

Features

- Antimicrobial finish inhibits the growth of mold-, mildew-, stain-, and odor-causing bacteria on the fixture surface. This product does not protect users against bacteria, viruses, or other disease organisms. Always clean and wash this product thoroughly before and after each use
- Ideal for healthcare and education installations
- 8" (203 mm) widespread faucet holes
- Oval basin
- Overflow drain
- Includes wall hanger
- Combination consists of the K-1997-SS8 basin and the K-1998-SS shroud

Material

- Vitreous china

Installation

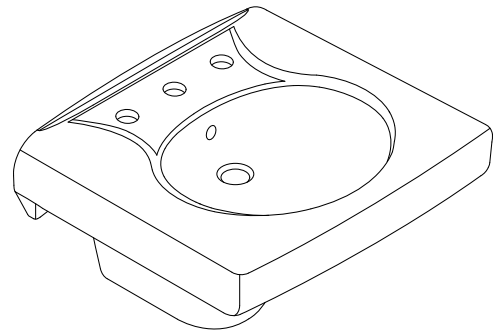
- Wall-mount
- Drilled for concealed arm carrier installation

Recommended Products/Accessories

- K-23726 Drain treatment
- K-23725 Cast iron cleaner

Optional Products/Accessories

- K-8998 P-Trap



ADA

CSA B651

OBC

Codes/Standards

ASME A112.19.2/CSA B45.1
ADA
ICC/ANSI A117.1
CSA B651
OBC


KOHLER® Vitreous China Bathroom Sink Lifetime Limited Warranty

See website for detailed warranty information.

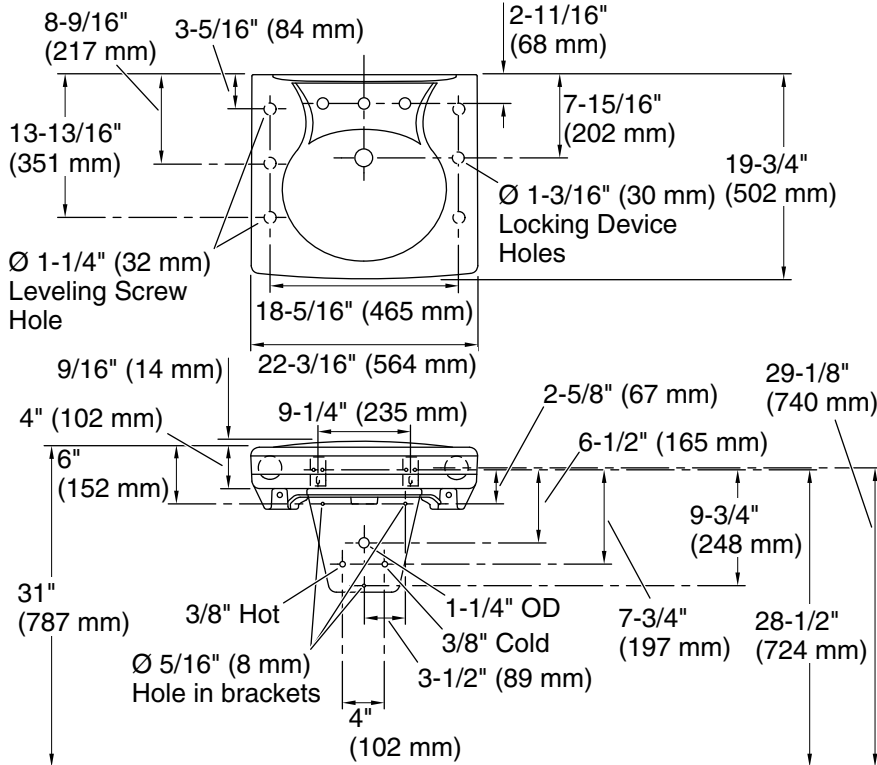
Available Colors/Finishes

Color tiles intended for reference only.

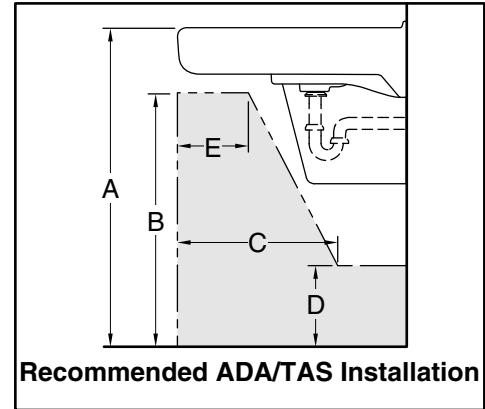
Color	Code	Description
-------	------	-------------

	0	White
---	---	-------

Concealed Arm Hole Location



Standard Installation



Recommended ADA/TAS Installation

Recommended ADA/TAS installation:

	ADA and TAS	Children's Environment ADA and TAS Ages 6-12 yrs
A	34" (864 mm)	31" (787 mm)
B	27" (686 mm)	24" (610 mm)
C	11" (279 mm)	11-1/16" (281 mm)
D	9" (229 mm)	9-1/16" (230 mm)
E	8" (203 mm)	8-1/16" (205 mm)

Technical Information

All product dimensions are nominal.

- Basin configuration: Single Bowl
- Center(s): 8" (203 mm)
- Bowl area: Length: 14-3/8" (365 mm)
Width: 12-5/16" (313 mm)
Water depth: 3-1/4" (83 mm)
- With overflow: Yes
- Number of deck holes: 3
- Faucet hole(s): 1-3/8" (35 mm)
- Drain hole: 1-3/4" (44 mm)

Notes

Install this product according to the installation instructions.

ADA, OBC, CSA B651 compliant when installed to the specific requirements of these regulations.