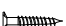


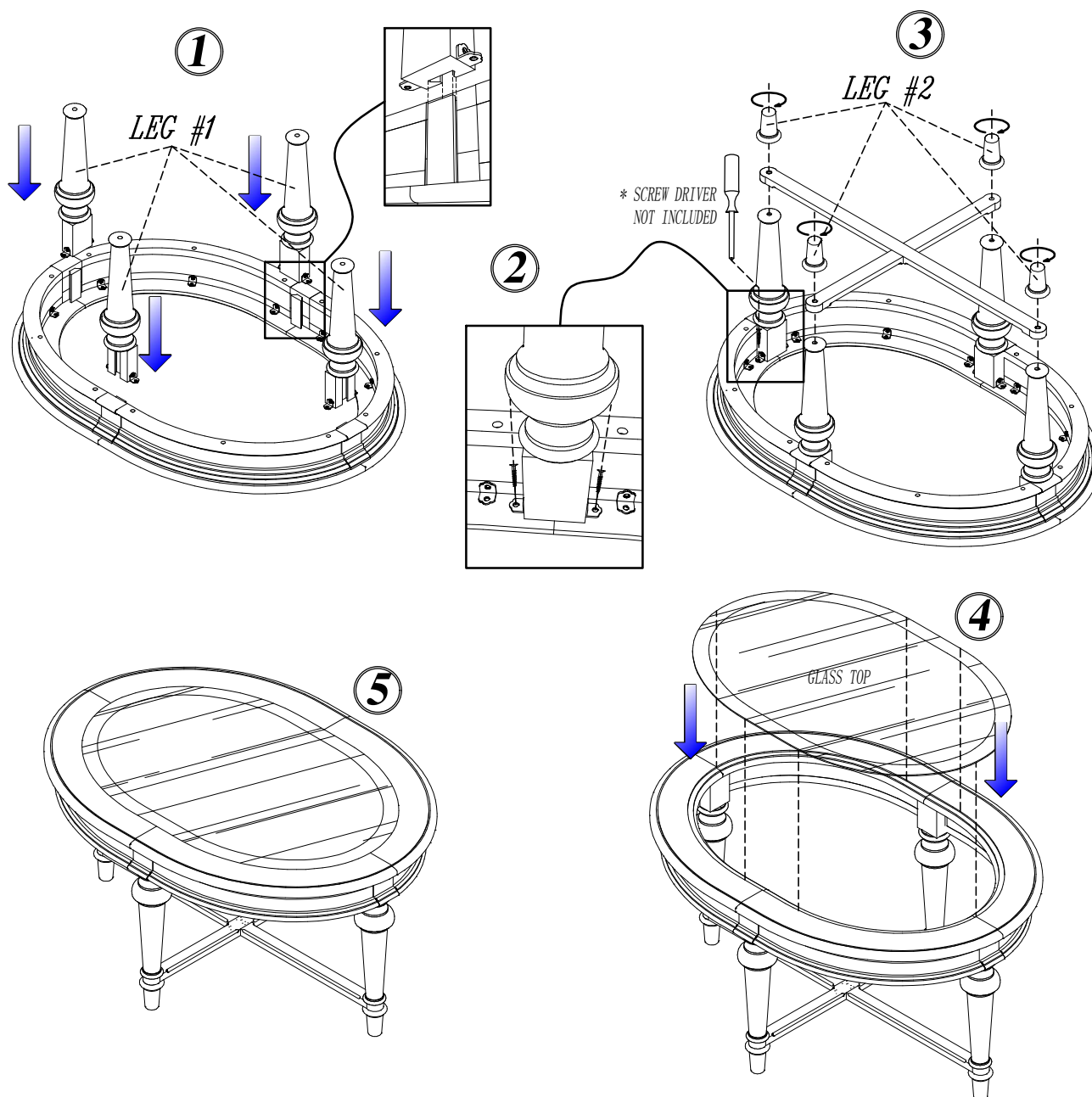
HEKMAN

A HOWARD MILLER COMPANY

ASSEMBLY INSTRUCTIONS

25200 - SMALL COFFEE TABLE

NO.	Hardware List	Q'ty
A	 Screw 8 x 1 1/4	8



PLACE THE SMALL COFFEE TABLE UPSIDE DOWN ON SOFT AND CLEAN SURFACE TO PREVENT SCRATCHING

1. ATTACH THE FOUR LEGS (#1) TO THE TABLE TOP
2. SECURE THE FOUR LEGS WITH SCREW (A) INTO THE METAL BRACKET
*SCREW DRIVER NOT INCLUDED
3. ASSEMBLE THE X STRETCHER TO THE FOUR LEGS (#1) WITH FEET (#2)
4. SET THE SMALL COFFEE TABLE UPRIGHT AND PUT THE TOP GLASS ON THE SURFACE FRAME
5. ASSEMBLY COMPLETE

MADE IN INDONESIA