

# DLQ5-MA

## 5" Multi-Adjustable LED Downlight | New Construction

### Product Description

The DLQ5-MA Multi-Adjustable Series is a modern, square architectural solution for lighting commercial, retail, and institutional spaces in the new construction market where high efficiency, low energy lighting is desired. This multi-adjustable downlight can be pivoted on both the X and Y axis making it a very flexible option for wall wash and sloped ceilings. For precise aiming, manual tilt adjustments range from 0°- 83° and rotation up to 353° which are easily adjusted all from below the ceiling. Utilizing high efficiency LED technology to balance color for natural white light and offering greater than 90 CRI, the high efficacy and exceptional color rendering make this luminaire an ideal choice for hotels, art galleries, photo and film studios, conference rooms, corridors, lobbies, and large offices. Constructed with a durable galvanized steel frame and adjustable hanger bars, the DLQ5 Series fits securely and installs easily into most any space.

#### Construction

- Die cast aluminum module routes heat away from electrical components.
- Durable galvanized steel frame, with adjustable hanger bars to fit securely into most spaces

#### Optical System

- Polystyrene diffuser and reflector cone create a uniform light distribution that reduces glare without sacrificing lumen output

#### Electrical

- Utilizes high performing LEDs with greater than 90 CRI and an R9 greater than 50
- 353°/83° range of motion allows ability to aim light exactly where it's needed
- Dimmable to 10% with most standard triac dimmers
- Thermally protected, high efficiency driver standard
- Operating temperature rating of 0°F to 120°F (-18°C – 49°C)
- Input voltage of 120V
- TM-21 Projected L70(6K) life 50,000 hours
- LM-79, LM-80 testing performed in accordance with IESNA standards

#### Finish

- Galvanized steel frame
- Interior high reflective finish
- White metal trim
- Also available in Black, Oil-Rubbed Bronze and Nickel

#### Frame Installation

- NICOR captive hanger bars allow housing to be positioned at any point within a 24" joist span
- Unique hanger bar lip design helps align can to joist
- Four double-headed captive nails provide for ease of installation
- Bars can be repositioned 90° on plaster frame without tools
- Score lines allow bars to be shortened without tools to accommodate a 12" joist span

#### Module and Trim Installation

- Quick and easy installation with torsion spring mounting system.

#### Warranty

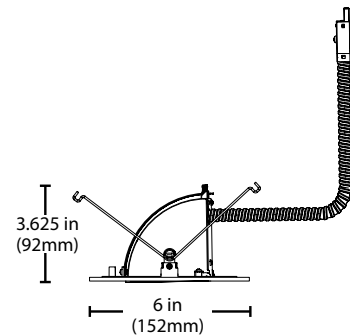
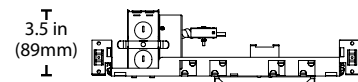
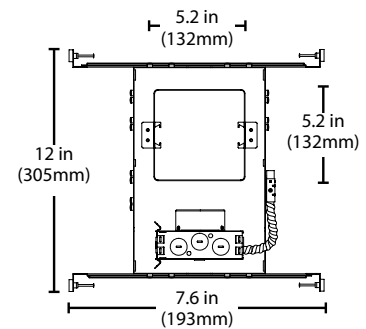
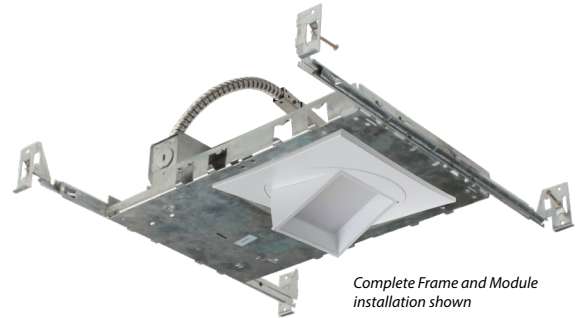
- 5-year limited system warranty standard.

Project

Catalog

Type

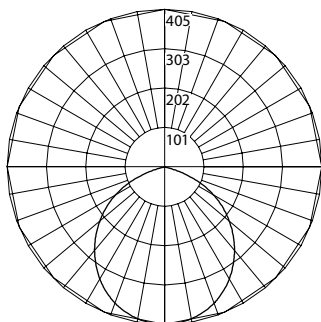
Date



## Photometric Data

### DLQ5-MA 2700K

Input Voltage (VAC)	120V
System Level Power (W)	16.0
Delivered Lumens (Lm)	1024
System Efficacy (Lm/W)	64.0
Correlated Color Temp (K)	2689
Color Rendering Index (CRI)	91
Beam Angle	105°
Spacing Criteria	1.24



#### Intensity Summary (Candle Power)

Angle	Mean CP
0	404
5	402
15	386
25	355
35	309
45	252
55	187
65	114
75	35
85	6
90	0

#### Cone of Light Tabulation

Mounted height (Feet)	Footcandles Beam Center	Diameter (Feet)
4	25.3	5.0
6	11.2	7.4
8	6.3	9.8
10	4.1	12.0
12	2.8	15.0
14	2.0	18.0
16	1.6	19.0

#### Zonal Lumen Summary

Zone	Lumens	% of Luminaire
0-30	310	30.3%
0-40	503	49.2%
0-60	864	84.4%
0-90	1024	100.0%
90-180	0	0.0%
0-180	1024	100.0%

Fixture tested per LM-79-08. Photometric data is of the performance of a representative fixture. Results may vary in the field.

#### Performance Data

Model Number	Lumens	Watts	Lumens/Watt
DLQ5-MA-FIXT-2K-WH	1024	16.0	64.0
DLQ5-MA-FIXT-3K-WH	1070	16.0	66.9
DLQ5-MA-FIXT-4K-WH	1140	16.0	71.3

#### Recommended Dimmers\*

Lutron DIVA DVELV-300P  
Lutron DIVA DVELV-303P  
Lutron Skylark SELV-300P

\*Not a complete list. Check compatibility before installation.

## Ordering Information

Includes Light Module and Frame, boxed separately

Example: DLQ5-MA-FIXT-3K-WH

Series	Complete Fixture (Downlight Module & Frame)	CCT's   Trim
DLQ5-MA	FIXT	2K-WH (2700)
		3K-WH (3000)
		4K-WH (4000)

Component	Part Number	Trim	Description
DOWNLIGHT MODULE	DLQ5-MA-10-120-2K	WH(white)	2700K 5" Multi-adjustable Square Module
	DLQ5-MA-10-120-3K	BK (black)*	3000K 5" Multi-adjustable Square Module
	DLQ5-MA-10-120-4K	NK (nickel)*	4000K 5" Multi-adjustable Square Module
		OB (oil-rubbed bronze)*	
FRAME	DLQ5-10-FRAME		5" Square Frame

Specifications and dimensions subject to change without notice.