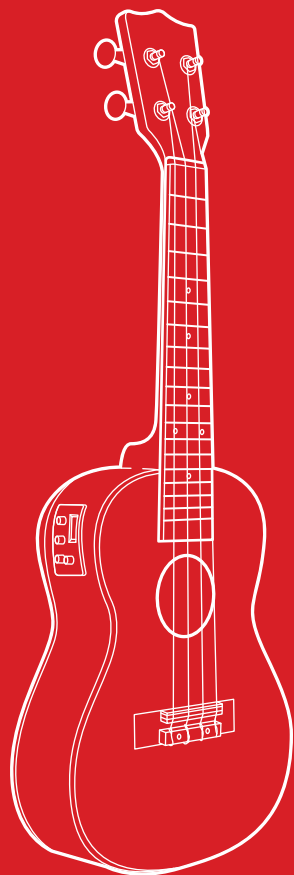




bestchoiceproducts



INSTRUCTION MANUAL

Acoustic Electric Ukulele



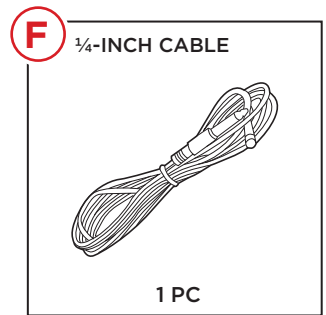
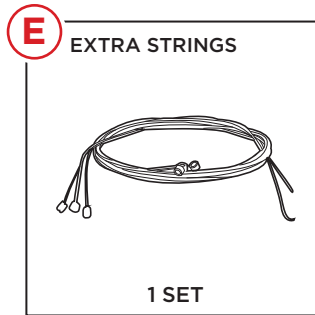
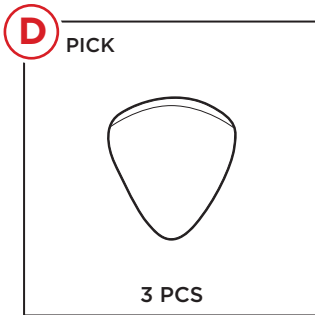
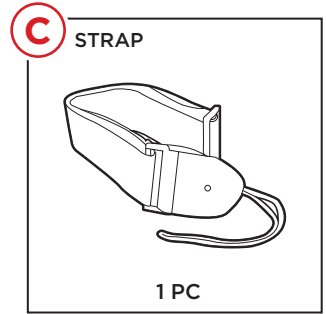
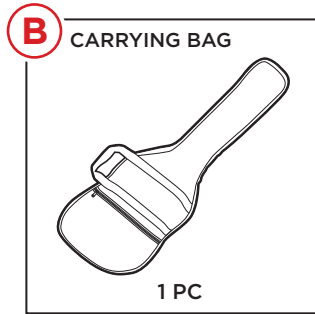
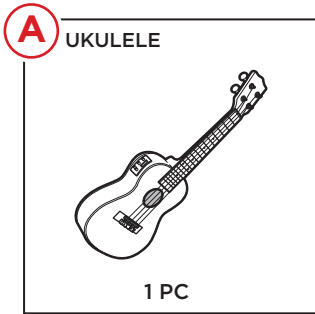
bestchoiceproducts

As shoppers, we're always trying to find the perfect balance between quality & value. At BCP, we believe we've achieved that. Our diverse catalog of everyday essentials is tailored especially to our customers & guaranteed to hit that sweet spot of high quality & low price.

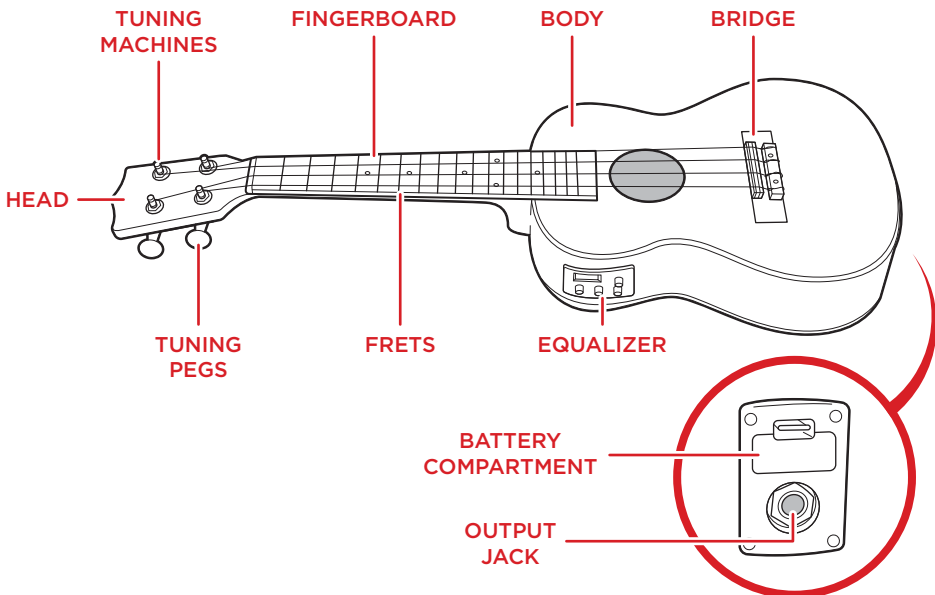
— Always. —

PARTS

Please retain these instructions for future reference.

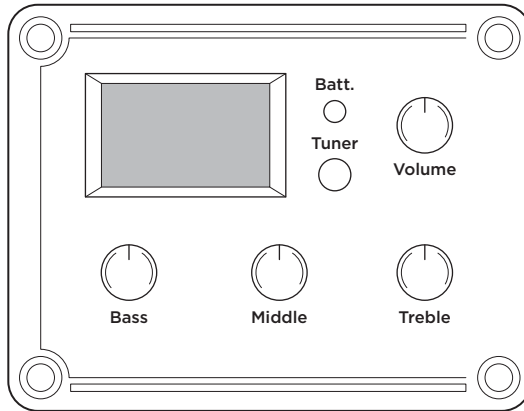


DIAGRAM



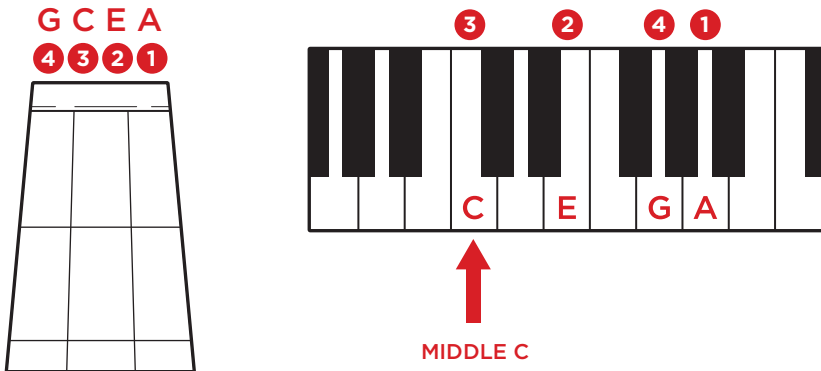
EQUALIZER

- **TUNER:** Turn on chromatic tuner and use the display to tune ukulele



TUNING STRINGS

1. Install two **3V CR2032** batteries (not included) in the battery compartment.
 2. Use the tuner on the equalizer to tune the strings accordingly.
- Standard ukulele tuning is as follows: G, C, E, A



STRING MAINTENANCE

If Strings Are Difficult To Play Or Do Not Play Correctly:

Replacing strings can remedy many problems involving poor sound. All strings can be changed at once if necessary or strings can be changed individually. It is not necessary to change all strings at once. To change an ukulele string, the old string should be completely removed before attaching the new string. After the new string is attached, the ukulele will need to be re-tuned.

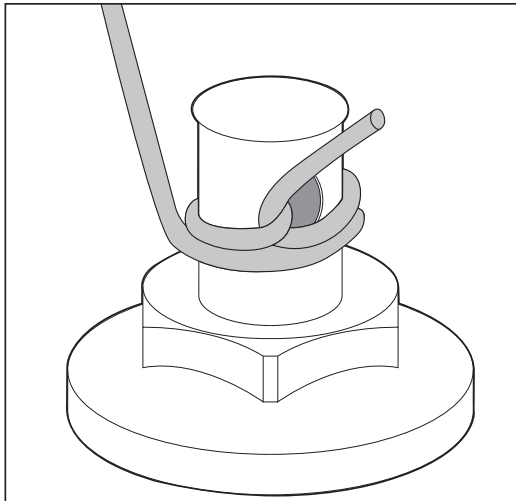
CHANGING STRINGS

Removing Old Strings:

1. To remove an ukulele string, find the tuning peg/tuning machine that the string is attached to. Loosen the string by winding the tuning peg until the string has no tension.
2. Continue to wind the string loose until the string can be pulled loose from the top. The strings can be removed via the bridge at the bottom of the ukulele.
3. If you do not wish to use the old string again, you can cut the string with wire cutters. If you choose to do this, be careful and hold the string securely next to the cut; otherwise, the string will pop up and can potentially harm you.

Installing New Strings:

1. Locate the proper string to replace your old string. Feed the string through the bridge and tie it.
2. Secure the string to the appropriate tuning peg. To do so, make sure the eye/hole of the tuning machine is parallel to the neck/headstock of the ukulele. Feed the string through the eye of the tuning machine and pull the string fairly taut. The string should have a bit of slack.
3. While holding the string taut, secure it to the tuning machine by turning the corresponding tuning peg to wrap the string around. For extra security, route the string through itself on the initial wrap around (see diagram).
4. Begin to tune the string by winding the tuning peg until the desired sound is produced. After reaching the desired tone, pull the string lightly. The string will go slightly out of tune. Readjust the tuning peg until receiving the desired tone again. Repeat the process a few more times. This will ensure that your string will stay in tune while playing.
5. You may cut off the excess string, but it is important to leave some excess still attached (about ¼-1 inch) in case the ukulele string needs to be restrung again. Remember, it is easy to cut more off later, but impossible to add string back.



CARE

Dust and other foreign matter can harm the quality of your ukulele. Make sure to regularly clean and maintain your ukulele, including around the tuning machines and bridge. To clean your ukulele, use a dry, soft cloth. Do not leave your ukulele exposed to the sunlight or elements and be aware that ukuleles are made of wood and are therefore sensitive to changes in temperature, humidity, and altitude.



bestchoiceproducts

Check out more great products:
[bestchoiceproducts.com](https://www.bestchoiceproducts.com)

Earn points while you shop. Join today!

bestchoiceproducts
rewards

Join | Earn | Redeem

Give your friends 15% off their first order! For each successful referral you'll receive 100 points.

bestchoiceproducts.com



HELP CENTER



Question about your product? We're here to help. Visit us at:

help.bestchoiceproducts.com



Chat Support



Product Inquiry



Orders FAQ



Product Assembly



Returns & Refunds

PRODUCT WARRANTY INFORMATION

All items can be returned for any reason within 60 days of the receipt and will receive a full refund as long as the item is returned in its original product packaging and all accessories from its original shipment are included. All returned items will receive a full refund back to the original payment method. All returned items will not be charged a re-stocking fee.

All returned items require an RA (Return Authorization) number, which can only be provided by a Best Choice Products Customer Service Representative when the return request is submitted. Items received without an RA may not be accepted or may increase your return processing time. Once an item has been received by Best Choice Products, refunds or replacements will be processed within 5 business days.

All returns must be shipped back to the Best Choice Products Return Center at the customer's expense. If the reason for return is a result of an error by Best Choice Products then Best Choice Products will provide a pre-paid shipping label via email. Boxes for return shipping will not be provided by Best Choice Products, and is the customer's responsibility to either use the original shipping boxes or purchase new boxes.

Pictures may be required for some returns to ensure an item is not damaged prior to its return. Items returned are not considered undamaged until they are received by Best Choice Products and verified as such. All damages to items are the customer's responsibility until the item has been received by and acknowledge by Best Choice Products as undamaged.



WARNING

Manufacturer and seller expressly disclaim any and all liability for personal injury, property damage or loss, whether direct, indirect, or incidental, resulting from the incorrect attachment, improper use, inadequate maintenance, or neglect of this product.