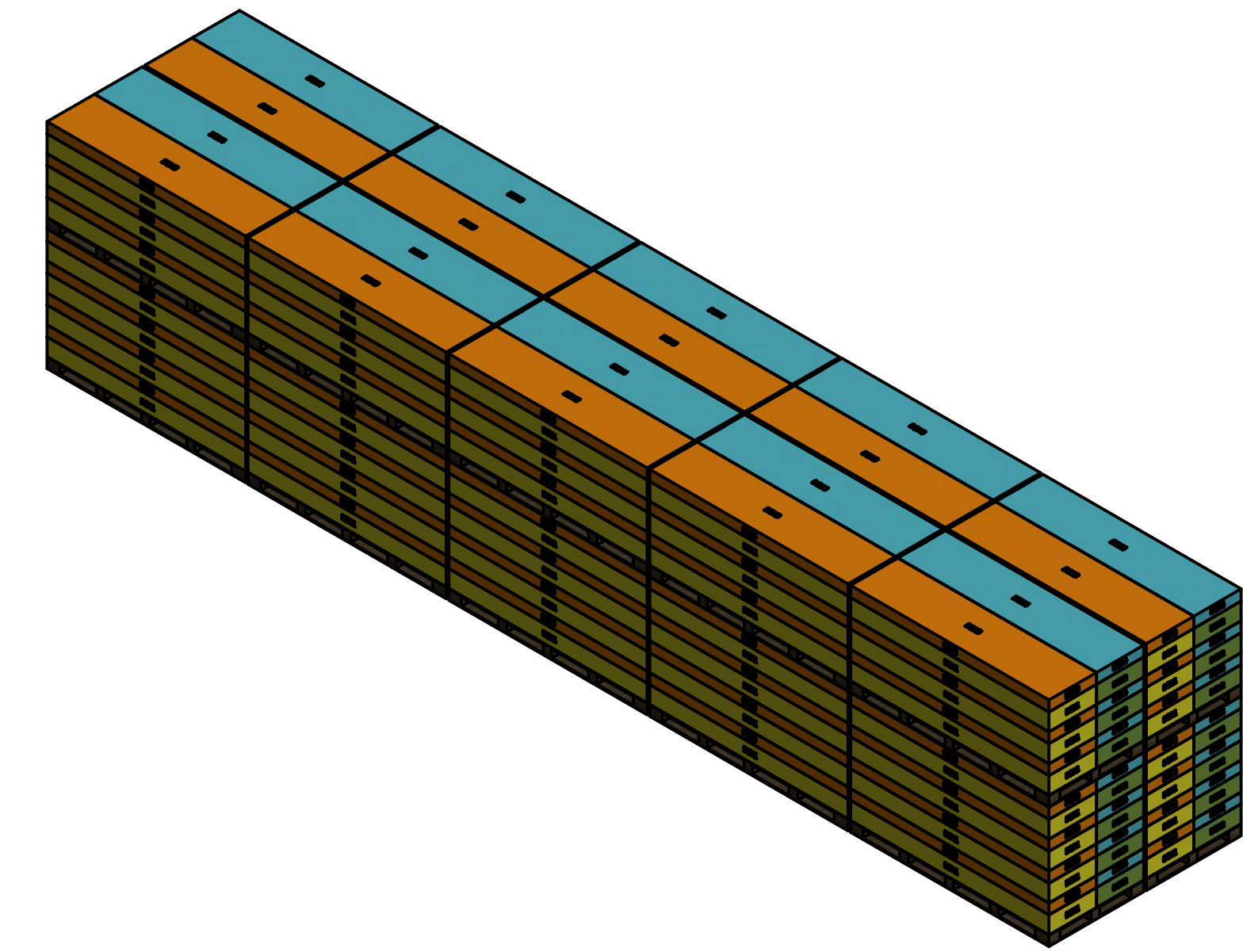
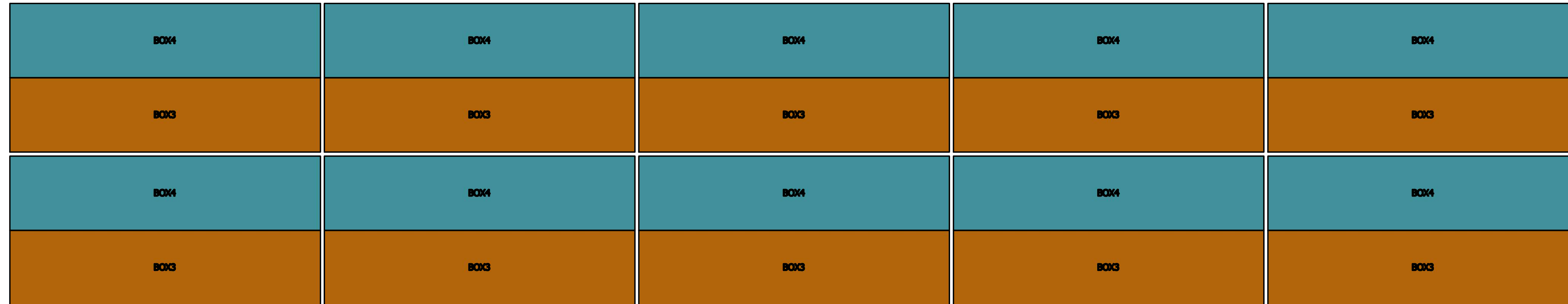


2101562 BEAUMONT PERGOLA 16x12 Container Loading Diagram

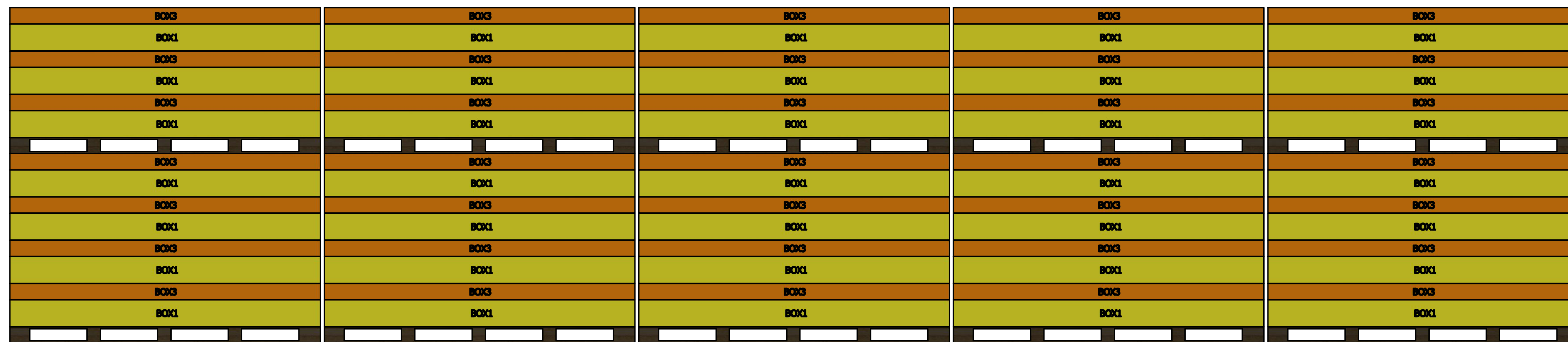
(1 set=4 boxes, 70 sets/40HQ, 20 pallets/ 40HQ, Gross weight: 18360kg)

Top view

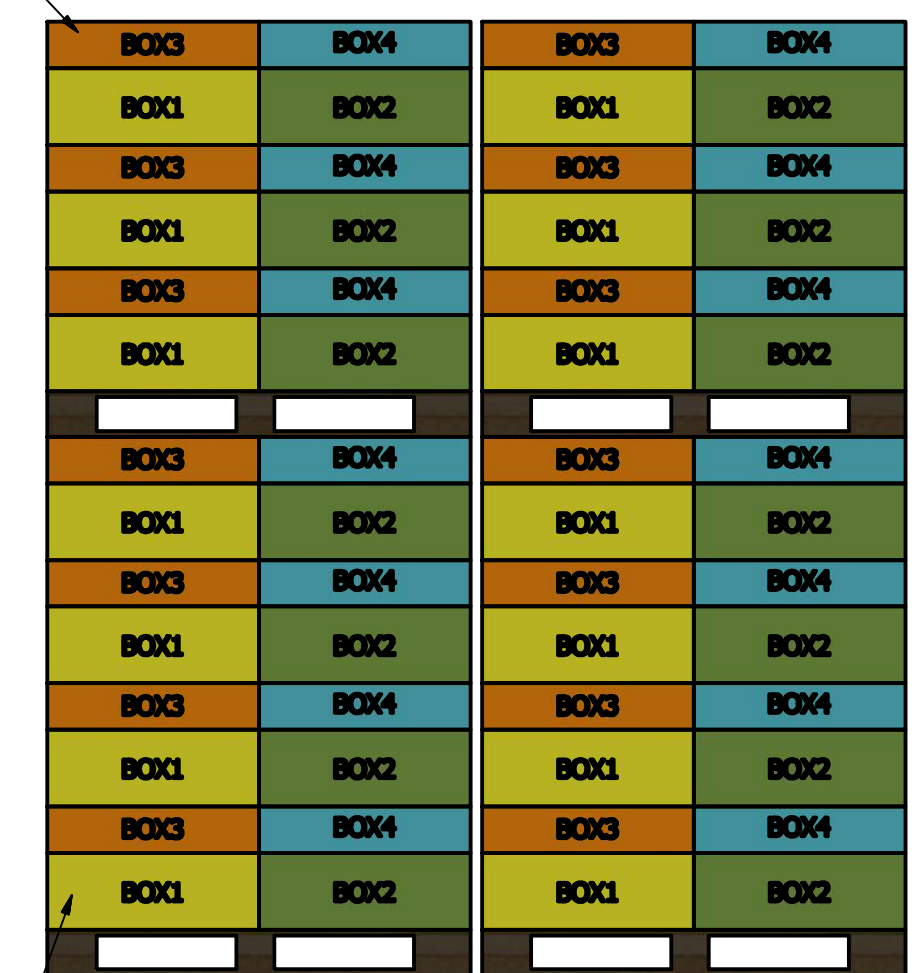


End view

Side view



Pallet B * 10

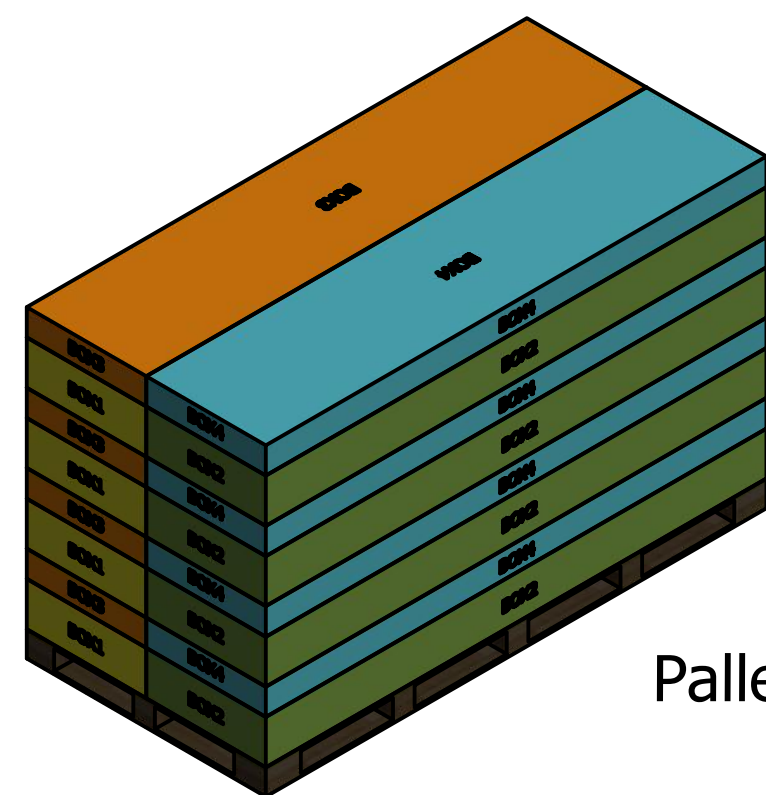


Pallet A * 10

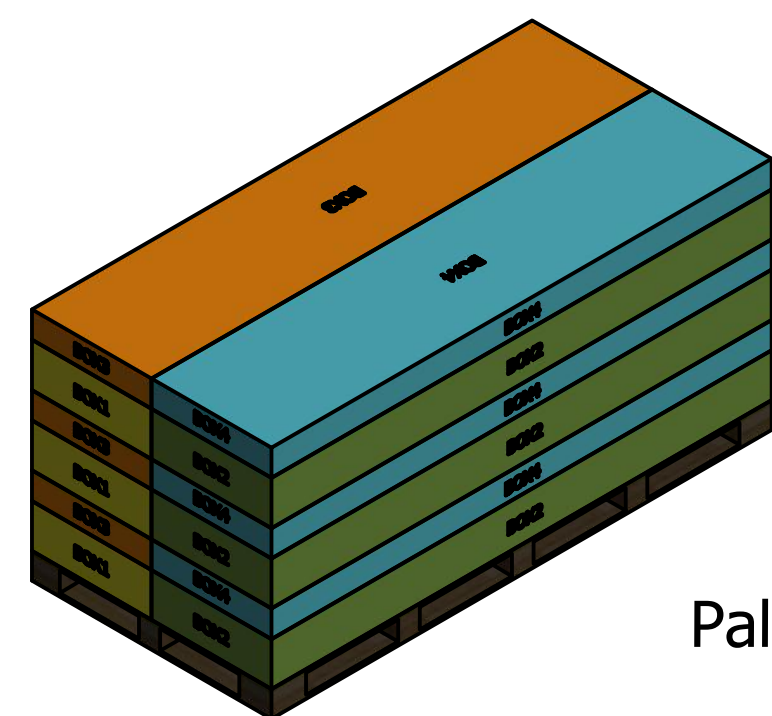
11820.00

2522.00

2270.00



Pallet A (4 sets/Pallet)

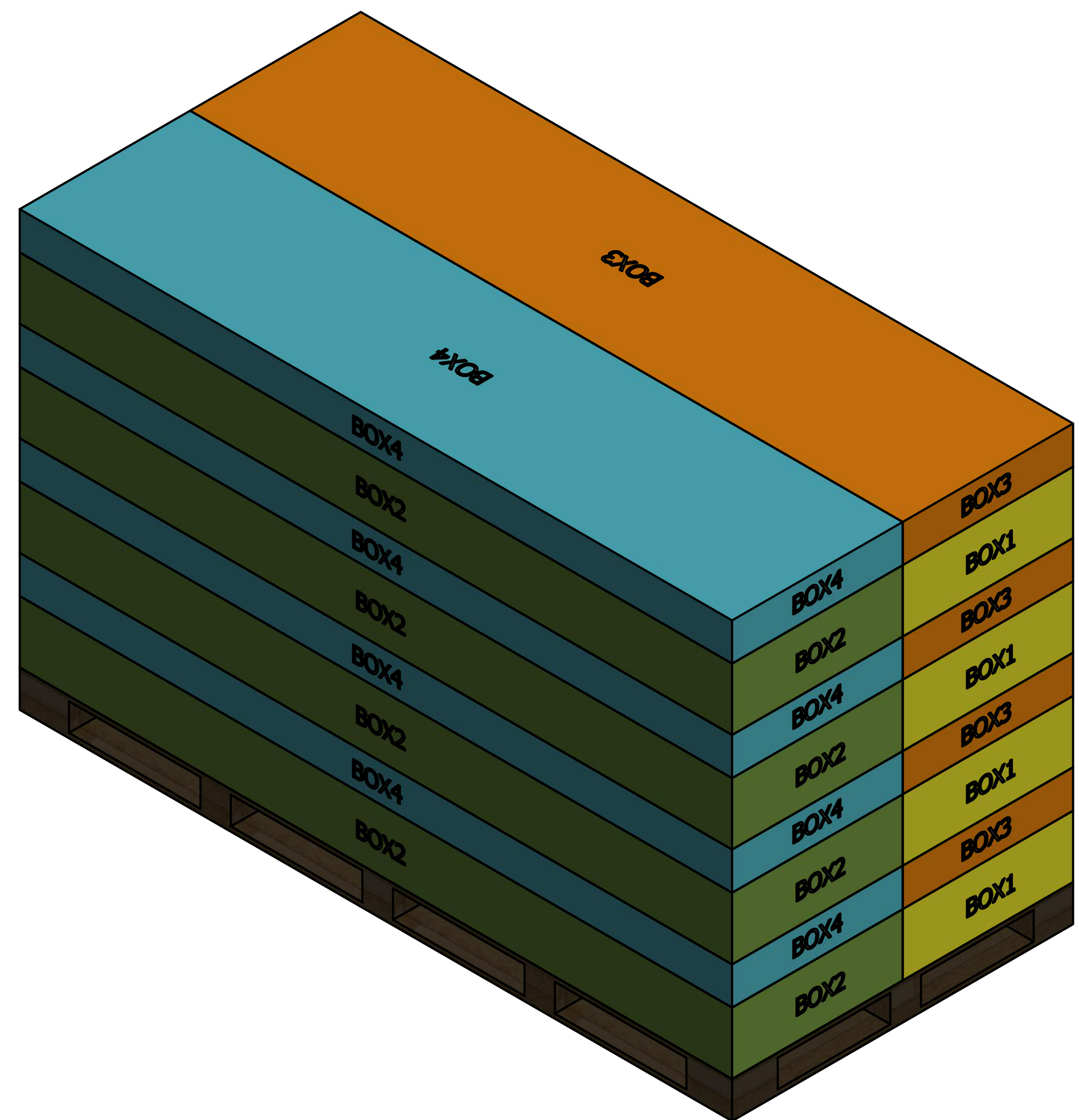
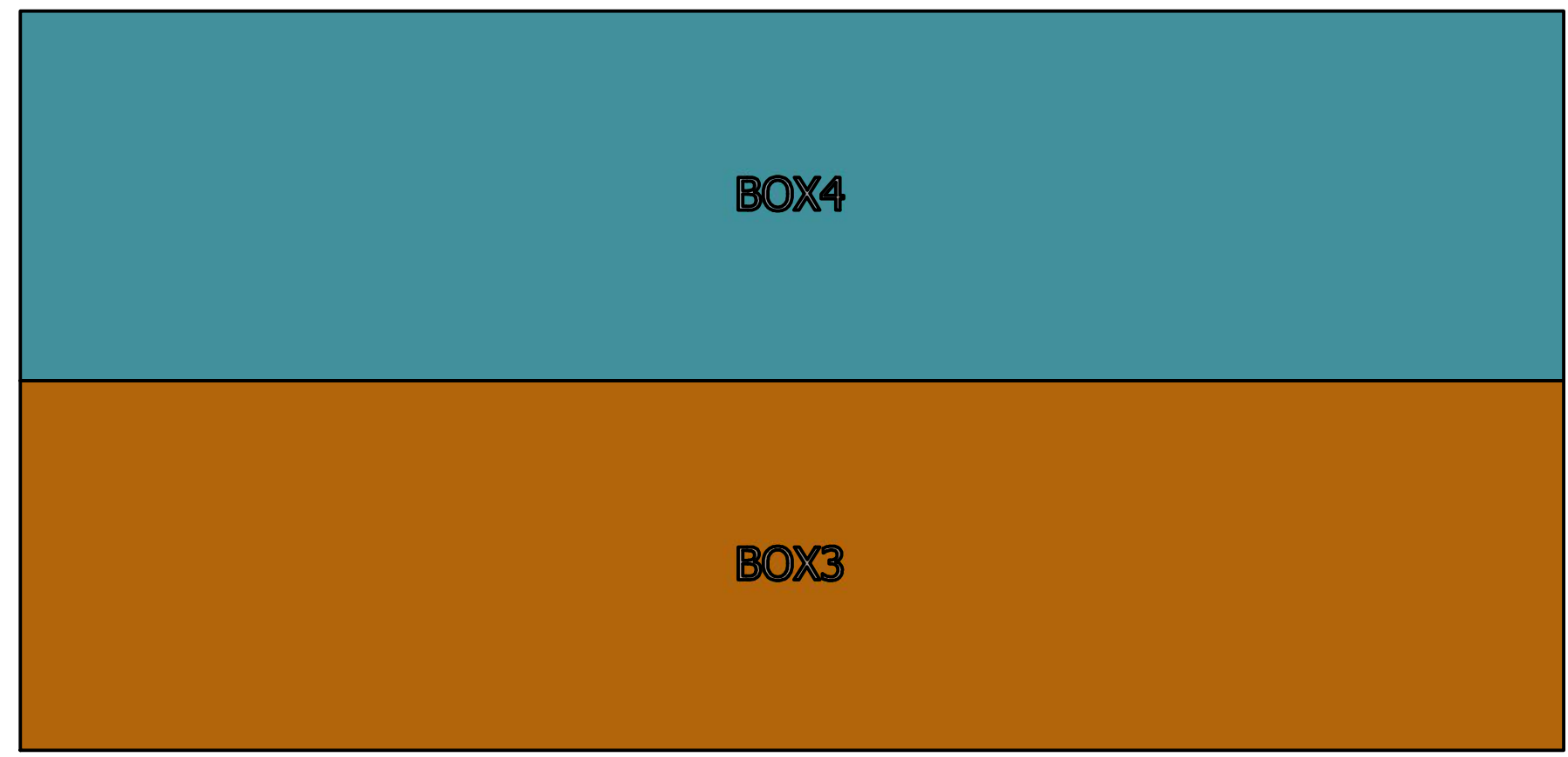


Pallet B (3 sets/Pallet)

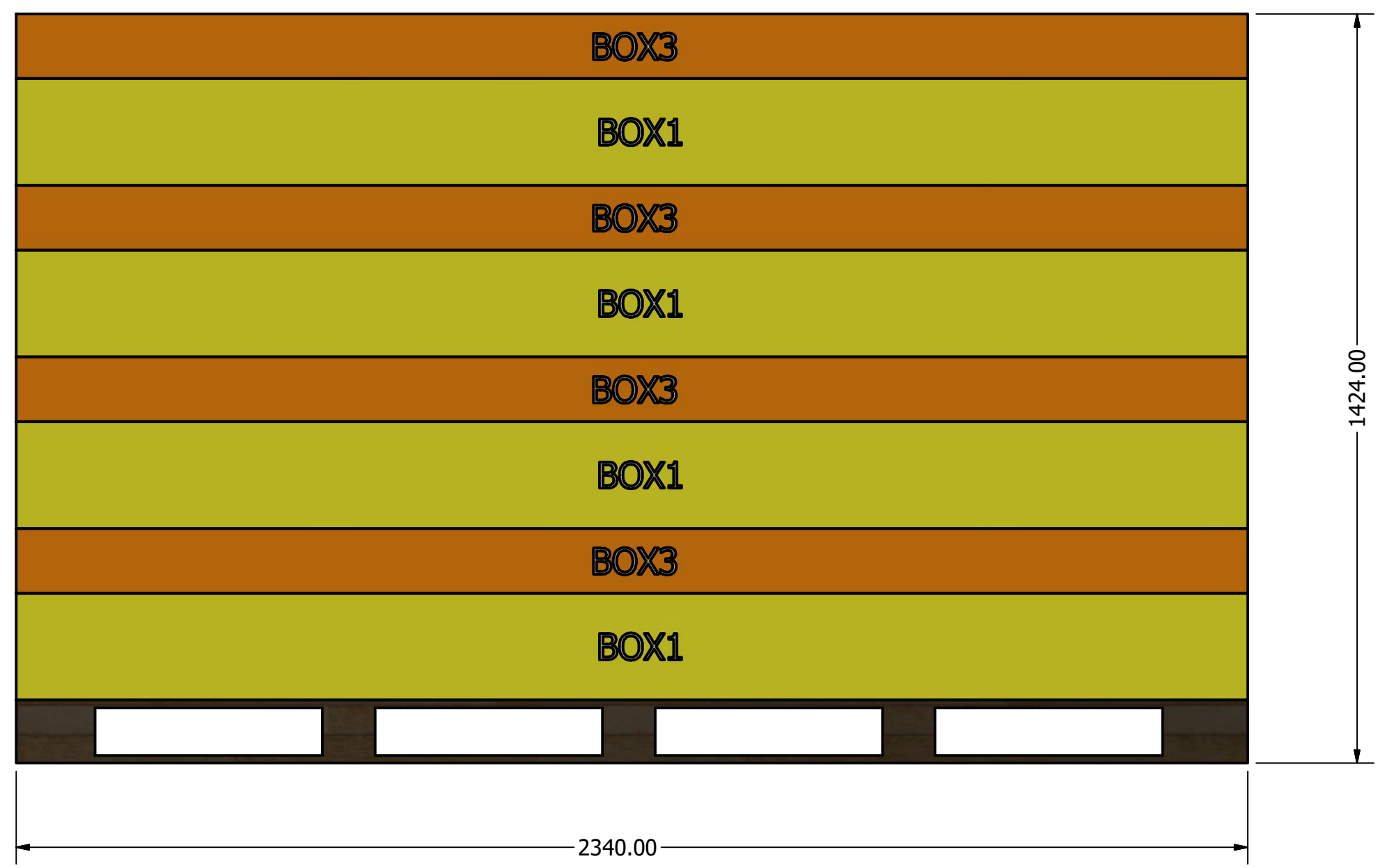
DRAWN Rudy		TITLE		
CHECKED				
QA				
MFG				
APPROVED				
		SIZE D	DWG NO	REV
		SCALE 0.04	SHEET 1 OF 1	

Pallet A detail (4 sets)

Top View



Side View



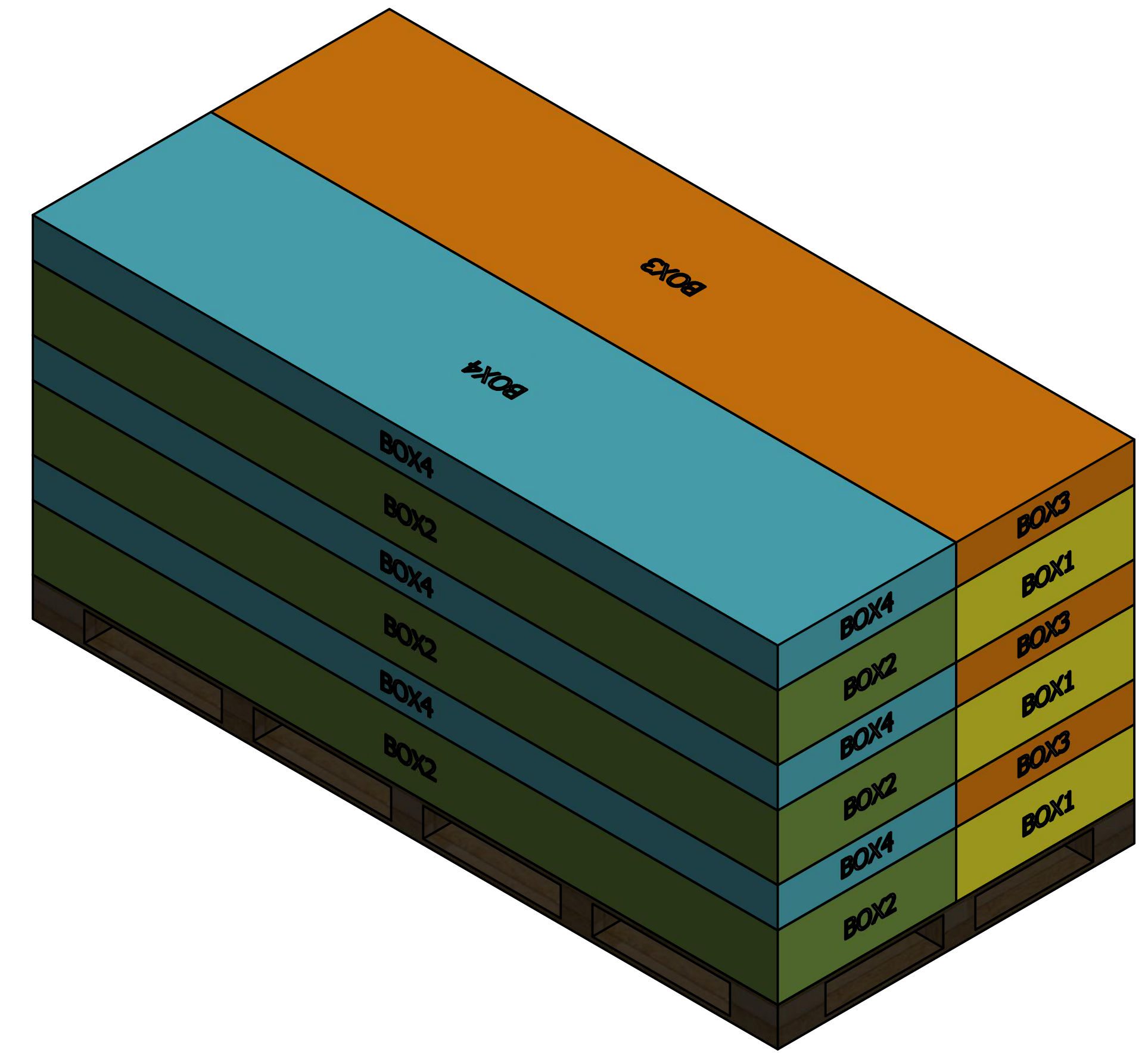
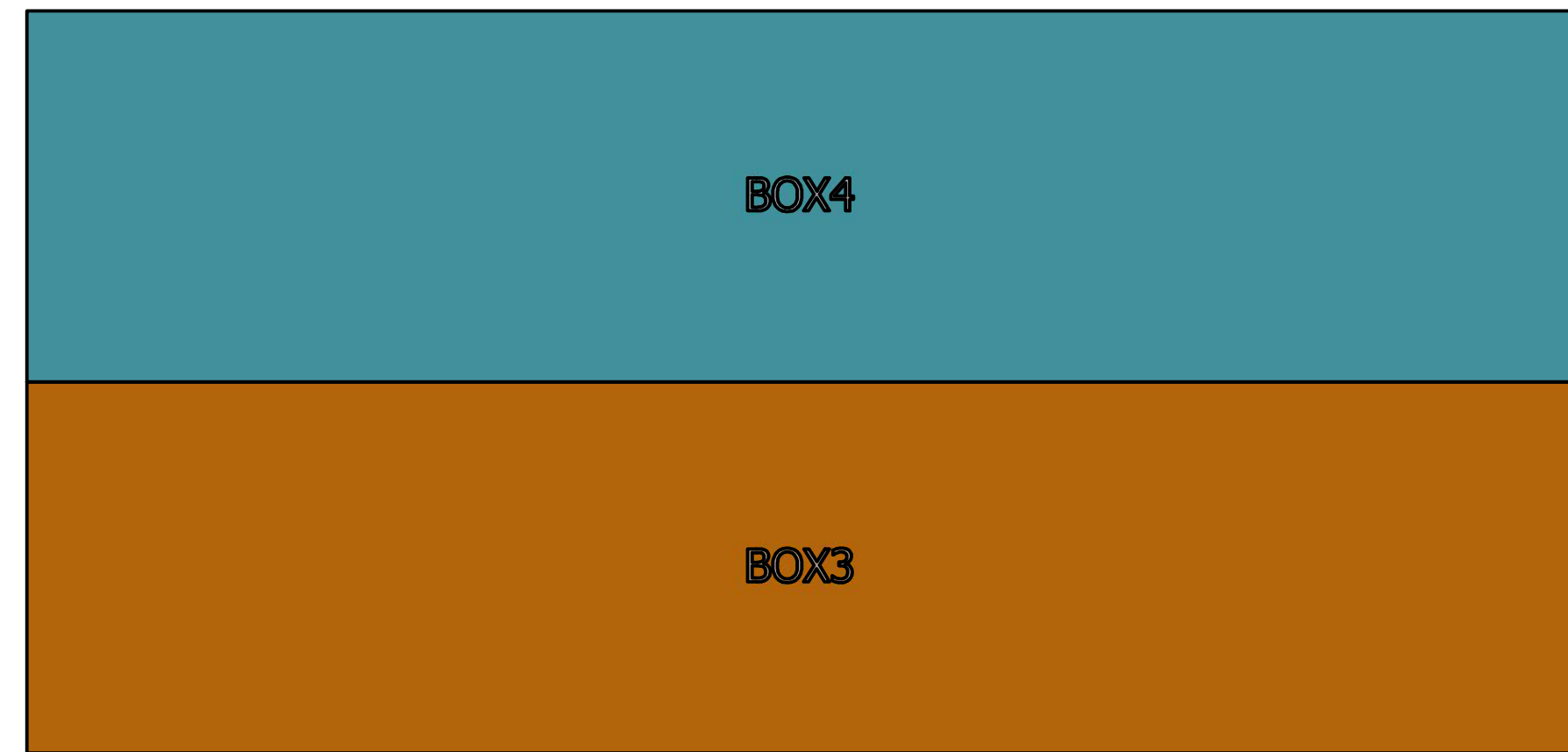
End View



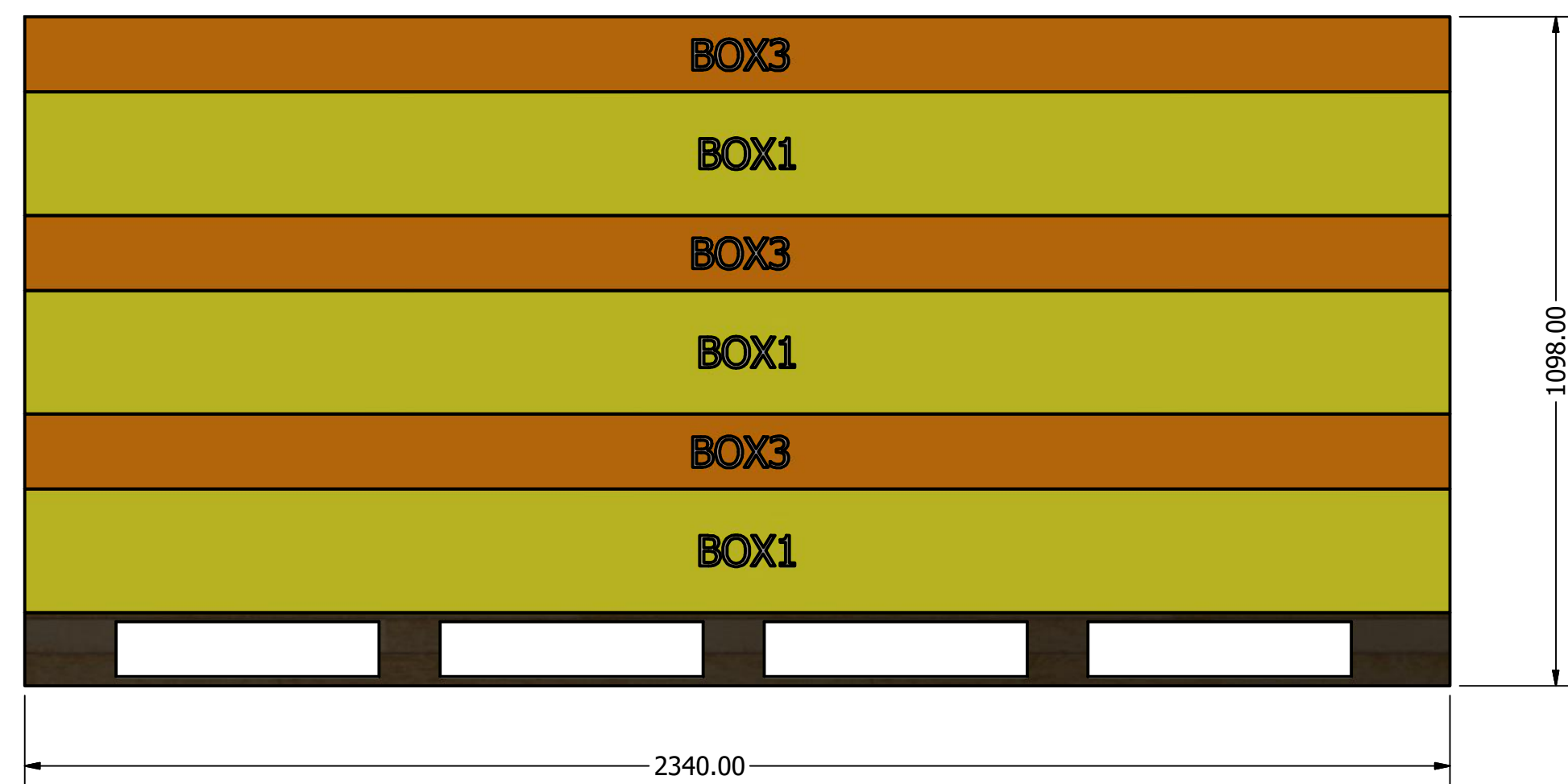
DRAWN Rudy		TITLE	
CHECKED		TITLE	
QA		TITLE	
MFG		TITLE	
APPROVED		TITLE	
		SIZE D	DWG NO Pallet A
		SCALE 0.1 : 1	REV
		SHEET 1 OF 1	

Pallet B detail (3 sets)

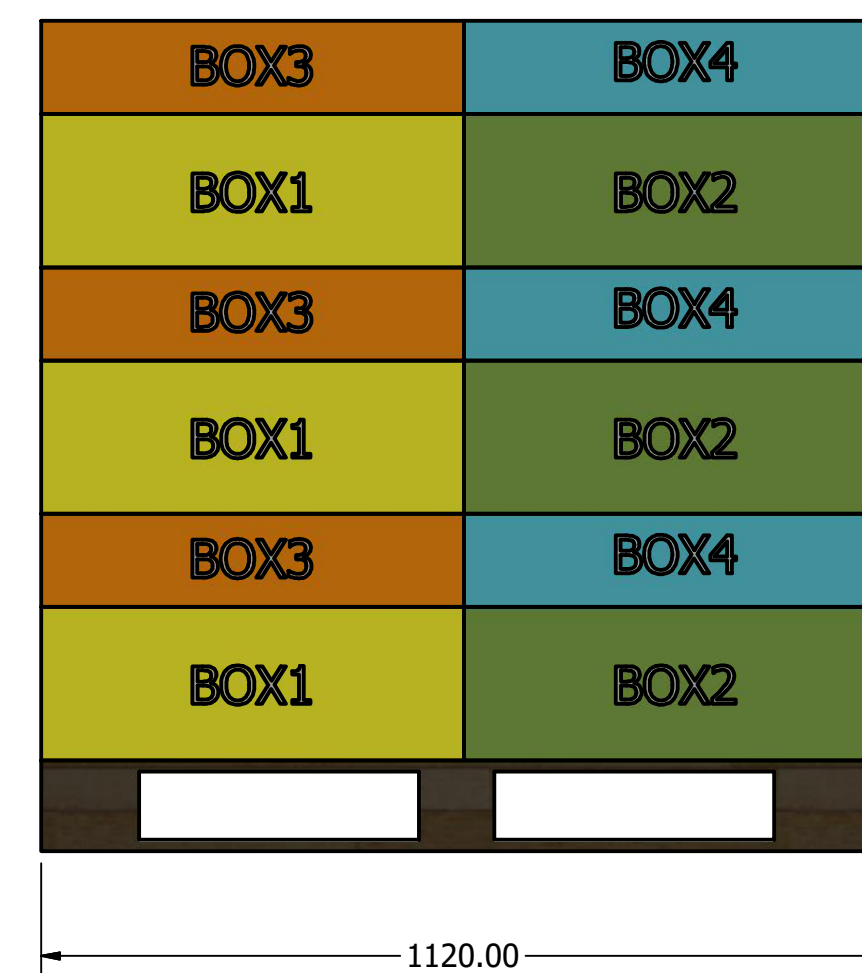
Top View



Side View

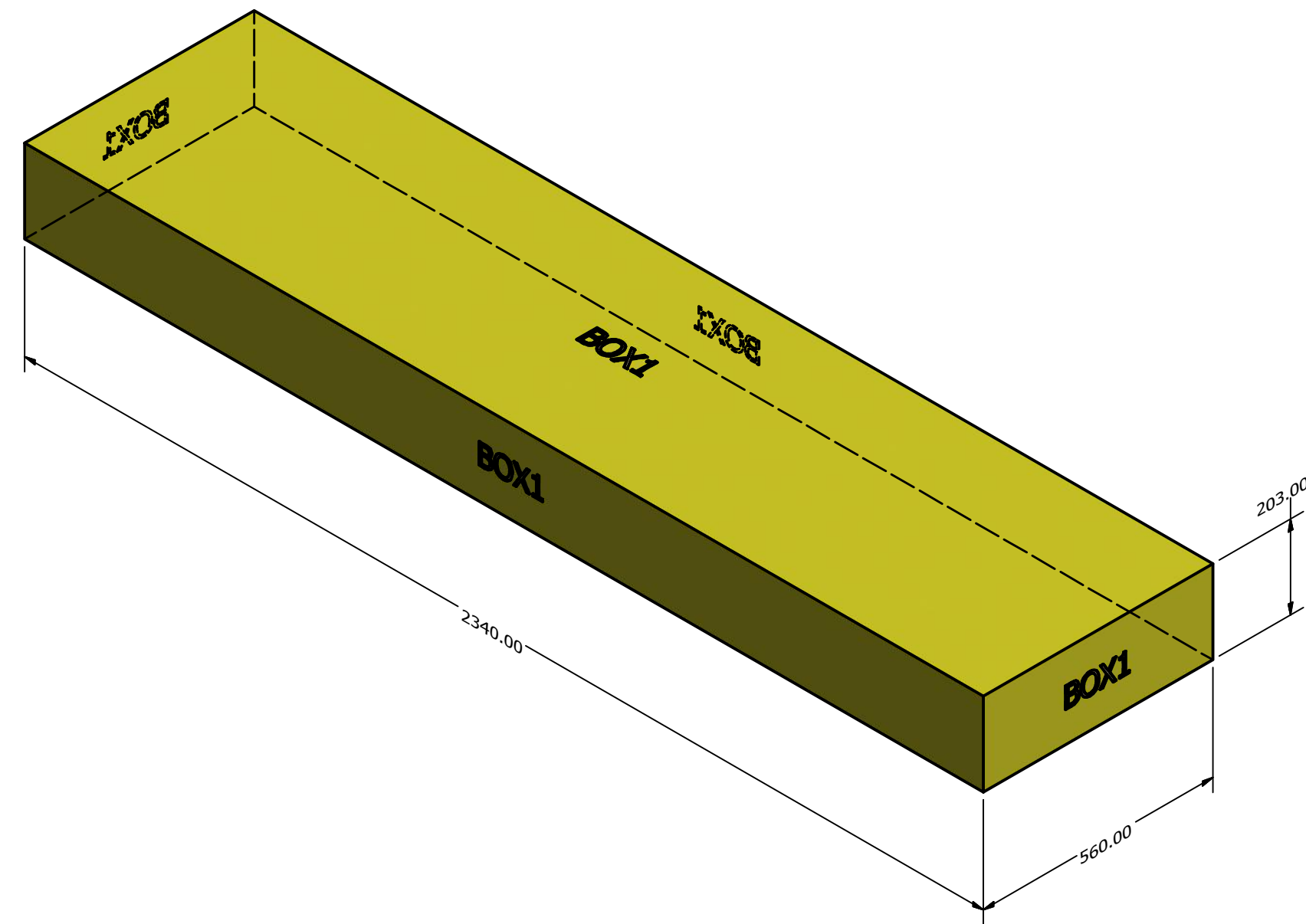


End View

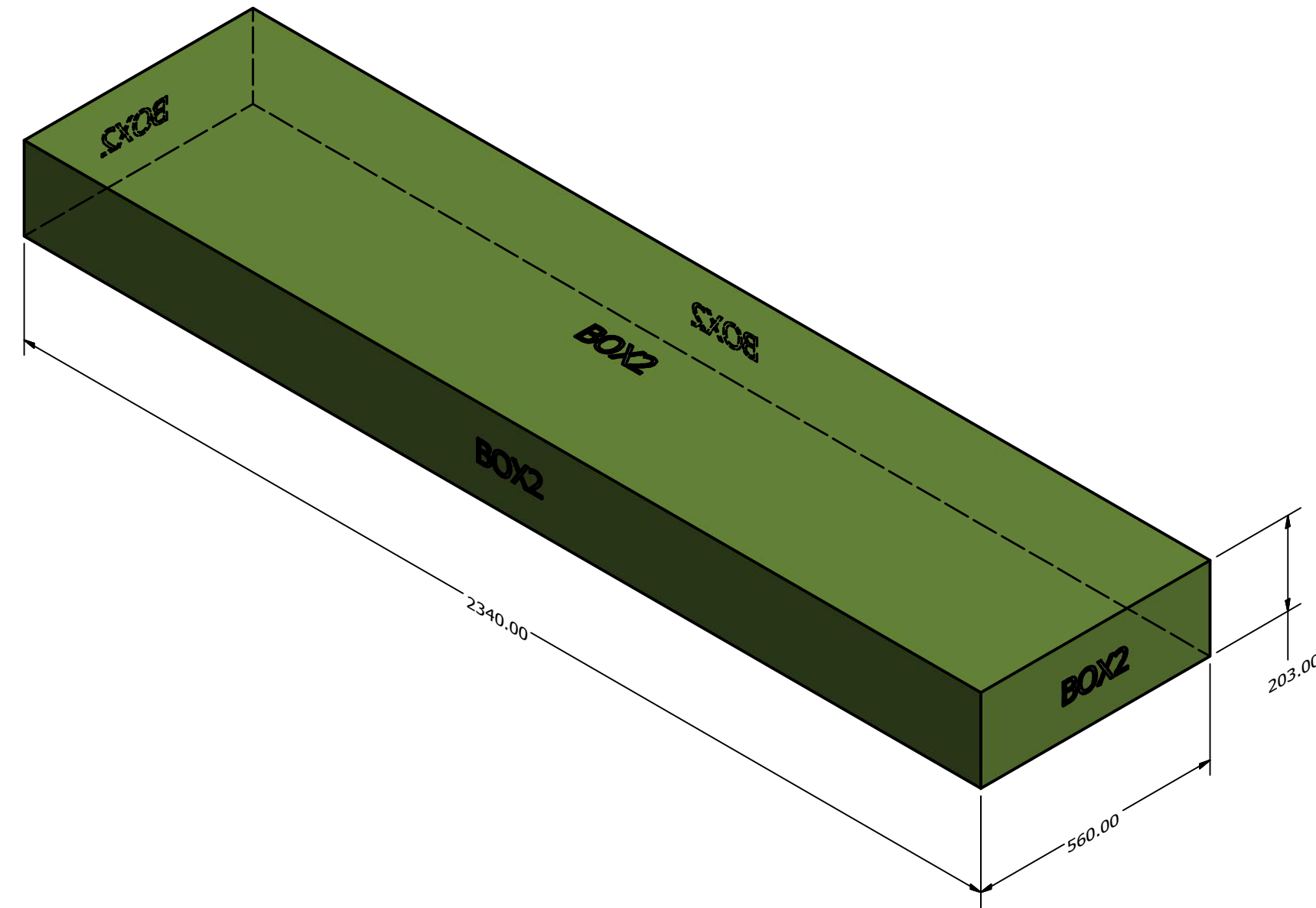


DRAWN Rudy		TITLE		
CHECKED				
QA				
MFG				
APPROVED		SIZE D	DWG NO Pallet B	REV
SCALE 0.1 : 1		SHEET 1 OF 1		

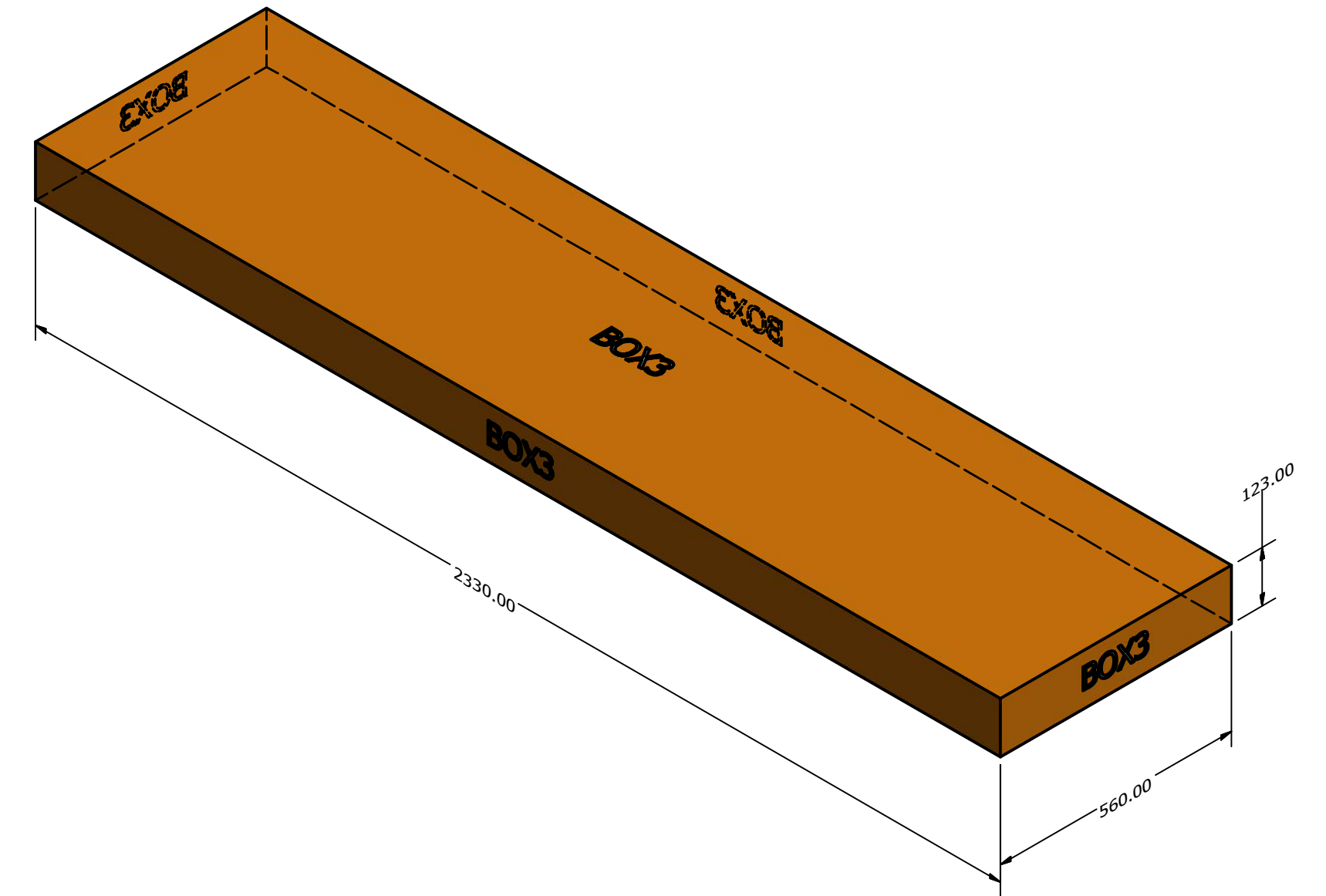
BOX1 (86KG)



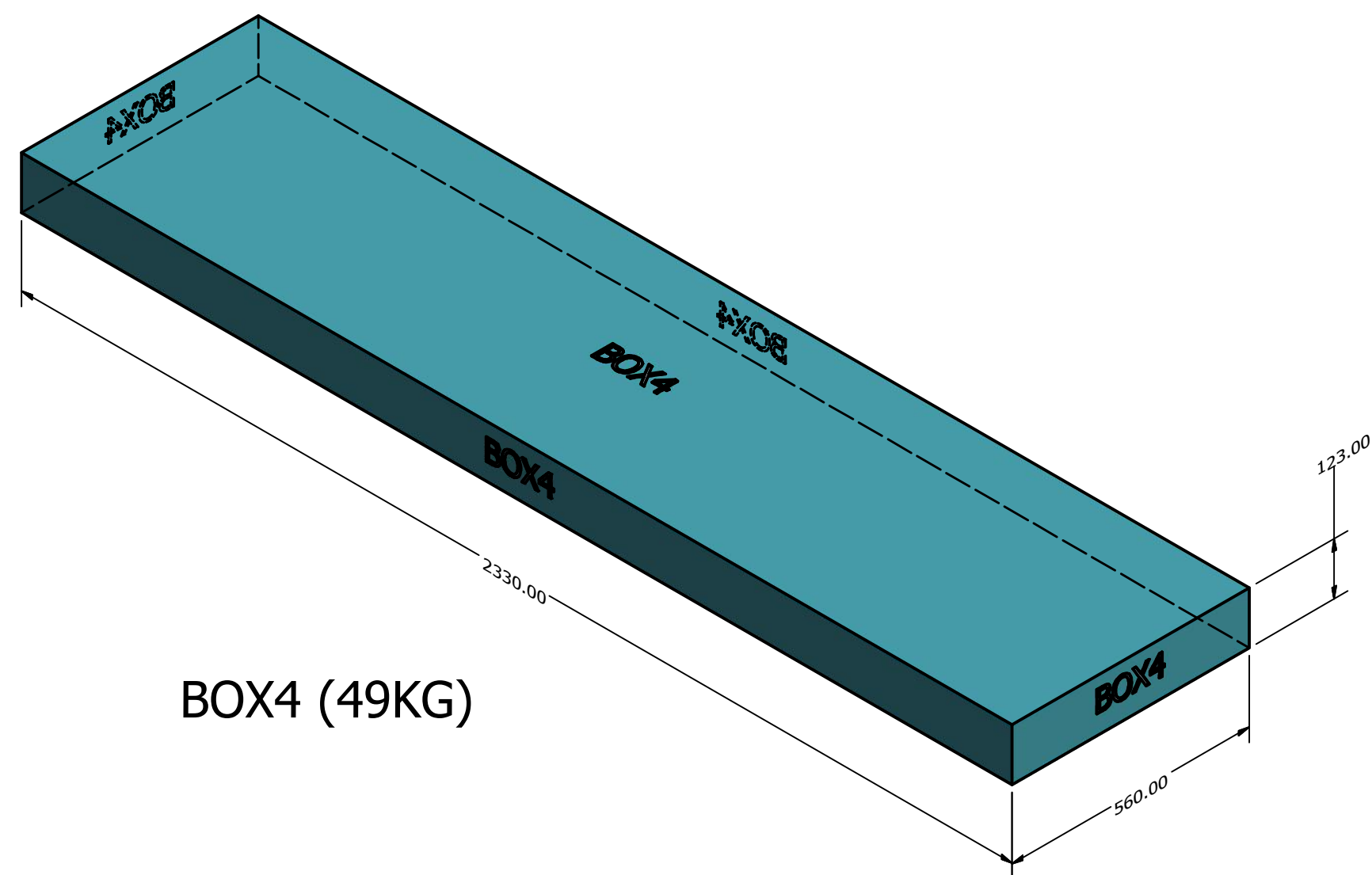
BOX2 (68KG)



BOX3 (45KG)



BOX4 (49KG)



DRAWN	Rudy	2019-11-13			
CHECKED			TITLE		
QA					
MFG					
APPROVED					
			SIZE	DWG NO	REV
			D	BOXES	
			SCALE	0.10	SHEET 1 OF 1