

Installation Instructions

Pendant Light

Record your model number:
Noter le numéro de modèle:
Anoté su número de modelo: _____

Français, page 9
Español, página 16

KOHLER[®]

Thank You for Choosing KOHLER

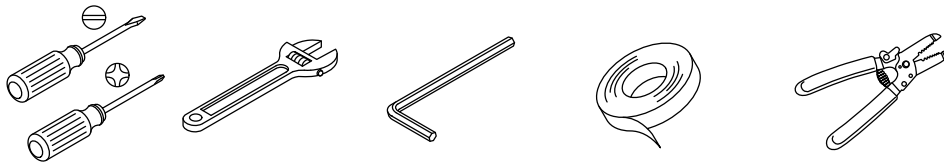
Need help? Contact our Customer Care Center.

- USA/Canada: 1-800-4KOHLER (1-800-456-4537) Mexico: 001-800-456-4537
- Service parts: kohler.com/serviceparts
- Care and cleaning: kohler.com/clean
- Patents: kohlercompany.com/patents

Warranty

This product is covered under the **KOHLER® Indoor Lighting Fixtures Limited Warranty**, found at kohler.com/warranty. For a hardcopy of warranty terms, contact the Customer Care Center.

Tools and Materials





M2 Hex Wrench Electrical Tape Wire Cutter/Stripper

Plus:


- E26 Base A19 bulb(s) (Max 60 W for small pendants; Max 100 W for large pendants)

Before You Begin


 **DANGER: Risk of electric shock.** To avoid electrical shock, the electricity must be turned OFF at the circuit breaker or fuse box before beginning installation.

 **DANGER: Risk of electric shock.** To avoid electrical shock, the electrical outlet box must be properly grounded.

Small Pendants

 **CAUTION: Risk of property damage.** To avoid risk of fire, this fixture has been rated for bulbs up to 60 W. Do not exceed this rating.

Large Pendants

 **CAUTION: Risk of property damage.** To avoid risk of fire, this fixture has been rated for bulbs up to 100 W. Do not exceed this rating.

Follow all local plumbing, building, and electrical codes.

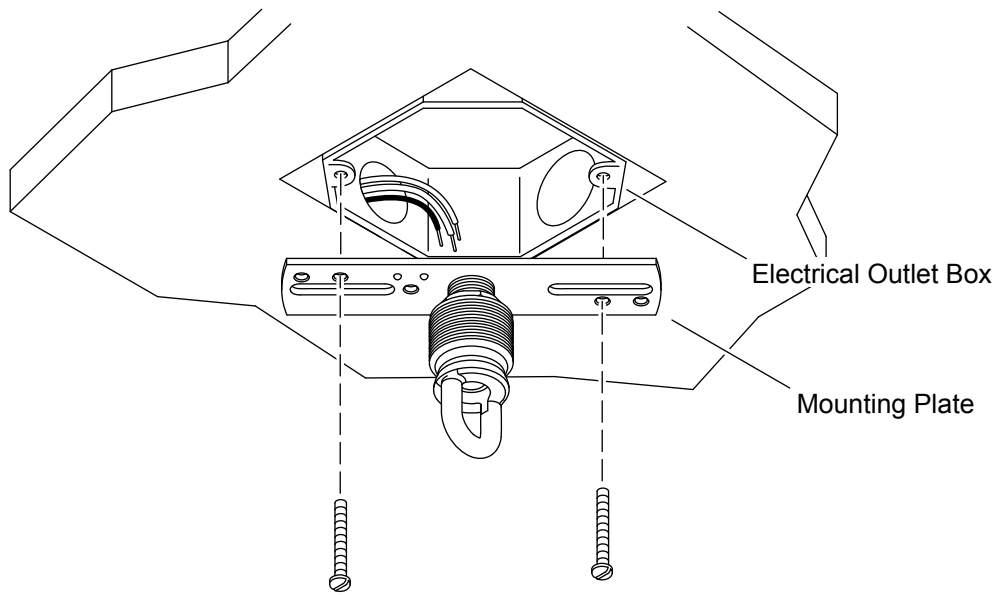
Please read all instructions before you begin.

The fixture should be installed by a qualified electrician.

This fixture is for indoor use only.

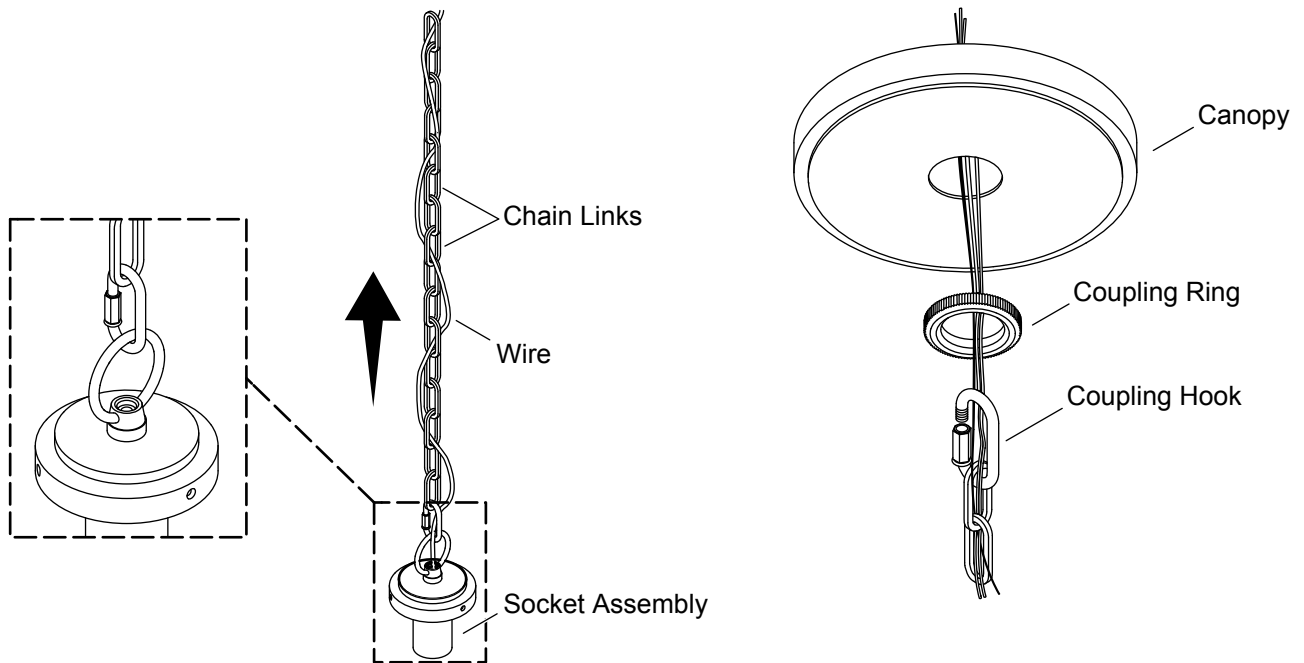
Carefully inspect the fixture for damage.

1. Install the Mounting Plate



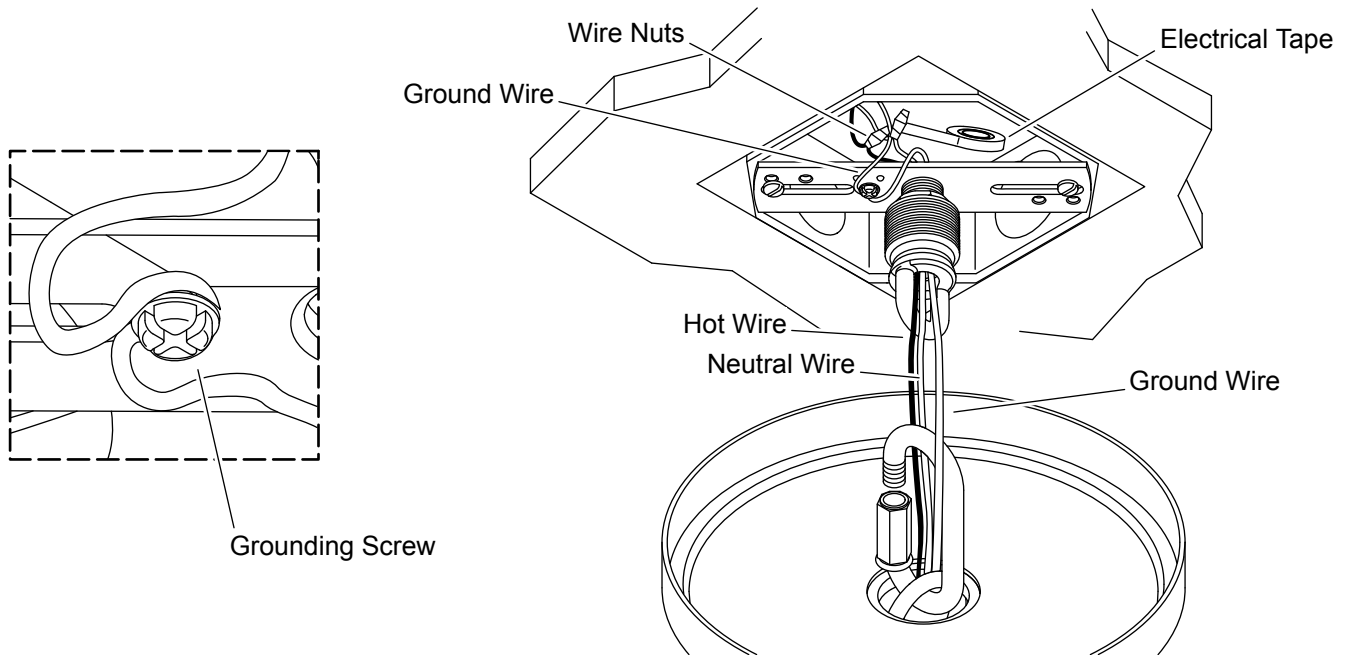
- Carefully pull out the wiring from the electrical outlet box and allow the wires to hang down.
- Place the flat side of the mounting plate flat against the electrical outlet box.
- Securely tighten the mounting plate to the electrical outlet box with the mounting screws.

2. Assemble the Chains and Canopy



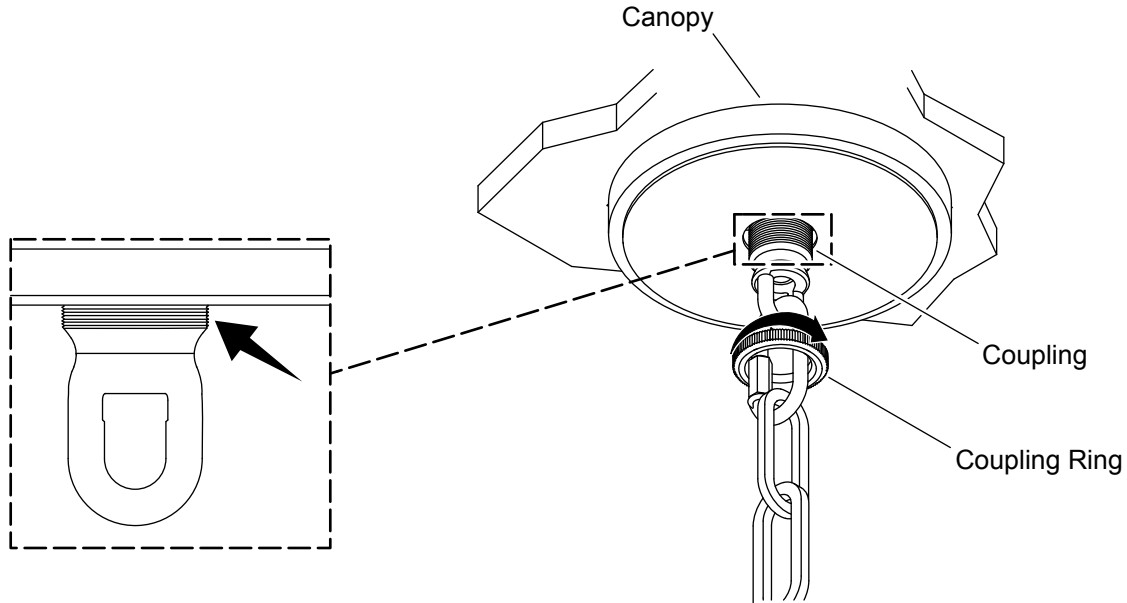
- Determine the height that you want the fixture to be located. Remove chain links as needed, that will place the fixture at the desired height.
- Insert the electrical wires from the socket through every three to four chain links.
- Insert the electrical wires through the coupling hook, coupling ring, and canopy.

3. Connect the Electrical Wires



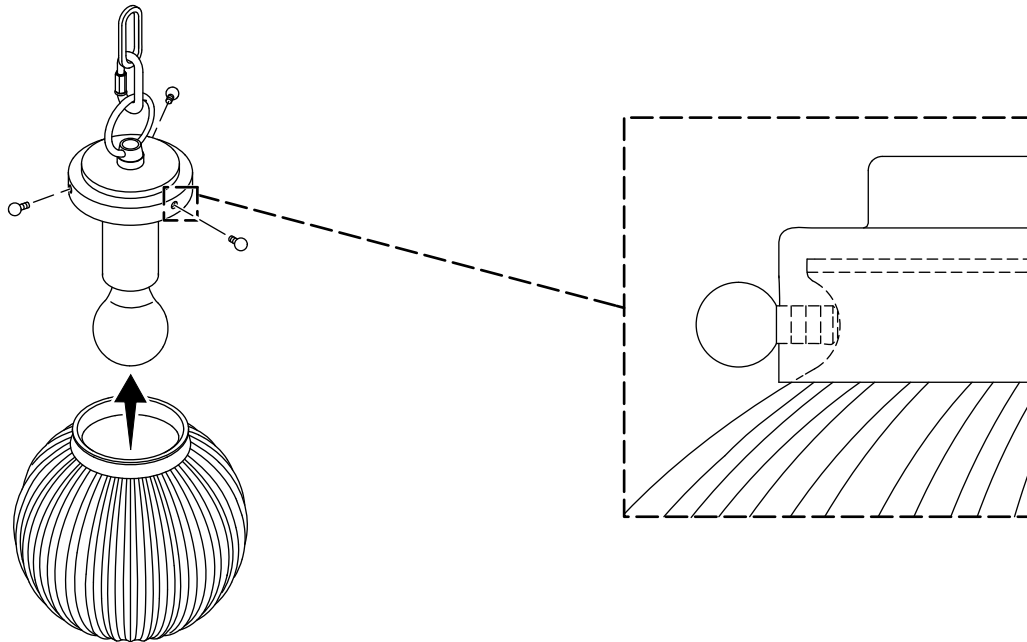
- Insert the wires from the socket through the center of the mounting plate.
- Attach the coupling hook onto the coupling that is preinstalled onto the mounting plate. Close the coupling hook.
- Make a loop in the ground wire and wrap around the grounding screw on the mounting plate. Tighten the grounding screw.
- Fasten the ground wires together with the provided wire nut and wrap the wire nut with electrical tape.
- Attach the neutral wire (with the grooves), from the fixture, to the neutral wire (usually white) in the electrical outlet box.
- Attach the hot wire (with the writing), from the fixture, to the hot wire (usually black) in the electrical outlet box.

4. Secure the Fixture



- Verify that all plastic wire nuts are securely fastened and strands of bare wire are not exposed.
- Carefully position the wires inside the electrical outlet box behind the mounting plate.
- Position the canopy over the coupling. With the canopy flush against the ceiling, verify that there are threads showing.
- Secure the canopy to the coupling with the coupling ring.

5. Install the Shade



- Insert the bulb into the fixture.
- Position the shade inside the canopy.
- Carefully thread the screws into the canopy until the edge of the shade rests securely on the screws.
- Turn ON the main electrical supply from the main fuse or the circuit breaker.
- Confirm proper operation.