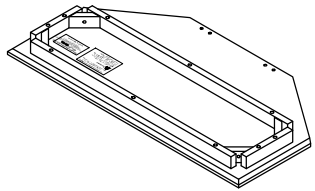
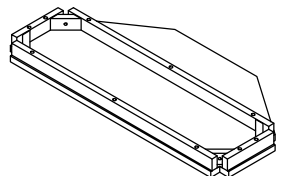
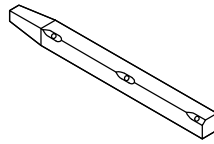
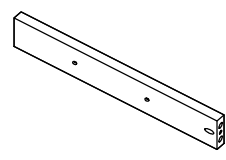


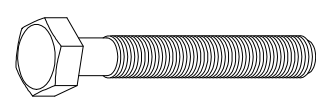

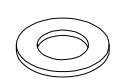
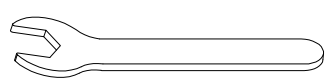
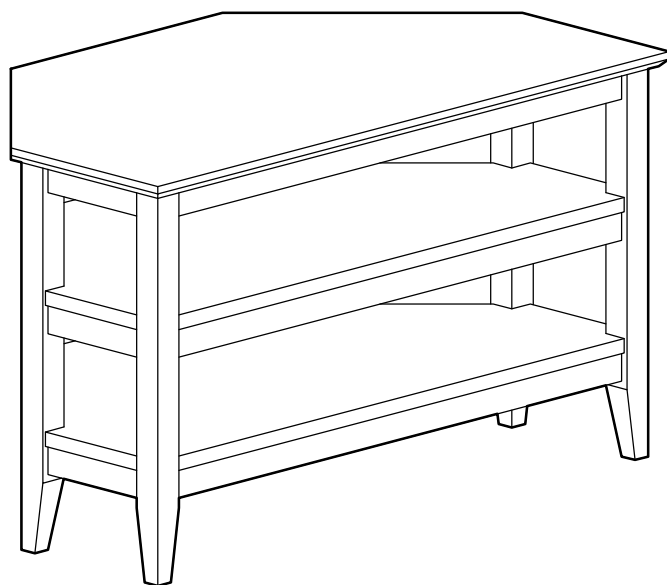


ASSEMBLY INSTRUCTION

042-T TV STAND

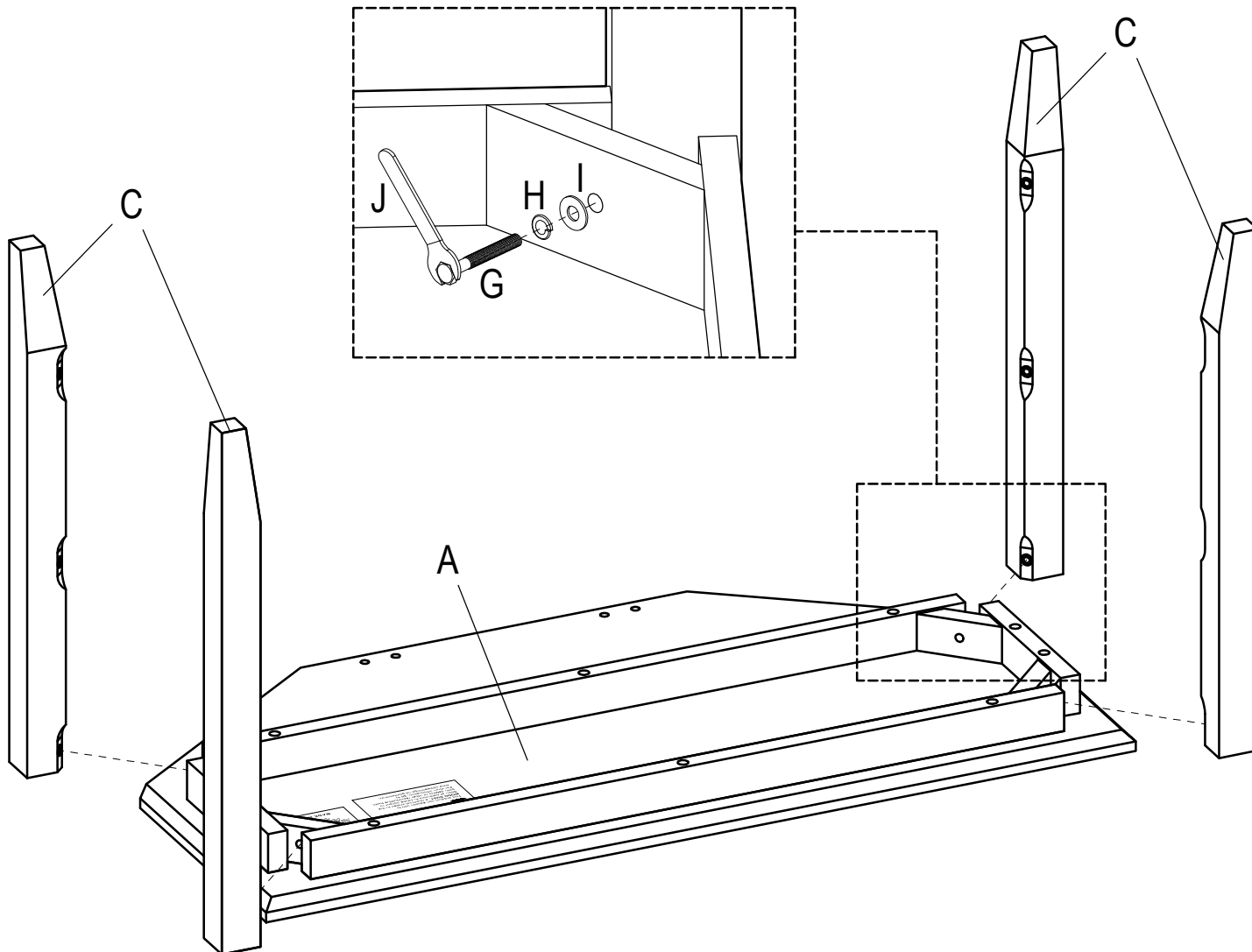
A Top Panel	B Shelf	C Leg	D Back Leg
			
1 pc	2 pcs	4 pcs	2 pcs
E Wooden Dowel 8x30mm	F Chipboard Screw M4x30mm	G Hexagon Bolt M6x60mm	H Spring Washer M6
			
4 pcs	6 pcs	12 pcs	12 pcs
I Flat Washer M6	J Wrench 10mm		
			
12 pcs	1 pc		



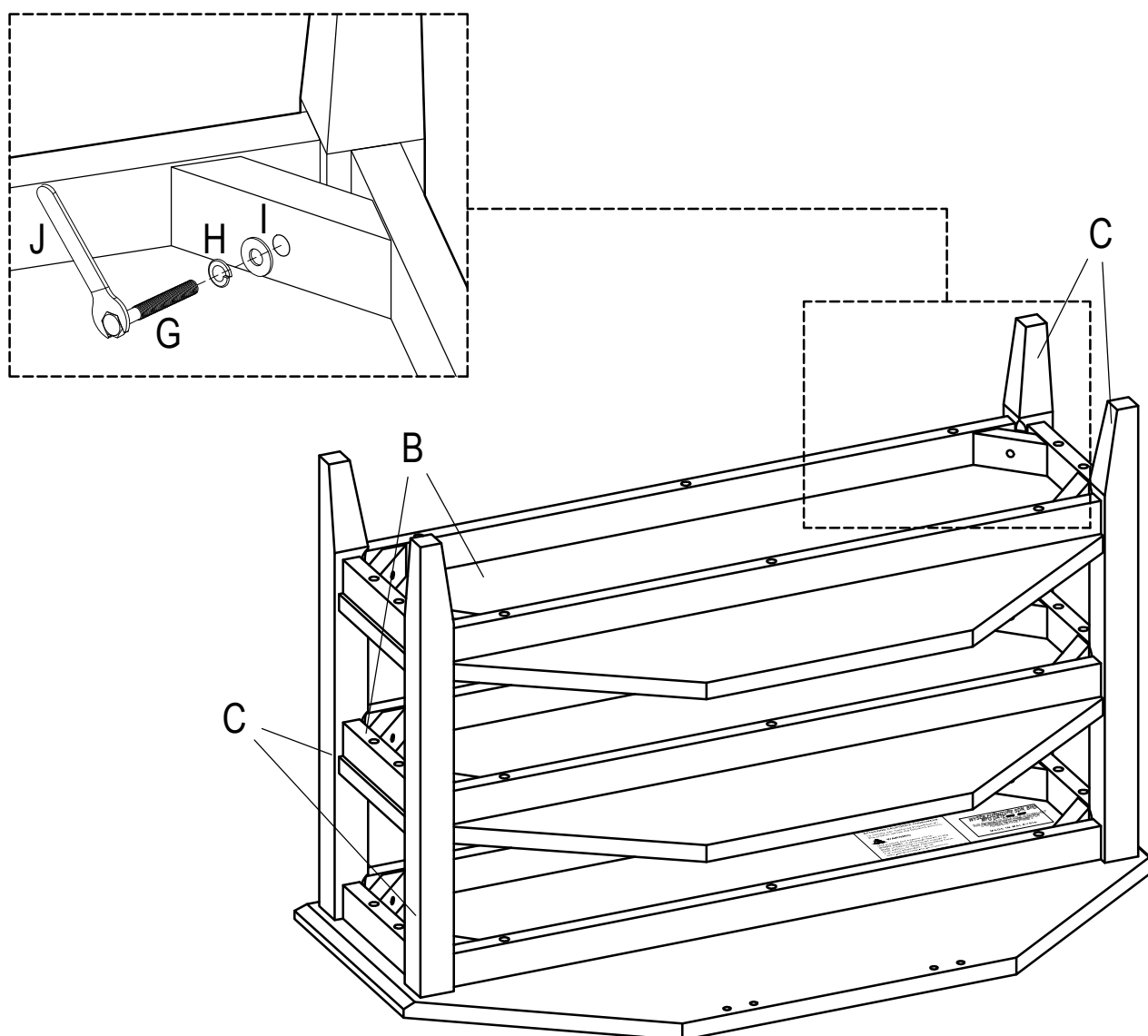
This page lists all the contents included in the box. Please take the time to identify the hardware as well as the individual components to this product. As you unpack and prepare for assembly, place the contents on a carpeted or padded area to protect them from damage.

1

- (i) Carefully place the Top Panel (A) on a flat safe surface.
NOTE : Please find a suitable surface to avoid damaging the parts.
- (ii) Attach Leg (C) to the Top Panel (A) using Hexagon Bolt (G) together with Spring Washer (H) & Flat Washer (I).
- (iii) Semi-tighten Hexagon Bolt (G) with Wrench (J).

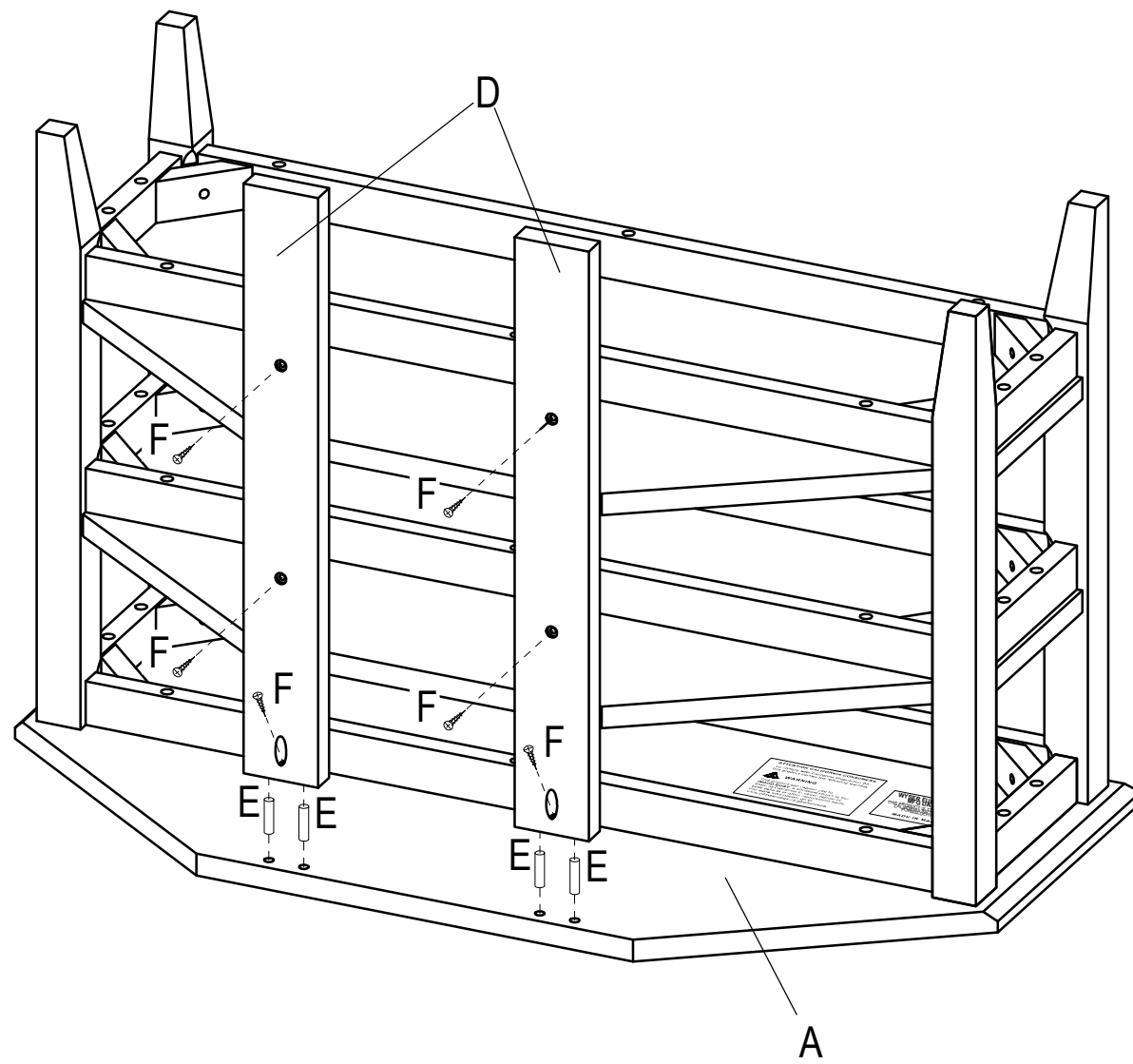
**2**

- (i) Attach Shelf (B) to the Leg (C) using Hexagon Bolt (G) together with Spring Washer (H) & Flat Washer (I).
- (ii) Fully tighten all Hexagon Bolt (G) with Wrench (J).



3

- (i) Insert Wooden Dowel (E) into holes at top of Back Leg (D).
- (ii) Attach Back Leg (D) to Top Panel (A) using guiding dowels. Tighten Chipboard Screw (F) to Back Leg (D) using Philips Head Screwdriver.



Cleaning & Care

Treat surface with care. Surface is resistant to scratches but is not scratch resistant. Clean surface with a dry or damp soft cloth. Do not use abrasive cleaners. Hardware may loosen over time. Periodically check that all connections are tight.