

ASSEMBLY INSTRUCTION

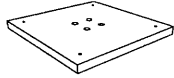
ROUND DINING TABLE

A TABLE TOP



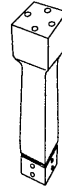
1 PC

B MOUNTING PLATE (unloose from step 1)



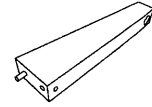
1 PC

C PEDESTAL COLUMN



1 PC

D PEDESTAL LEG



4 PCS

E JCBC BOLT M6 x 40MM (Included 2pcs from step 1)



8 PCS

F SPRING WASHER M6 (Included 2pcs from step 1)



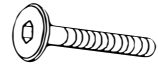
8 PCS

G FLAT WASHER M6 x 2MM (Included 2pcs from step 1)



8 PCS

H JCBB BOLT M8 x 60MM



4 PCS

I SPRING WASHER M8



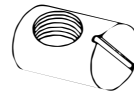
4 PCS

J FLAT WASHER M8 x 2MM



4 PCS

K BARREL NUT M8



4 PCS

L LEVELER M6 x 23MM



4 PCS

M ALLEN WRENCH M4 x 60MM



1 PC

N ALLEN WRENCH M5 x 60MM

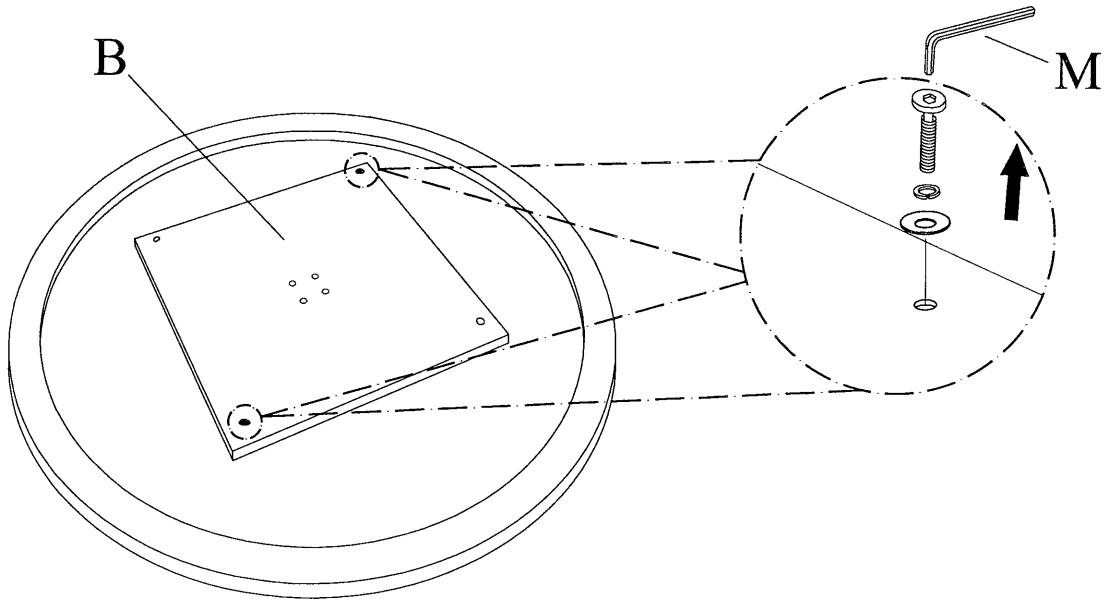


1 PC

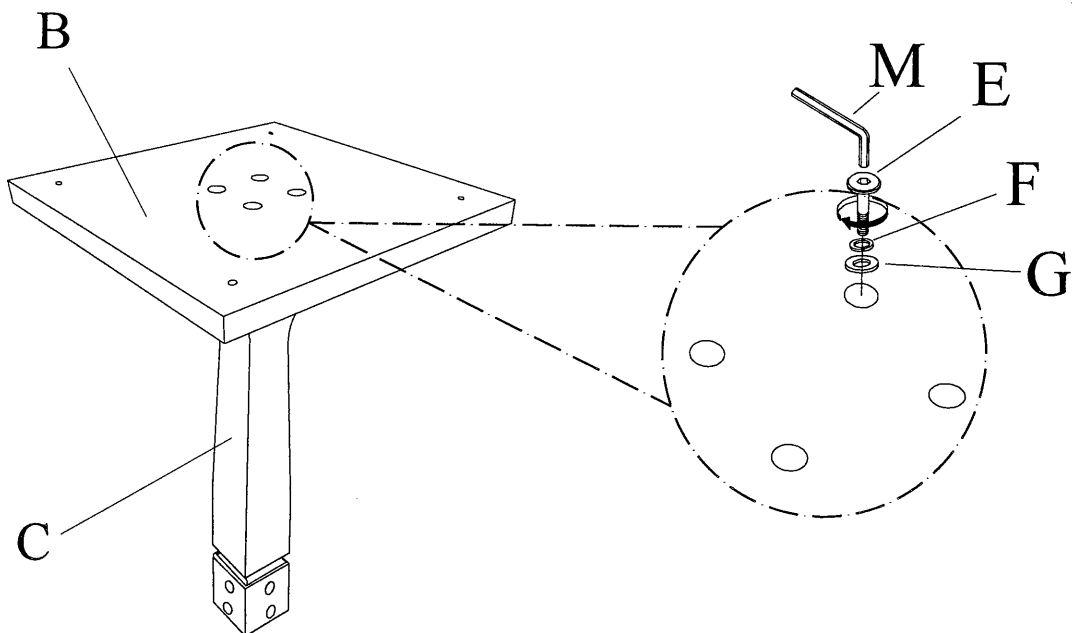


This page lists all the contents included in the box. Please take the time to identify the hardware as well as the individual components to this product. As you unpack and prepare for assembly, place the contents on a carpeted or padded area to protect them from damage.

- 1** Please unloose two JCBC Bolt, Spring Washer and Flat Washer from Mounting Plate (B) with Allen Wrench (M). Keep the JCBC Bolt, Spring Washer, Flat Washer and Mounting Plate (B) for step 2 use.

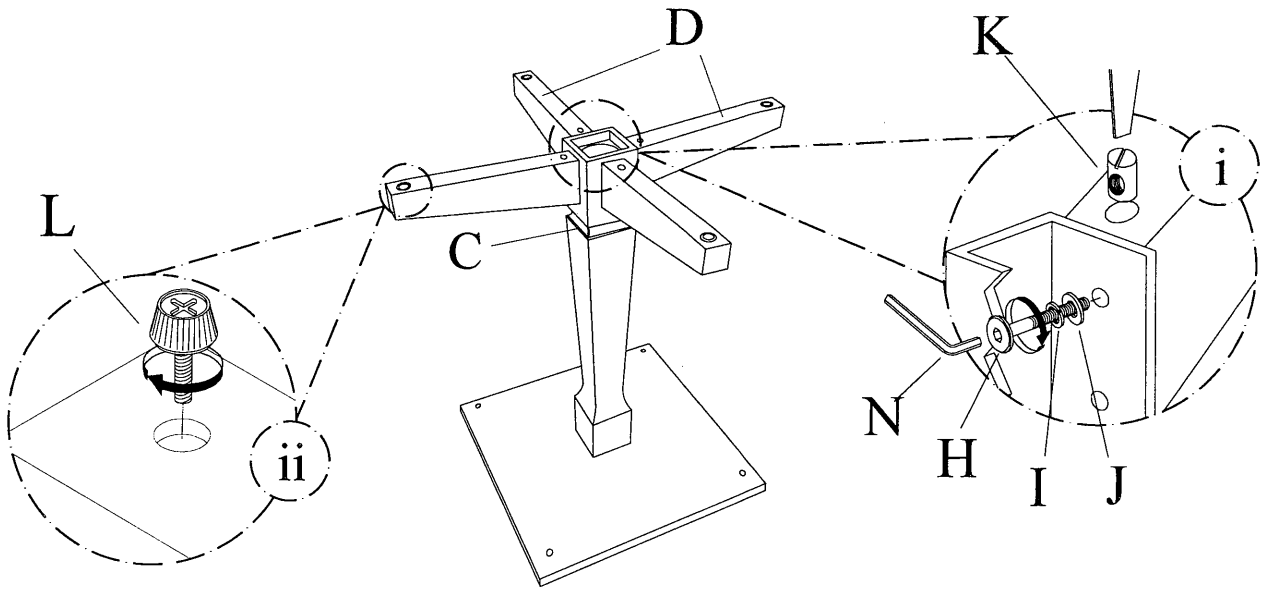


- 2** Align and fasten Mounting Plate (B) to Pedestal Column (C) using JCBC Bolt (E), Spring Washer (F) and Flat Washer (G) and tighten with Allen Wrench (M).

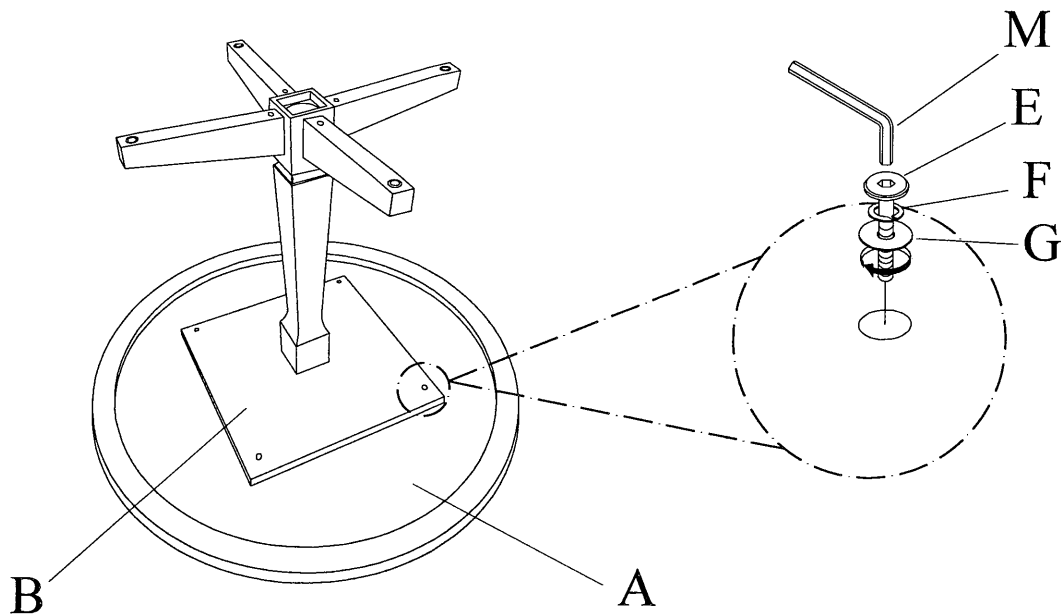


3 Flip table leg over,

- i) Insert Barrel Nut (K) to hole at bottom of Pedestal Leg (D) with Screwdriver (not included). Align and fasten Pedestal Leg (D) to Pedestal Column (C) using JCBB Bolt (H), Spring Washer (I) and Flat Washer (J) and tighten with Allen Wrench (N).
- ii) Screw in the Leveler (L) to bottom of Pedestal Leg (D).



4 Place Table Top (A) upside down on soft surface. Align and fasten Mounting Plate (B) to Table Top (A) using JCBC Bolt (E), Spring Washer (F) and Flat Washer (G) and fully tighten with Allen Wrench (M).



5 Stand table up on an even surface and check that it is balanced. If there is a slight wobble, please adjust the Leveler.



Cleaning & Care

Treat surface with care. Surface is resistant to scratches but is not scratch resistant. Clean surface with a dry or damp soft cloth. Do not use abrasive cleaners. Hardware may loosen over time. Periodically check that all connections are tight.