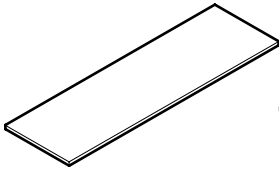
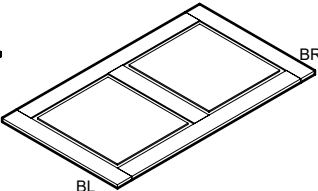
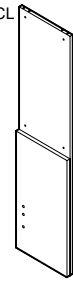
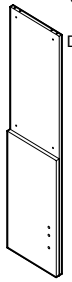


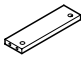
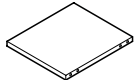
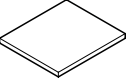
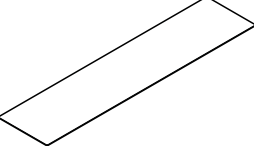






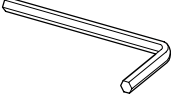
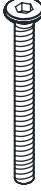




ASSEMBLY INSTRUCTION

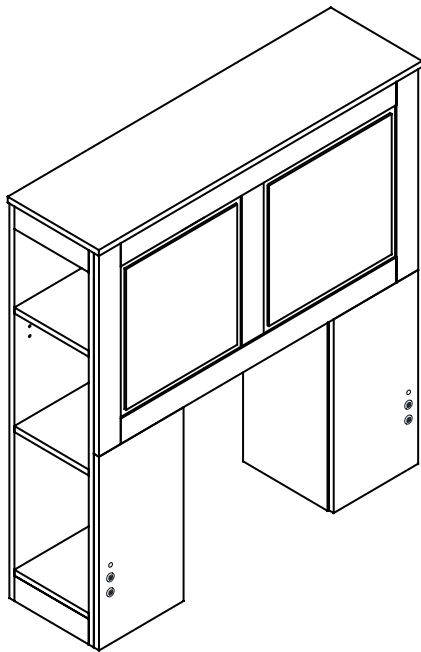
TWIN STORAGE HEADBOARD
FULL STORAGE HEADBOARD

<p>A Headboard Top Panel</p>  <p>1pc</p>	<p>B Headboard</p>  <p>1pc</p>	<p>C Side Panel Left Front</p>  <p>1pc</p>	<p>D Side Panel Right Front</p>  <p>1pc</p>
<p>E Side Panel Left Back</p>  <p>1pc</p>	<p>F Side Panel Right Back</p>  <p>1pc</p>	<p>G Side Panel Top / Bottom</p>  <p>8pcs</p>	<p>H Fix Shelf</p>  <p>4pcs</p>
<p>I Adjustable Shelf</p>  <p>2pcs</p>	<p>J Back Panel</p>  <p>2pcs</p>	<p>K Cam Bolt 6.5mm x 35mm</p>  <p>40pcs</p>	<p>L Cam Lock 15mm x 12mm</p>  <p>40pcs</p>
<p>M Dowel Ø8 x 25mm</p>  <p>40pcs</p>	<p>N PH Screw M4 x 12mm</p>  <p>24pcs</p>	<p>O JCBC Screw M6 x 30mm</p>  <p>8pcs</p>	<p>P Shelf Holder M6 x 30mm</p>  <p>8pcs</p>
<p>Q Allen Key M4</p>  <p>1pc</p>	<p>R JCBC Screw M6 x 60mm</p>  <p>4pcs</p>	<p>S Flat Washer M6</p>  <p>4pcs</p>	<p>T Nylon Washer M6</p>  <p>4pcs</p>

U Nut
M6



4pcs



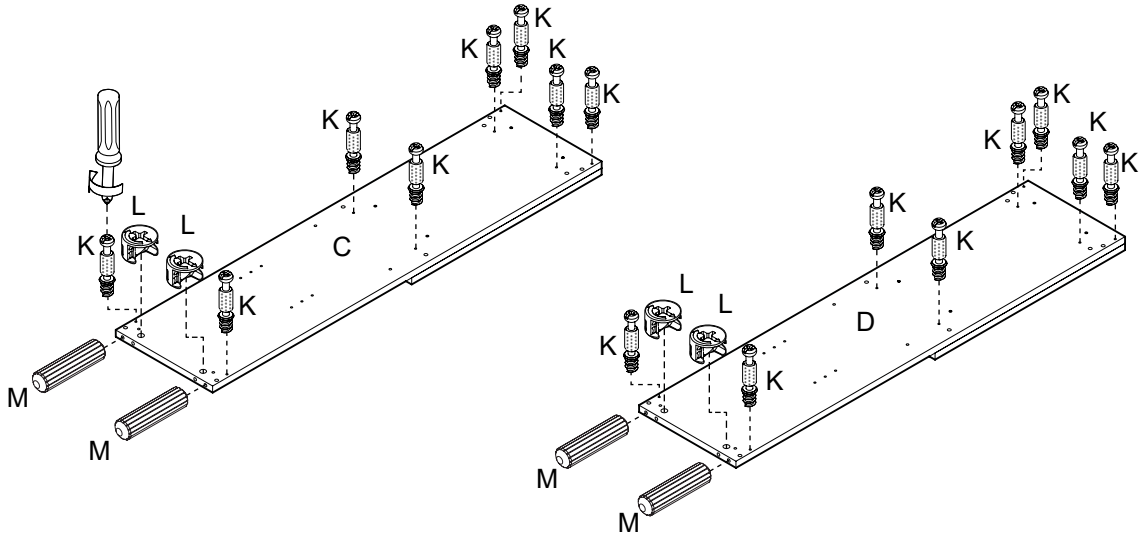
These pages list all the contents included in the box. Please take the time to identify the hardware as well as the individual components to this product. As you unpack and prepare for assembly, place the contents on a carpeted or padded area to protect them from damage.

IMPORTANT NOTE :

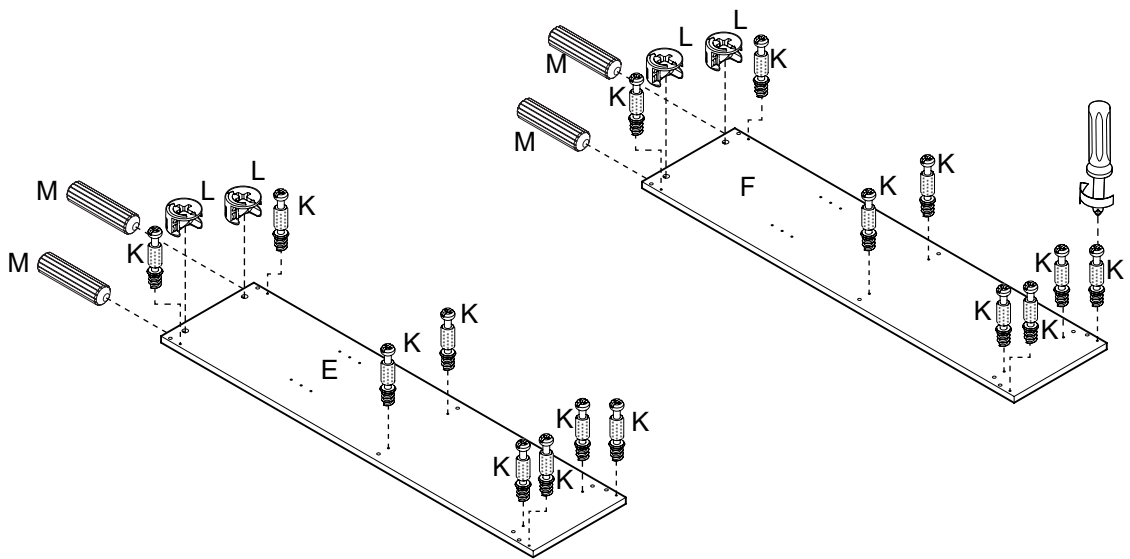
1. Do not tighten all screws / bolts until all completely assembled.
2. Keep all hardware parts out of reach of children.

1

- (i) Attach Cam Bolt (K) to Side Panel Left Front (C) and Side Panel Right Front (D) holes as image below and tighten with screwdriver (not provided).
- (ii) Attach Cam Lock (L) to Side Panel Left Front (C) and Side Panel Right Front (D) to the holes.
- (iii) Attach Dowel (M) to Side Panel Left Front (C) and Side Panel Right Front (D) to the holes as image below.

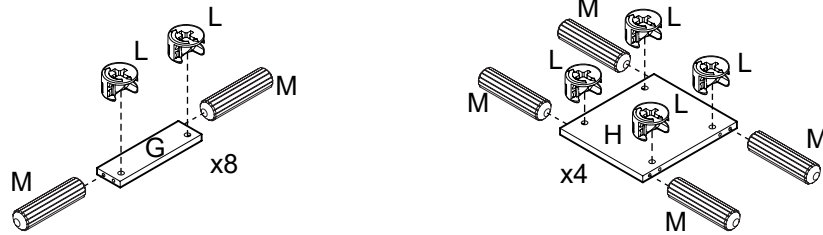
**2**

- (i) Attach Cam Bolt (K) to Side Panel Left Back (E) and Side Panel Right Back (F) holes as image below and tighten with screwdriver (not provided).
- (ii) Attach Cam Lock (L) to Side Panel Left Back (E), Side Panel Right Back (F) to the holes.
- (iii) Attach Dowel (M) to Side Panel Left Back (E), Side Panel Right Back (F) to the holes as image below.

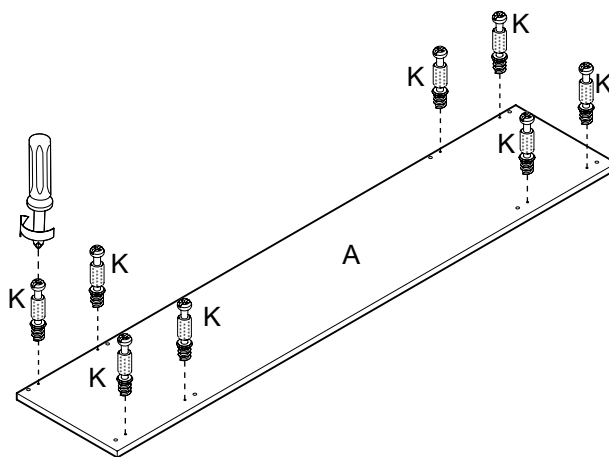
**3**

3

- (i) Attach Cam Lock (L) to Side Panel Top / Bottom (G) and Fix Shelf (H) to the holes.
- (ii) Attach Dowel (M) to Side Panel Top / Bottom (G) and Fix Shelf (H) to the holes as image below.

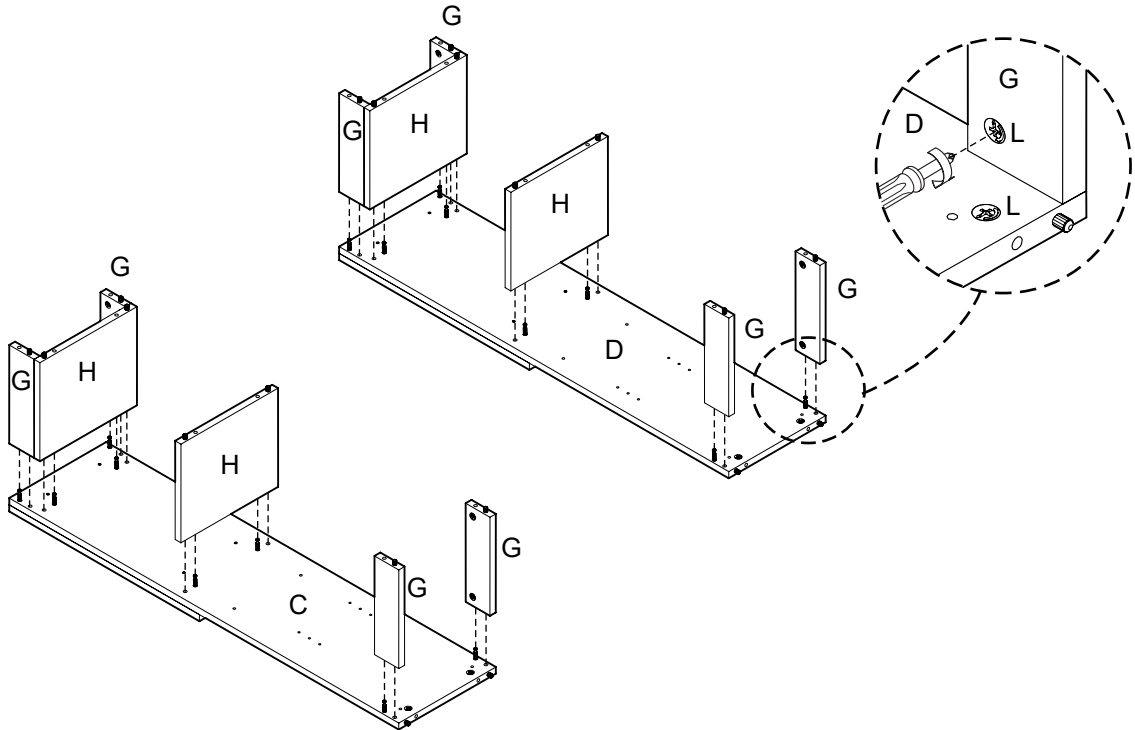
**4**

- Attach Cam Bolt (K) to Headboard Top Panel (A) holes as image below and tighten with screwdriver (not provided).

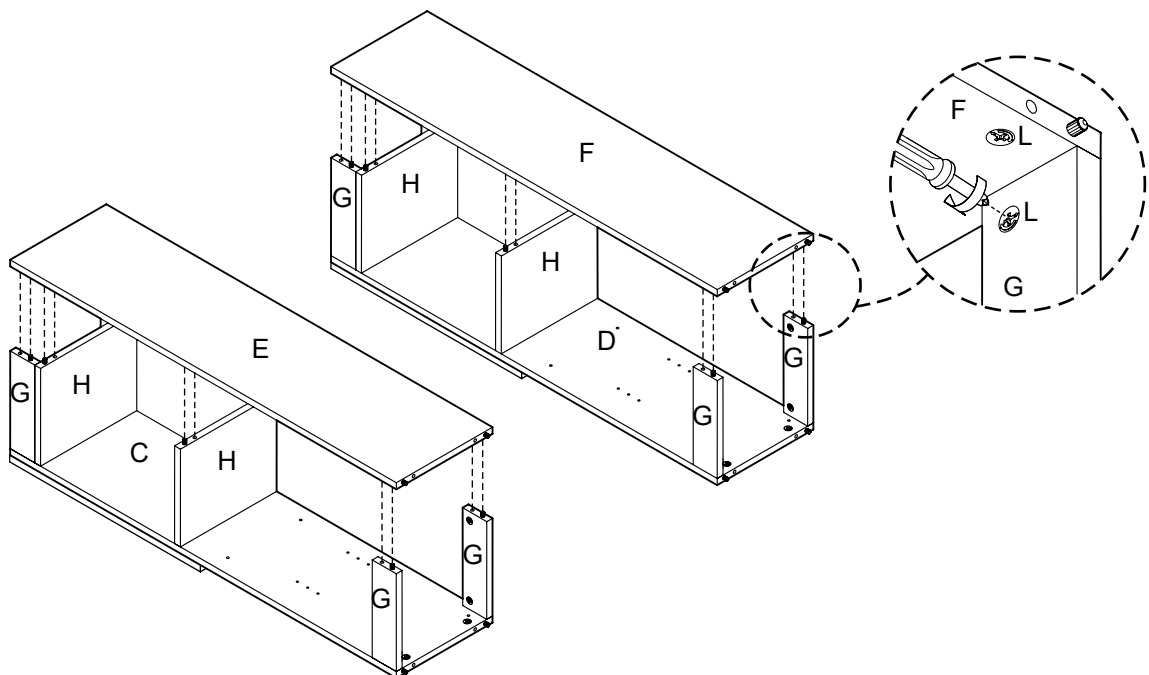


5

Put down Side Panel Top / Bottom (G) and Fix Shelf (H) to Side Panel Left Front (C) and Side Panel Right Front (D) as image below and tighten Cam Lock (L) with screwdriver (not provided).

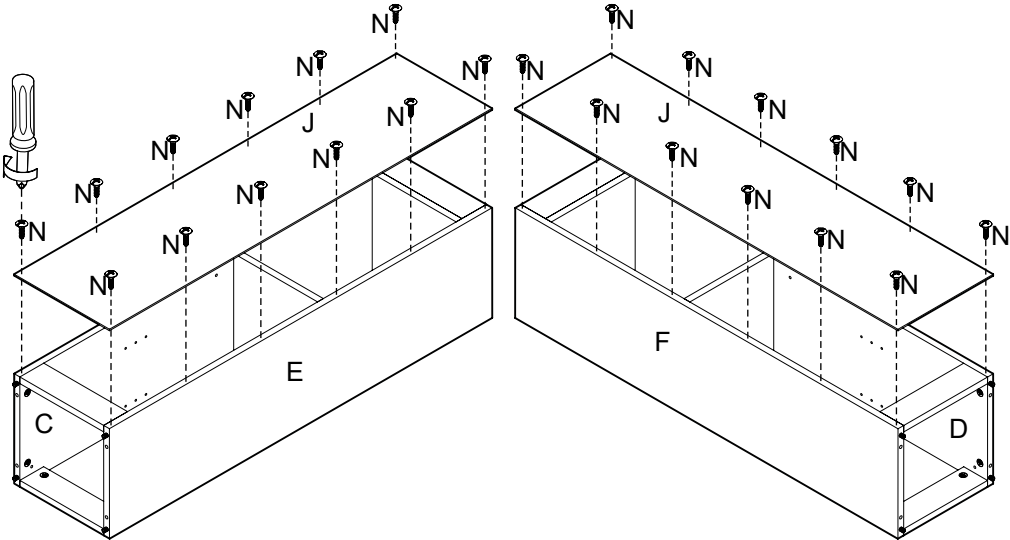
**6**

Put Side Panel Left Back (E) and Side Panel Right Back (F) down to Side Panel Top / Bottom (G) and Fix Shelf (H) as image below and tighten Cam Lock (L) with screwdriver (not provided).

**5**

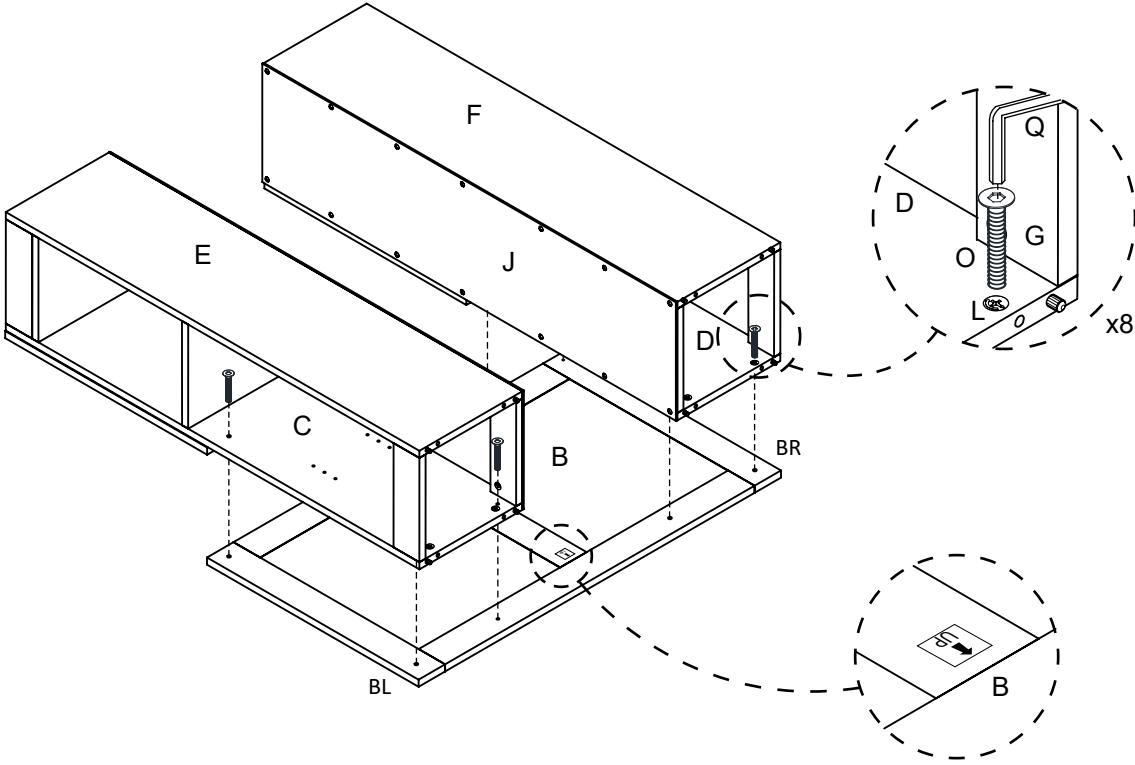
7

Turn both storage boxes, and put Back Panel (J) on Side Panel Left Front (C), Side Panel Right Front (D), Side Panel Left Back (E) and Side Panel Right Back (F) with PH Screw (N) to the holes as image below and tighten with screwdriver (not provided).



8

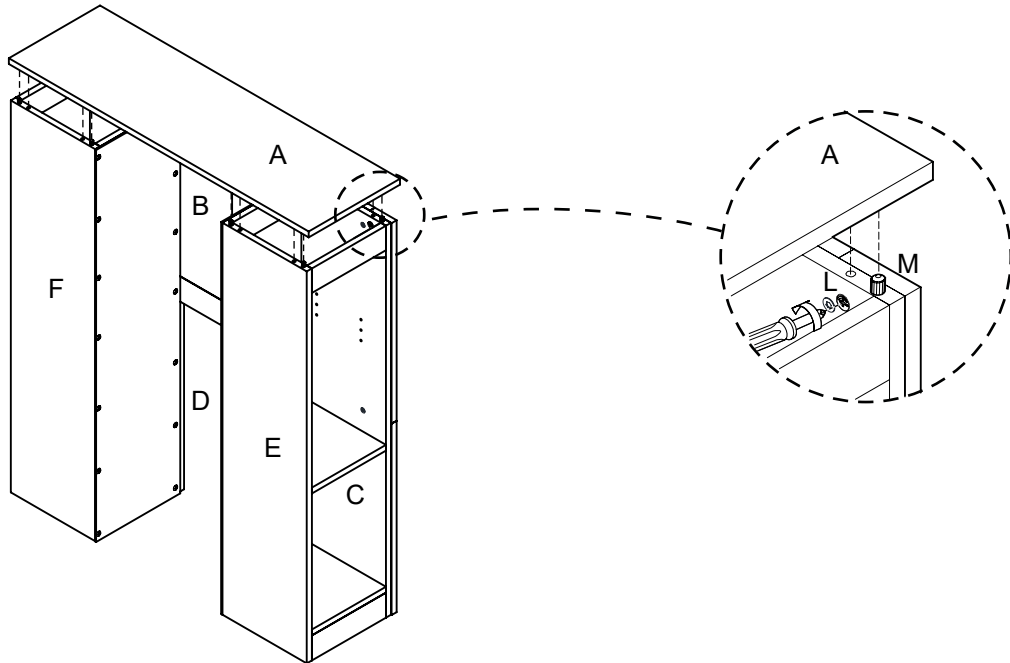
Turn and put both storage boxes on Headboard (B) with right pair (C to BL, D to BR) by inserting JCBC Screw (O) to the holes as image below and tighten with Allen Key (Q).



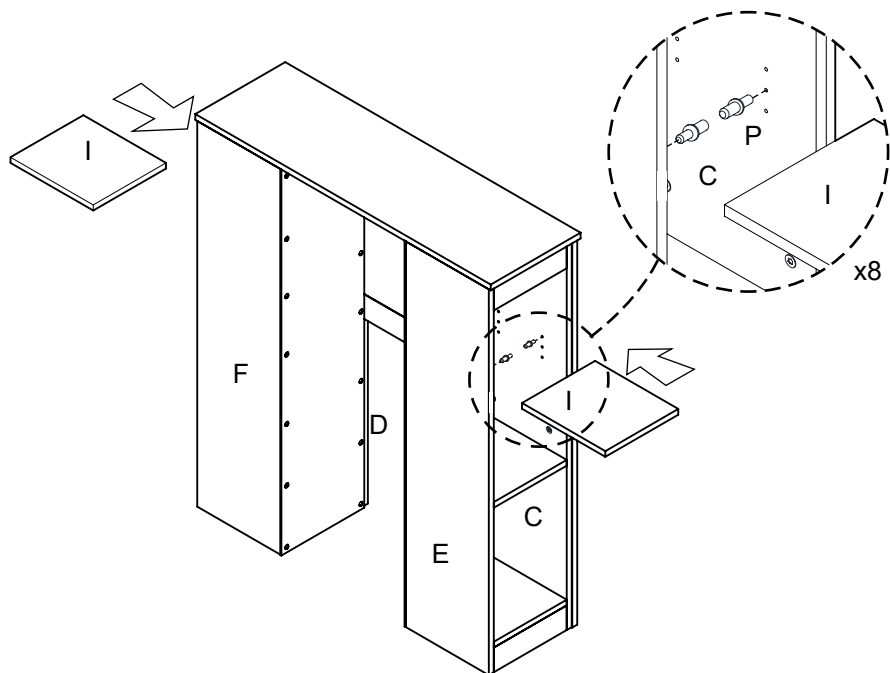
6

9

Stand the Headboard up, then attach Headboard Top Panel (A) to Side Panel Left Front (C), Side Panel Right Front (D), Side Panel Left Back (E) and Side Panel Right Back (F) and tighten Cam Lock (L) with screwdriver (not provided) and Dowel (M) is inline with the bottom holes of Top Panel (A) as image below.

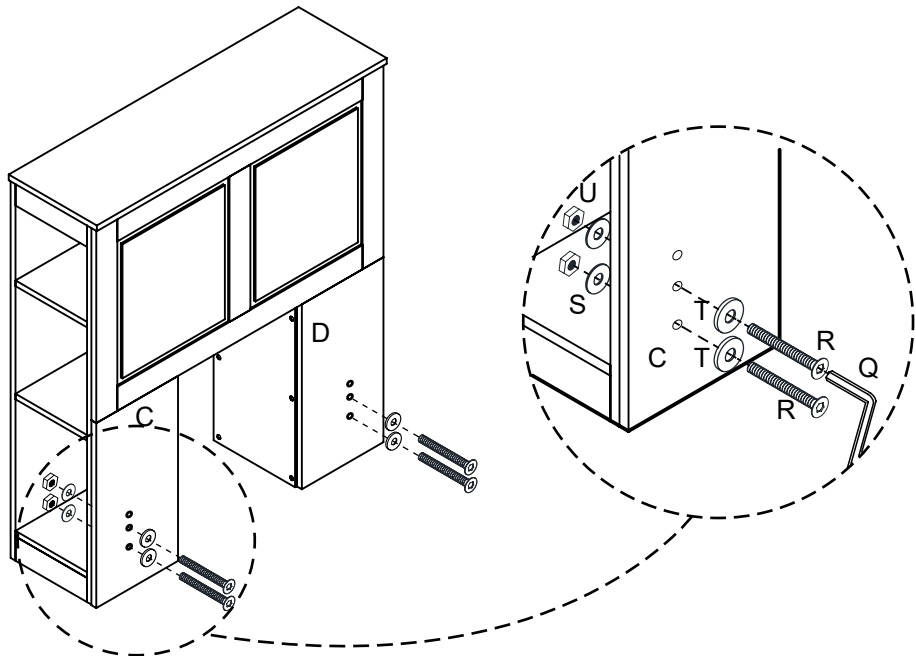
**10**

- (i) Attach Shelf Holder (P) to Side Panel Left Front (C), Side Panel Right Front (D), Side Panel Left Back (E) and Side Panel Right Back (F) holes as image below.
- (ii) Place Adjustable Shelf (I) on Shelf Holder (P) area between Side Panel Left Front (C), Side Panel Right Front (D), Side Panel Left Back (E) and Side Panel Right Back (F) as image below.



11

Attach JCBC Screw (R), Flat Washer (S), Nylon Washer (T), and Nut (U) to Side Panel Left Front (C) and Side Panel Right Front (D) holes and tighten with Allen Key (Q) as image below.



Cleaning & Care

Treat surface with care. Surface is resistant to scratches but is not scratch resistant. Clean surfaces with a dry or damp soft cloth. Do not use abrasive cleaners. Hardware may loosen over time. Periodically check that all connections are tight.