

Features

- Bask® heated surface creates spa-like relaxation with soothing warmth on your back, shoulders, and neck
- Three heat settings allow you to customize the surface temperature
- Comfort Depth® design offers a convenient 19" step-over height while retaining the same depth as a standard 21" bath
- Integral lumbar support
- Slotted overflow allows for deep soaking
- Textured bottom surface
- Coordinates with other products in the Archer collection

Material

- Acrylic

Installation

- Reversible drain
- Requires Clearflo slotted overflow bath drain (sold separately)
- Drop-in

Required Products/Accessories

K-7271 Brass Slotted Overflow Bath Drain

or

K-7272 PVC Slotted Overflow Bath Drain

Recommended Products/Accessories

K-1491 Bath/Whirlpool Pillow

K-1601 Bath/whirlpool footstop, removable

K-23726 Drain treatment



ADA

Codes/Standards

CSA B45.5/IAPMO Z124

UL 1795

CSA C22.2 No. 218.2

ADA

ICC/ANSI A117.1

cUL Listed



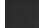
UL Listed

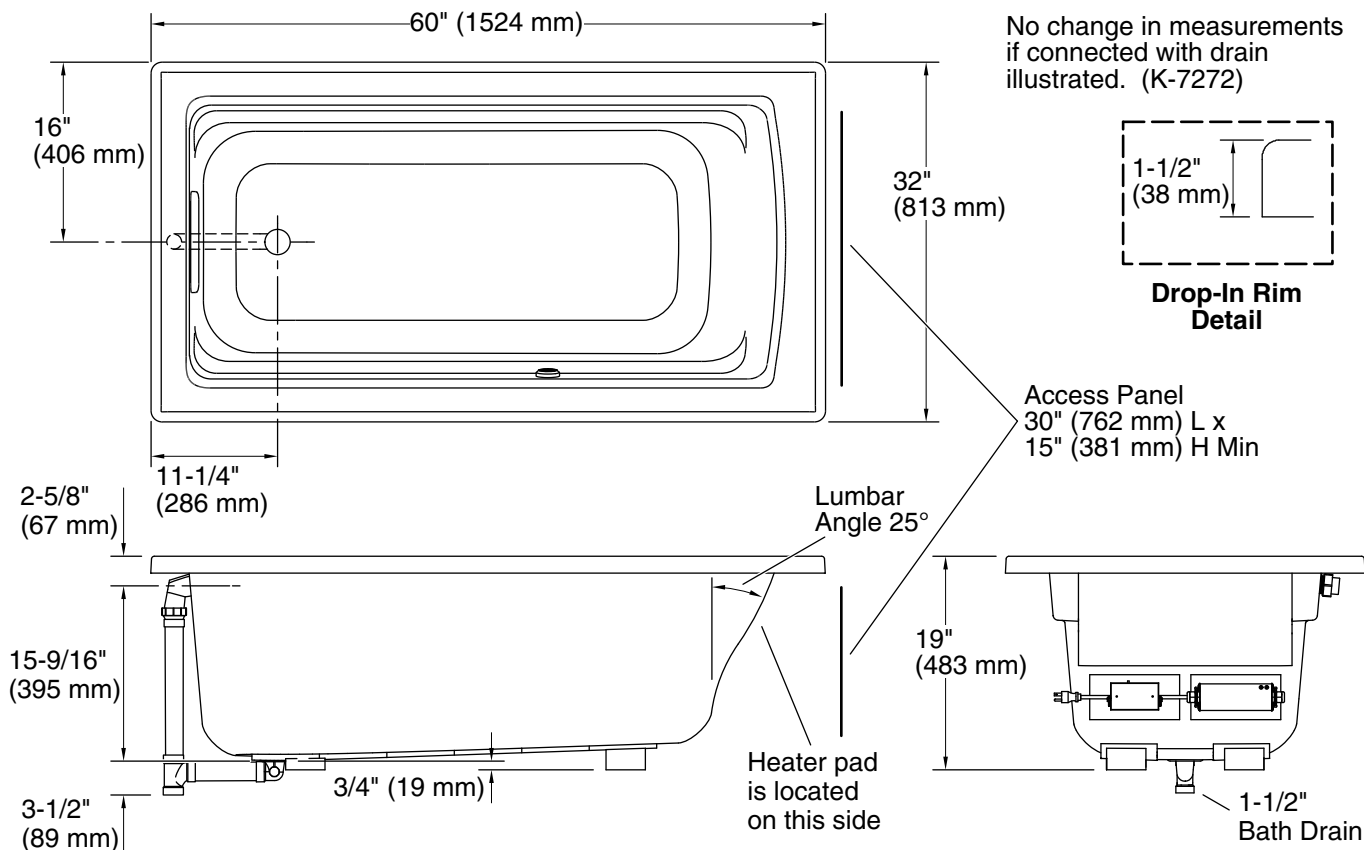
KOHLER® Plastic Baths and Shower Bases Lifetime Limited Warranty
KOHLER® Hydrotherapy Components Five-Year Limited Warranty

See website for detailed warranty information.

Available Colors/Finishes

Color tiles intended for reference only.

Color	Code	Description
	0	White
	96	Biscuit
	7	Black Black™



Required Electrical Service

One circuit required, protected with Class A Ground-Fault Circuit-Interrupter (GFCI). Outside North America, this device may be known as a Residual Current Device (RCD).

Heated Surface: 120 V, 15 A

Technical Information

All product dimensions are nominal.

- Drain location: Reversible
- Basin area, bottom: 45-1/8" x 19-11/16" (1146 mm x 500 mm)
- Basin area, top: 52-3/4" x 25-5/16" (1340 mm x 643 mm)
- Weight: 70 lbs (31.8 kg)
- Minimum floor load: 44 lbs/ft² (214.8 kg/m²)
- Water depth: 15" (381 mm)
- Water capacity: 58 gal (219.6 L)
- Cutout: Drop-in, 58-1/2" x 30-1/2" (1486 mm x 775 mm)
- Electrical component rating: Heated Surface: 120 V, 0.5 A, 60 Hz, 65 W
- Minimum flat for: 2-1/8" (54 mm)

Notes

- Measure your actual product for rough-in details.
- Install this product according to the installation instructions.
- The hot water supply should be 70% of the capacity of the bath or greater. Installations will vary.
- This bath is designed for drop-in installation only. It is not suited for use in a three wall alcove with an overhead shower.
- ADA compliant when installed to the specific requirements of these regulations.

1-800-4KOHLER (1-800-456-4537)

Kohler Co. reserves the right to make revisions without notice to product specifications.

For the most current Specification Sheet, go to www.kohler.com USA or www.kohler.ca Canada

2-2-2026 21:28 - US/CA