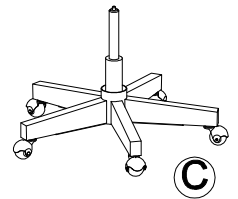
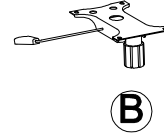
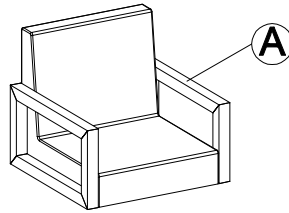


ONE COLLECT. HOME OFFICE CHAIR ASSEMBLY INSTRUCTIONS



PARTS PACKING CONFIGURATIONS

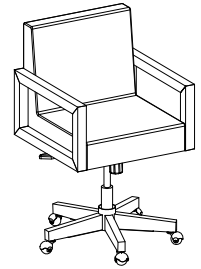
- A. SEAT 1PC
- B. CONTROL MECHANISM 1PC
- C. LEG BASE 1PC



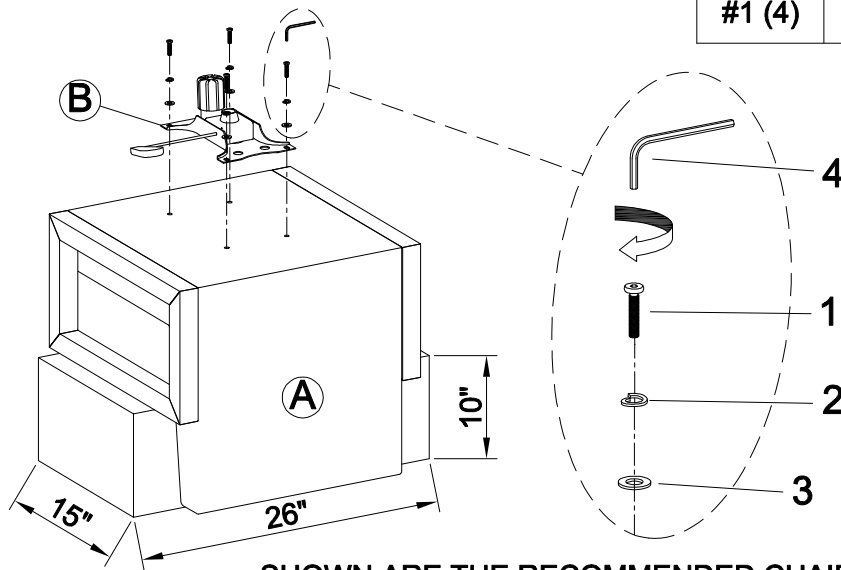
HARDWARE KIT PACKED IN BOX

NO.	DESCRIPTION	IMAGE	Q'TY
1	ALLEN BOLT (5/16"x1-1/2")		4 PCS
2	LOCK WASHER (5/16")		4 PCS
3	FLAT WASHER (5/16")		4 PCS
4	ALLEN KEY (5mm)		1 PC

FULLY ASSEMBLED

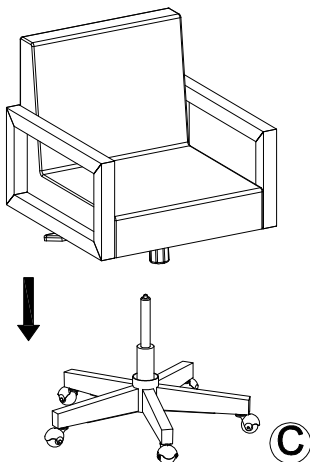


Step 1:



SHOWN ARE THE RECOMMENDED CHAIR SUPPORT DIMENSIONS FOR EASE OF BASE ASSEMBLY.

Step 2:



ASSEMBLY COMPLETE

