



Sunward® | K-6347-H

66" x 42" drop-in heated whirlpool bath

Features

- Single-speed whirlpool offers performance and value, with six fully adjustable jets
- Hydromassage flow and direction can be controlled at each jet
- Built-in heater
- Oval basin creates a spacious bathing experience
- Integral lumbar support and armrests offer extra comfort while bathing
- Textured bottom surface



Available Colors/Finishes

Color tiles intended for reference only.

- 0 White
- 96 Biscuit



1-800-4KOHLER (1-800-456-4537)
Kohler Co. reserves the right to make revisions without notice to product specifications.
For the most current specification sheet, go to www.kohler.com USA or www.kohler.ca Canada.
5-12-2026 21:25 - US-CA

THE BOLD LOOK
OF **KOHLER**®

Codes/Standards

ASME A112.19.7/CSA B45.10
CSA B45.5/IAPMO Z124
UL 1795
UL Listed

Technical Information

All product dimensions are nominal.

Drain Location:	Reversible
Drain Hole Diameter:	2-1/2" (64 mm)
Basin Area, Bottom:	48-5/8" x 24-1/2" (1235 mm x 622 mm)
Basin Area, Top:	60" x 32-3/16" (1523 mm x 818 mm)
Water Depth:	14-5/16" (364 mm)
Water Capacity:	70 gal (265 L)
Minimum Floor Load:	34 lbs/ft ²

Material

- Acrylic

Recommended Products/Accessories

K-23726 Drain treatment
K-23732 Tub & shower cleaner
K-738 Undermount kit for select 66" Sunward bath and whirlpool bath models

Required Products/Accessories

- K-11677 Adjustable drain, 20-gauge brass, for 18-1/2" to 20-1/2" baths

Required Electrical Service

Two dedicated circuits required, protected with Class A Ground-Fault Circuit-Interrupter (GFCI). Outside North America, this device may be known as a Residual Current Device (RCD).

Pump: 120 V, 15 A, 60 Hz

Electrical Component Ratings

Pump: 120 V, 7.5 A, 60 Hz

Number of Speeds: Single

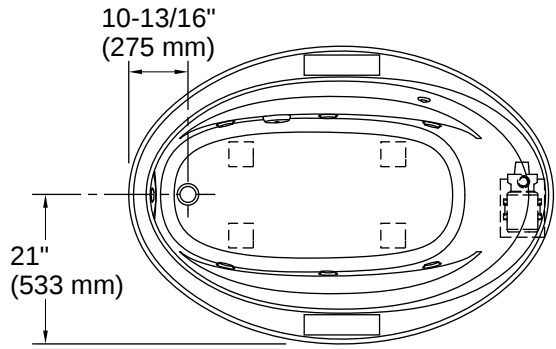
Heater: 120 V, 12.5 A, 60 Hz, 1500 W

Warranty

See website for detailed warranty information.

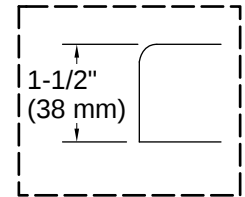
KOHLER® Plastic Baths and Shower Bases Lifetime Limited Warranty|KOHLER® Hydrotherapy Components Five-Year Limited Warranty





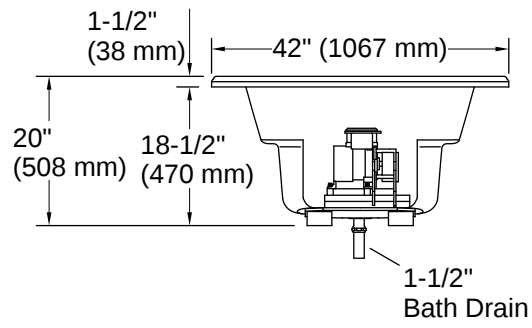
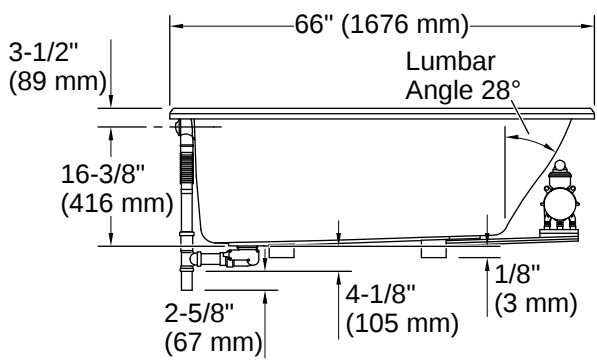
No change in measurements if connected with drain illustrated. (K-37382)

Recommended Faucet Location



Drop-in Rim Detail

Access Panel
20" (508 mm) W x 15" (381 mm) H



Installation

- Reversible drain
- Drop-in or undermount
- Smooth backside for easy handling and mounting of drain and overflow

Installation Notes

Install this product according to the installation instructions.

Measure your actual product for rough-in details.
The hot water supply should be 70% of the capacity of the bath or greater. Installations will vary.
Kit is required for under-mount installations (sold separately).
If installing a rim-mount faucet, make sure there is no interference above or below the deck before drilling any holes.

