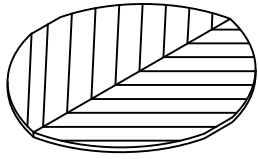


ASSEMBLY INSTRUCTION

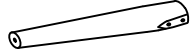
END TABLE

A Top Panel



1pc

B Leg



3pcs

C Bolt
Ø1/4"x70mm



6pcs

D Flat Washer
Ø1/4"xØ16x1.5mm



6pcs

E Lock Washer
Ø1/4"xØ10x1.5mm



6pcs

F Levelers
Ø1/4"xØ19x15mm

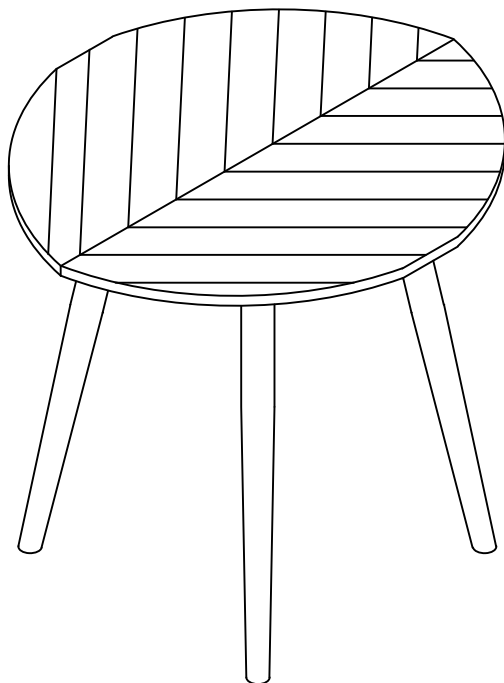


3pcs

G Allen Key
M4

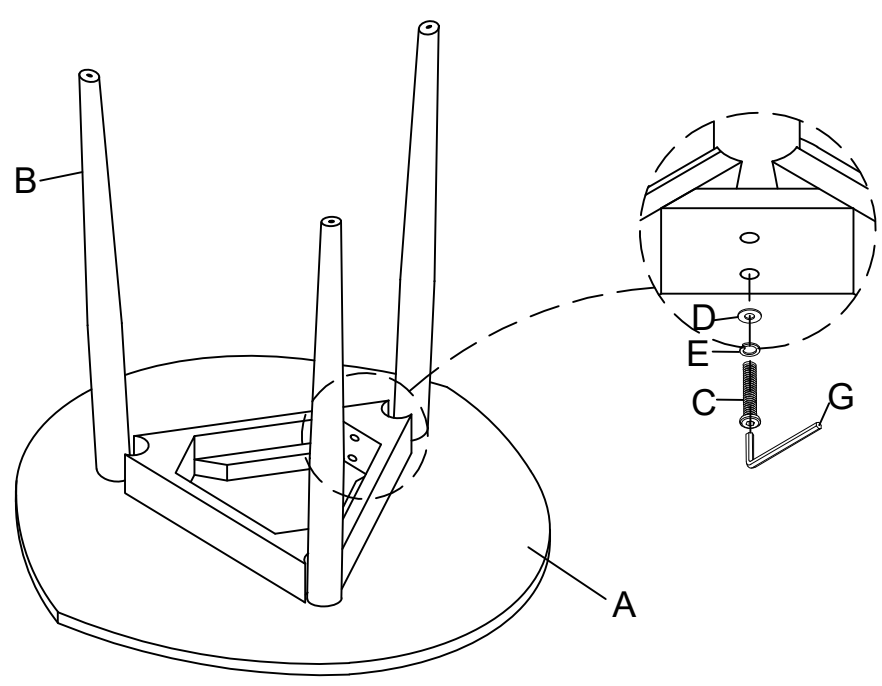


1pc

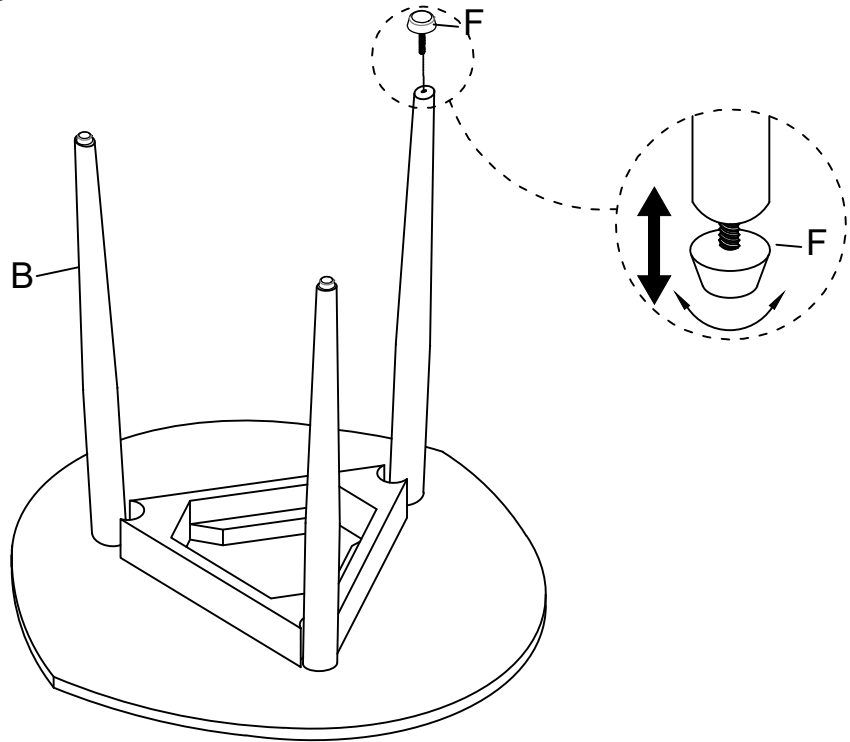


This page lists all the contents included in the box. Please take the time to identify the hardware as well as the individual components to this product. As you unpack and prepare for assembly, place the contents on a carpeted or padded area to protect them from damage.

1 Attach the Leg (B) to Top Panel (A) using Bolt (C), Lock Washer (E), Flat Washer (D) by Allen Key (G).



2 Assemble Levelers (F) to Leg (B).
Remark: If there is any gap between the legs and ground, please adjust the levelers until it reaches the ground.



Cleaning & Care

Treat surface with care. Surface is resistant to scratches but is not scratch resistant. Clean surfaces with a dry or damp soft cloth. Do not use abrasive cleaners. Hardware may loosen over time. Periodically check that all connections are tight.