




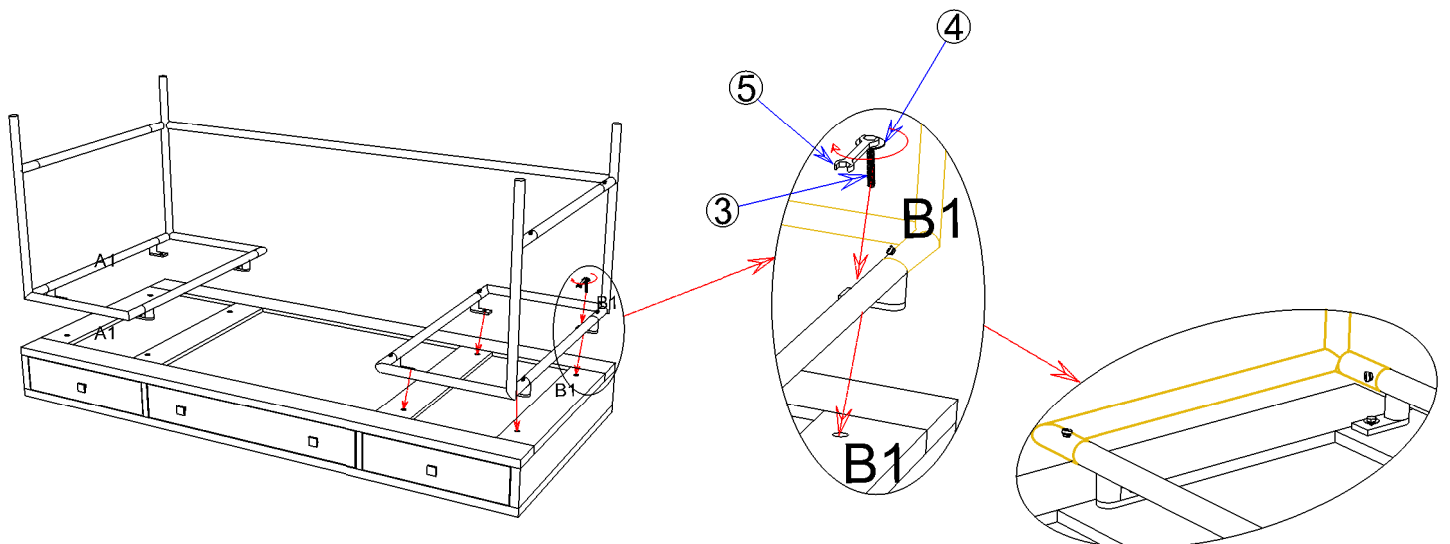
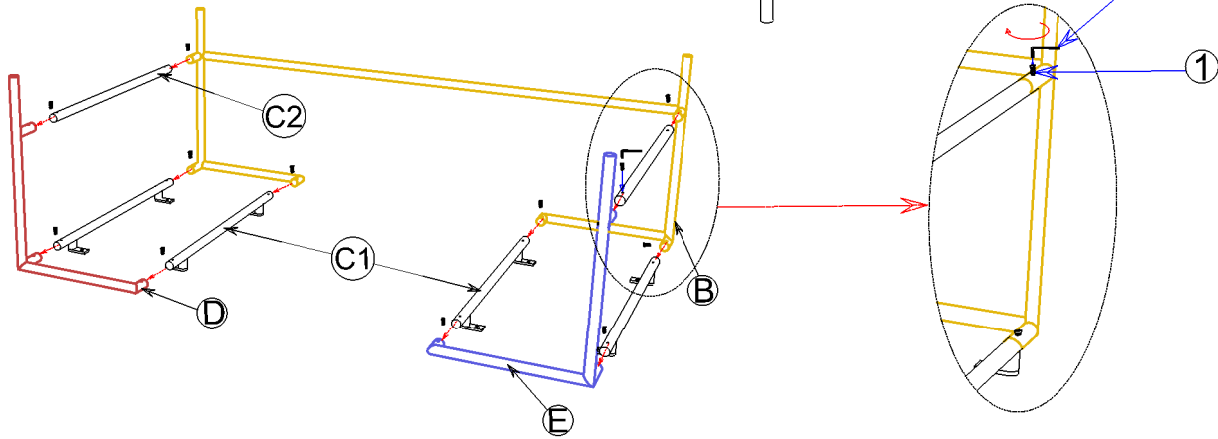
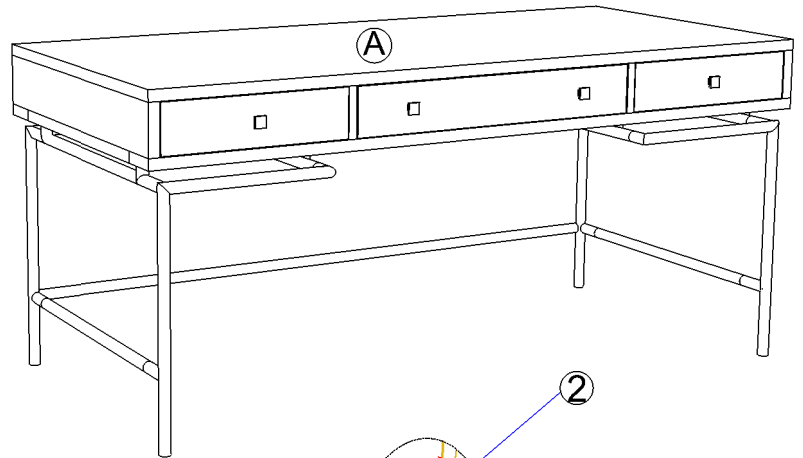


ASSEMBLY INSTRUCTION FOR 24250 DESK

HARDWARE LIST

NO.	ITEM	DESCRIPTIN	QTY.
1		JCB Bolt M6 X 16 MM	12
2		Allen key	1
3		HEX Bolt M8X25 MM	8
4		Flat washer M8X25 MM	8
5		Wrench	1



TO ASSEMBLY :

STEP 1 : Unpack desk.

STEP 2 : Assemble iron leg assemblies 'B', 'D' & 'E' to cross iron bar 'C1' (Qty 4) & 'C2' (Qty 2) using JCB bolt '1' (Qty 12) using Allen key (2). Tighten the bolt fully.

STEP 3 : Set iron base assembly on the upside down desk wooden top (A) . and fix with HEX bolt (3) and washer (4) using wrench (5) matching the numbers A1-A1 & B1-B1.

STEP 4 : Tighten bolts in step 3 fully with wrench (5) then carefully turn the desk upright.