




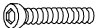



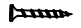
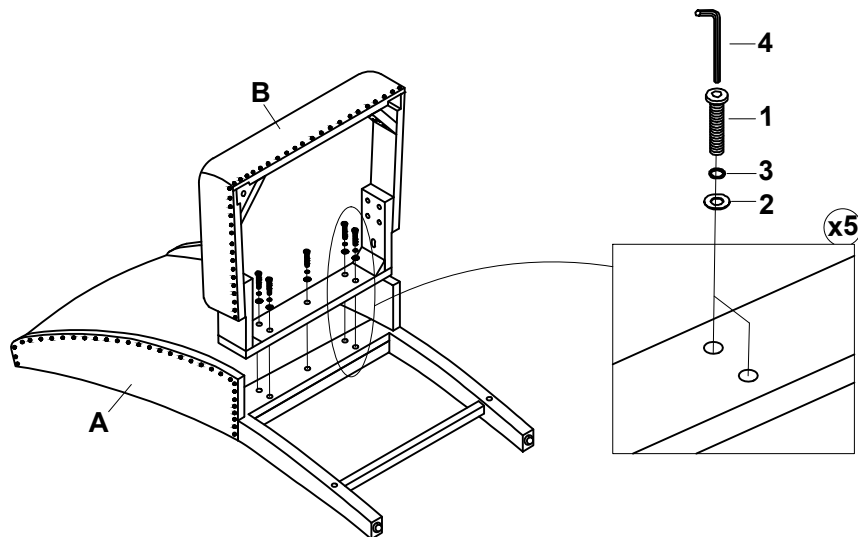


Thank you for purchasing this quality product. Be sure to check all packing materials carefully for small parts, which may have come loose inside the carton during shipment. Identify and count all items and compare with the parts list and/or hardware list shown below.

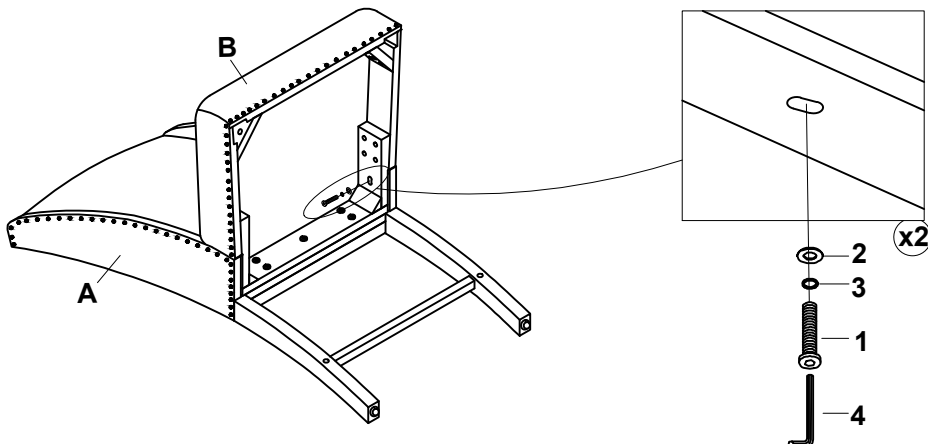
PARTS LIST			
No.	DESCRIPTION	SKETCH	Q'TY
A	BACK FRAME		2
B	SEAT CUSHION WITH FRAME		2
C	FRONT LEG		4
D	FRONT STRETCHER		2
E	SIDE STRETCHER		4

HARDWARE LIST			
No.	DESCRIPTION	SKETCH	Q'TY
1	ALLEN BOLT (5/16" x 2")		22
2	FLAT WASHER (5/16" x 0.86" x 0.06")		22
3	SPRING WASHER (5/16")		22
4	ALLEN KEY (M5)		2
5	FLAT HEAD SCREW (M4 x 1-3/4")		12

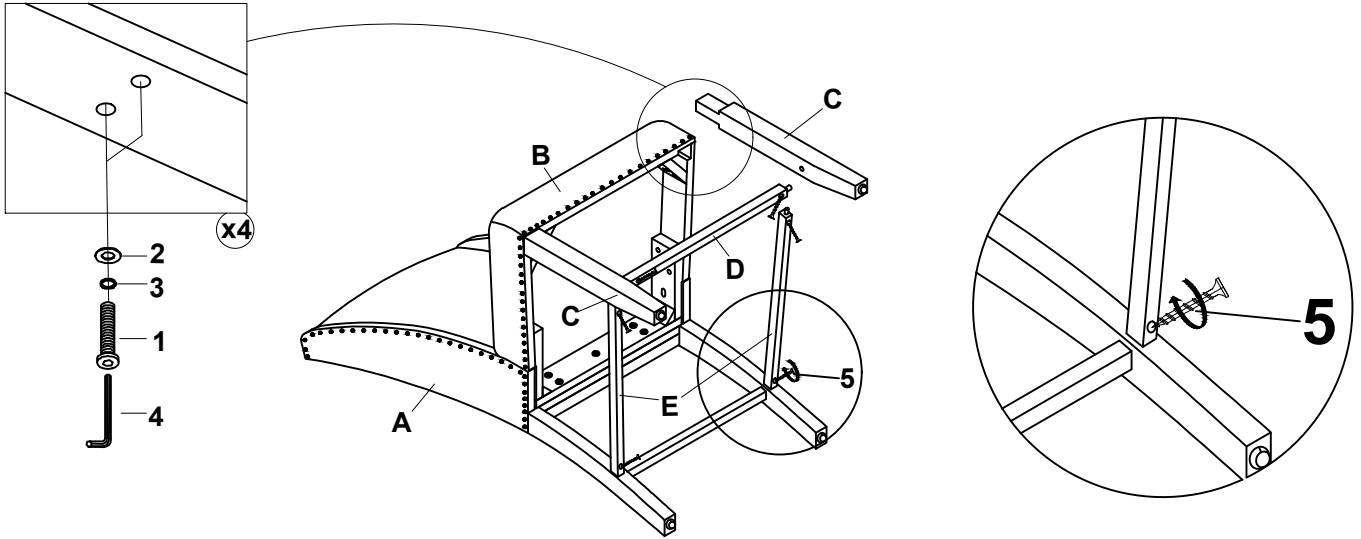
STEP 1



STEP 2



STEP 3



STEP 4: Completed

