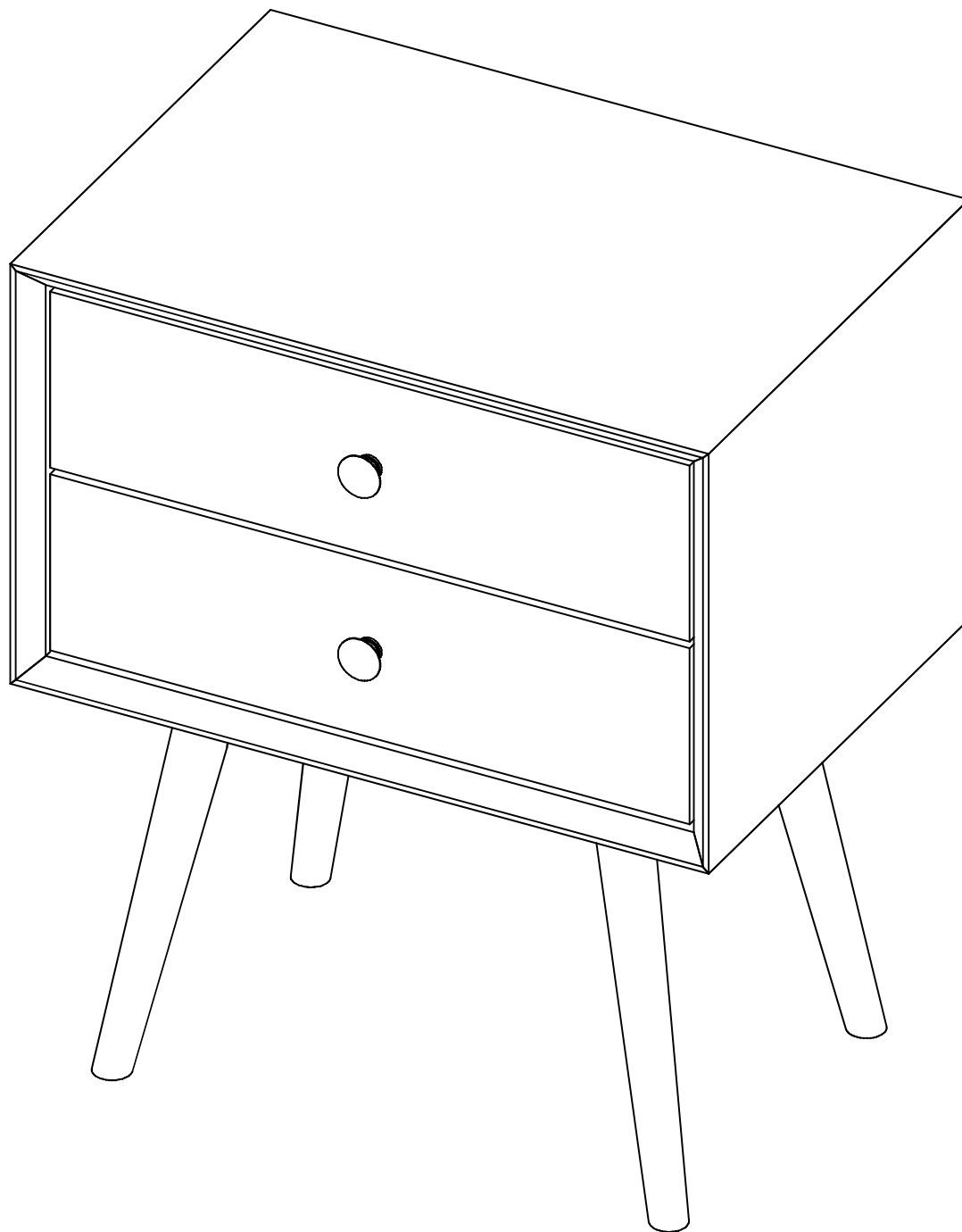


Item # : BR25MC2D

Assembly Instructions

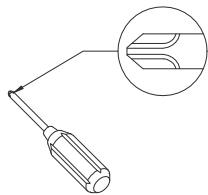


Please visit our website for the most current instructions, assembly tips, to report damage or request parts. www.walkerredson.com

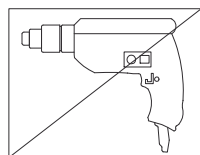
Revised 12/2018

General Assembly Guidelines

- I. Ensure that all parts and hardware are available before beginning assembly.
- II. Follow each step carefully to ensure the proper assembly of this product.
- III. Two people are recommended for ease in the assembly of this product.
- IV. The three main types of hardware used to assemble this product are wood dowels, screws and bolts.
- V. A Phillips head screwdriver is required for the assembly of this product.



- VI. Power tools should not be used to assemble this product.

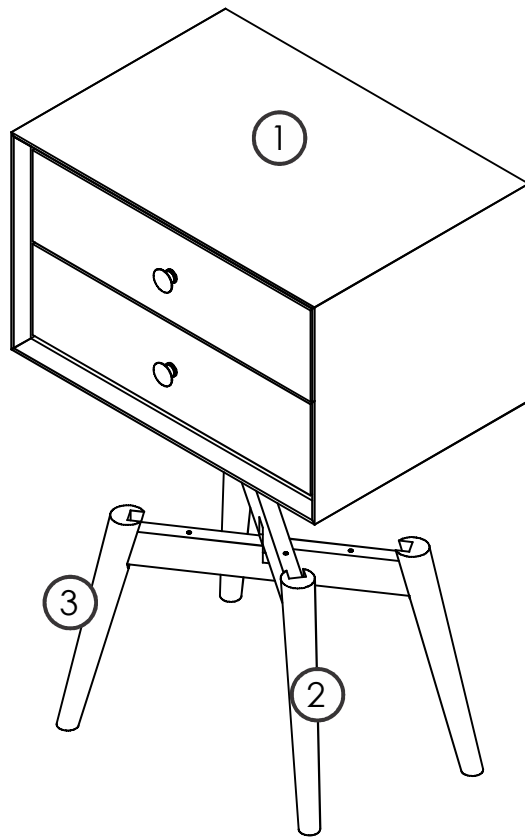


VII. Maintenance Guide

To maintain long term performance and easy gliding of your solid wood drawers, we recommend applying wax to the wooden guide rails.


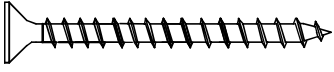

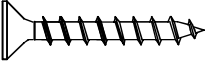
1. Bee's wax is recommended or Paraffin wax from a standard candle can be used.
2. Apply the wax by rubbing it on the wooden guide rails where there is wood-on-wood contact when opening and closing the drawer. (Wax should be room temperature, do not melt the wax onto the wood)
3. Wax should be applied every few months for the first year and then only when needed in order to keep the drawers sliding smoothly.

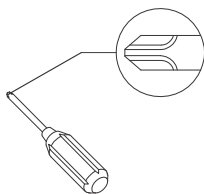
Parts List



Part	Description	Qty
1	Body	1
2	Legs	1
3	Legs	1

Hardware List

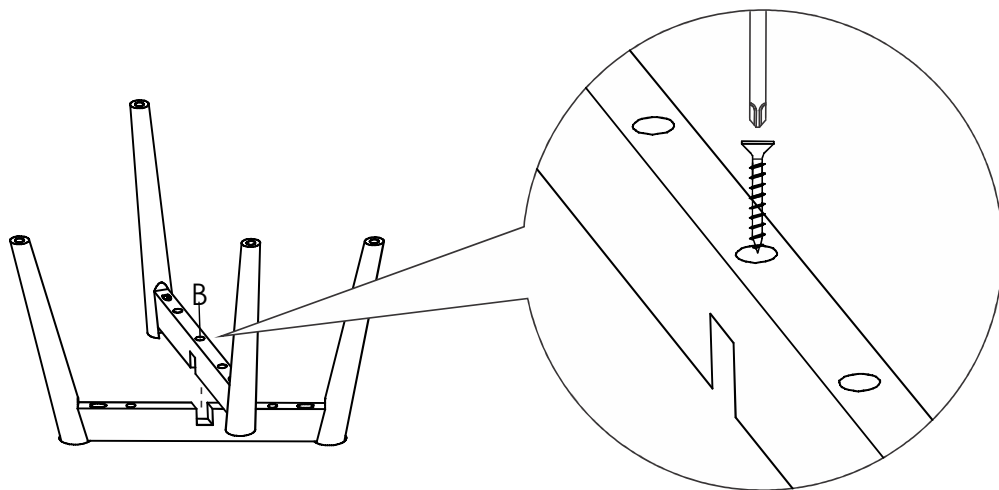
A			\varnothing 4,5x50	04 pcs
B			\varnothing 4,5x25	01 pcs



Phillips head screwdriver required for assembly
(not included)

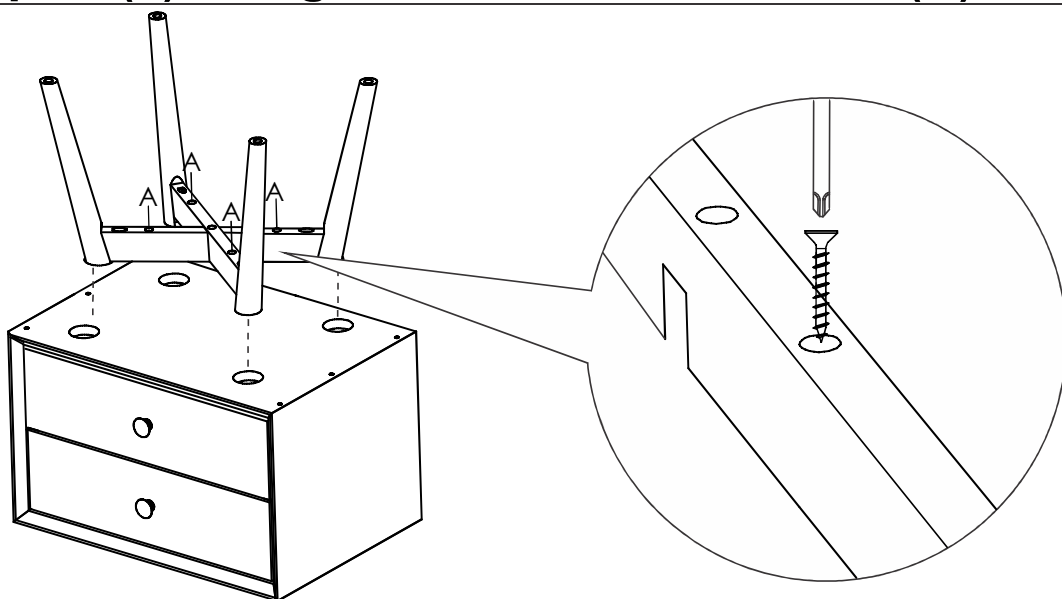
*The hardware quantities listed above are required for proper assembly.
Some extra hardware may also have been included.*

Step 1

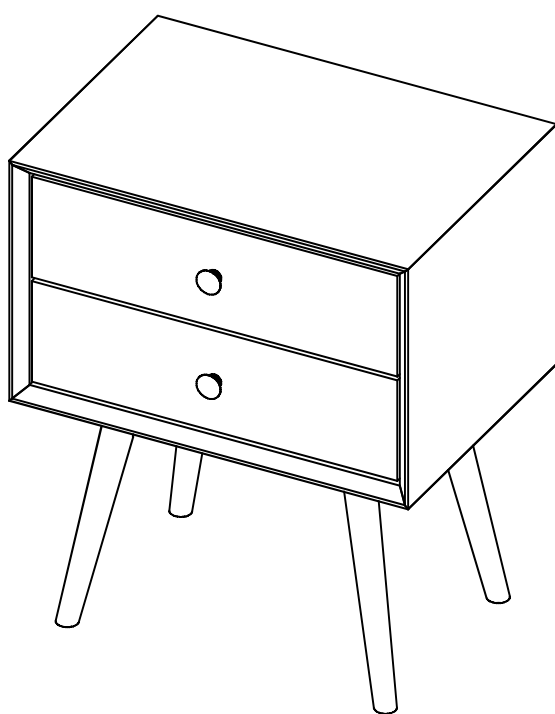


Attach part (2) to part (3) using screwdriver and screw (B)

Step 2



Attach legs (2,3) to body (1) USING SCREWDRIVER AND SCREW (A)



Assembly Complete!