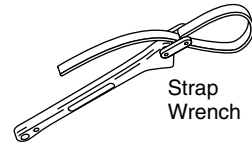
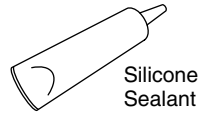


KALLISTA®

Installation Guide



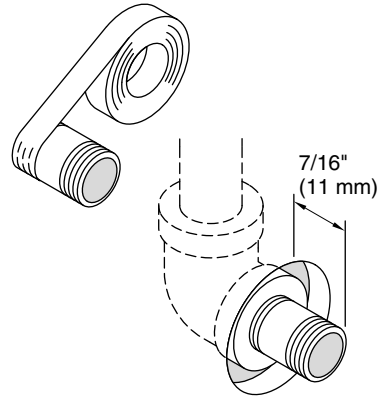
Plus:
• 1/2" NPT Pipe Nipple

Record your model number below for future reference:

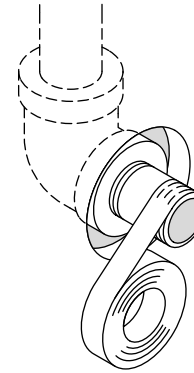
Important Information

Observe all local plumbing and building codes. The finished wall or bath/shower unit must be installed prior to installing this trim.

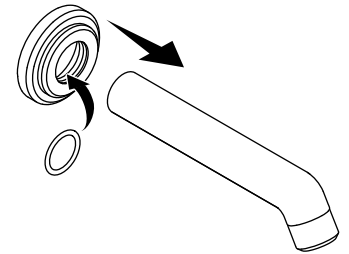
1 Apply sealant tape to one end of a 1/2" nipple. Install the nipple 7/16" (11 mm) from the finished wall.



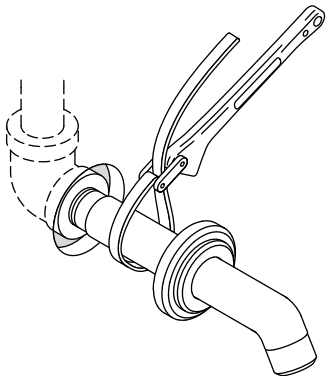
2 Apply sealant tape to the exposed end of the nipple.



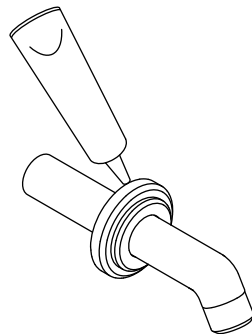
3 Make sure the O-ring is seated in the escutcheon, then slide onto the spout. Use care not to scratch the surface.



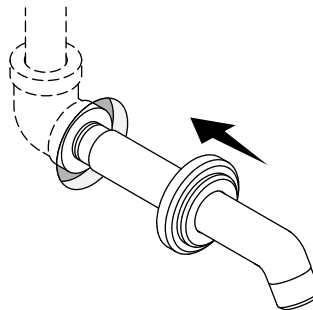
4 Use a clean strap wrench to tighten the spout onto the nipple.



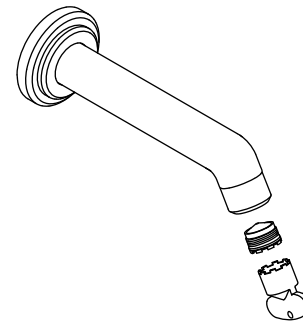
5 Apply a bead of silicone sealant to the back of the escutcheon.



6 Slide the escutcheon against the wall. Use care not to scratch the surface. Remove excess sealant.



7 Remove the aerator using the key.



8 Turn on the water for 1 minute to remove debris. Reinstall the aerator.

