



Embra™ by Studio McGee

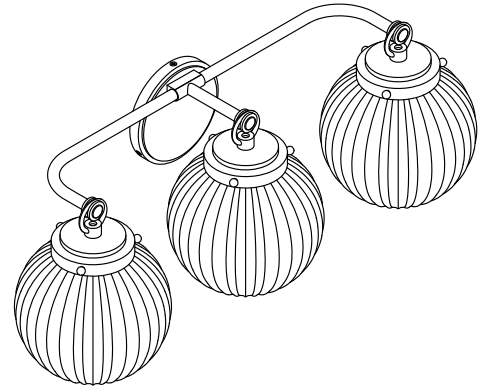
Three-light sconce
K-32254-SC03

Features

- Designed in collaboration with Studio McGee
- Globular glass shades extend from rods with flared metal detail in elegant transitional designs suited for any room
- Requires bulbs with medium (E26) base; type A19 bulb recommended (sold separately)
- Suitable for damp locations, per UL 1598
- Includes installation hardware
- Coordinates with other products in the Embra collection
- Fixture is dimmable when paired with dimmer switch and compatible bulbs

Material

- Premium metal and glass construction
- Manufactured with quality materials and complemented with a meticulous finishing process
- Durable finishes engineered to last and designed to coordinate with KOHLER faucet finishes



Codes/Standards

UL 1598
CSA C22.2 No. 250.0

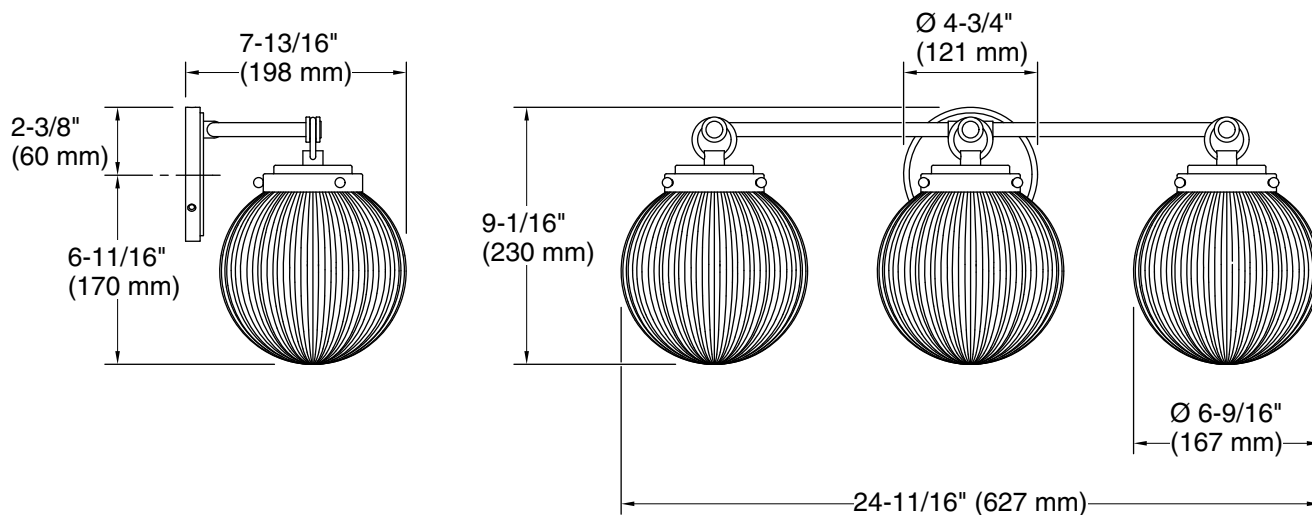
KOHLER® Indoor Lighting Fixtures Limited Warranty

See website for detailed warranty information.

Available Colors/Finishes

Color tiles intended for reference only.

Color	Code	Description
	SNL	Polished Nickel
	BNL	Brushed Nickel
	CPL	Polished Chrome
	BLL	Matte Black
	2GL	Brushed Moderne Brass



Required Electrical Service

One circuit required.

120 V, 1 A, 60 Hz

Technical Information

All product dimensions are nominal.

Material: Steel, Glass, Brass

Number of Lights: 3

Lighting Type: Socket-based

Socket Type: E-26 Medium

Number of Shades: 3

Shade Type: Clear Glass

Hanging Type: Non-hanging

Notes

Install this product according to the installation instructions.