

# F29315

# BOULDER BLUFF 2-IN-1 PLAYSET

**BILT.®** Easy step-by-step 3D interactive instructions for this product can be found in BILT.®. Download today.

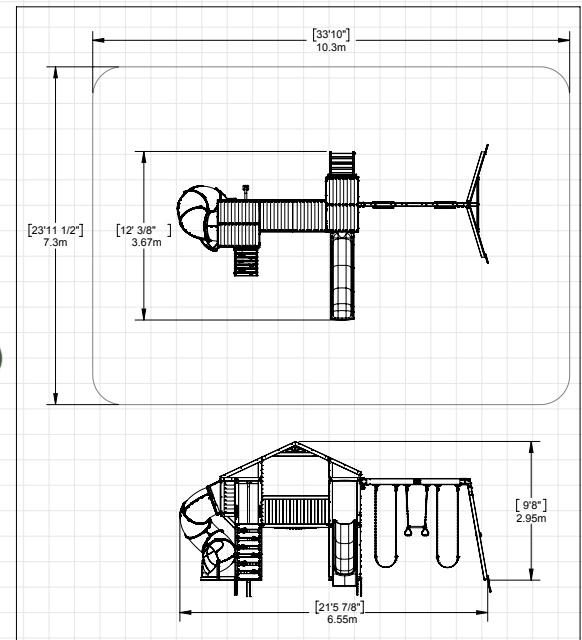


MAXIMUM VERTICAL FALL HEIGHT - 9'10" (3m).

CAPACITY - 10 Users Maximum, Ages 3 to 10; Weight Limit 110 lbs. (50 kg) per child.

RESIDENTIAL HOME USE ONLY. Not intended for public areas such as multi-unit residences, schools, churches, nurseries, day cares or parks.

## Option 1 - Attached Swing Beam Configuration



OBSTACLE FREE SAFETY ZONE - 33'-10" x 23'-11 1/2" x 16'-4 7/8" (10.3 m x 7.3 m x 5 m) area requires Protective Surfacing. See page 5.

IMPORTANT, RETAIN FOR FUTURE REFERENCE: READ CAREFULLY

# INSTALLATION AND OPERATING INSTRUCTIONS

## FOR 24/7 ONLINE PARTS REPLACEMENT

[parts.kidkraft.com](http://parts.kidkraft.com)

KidKraft, Inc.  
4630 Olin Road  
Dallas, Texas 75244  
USA

[customerservice@kidkraft.com](mailto:customerservice@kidkraft.com)

1.800.933.0771  
972.385.0100

[parts.kidkraft.eu](http://parts.kidkraft.eu)

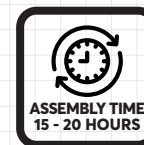
KidKraft Netherlands BV  
Olympisch Stadion 8  
1076 DE Amsterdam  
The Netherlands

[europcustomerservice@kidkraft.com](mailto:europcustomerservice@kidkraft.com)

+31 20 305 8620  
M-F from 09:00 to 17:30 (GMT+1)

9409315

Rev 09/05/2022



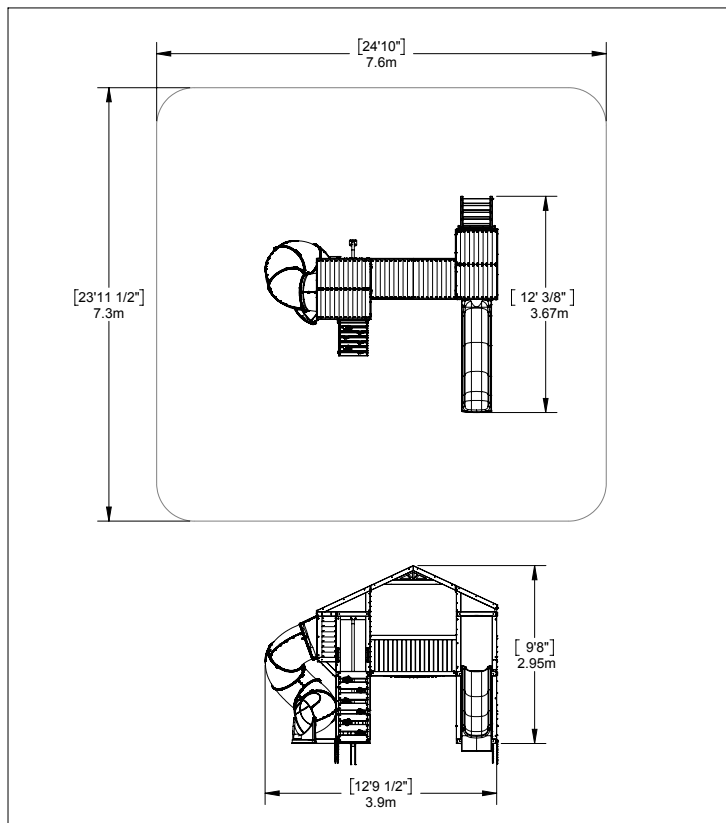
## WARNING

To reduce the risk of serious injury or death, please read and follow these instructions. Keep and refer to instructions as needed and pass along to any future owners of this item.

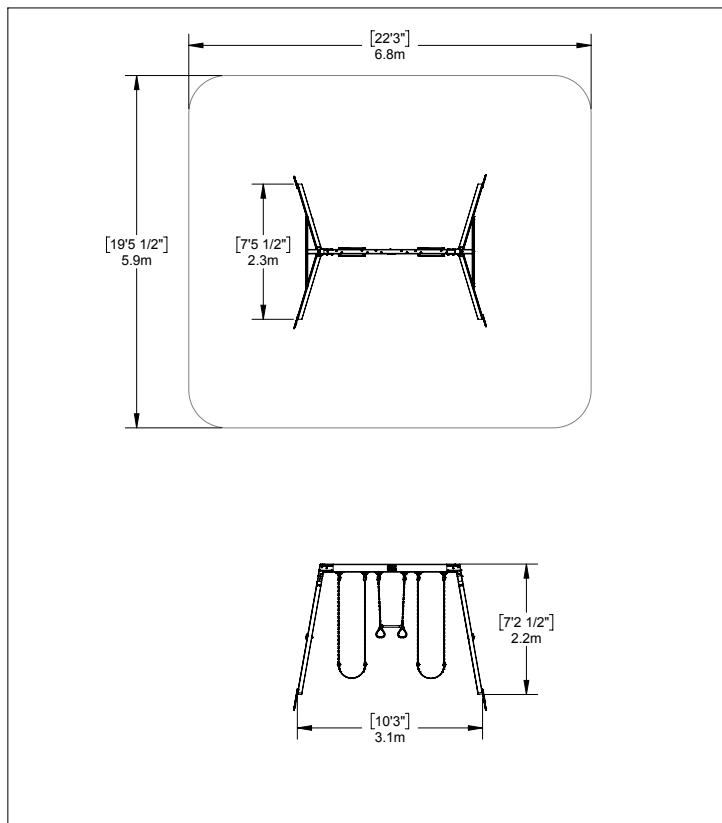
# Option 2 - Separate Swing Beam Configuration



**OBSTACLE FREE SAFETY ZONE** - 24'-10" x 23'-11 1/2" x 16'-4 7/8" (7.6 m x 7.3 m x 5 m)  
area requires Protective Surfacing. See page 5.



**OBSTACLE FREE SAFETY ZONE** - 22'-3" x 19'-5 1/2" x 13'-1 7/16" (6.8 m x 5.9 m x 4 m)  
area requires Protective Surfacing. See page 5.



## **Congratulations on purchasing a KidKraft product!**

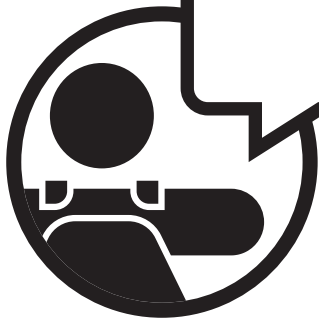
**Our items are made of high-quality, durable Cunninghamia Lanceolata wood from the cypress family.**

**Lumber from these trees are known for their light weight and excellent strength. The porosity of this wood allows the moisture to absorb and evaporate in the fibers, resisting rot and bugs.**

**Engineered for great play, our products also go through extensive testing for safety.**

**Plus, our team has developed a series of proprietary methods for a simpler, more organized assembly. Less build time and more play time is our motto!**

**However, during assembly if you have any questions or concerns, please reach out. Our Customer Service can help with missing parts, instructions or maintenance.**



## Warnings and Safe Play Instructions



**CONTINUOUS ADULT SUPERVISION REQUIRED.** Most serious injuries and deaths on playground equipment have occurred while children were unsupervised! Our products are designed to meet mandatory and voluntary safety standards. Complying with all warnings and recommendations in these instructions will reduce the risk of serious or fatal injury to children using this play system. Go over the warnings and safe play instructions regularly with your children and make certain that they understand and follow them. Remember on-site adult supervision is required for children of all ages.



### WARNING

#### SERIOUS HEAD INJURY HAZARD

Installation over concrete, asphalt, dirt, grass, carpet and other hard surface creates a risk of serious injury or death from falls to the ground. Install and maintain shock absorbing material under and around play-set as recommended on page 5 of these instructions.

#### COLLISION HAZARD

Place play-set on level ground at least 2m from any obstruction such as a garage or house, fences, poles, trees, sidewalks, walls, landscape timbers, rocks, pavement, planters, garden borders, overhanging branches, laundry lines, and electrical wires. (See OBSTACLE FREE SAFETY ZONE on cover)

#### CHOKING HAZARD/SHARP EDGES & POINTS

Adult assembly required. This product contains small parts and parts with sharp edges and points. Keep parts away from children until fully assembled.

#### WARNING LABEL

Owners shall be responsible for maintaining the legibility of the warning labels.

#### STRANGULATION HAZARD

- NEVER allow children to play with ropes, clotheslines, pet leashes, cables, chains or cord-like items when using this play-set or to attach these items to play-set.
- NEVER allow children to wear loose fitting clothing, ponchos, hoods, scarves, capes, necklaces, items with draw-strings, cords or ties when using this play-set.
- NEVER allow children to wear bike or sport helmets when using this play-set.

Failure to prohibit these items, even helmets with chin straps, increases the risk of serious injury and death to children from entanglement and strangulation.

#### TIP OVER HAZARD

Choose a level location for the equipment. This can reduce the likelihood of the play set tipping over and loose-fill surfacing materials washing away during heavy rains.

DO NOT allow children to play on the play-set until the assembly is complete and the unit is properly anchored.

Never add extra length to chain or rope. The chains or ropes provided are the maximum length designed for the swinging element(s).



### WARNING – Safe Play Instructions

- ✓ Observe capacity limitations of your play-set. See front cover.
- ✓ Dress children with well fitting and full foot enclosing footwear.
- ✓ Teach children to sit with their full weight in the center of the swing seat to prevent erratic swing motion or falling off.
- ✓ Check for splintered, broken or cracked wood; missing, loose, or sharp edged hardware. Replace, tighten and or sand smooth as required prior to playing.
- ✓ Verify that suspended climbing ropes, rope ladders, chain or cable are secured at both ends and cannot be looped back on itself as to create an entanglement hazard.
- ✓ On sunny and or hot days, check the slide and other plastic rides to assure that they are not very hot as to cause burns. Cool hot slide and rides with water and wipe dry prior to using.
- ✓ Orientate slide such that it gets the least amount of exposure to the sun.
- ✗ Do not allow children to wear open toe or heel footwear like sandals, flip-flops or clogs.
- ✗ Do not allow children to walk, in front, between, behind or close to moving rides.
- ✗ Do not let children twist swing chains or ropes or loop them over the top support bar. This may reduce the strength of the chain or rope and cause premature failure.
- ✗ Do not let children get off rides while they are in motion.
- ✗ Do not permit climbing on equipment when it is wet.
- ✗ Do not permit rough play or use of equipment in a manner for which it was not intended. Standing on or jumping from the roof, elevated platforms, swings, climbers, ladders or slide can be dangerous.
- ✗ Do not allow children to swing empty rides or seats.
- ✗ Do not allow children to go down slide head first or run up slide.



**KidKraft**  
MADE FOR MAKE BELIEVE™

parts.kidkraft.com

customerservice@kidkraft.com  
1.800.933.0771  
972.385.0100

# ! Protective Surfacing - Reducing Risk of Serious Head Injury From Falls

One of the most important things you can do to reduce the likelihood of serious head injuries is to install shock-absorbing protective surfacing under and around your play equipment. The protective surfacing should be applied to a depth that is suitable for the equipment height in accordance with ASTM F1292. There are different types of surfacing to choose from; whichever product you select, follow these guidelines:

## Loose-Fill Materials

- Maintain a minimum depth of 9 inches (23 cm) of loose-fill materials such as wood mulch/chips, engineered wood fiber (EWF), or shredded/recycled rubber mulch for equipment up to 8 feet (2.45 m) high; and 9 inches (23 cm) of sand or pea gravel for equipment up to 5 feet (1.5 m) high. NOTE: An initial fill level of 12 inches (31 cm) will compress to about a 9-inch (23 cm) depth of surfacing over time. The surfacing will also compact, displace, and settle, and should be periodically raked and refilled to maintain at least a 9-inch (23 cm) depth.
- Use a minimum of 6 inches (16 cm) of protective surfacing for play equipment less than 4 feet (1.22 m) in height. If maintained properly, this should be adequate. (At depths less than 6 inches (16 cm), the protective material is too easily displaced or compacted.)

NOTE: Do not install home playground equipment over concrete, asphalt, or any other hard surface. A fall onto a hard surface can result in serious injury to the equipment user. Grass and dirt are not considered protective surfacing because wear and environmental factors can reduce their shock absorbing effectiveness. Carpeting and thin mats are not adequate protective surfacing. Ground level equipment -- such as a sandbox, activity wall, playhouse or other equipment that has no elevated play surface -- does not need any protective surfacing.

- Use containment, such as digging out around the perimeter and/or lining the perimeter with landscape edging. Don't forget to account for water drainage.
- Periodically rake, check and maintain the depth of the loose-fill surfacing material. Marking the correct depth on the play equipment support posts will help you to see when the material has settled and needs to be raked and or replenished. Be sure to rake and evenly redistribute the surfacing in heavily used areas.
- Do not install loose fill surfacing over hard surfaces such as concrete or asphalt.

## Poured-In-Place Surfaces or Pre-Manufactured Rubber Tiles

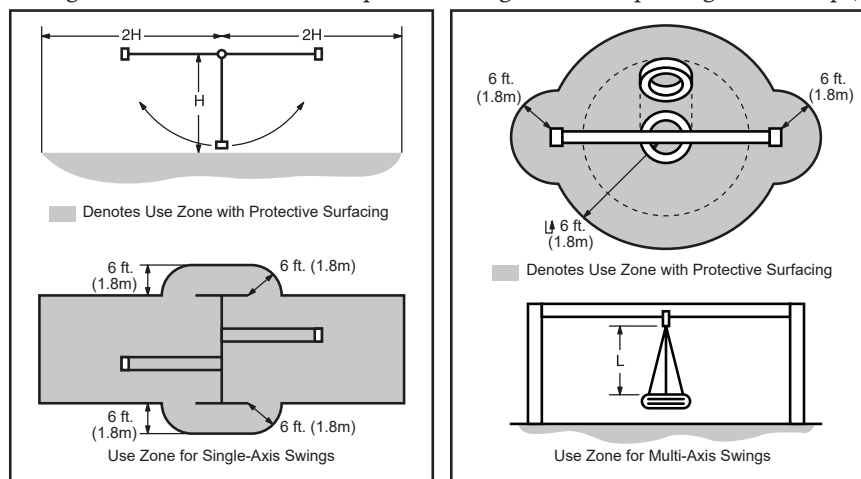
You may be interested in using surfacing other than loose-fill materials - like rubber tiles or poured-in-place surfaces.

- Installations of these surfaces generally require a professional and are not "do-it yourself" projects.
- Review surface specifications before purchasing this type of surfacing. Ask the installer/manufacturer for a report showing that the product has been tested to the following safety standard: ASTM F1292 *Standard Specification for Impact Attenuation of Surfacing Materials within the Use Zone of Playground Equipment*. This report should show the specific height for which the surface is intended to protect against serious head injury. This height should be equal to or greater than the fall height - vertical distance between a designated play surface (*elevated surface for standing, sitting, or climbing*) and the protective surfacing below - of your play equipment.
- Check the protective surfacing frequently for wear.

## Placement

Proper placement and maintenance of protective surfacing is essential. Refer to diagram on front cover. Be sure to;

- Extend surfacing at least 6 feet (1.8 m) from the equipment in all directions.
- For to-fro swings, extend protective surfacing in front of and behind the swing to a distance equal to twice the height of the top bar from which the swing is suspended.
- For tire swings, extend surfacing in a circle whose radius is equal to the height of the suspending chain or rope, plus 6 feet (1.8 m) in all directions.



From the CPSC Outdoor Home Playground Safety Handbook. At <http://www.playgroundregs.com/resources/CPSC%20324.pdf>

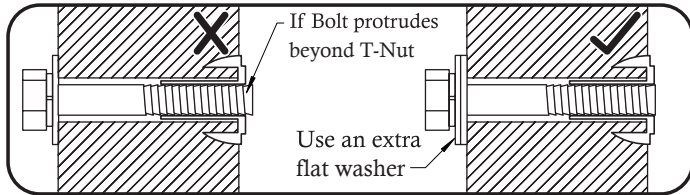
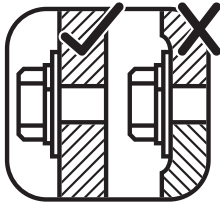
# Instructions for Proper Maintenance

Your KidKraft Play System is designed and constructed of quality materials with your child's safety in mind. As with all outdoor products used by children, it will weather and wear. To maximize the enjoyment, safety and life of your Play Set, it is important that you, the owner, properly maintain it.

## Check the following at the beginning of the play season:

### HARDWARE:

- ✓ Check metal parts for rust. If found, sand and repaint using a non-lead paint complying with 16 CFR 1303.
- ✓ Inspect and tighten all hardware. On wood assemblies **DO NOT OVER-TIGHTEN** as to cause crushing and splintering of wood.
- ✓ Check for sharp edges or protruding screw threads, add washers if required.



### SHOCK ABSORBING SURFACING:

- ✓ Check for foreign objects. Rake and check depth of loose fill protective surfacing materials to prevent compaction and maintain appropriate depth. Replace as necessary. (See Protective Surfacing, page 5)

### GROUND STAKES (ANCHORS):

- ✓ Check for looseness, damage or deterioration. Should firmly anchor unit to ground during use. Re-secure and or replace, if necessary.

### SWING HANGERS:

- ✓ Check that bolts are secure and tight. Quick clips should be completely closed and threaded clips screwed tight.
- ✓ If squeaking occurs lubricate bushings with oil or WD-40®.

### SWINGS, ROPES AND RIDES:

- ✓ Reinstall if removed during cold season. Check all moving parts including swing seats, ropes, chains and attachments for wear, rust and other deterioration. Replace as needed.
- ✓ Check that ropes are tight, secure at both ends and cannot loop back as to create an entrapment.

### WOOD PARTS:

- ✓ Check all wood members for deterioration, structural damage and splintering. Sand down splinters and replace deteriorated wood members. As with all wood, some checking and small cracks in grain is normal.
- ✓ Applying a water repellent or stain (water-based) on a yearly basis is important maintenance to maintain maximum life and performance of the product.

## Check twice a month during play season:

### HARDWARE:

- ✓ Inspect for tightness. Must be firmly against, but not crushing the wood. **DO NOT OVER-TIGHTEN.** This will cause splintering of wood.
- ✓ Check for sharp edges or protruding screw threads. Add washers if required.

### SHOCK ABSORBING SURFACING:

- ✓ Rake and check depth of loose fill protective surfacing materials to prevent compaction and maintain appropriate depth. Replace as necessary. (See Protective Surfacing, page 5)

## Check once a month during play season:

### SWING HANGERS:

- ✓ Check that they are secure and orientated correctly. Hook should rotate freely and perpendicular to support beam.
- ✓ If squeaking occurs lubricate bushings with oil or WD-40®.

### SWINGS AND RIDES:

- ✓ Check swing seats, all ropes, chains and attachments for fraying, wear, excessive corrosion or damage. Replace if structurally damaged or deteriorated.

## Check at the end of the play season:

### SWINGS AND RIDES:

- ✓ To prolong their life, remove swings and store inside when outside temperature is below 32°F/0°C. Below freezing, plastic parts may become more brittle.

### SHOCK ABSORBING SURFACING:

- ✓ Rake and check depth of loose fill protective surfacing materials to prevent compaction and maintain appropriate depth. Replace as necessary. (See Protective Surfacing, page 5)

**If you dispose of your play set:** Please disassemble and dispose of your unit so that it does not create any unreasonable hazards at the time it is discarded. Be sure to follow your local waste ordinances.

## About Our Wood

KidKraft Premium Play Systems uses only premium playset lumber, ensuring the safest product for your children's use. Although we take great care in selecting the best quality lumber available, wood is still a product of nature and susceptible to weathering which can change the appearance of your set.

### What causes weathering? Does it affect the strength of my Play System?

One of the main reasons for weathering is the effects of water (moisture); the moisture content of the wood at the surface is different than the interior of the wood. As the climate changes, moisture moves in or out of the wood, causing tension which can result in checking and or warping. You can expect the following due to weathering. These changes will not affect the strength of the product:

1. **Checking** is surface cracks in the wood along the grain. A post 4" x 4" (101mm x 101mm) will experience more checking than a board 1" x 4" (25mm x 101mm) because the surface and interior moisture content will vary more widely than in thinner wood.
2. **Warping** results from any distortion (twisting, cupping) from the original plane of the board and often happens from rapid wetting and drying of the wood.
3. **Fading** happens as a natural change in the wood color as it is exposed to sun-light and will turn a grey over time.

### How can I reduce the amount of weathering to my Play System?

At the factory we have coated the wood with a water repellent or stain. This coating decreases the amount of water absorption during rain or snow thus decreasing the tension in the wood. Sunlight will break down the coating, so we recommend applying a water repellent or stain on a yearly basis (see your local stain and paint supplier for a recommended product).

Most weathering is just the normal result of nature and will not affect safe play and enjoyment for your child. However if you are concerned that a part has experienced a severe weathering problem please call our consumer relations department for further assistance.

**Complete and mail registration card to receive important product notifications and assure prompt warranty service.**



# KidKraft Limited Warranty

## MISSING OR DAMAGED PARTS:

KidKraft will replace any parts within 90 days from date of purchase found to be missing from or damaged in the original packaging. See Fig. 1

Fig. 1	<u>Product Age (All Parts)</u> 0-90 Days from date of purchase	<u>Consumer Pays</u> \$0 for Part + Free Shipping
--------	---	--

## DEFECTS IN MATERIAL AND WORKMANSHIP:

KidKraft warrants that this product is free from defects in materials and workmanship for a period of one (1) year from the original date of purchase (dated sales receipt and/or product registration is required). This one (1) year warranty covers all parts including wood, hardware, and all accessories (Such as swings, rides, and slides). See Fig. 2

Fig. 2	<u>Product Age (All Parts)</u> 91 Days to 1 Year	<u>Consumer Pays</u> \$0 for Part + Free Shipping
--------	---	--

## WOOD ROT, DECAY, AND INSECT DAMAGE:

All wood carries a five (5) year warranty against rot, decay, and insect damage (dated sales receipt and/or product registration is required). Refer to the schedule below for charges associated with replacement of wood parts under this **Limited Warranty**. See Fig. 3

Fig. 3	<u>Product Age (Wood Parts)</u> 0 Days to 1 Year After 1 Year to 5 Year Over 5 Years	<u>Consumer Pays</u> \$0 for Part + Free Shipping \$0 for Part + Shipping & Handling 100% for Part (if available) + Shipping & Handling
--------	---	--

This warranty applies to the original owner and registrant and is non-transferable. Regular maintenance is required to ensure the integrity of this product. Failure by the owner to maintain the product according to the maintenance requirements may void this warranty.

This Limited Warranty does NOT cover:

- Any inspection cost
- Labor and/or costs for replacement of any defective item(s), including but not limited to, professional installer costs
- Incidental or consequential damages, including but not limited to, as a result of set relocation, move and/or reinstall
- Cosmetic defects which do not affect performance or integrity of a part or the entire product
- Vandalism, improper use or installation, or acts of nature, including but not limited to, high winds, fire, and flood
- Minor twisting, warping, checking, or any natural occurring properties of wood that do not affect performance or integrity.
- Any KidKraft product purchased, including but not limited to, a non-approved retailer, auction houses, second-hand, and as-is clearance items.

KidKraft products have been designed for safety and quality. Modifications made to the original product may damage the structural integrity of the unit leading to failure and possible injury. KidKraft cannot assume any responsibility for the modified products. Furthermore, modifications void all warranties.

This product is warranted for **RESIDENTIAL USE ONLY**. Under no circumstance should a KidKraft product be used in public settings such as schools, churches, playgrounds, parks, home and professional day cares and the like. Such use may lead to product failure and potential injury. Public use will void this warranty. KidKraft disclaims all other representations and warranties of any kind, express or implied.



parts.kidkraft.com

customerservice@kidkraft.com  
1.800.933.0771  
972.385.0100



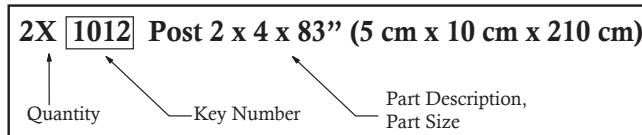
# Keys to Assembly Success

## Tools Required

<ul style="list-style-type: none"> <li>• Tape Measure</li> <li>• Carpenters Level</li> <li>• Carpenters Square</li> <li>• Claw Hammer</li> <li>• Standard or Cordless Drill</li> <li>• Rubber Mallet</li> </ul>	<ul style="list-style-type: none"> <li>• #1 Phillips, #2 Robertson and Screwdriver</li> <li>• Ratchet with extension 1/2" (13mm) &amp; 7/16" (11 mm) sockets</li> </ul>	<ul style="list-style-type: none"> <li>• Open End Wrench 1/2" (13mm) &amp; 7/16" (11 mm)</li> <li>• Adjustable Wrench</li> <li>• 1/8" (3mm) &amp; 3/16" (5mm) Drill Bits</li> <li>• 3/16" Hex Head Allen Wrench Driver Bit</li> </ul>	<ul style="list-style-type: none"> <li>• 3/16" (5mm) Hex Key</li> <li>• 8' (2.4m) Step Ladder</li> <li>• Safety Glasses</li> <li>• Adult Helpers</li> <li>• Pencil</li> </ul>
---	---	---	---

## Part Identification Key

On each page, you will find the parts and quantities required to complete the assembly step illustrated on that page. Here is a sample.



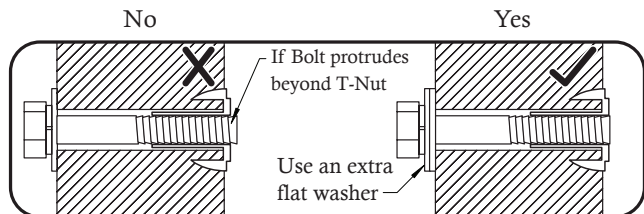
## Symbols

Throughout these instructions symbols are provided as important reminders for proper and safe assembly.

<p>This identifies information that requires special attention. Improper assembly could lead to an unsafe or dangerous condition.</p>	<p>Check that set or assembly is properly level before proceeding.</p> <p>Use Level</p>
<p>Use Help</p> <p>Use Help</p> <p>Where this is shown, 2 or 3 people are required to safely complete the step. To avoid injury or damage to the assembly make sure to get help!</p>	<p>Pre-drill 1/8" (3mm) &amp; 3/16" (5mm) Bit</p> <p>Pre-drill a pilot hole before fastening screw or lag to prevent splitting of wood.</p> <p>3mm 5mm</p>
<p>Measure Distance</p> <p>Check that assembly is square before tightening bolts.</p> <p>Square Assembly</p> <p>Use a measuring tape to assure proper location.</p>	<p>Tighten Bolts</p> <p>This indicates time to tighten bolts, but not too tight! Do not crush the wood. This may create splinters and cause structural damage.</p>

## CAUTION – Protrusion Hazard

Once the assembly is tightened, watch for exposed threads. If a thread protrudes from the T-Nut, remove the bolt and add washers to eliminate this condition. Extra washers have been provided for this purpose.

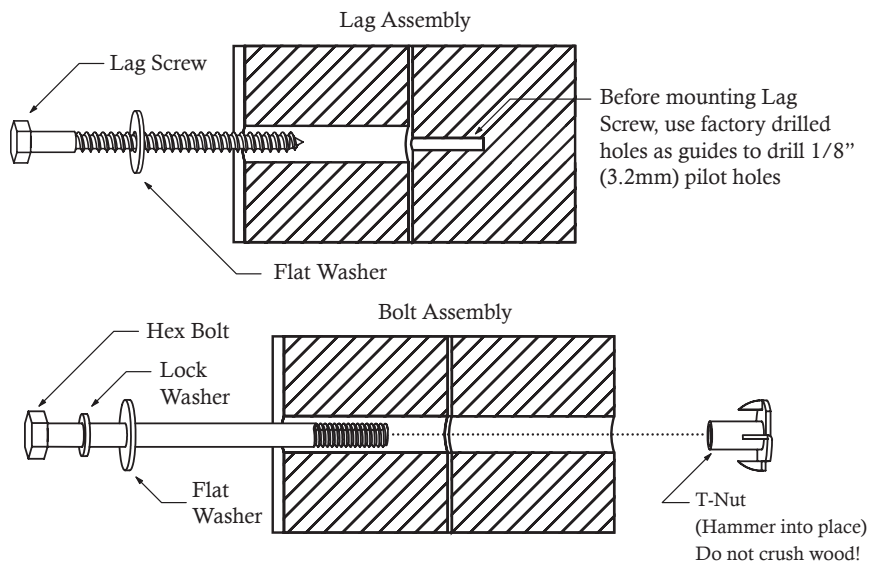


## Proper Hardware Assembly

Lag screws require drilling pilot holes to avoid splitting wood. Only a flat washer is required. For ease of installation liquid soap can be used on all lag-type screws.

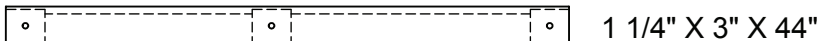
For bolts, tap T-Nut into hole with hammer. Insert the hex bolt through lock washer first then flat washer then hole. Because the assemblies need to be squared do not completely tighten until instructed. Pay close attention to diameter of the bolts. 5/16" (8mm) is slightly larger than 1/4" (6.4mm).

Note: Wafer head bolts with blue lock tight or a bolt with a Ny-Lok nut do NOT require a lock washer.

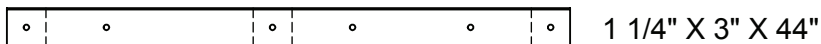


## Part Identification (Reduced Size)

1x - [10215] - 31.8 x 76.2 x 1117.6 mm - 38110215



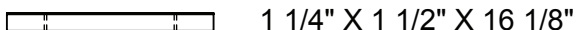
1x - [10216] - 31.8 x 76.2 x 1117.6 mm - 38110216



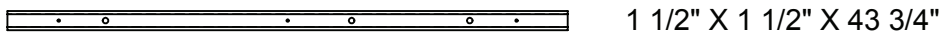
1x - [10217] - 31.8 x 76.2 x 565.1 mm - 38110217



1x - [10218] - 31.8 x 38.1 x 410.2 mm - 38110218



2x - [10219] - 38.1 x 38.1 x 1111.6 mm - 38110219



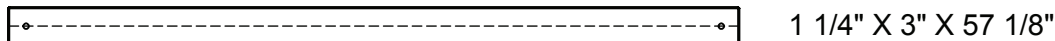
9x - [10220] - 15.9 x 114.3 x 612 mm - 35810220



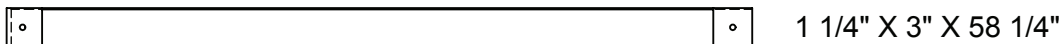
1x - [10221] - 15.9 x 76.2 x 612 mm - 35810221



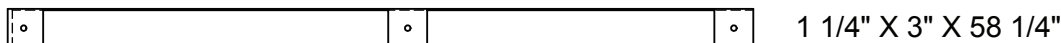
2x - [10223] - 31.8 x 76.2 x 1451.6 mm - 38110223



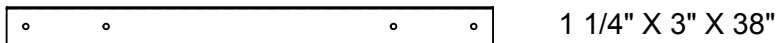
1x - [10224] - 31.8 x 76.2 x 1479.6 mm - 38110224



2x - [10225] - 31.8 x 76.2 x 1479.6 mm - 38110225



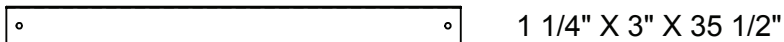
2x - [10228] - 31.8 x 76.2 x 965.1 mm - 38110228



2x - [10229] - 31.8 x 76.2 x 1435.1 mm - 38110229

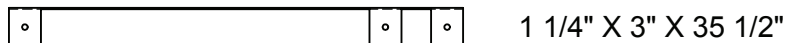


1x - [10230] - 31.8 x 76.2 x 901.5 mm - 38110230



## Part Identification (Reduced Size)

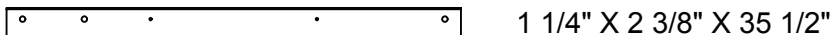
2x - **10231** - 31.8 x 76.2 x 901.5 mm - 38110231



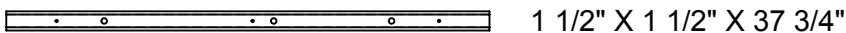
3x - **10232** - 31.8 x 63.5 x 843.4 mm - 38110232



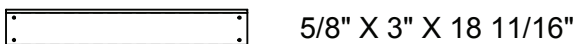
1x - **10233** - 31.8 x 60.3 x 901.5 mm - 38110233



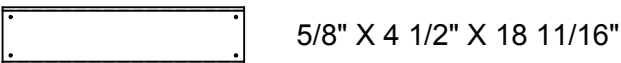
2x - **10234** - 38.1 x 38.1 x 959 mm - 38110234



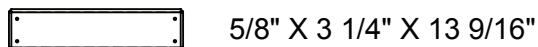
2x - **10235** - 15.9 x 76.2 x 475.2 mm - 35810235



7x - **10236** - 15.9 x 114.3 x 475.2 mm - 35810236



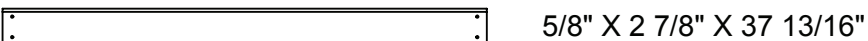
1x - **10237** - 15.9 x 82.6 x 345.2 mm - 35810237



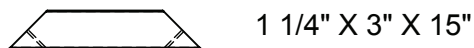
8x - **10238** - 15.9 x 101.6 x 345.2 mm - 35810238



2x - **10239** - 15.9 x 72.6 x 961.1 mm - 38110239



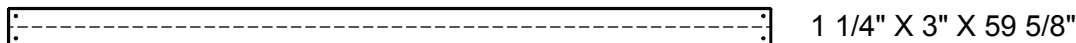
6x - **10240** - 31.8 x 76.2 x 381 mm - 38110240



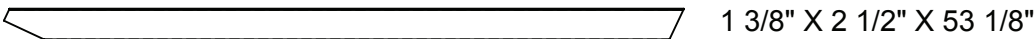
23x - **10241** - 15.9 x 76.2 x 648.2 mm - 38110241



2x - **10242** - 31.8 x 76.2 x 1515.2 mm - 38110242

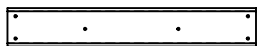


2x - **10243** - 34.9 x 63.5 x 1349.3 mm - 38110243



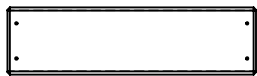
## Part Identification (Reduced Size)

1x - [10244] - 15.9 x 76.2 x 493 mm - 38110244



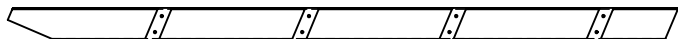
5/8" X 3" X 19 7/16"

7x - [10245] - 15.9 x 133.4 x 493 mm - 38110245



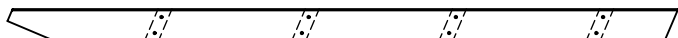
5/8" X 5 1/4" X 19 7/16"

1x - [10246] - 34.9 x 63.5 x 1330.9 mm - 35810246



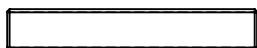
1 3/8" X 2 1/2" X 52 3/8"

1x - [10247] - 34.9 x 63.5 x 1330.9 mm - 35810247



1 3/8" X 2 1/2" X 52 3/8"

4x - [10248] - 23.8 x 82.6 x 489.4 mm - 35810248



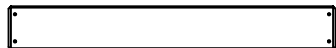
15/16" X 3 1/4" X 19 1/4"

2x - [10249] - 15.9 x 76.2 x 528.2 mm - 35810249



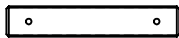
5/8" X 3" X 20 13/16"

4x - [10250] - 15.9 x 85.7 x 648.8 mm - 35810250



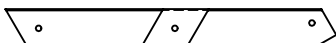
5/8" X 3 3/8" X 25 9/16"

2x - [10251] - 31.8 x 60.3 x 342.8 mm - 38110251



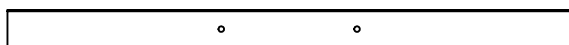
1 1/4" X 2 3/8" X 13 1/2"

2x - [10252] - 31.8 x 76.2 x 656.8 mm - 38110252



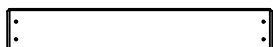
1 1/4" X 3" X 25 7/8"

1x - [10253] - 31.8 x 76.2 x 1117.6 mm - 38110253



1 1/4" X 3" X 44"

4x - [10254] - 15.9 x 85.7 x 526 mm - 35810254



5/8" X 3 3/8" X 20 11/16"

4x - [10255] - 34.9 x 63.5 x 171.4 mm - 38110255



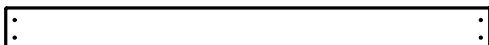
1 3/8" X 2 1/2" X 6 3/4"

4x - [10590] - 34.9 x 63.5 x 215 mm - 38110590



1 3/8" X 2 1/2" X 8 1/8"

3x - [10256] - 23.8 x 85.7 x 963.2 mm - 35810256



15/16" X 3 3/8" X 37 15/16"



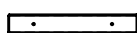
**KidKraft**  
MADE FOR MAKE BELIEVE™

parts.kidkraft.com

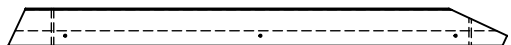
customerservice@kidkraft.com  
1.800.933.0771  
972.385.0100

## Part Identification (Reduced Size)

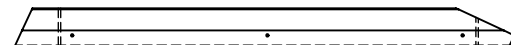
2x - [10257] - 38.1 x 38.1 x 257.1 mm - 35810257

 1 1/2" X 1 1/2" X 10 1/8"

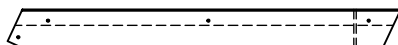
1x - [10258] - 31.8 x 76.2 x 991.4 mm - 38110258

 1 1/4" X 3" X 39 1/16"

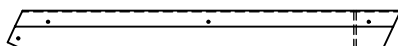
1x - [10259] - 31.8 x 76.2 x 991.4 mm - 38110259

 1 1/4" X 3" X 39 1/16"

1x - [10260] - 31.8 x 76.2 x 780 mm - 38110260

 1 1/4" X 3" X 30 11/16"

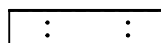
1x - [10261] - 31.8 x 76.2 x 780 mm - 38110261

 1 1/4" X 3" X 30 11/16"

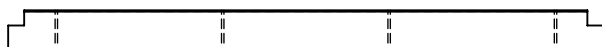
4x - [10262] - 31.8 x 76.2 x 355 mm - 38110262

 1 1/4" X 3" X 14"

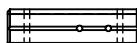
2x - [10263] - 31.8 x 76.2 x 312 mm - 38110263

 1 1/4" X 3" X 12 5/16"

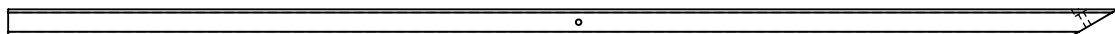
1x - [10264] - 31.8 x 82.6 x 1181.2 mm - 38110264

 1 1/4" X 3 1/4" X 46 1/2"

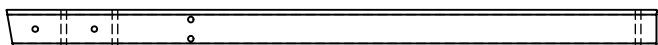
1x - [10265] - 76.2 x 76.2 x 260.9 mm - 38110265

 3" X 3" X 10 1/4"

4x - [2613] - 50.8 x 76.2 x 2201.9 mm - 3812613

 2" X 3" X 86 11/16"

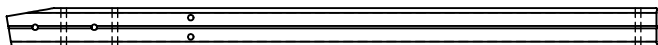
1x - [2615] - 76.2 x 76.2 x 1294.3 mm - 3812615

 3" X 3" X 50 15/16"

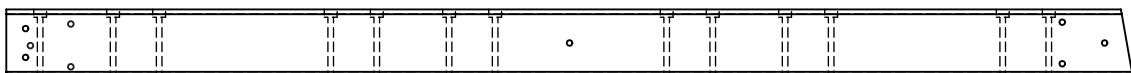
2x - [2616] - 23.8 x 82.6 x 1181.1 mm - 3812616

 15/16" X 3 1/4" X 46 1/2"

1x - [10586] - 76.2 x 76.2 x 1294.3 mm - 38110586

 3" X 3" X 50 15/16"

1x - [10587] - 76.2 x 133.4 x 2235.2 mm - 38110587

 3" X 5 1/4" X 88"

## Part Identification (Reduced Size)

1x - [10266] - 15.9 x 114.3 x 1028.7 mm - 38110266



5/8" X 4 1/2" X 40 1/2"

1x - [10267] - 15.9 x 114.3 x 1181.2 mm - 38110267



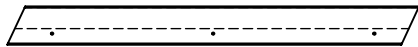
5/8" X 4 1/2" X 46 1/2"

2x - [10268] - 31.8 x 76.2 x 1000 mm - 38110268



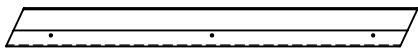
1 1/4" X 3" X 39 3/8"

2x - [10269] - 31.8 x 76.2 x 817.4 mm - 38110269



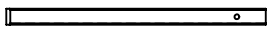
1 1/4" X 3" X 32 3/16"

2x - [10270] - 31.8 x 76.2 x 817.4 mm - 38110270



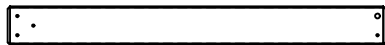
1 1/4" X 3" X 32 3/16"

1x - [8965] - 31.75 x 76.2 x 514.4 - 3818965



1 1/4" x 3" x 20 1/4"

1x - [10271] - 31.8 x 76.2 x 749.58 - 38110271



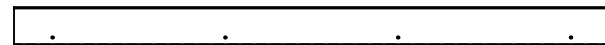
1 1/4" x 3" x 29 1/2"

1x - [10588] - 15.9 x 76.2 x 1028.7 mm - 38110588



5/8" X 3" X 40 1/2"

1x - [10589] - 15.9 x 76.2 x 1181.2 mm - 38110589



5/8" X 3" X 46 1/2"

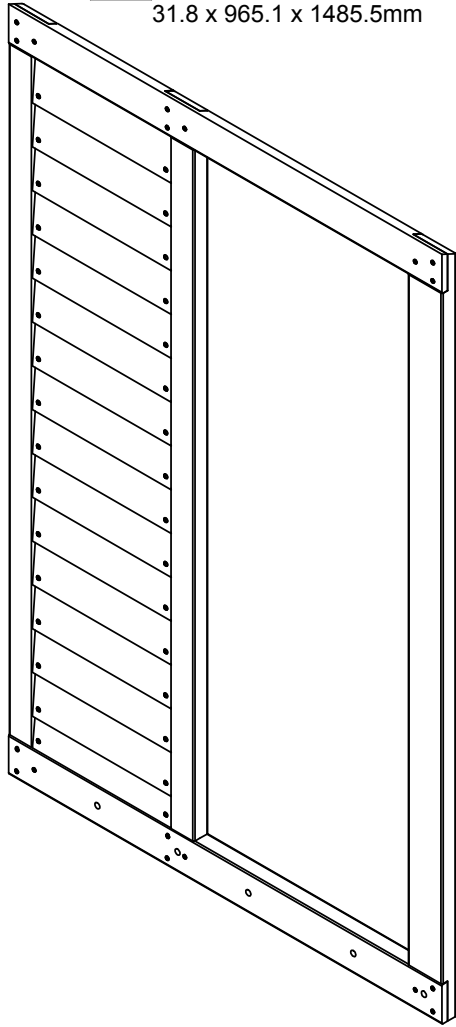
2x - [10638] - 15.9 x 63.5 x 76.2 mm - 38110638



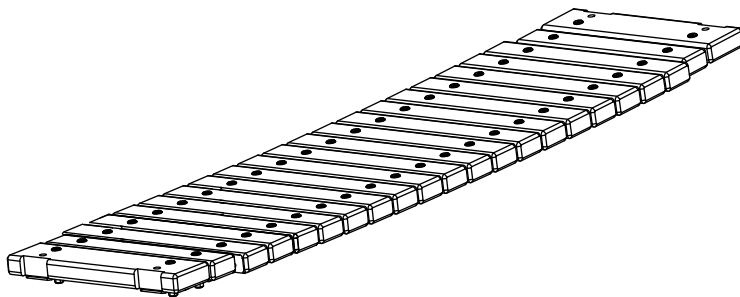
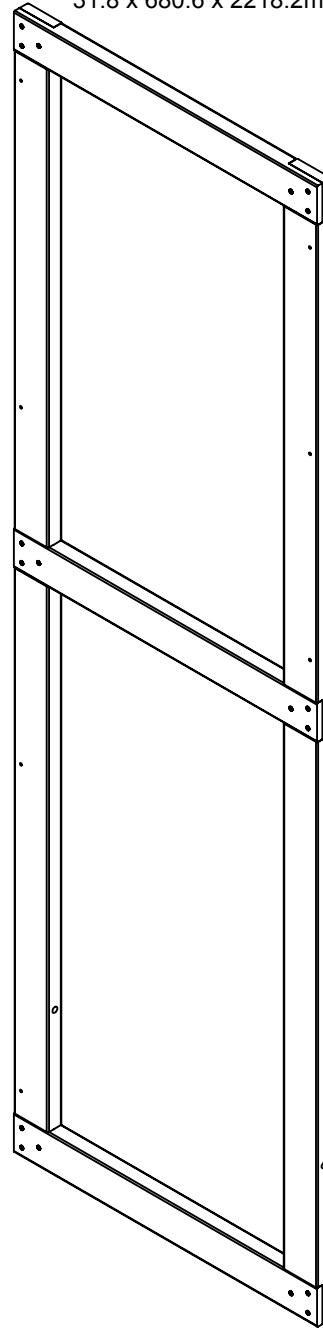
5/8" x 2 1/2" x 3"

# Part Identification (Reduced Size)

1x -[9398] - 1 1/4" x 38" x 58 1/2" - 37819398  
31.8 x 965.1 x 1485.5mm



1x -[9366] - 1 1/4" x 26 13/16" x 87 5/16" - 37819366  
31.8 x 680.6 x 2218.2mm

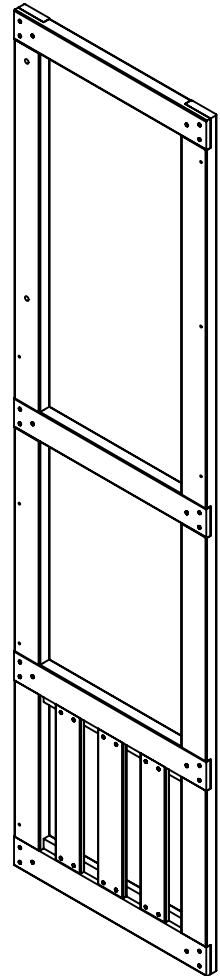
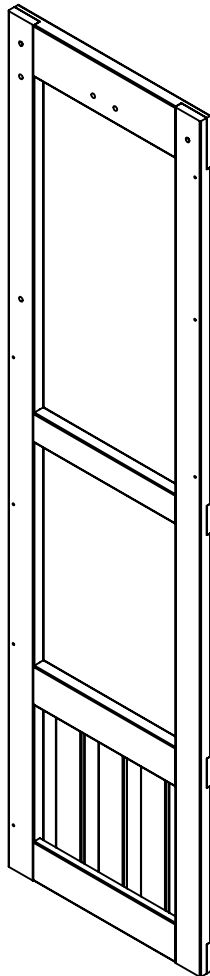
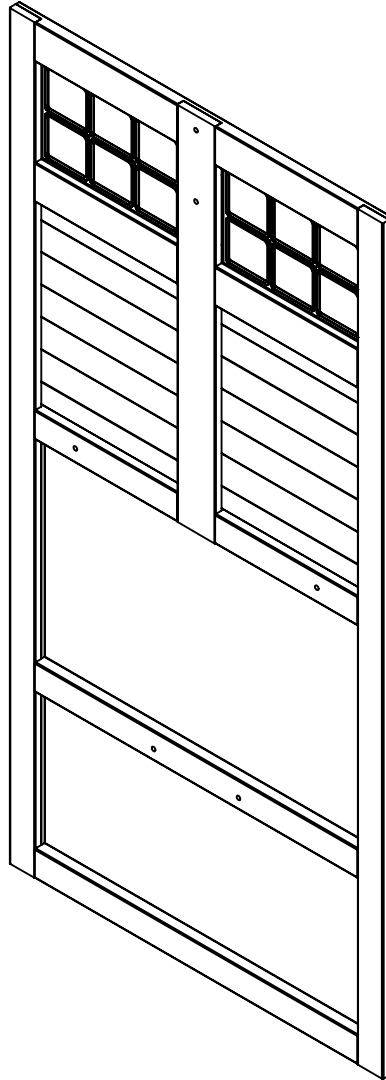
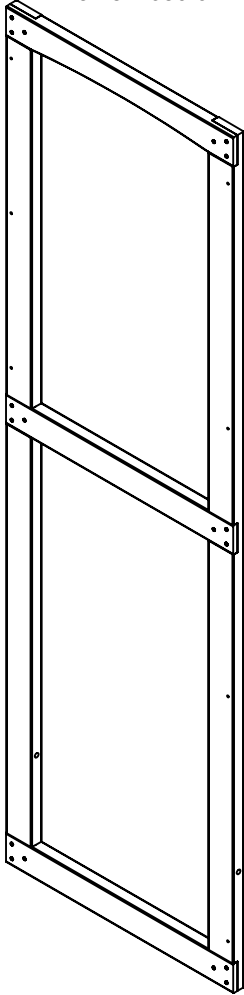


1x -[9365] - 37589365

# Part Identification (Reduced Size)

1x - [9367] - 1 1/4" x 26 13/16" x 87 5/16" - 37819367  
31.8 x 680.6 x 2218.2mm

1x - [9368] - 1 1/4" x 44" x 87 5/16" - 37819368  
31.8 x 1117.6 x 2218.2mm



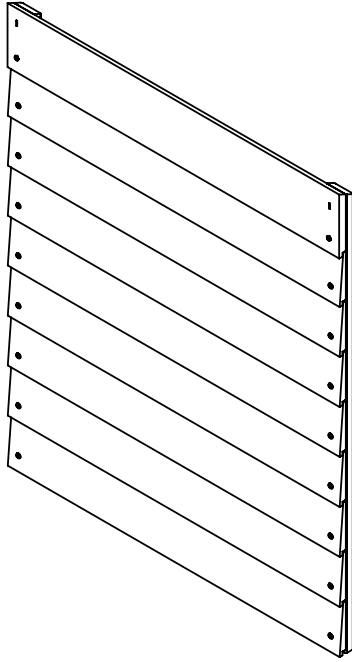
1x - [9369] - 1 1/4" x 22 11/16" x 87 5/16" - 37819369  
31.8 x 575.6 x 2218.2mm

1x - [9372] - 1 1/4" x 22 11/16" x 87 5/16" - 37819372  
31.8 x 575.6 x 2218.2mm

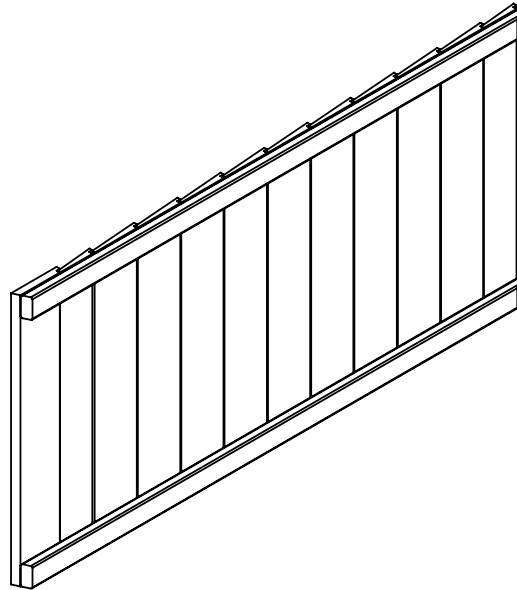
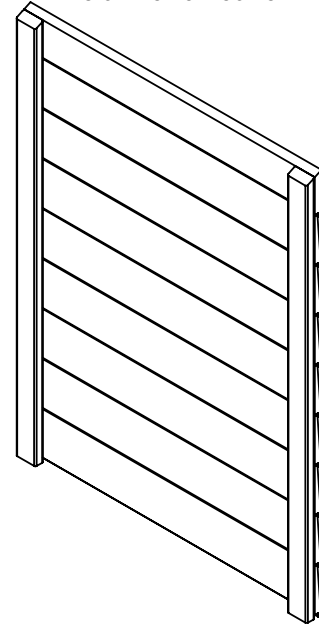


# Part Identification (Reduced Size)

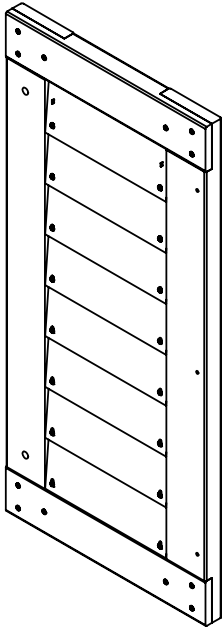
2x -**[9373]** - 1 1/8" x 30 3/4" x 25 1/2" - 37589373  
28.6 x 781.7 x 647.3mm



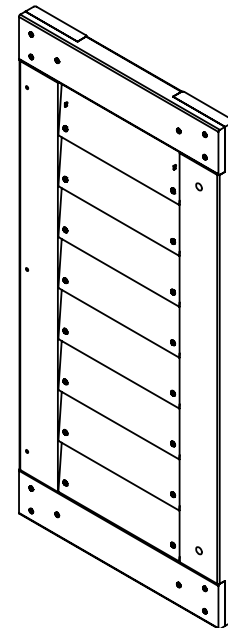
2x -**[9375]** - 1 1/8" x 29 5/8" x 22 5/16" - 37589375  
28.6 x 751.9 x 567.5mm



2x -**[9374]** - 1 1/8" x 38 9/16" x 19 3/8" - 37589374  
28.6 x 979.8 x 492.1mm



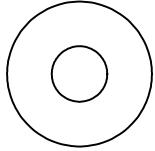
1x -**[9370]** - 1 1/4" x 15 5/16" x 33 3/16" - 37819370  
31.8 x 389.6 x 843.4mm



1x -**[9371]** - 1 1/4" x 15 5/16" x 33 3/16" - 37819371  
31.8 x 389.6 x 843.4mm

# Hardware Identification (Actual Size)

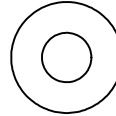
17 x **(FW1)** - 1/4" - 51103200  
6.4mm



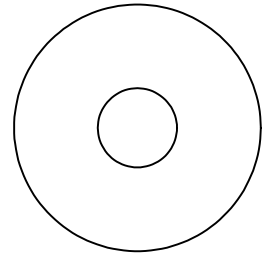
10 x **(LW1)** - 1/4" - 51303200  
6.4mm



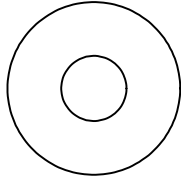
9 x **(FW0)** - 3/16" - 51103100  
4.8mm



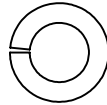
4 x **(FW20)** - 3/8" - 51103801  
9.5mm



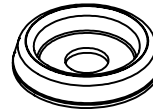
105 x **(FW2)** - 5/16" - 51103300  
7.9mm



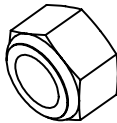
58 x **(LW2)** - 5/16" - 51303300  
7.9mm



8 x **(FW6)** - #12 - 9299500



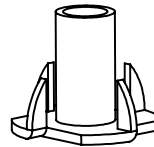
31 x **(LN2)** - 5/16" - 54303300  
7.9mm



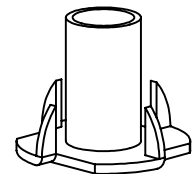
70 x **(LN1)** - 1/4" - 54303200  
6.4mm



1 x **(TN1)** - 1/4" - 54503200  
6.4mm



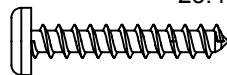
64 x **(TN2)** - 5/16" - 54503300  
7.9mm



46 x **(S0)** - #8 x 7/8" - 52933505  
22.2mm



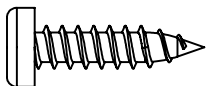
3 x **(S10)** - #8x 1" - 52433510  
25.4mm



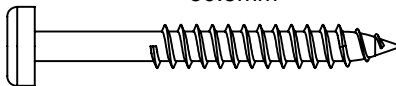
2 x **(S5)** - #8 x 1/2" - 52433502  
12.7mm



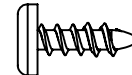
23 x **(S6)** - #12 x 1" - 52433610  
25.4mm



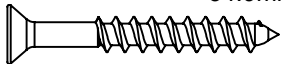
51 x **(S7)** - #12 x 2" - 52433620  
50.8mm



5 x **(S37)** - #7 x 5/8" - 52433009  
15.9mm



280 x **(S20)** - #8 x 1-3/8" - 52043516  
34.9mm



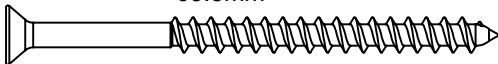
16 x **(S15)** - #8 x 1-3/4" - 52043513  
44.5mm



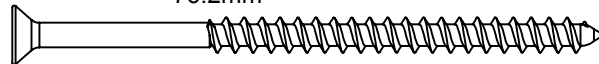
53 x **(S11)** - #8 x 2" - 52043520  
50.8mm



56 x **(S3)** - #8 x 2-1/2" - 52043522  
63.5mm



25 x **(S4)** - #8 x 3" - 52043530  
76.2mm



10 x **(S24)** - #10 x 4" - 52043940  
101.6mm

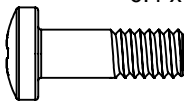


4 x **(S18)** - #6 x 1" - 52013910  
25.4mm

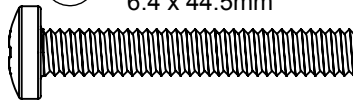


# Hardware Identification (Actual Size)

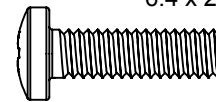
49 x **(PB1)** - 1/4 x 3/4" - 53453203  
6.4 x 19.1mm



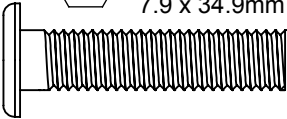
9 x **(PB3)** - 1/4 x 1-3/4" - 53433213  
6.4 x 44.5mm



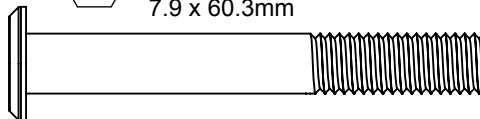
11 x **(PB6)** - 1/4 x 1" - 53413210  
6.4 x 25.4mm



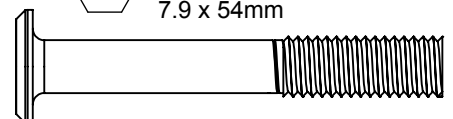
20 x **(WB2)** - 5/16 x 1-3/8" - 53613316  
7.9 x 34.9mm



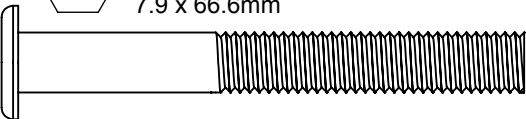
13 x **(WB8)** - 5/16 x 2-3/8" - 53613326  
7.9 x 60.3mm



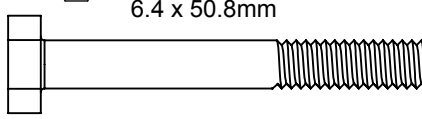
4 x **(WB9)** - 5/16 x 2-1/8" - 53613324  
7.9 x 54mm



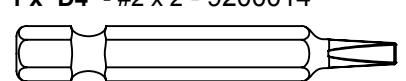
6 x **(WB10)** - 5/16 x 2-5/8" - 53613329  
7.9 x 66.6mm



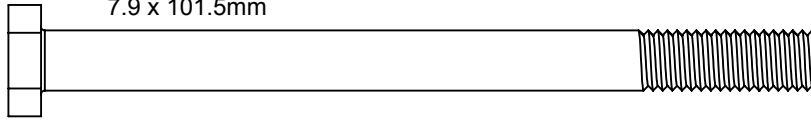
2 x **(H2)** - 1/4 x 2" - 53703220  
6.4 x 50.8mm



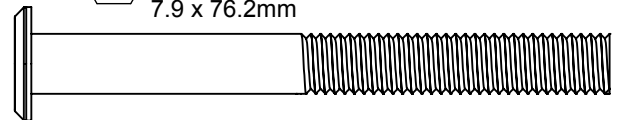
1 x **D4** - #2 x 2 - 9200014



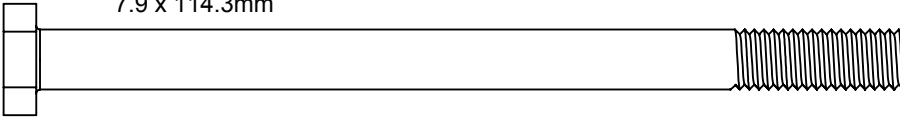
6 x **(G4)** - 5/16 x 4" - 53703340  
7.9 x 101.5mm



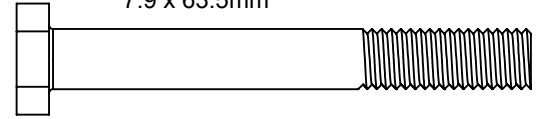
5 x **(WB7)** - 5/16 x 3" - 53613330  
7.9 x 76.2mm



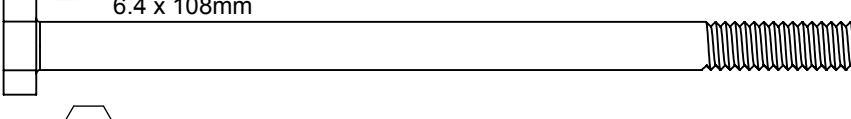
5 x **(G5)** - 5/16 x 4-1/2" - 53703342  
7.9 x 114.3mm



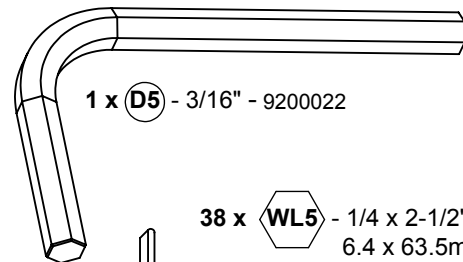
6 x **(G9)** - 5/16 x 2-1/2" - 53703322  
7.9 x 63.5mm



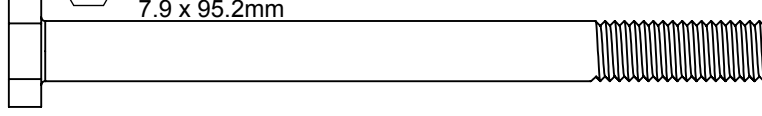
1 x **(H8)** - 1/4 x 4-1/4" - 53703241  
6.4 x 108mm



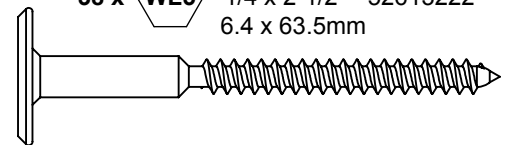
1 x **(D5)** - 3/16" - 9200022



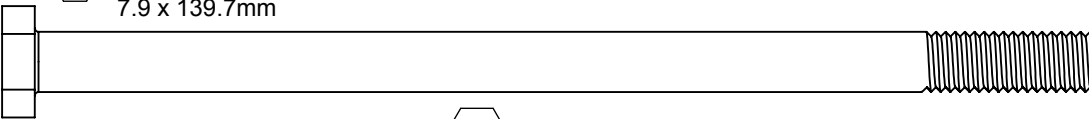
10 x **(G21)** - 5/16 x 3-3/4" - 53703333  
7.9 x 95.2mm



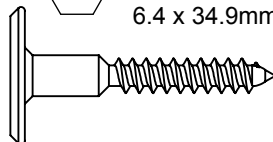
38 x **(WL5)** - 1/4 x 2-1/2" - 52613222  
6.4 x 63.5mm



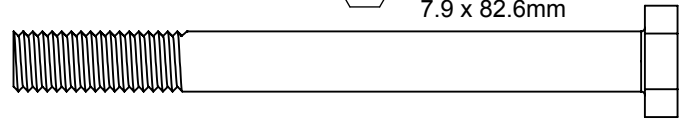
16 x **(G7)** - 5/16 x 5-1/2" - 53703352  
7.9 x 139.7mm



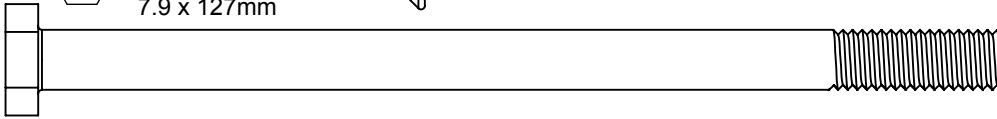
8 x **(WL3)** - 1/4 x 1-3/8" - 52613216  
6.4 x 34.9mm



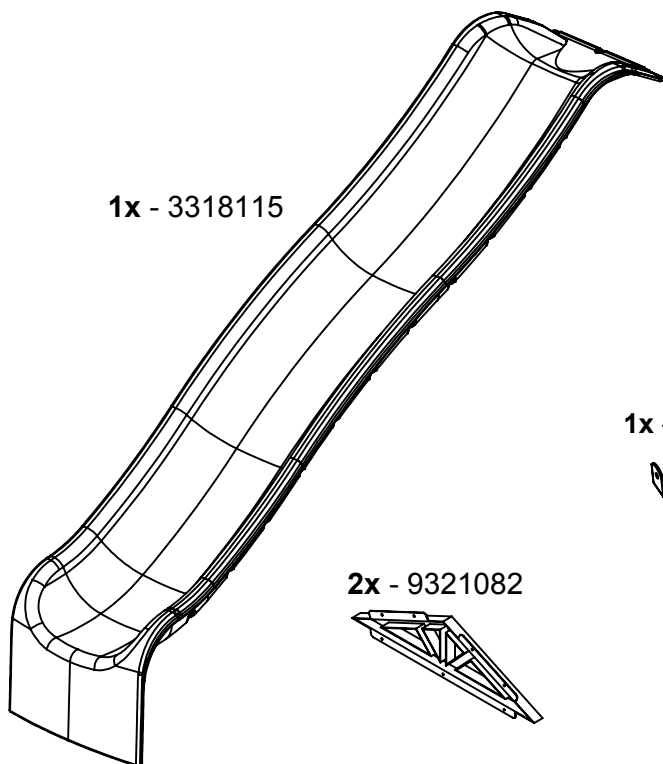
4 x **(G35)** - 5/16 x 3-1/4" - 53703331  
7.9 x 82.6mm



1 x **(G22)** - 5/16 x 5" - 53703350  
7.9 x 127mm



# Part Identification (Reduced Size)



1x - 3320353



1x - 9320374



10x - 9290318



6x - 9330026



1x - 9200158



2x - 9320197LG



1x - 9320297BL



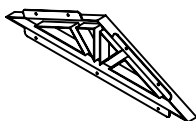
2x - 9320082RD



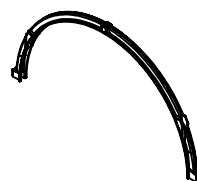
1x - 9320082YL



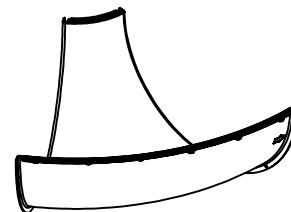
2x - 9321082



10x - 9300130



9x - 3310121



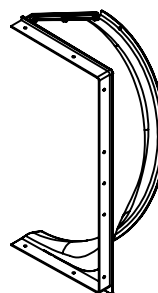
1x - 3330908



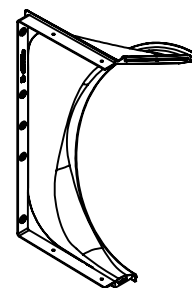
4x - 9320240



1x - 3310122



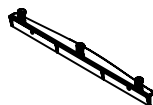
1x - 3310123



1x - 3330909



1x - 9320791



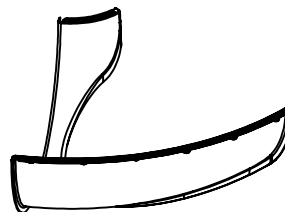
1x - 9320889GG



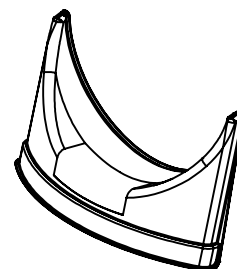
1x - 9320889RD



1x - 3310124



1x - 3310132



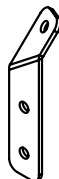
2x - (9200157)



31x - (54902200)



1x - (9200156)



30x - (53453202)



1x - (53452209)

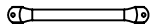


# Part Identification (Reduced Part Size)

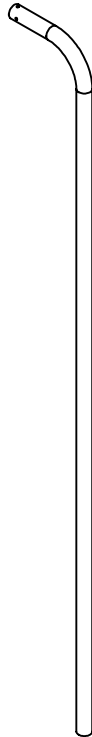
6x - 9210010



1x - 9200131



1x - 9200283



1x - 9200285



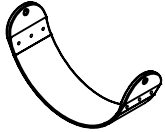
2x - 9200144



2x - 9200143



2x - 9320130



2x - 9200133



1x - 9200286



2x - 9200149



6x - 9200025



6x - 9200020



1x - 3200087  
(2pk)



1x - 9200151



4x - 9201530



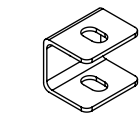
2x - 9200174 - 20"

4x - 9200172 - 48"

2x - 9200632



2x - 9200647



4x - (9200167)

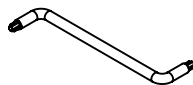
4x - 9200633



2x - 9200675



## Included in hardware kit



1x - D1 (9200015)

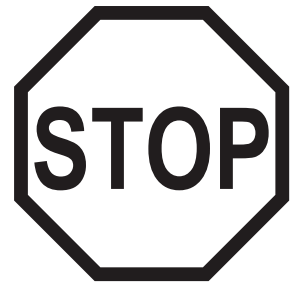
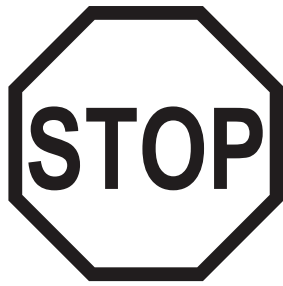


1x - 1/8" x 3"  
(3.2 x 76.2mm)  
(9300183)

1x - 3/8"  
(9.52mm)  
(9300184)



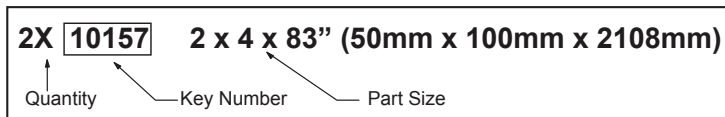
# 1 Inventory Parts - Read This Before Starting Assembly



Inventory should be completed before starting installation. KidKraft will not cover costs of any additional installation trip due to missing or damaged pieces.

A. This is the time for you to inventory all your hardware, wood and accessories, referencing the parts identification sheets. This will assist you with your assembly.

- The wood pieces will have the key number stamped on the ends of the boards. Organize the wood pieces by step, as per the key numbering system below.



B. Read the assembly manual completely, paying special attention to ANSI warnings; notes; and safety/maintenance information on pages 1 - 9.

**If there are missing or damaged pieces,  
please contact the KidKraft Consumer Engagement team  
before going back to the retailer.**

## Order Replacement Parts 24/7

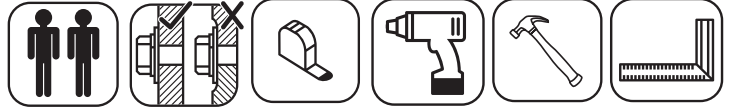
You can order replacement parts for this product 24 hours a day / 7 days a week:

**Outdoor Swingsets and Playhouse Parts Ordering**

**<https://parts.kidkraft.com/>**

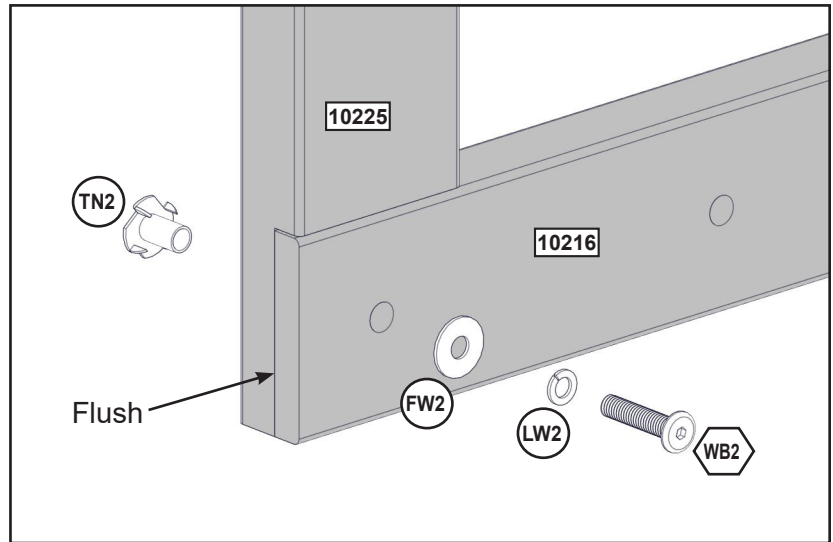
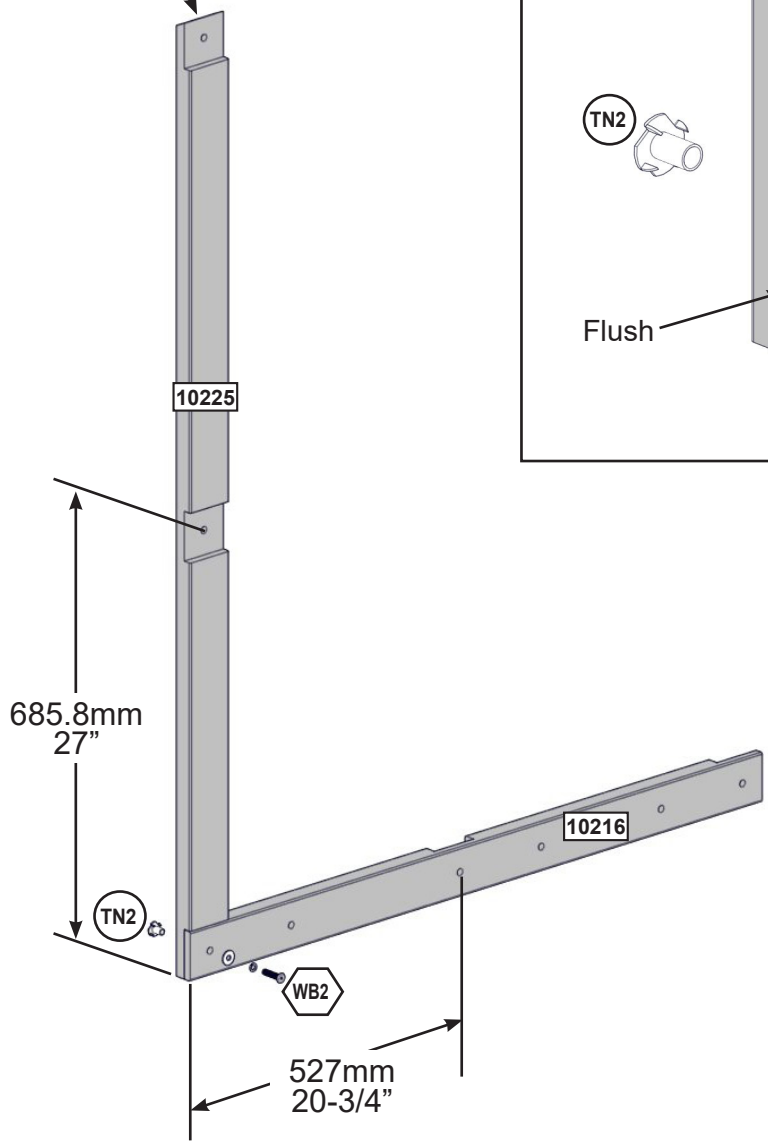
If you have assembly or product questions, please refer to the front cover for direct contact information for our Consumer Engagement team.

2



**Assemble T-Nuts first with hammer!**  
**Note hole orientation.**

Note angle orientation



**Wood Parts**

- 1 x 31.8 x 76.2 x 1479.6mm ( 1 1/4" x 3" x 58 1/4")
- 1 x 31.8 x 76.2 x 1117.6mm (1 1/4" x 3" x 44")

**Hardware**

- 1 x 7.9mm x 34.9 mm (5/16 x 1-3/8")(FW2, LW2, TN2)

europecustomerservice@kidkraft.com  
 +31 20 305 8620  
 M-F from 09:00 to 17:30 (GMT+1)

parts.kidkraft.eu

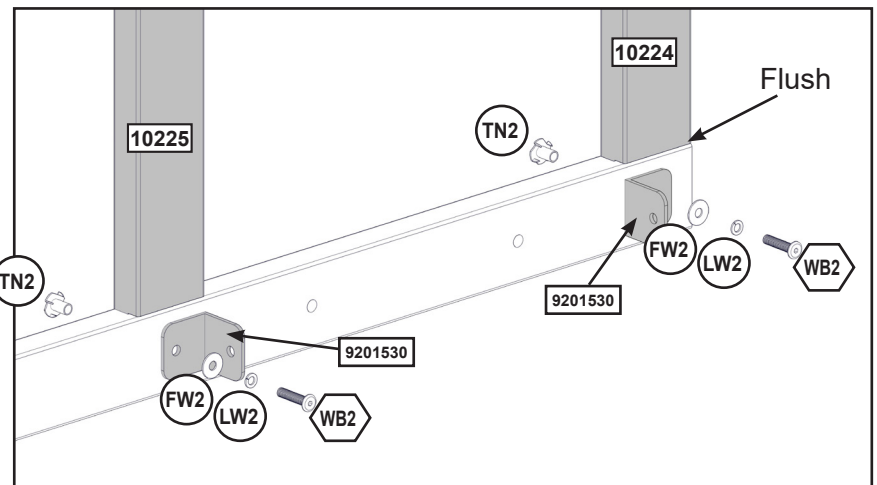
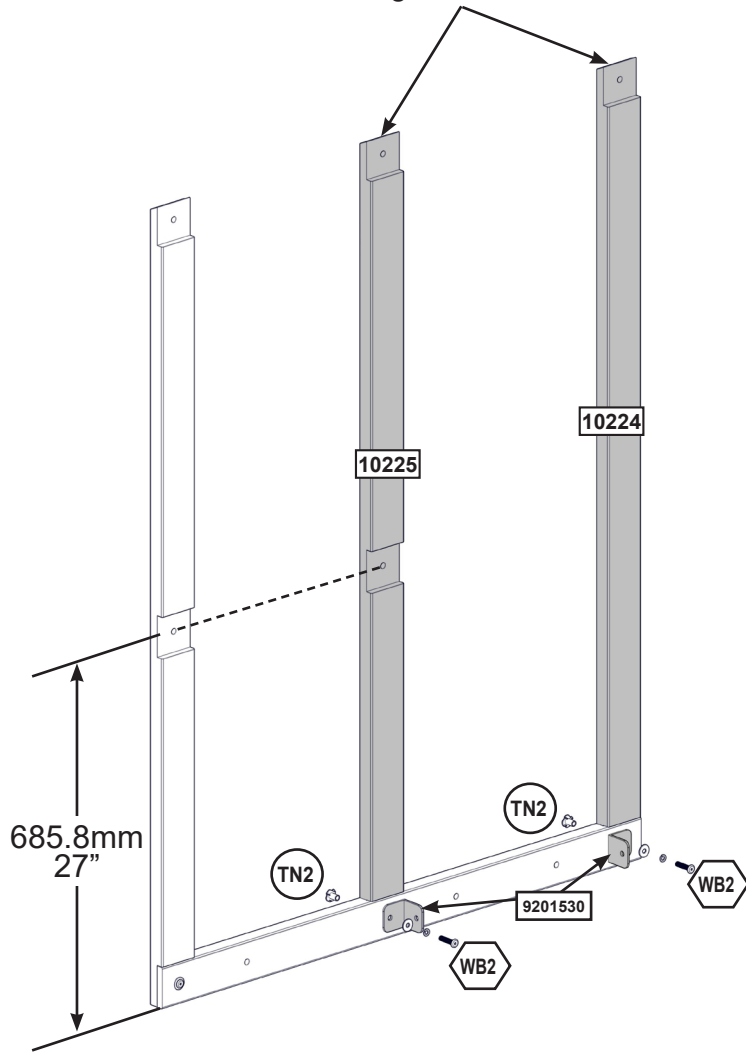


3



Note angle orientation

Assemble T-Nuts first with hammer!  
Note hole orientation.



**Wood Parts**

- 1 x 10224 31.8 x 76.2 x 1479.6mm (1 1/4" x 3" x 58 1/4")
- 1 x 10225 31.8 x 76.2 x 1479.6mm (1 1/4" x 3" x 58 1/4")

**Hardware**

- 2 x WB2 7.9mm x 34.9 mm (5/16 x 1-3/8") (FW2, LW2, TN2)

**Other Parts**

- 2 x 9201530

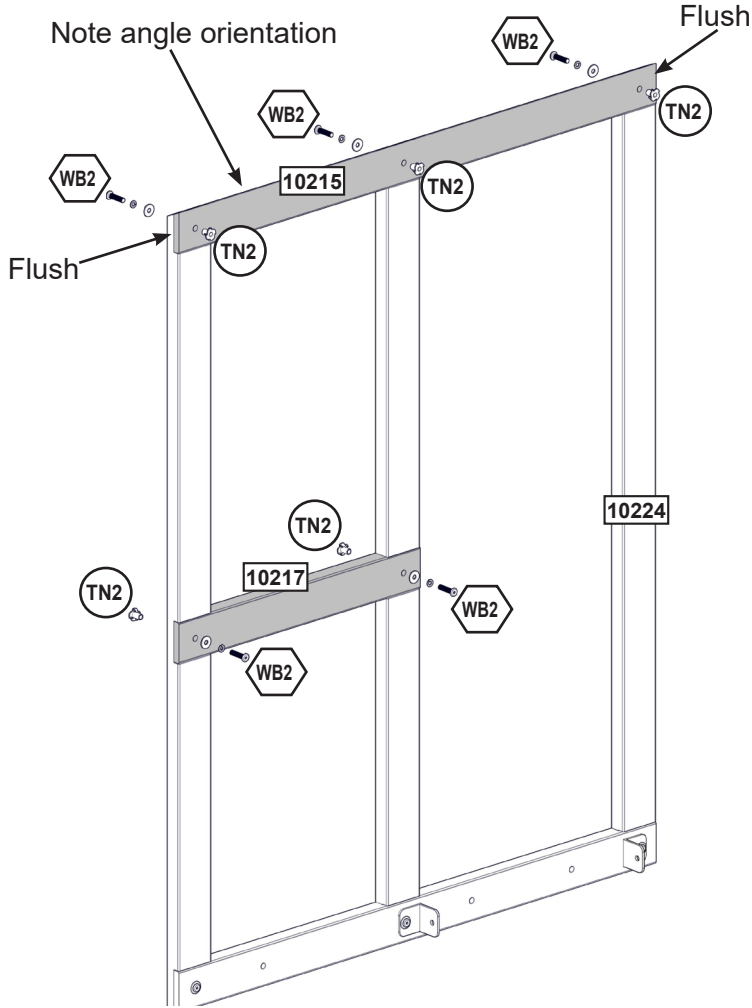


parts.kidkraft.com

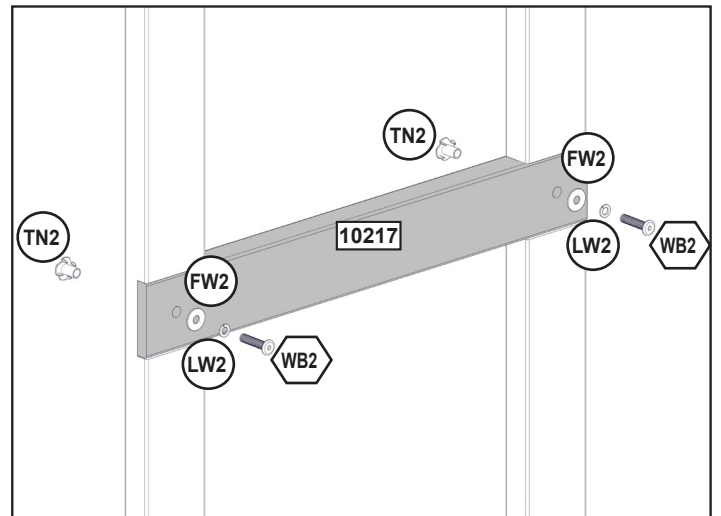
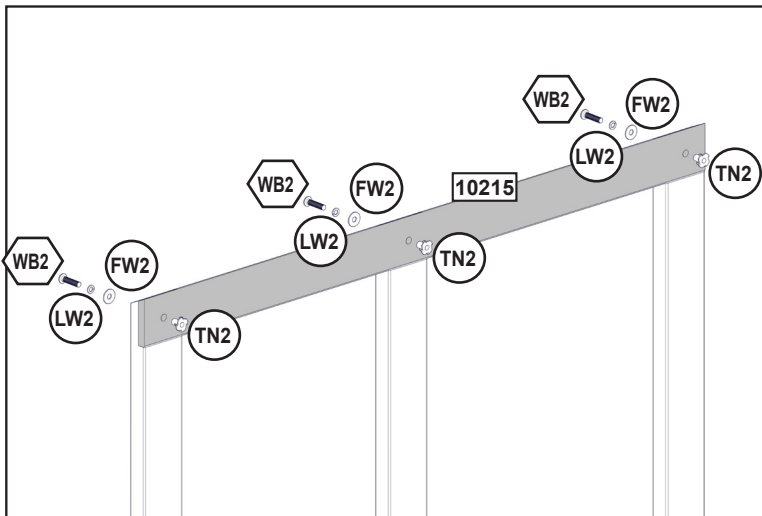
customerservice@kidkraft.com  
1.800.933.0771  
972.385.0100



4



**Assemble T-Nuts first with hammer!**



**Wood Parts**

- 1 x 31.8 x 76.2 x 1117.6mm (1 1/4" x 3" x 44")
- 1 x 31.8 x 76.2 x 565.1mm (1 1/4" x 3" x 22 1/4")

**Hardware**

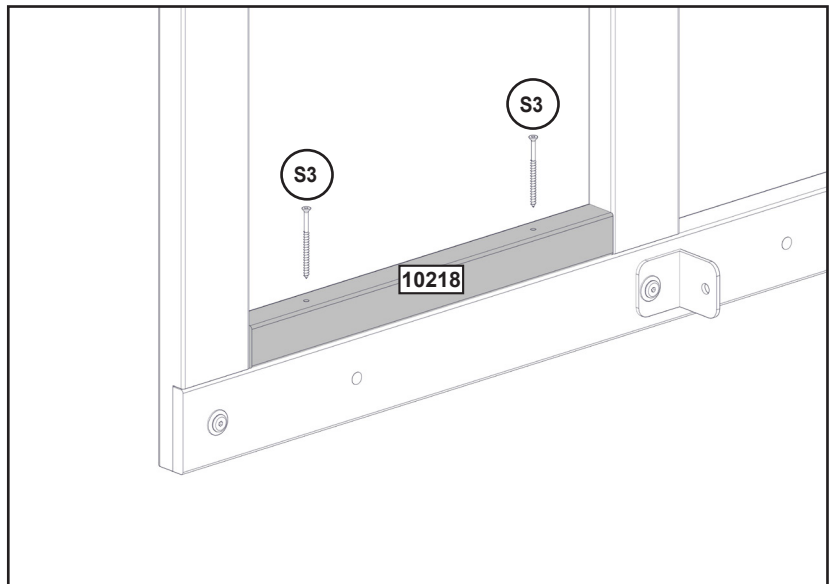
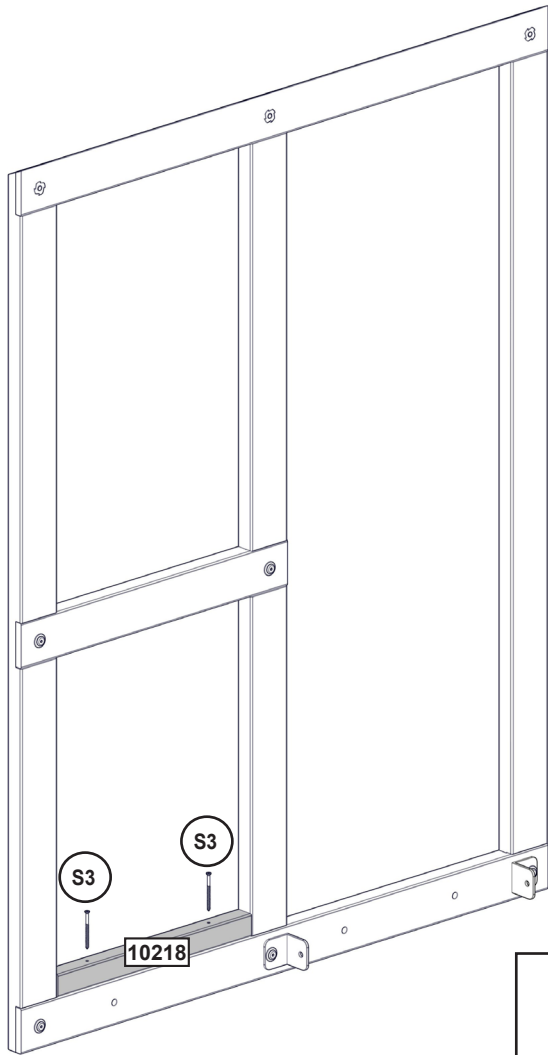
- 5 x 7.9mm x 34.9 mm (5/16 x 1-3/8")(FW2, LW2, TN2)

europecustomerservice@kidkraft.com  
 +31 20 305 8620  
 M-F from 09:00 to 17:30 (GMT+1)

parts.kidkraft.eu



5



**Wood Parts**

1 x **10218** 31.8 x 38.1 x 410.2mm (1 1/4" x 1 1/2" x 16 1/8")

**Hardware**

2 x **S3** #8 x 63.5mm (#8 x 2-1/2")



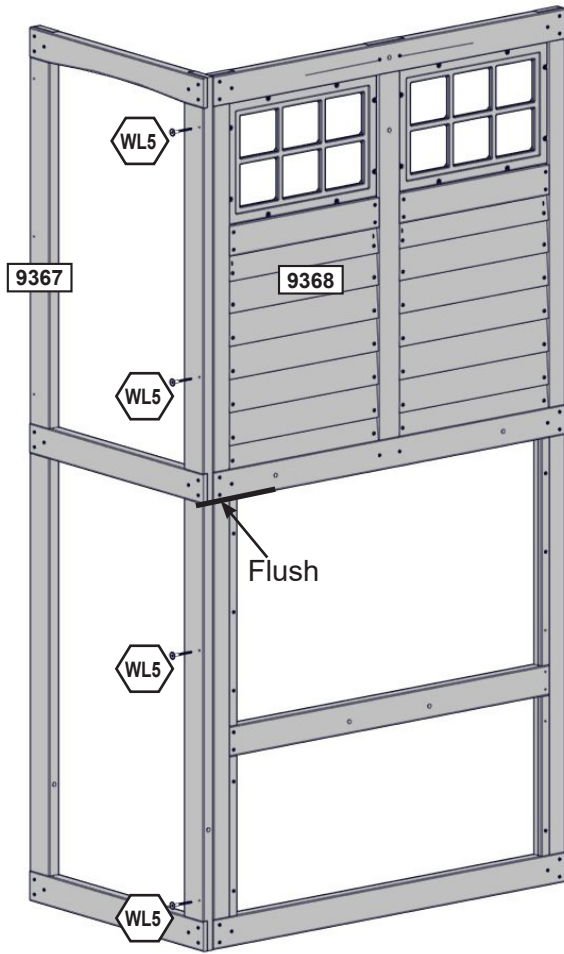
[parts.kidkraft.com](http://parts.kidkraft.com)

[customerservice@kidkraft.com](mailto:customerservice@kidkraft.com)  
1.800.933.0771  
972.385.0100

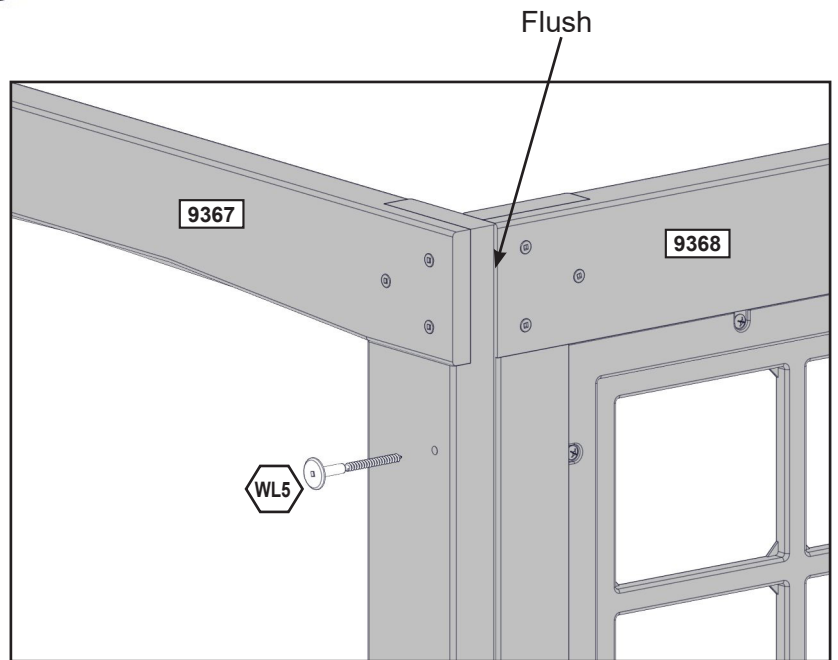
6



Pre-drill holes using a 1/8" drill bit.



Right Side



**Wood Parts**

- 1 x **9367** 31.8 x 680.6 x 2218.2mm (1 1/4" x 26 13/16" x 87 5/16")
- 1 x **9368** 31.8 x 1117.6 x 2218.2mm (1 1/4" x 44" x 87 5/16")

**Hardware**

- 4 x **WL5** 6.4mm x 63.5 mm (1/4 x 2-1/2")

europecustomerservice@kidkraft.com  
 +31 20 305 8620  
 M-F from 09:00 to 17:30 (GMT+1)

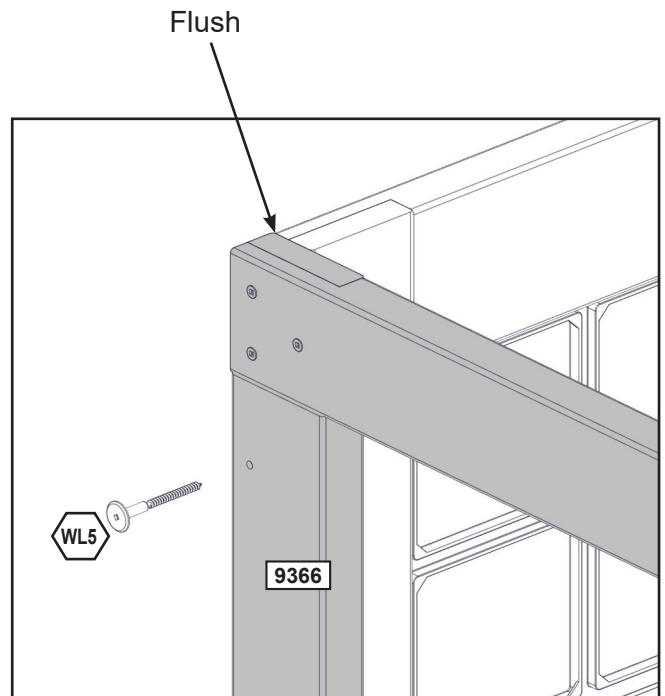
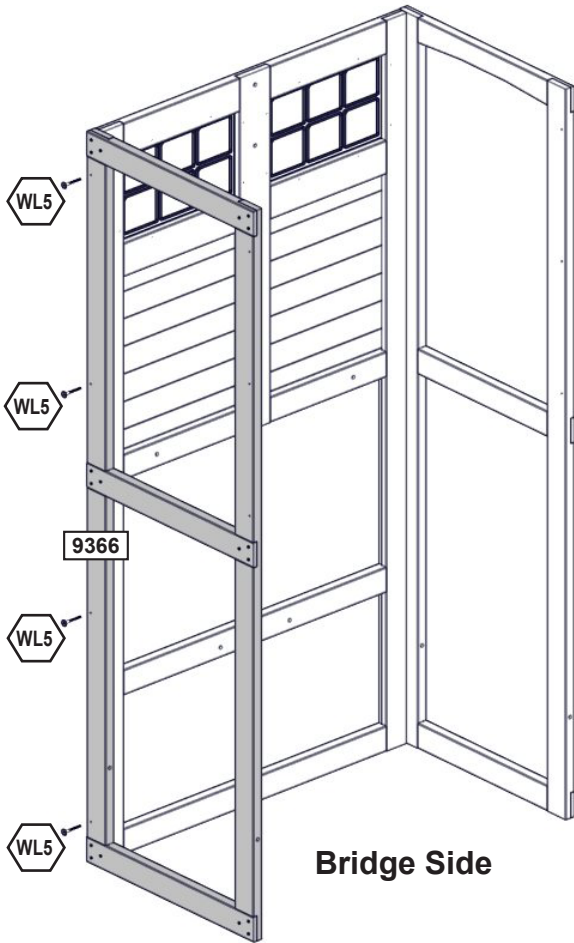
parts.kidkraft.eu



7



Pre-drill holes using a 1/8" drill bit.



**Wood Parts**

1 x **9366** 31.8 x 680.6 x 2218.2mm (1 1/4" x 26 13/16" x 87 5/16")

**Hardware**

4 x **WL5** 6.4mm x 63.5 mm (1/4 x 2-1/2")



parts.kidkraft.com

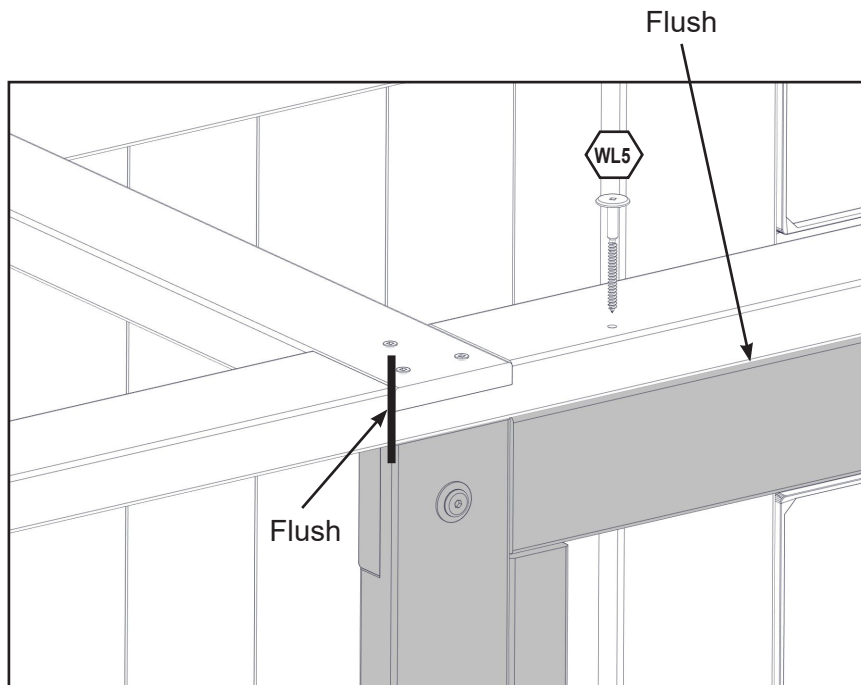
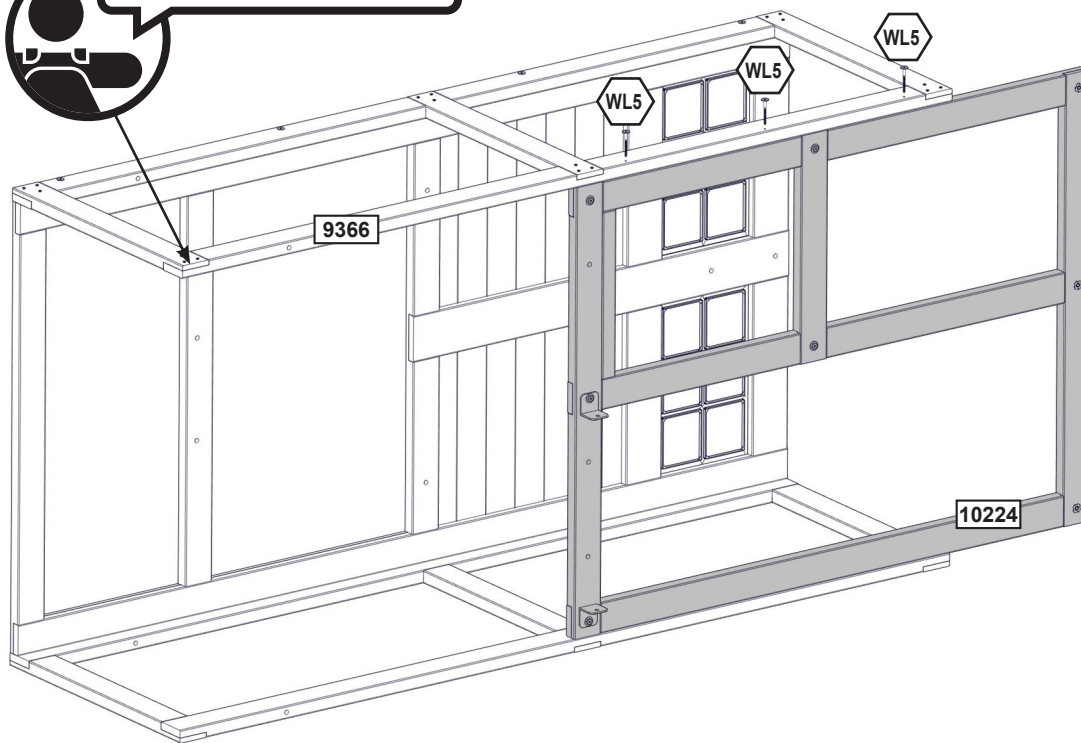
customerservice@kidkraft.com  
1.800.933.0771  
972.385.0100

8




Ensure this corner is supported while installing the hardware into 10224

Pre-drill holes using a 1/8" drill bit.



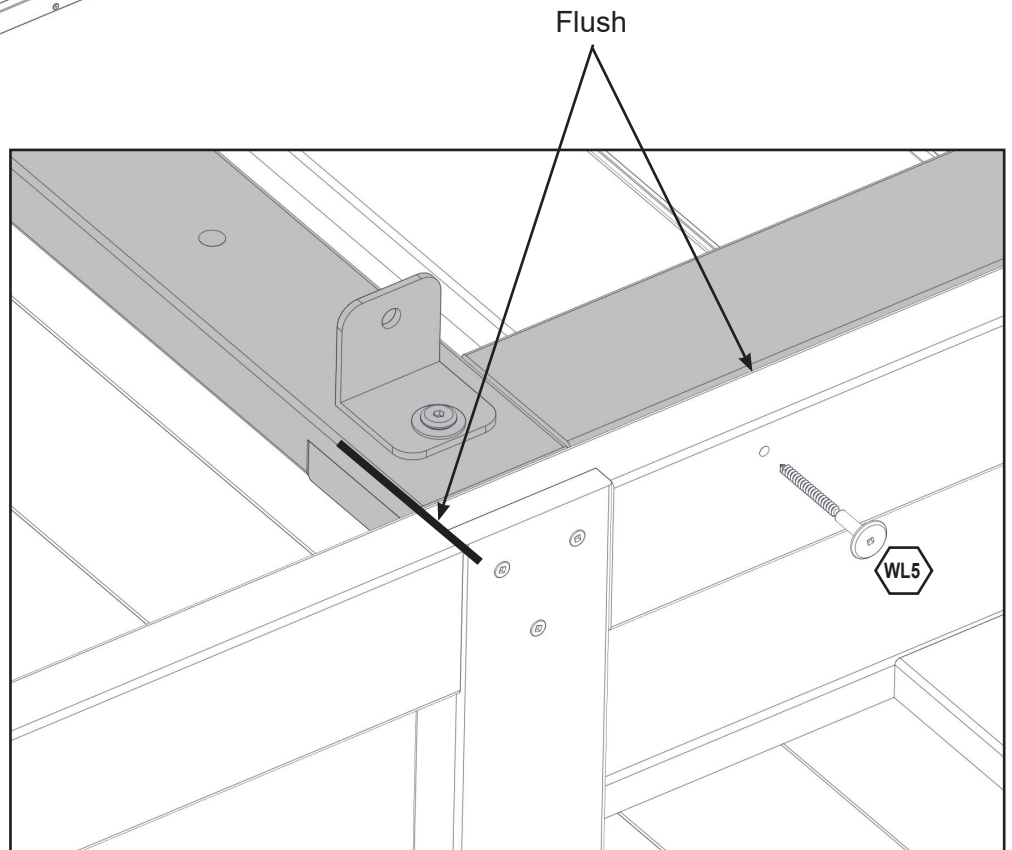
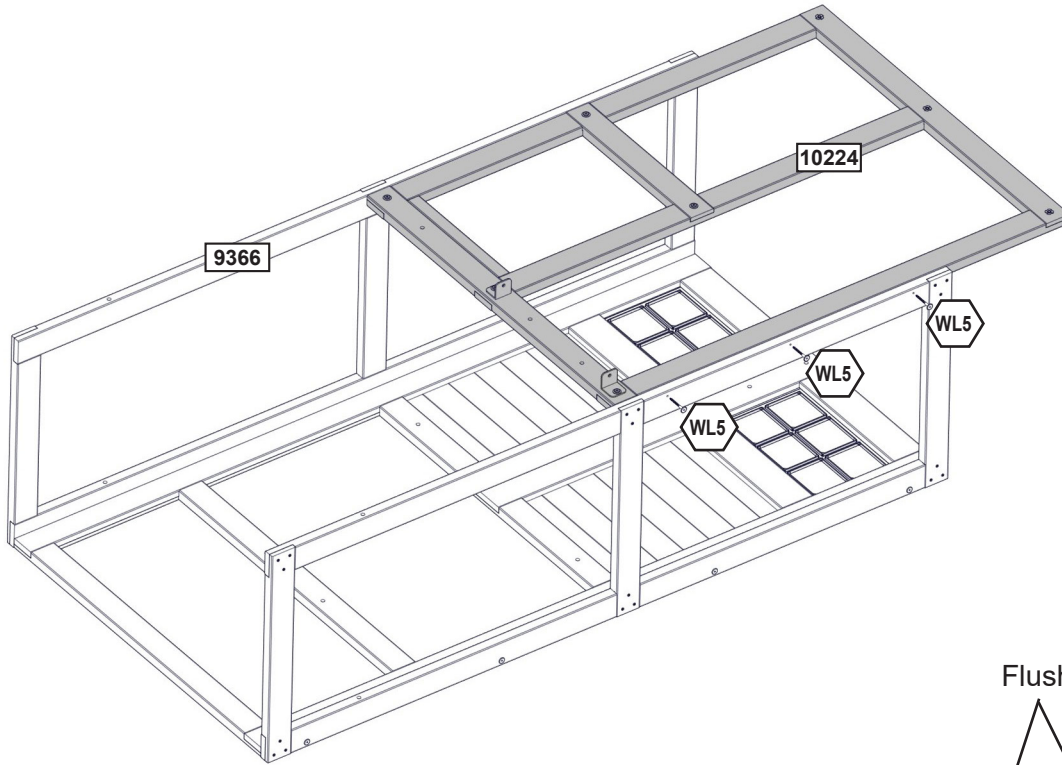
**Hardware**

3 x  6.4mm x 63.5 mm (1/4 x 2-1/2")




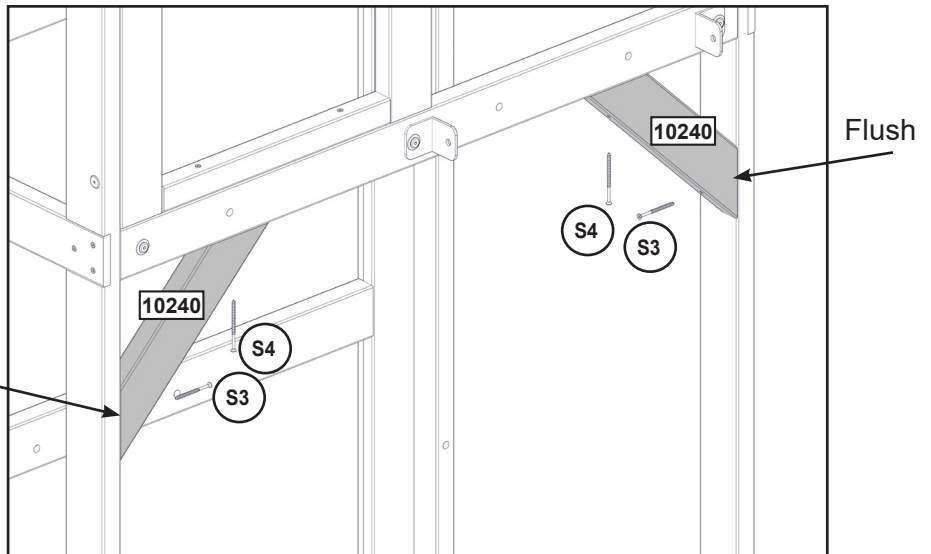
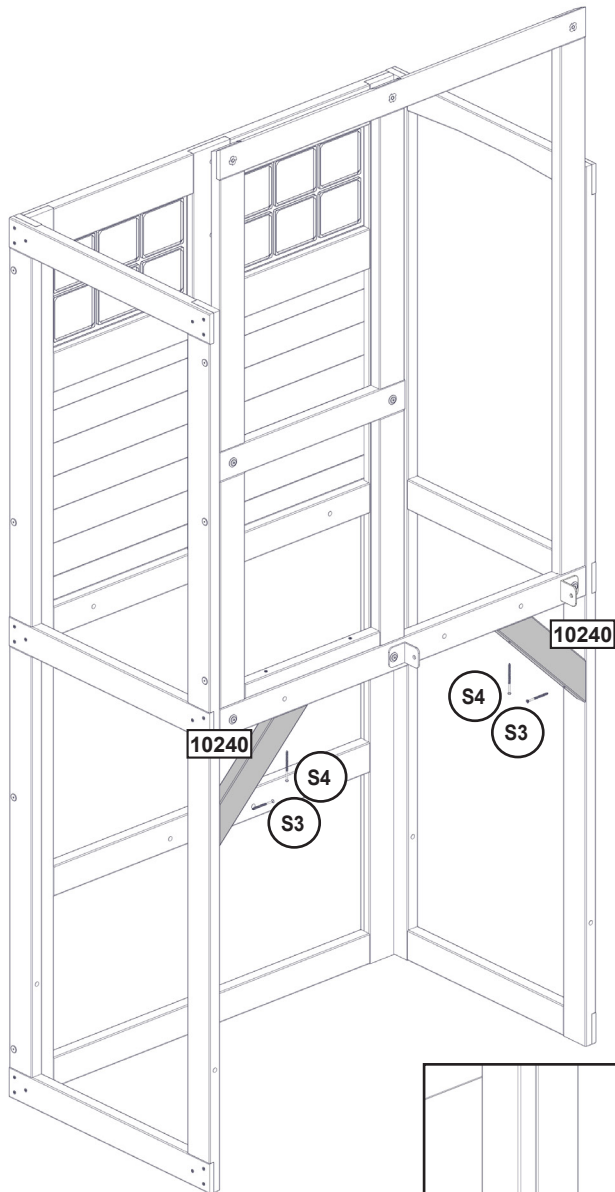
9

Pre-drill holes using  
a 1/8" drill bit.



**Hardware**

3 x  6.4mm x 63.5 mm (1/4 x 2-1/2")



**Wood Parts**

2 x 10240 31.8 x 76.2 x 381 mm (1 1/4" x 3" x 15")

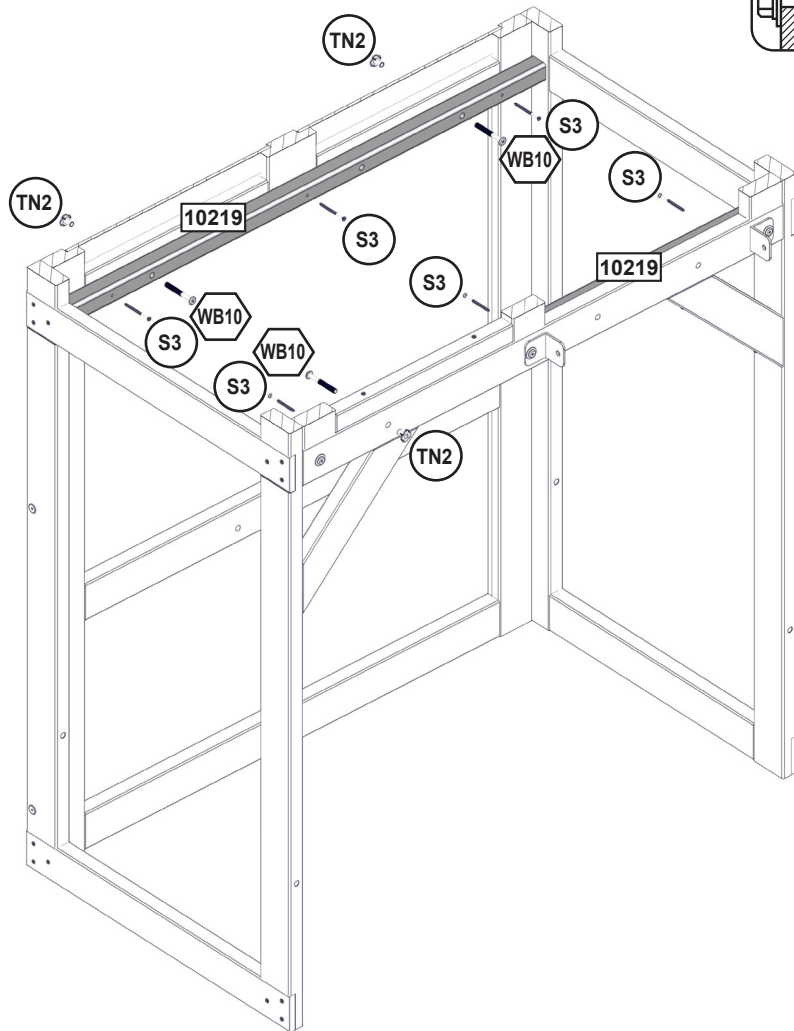
**Hardware**

2 x S4 #8 x 76.2mm (#8 x 3")

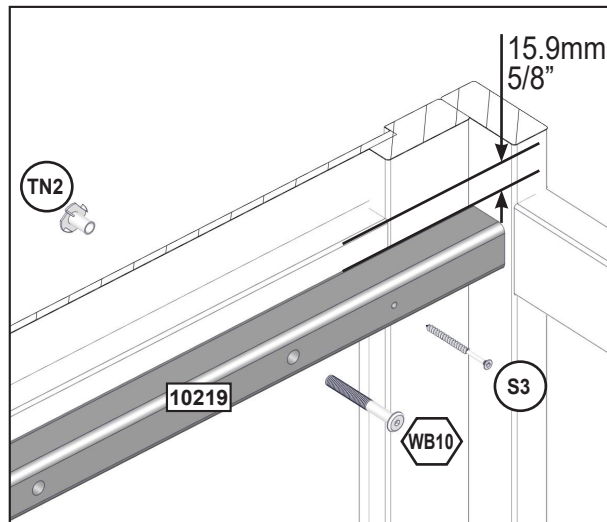
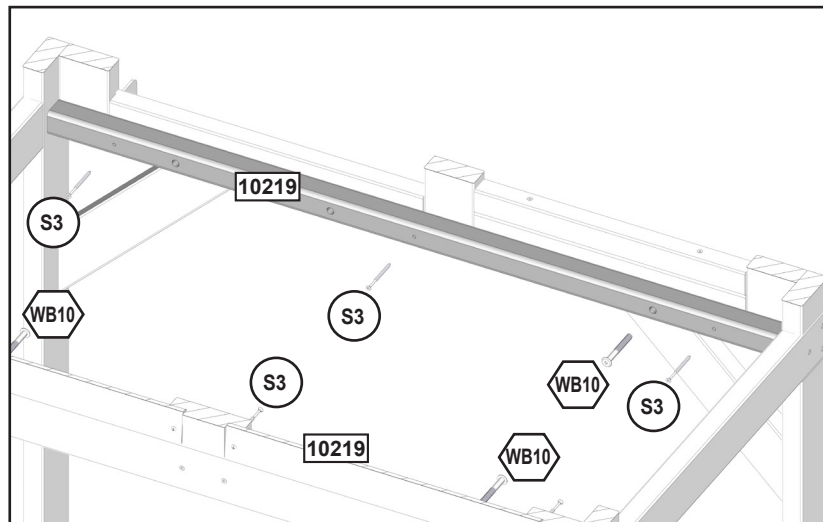
2 x S3 #8 x 63.5mm (#8 x 2-1/2")



11



Assemble T-Nuts first with hammer!  
 Note: Structure partly removed for clarity.



**Wood Parts**

2 x 10219 38.1 x 38.1 x 1111.6 mm (1 1/2" x 1 1/2" x 43 3/4")

**Hardware**

6 x S3 #8 x 64mm (#8 x 2-1/2")

3 x WB10 7.9mm x 66.6 mm (5/16 x 2-5/8")(TN2)

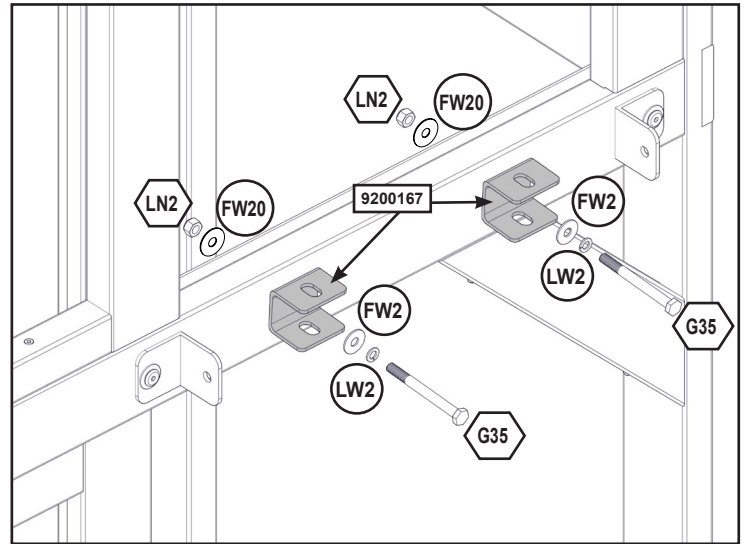
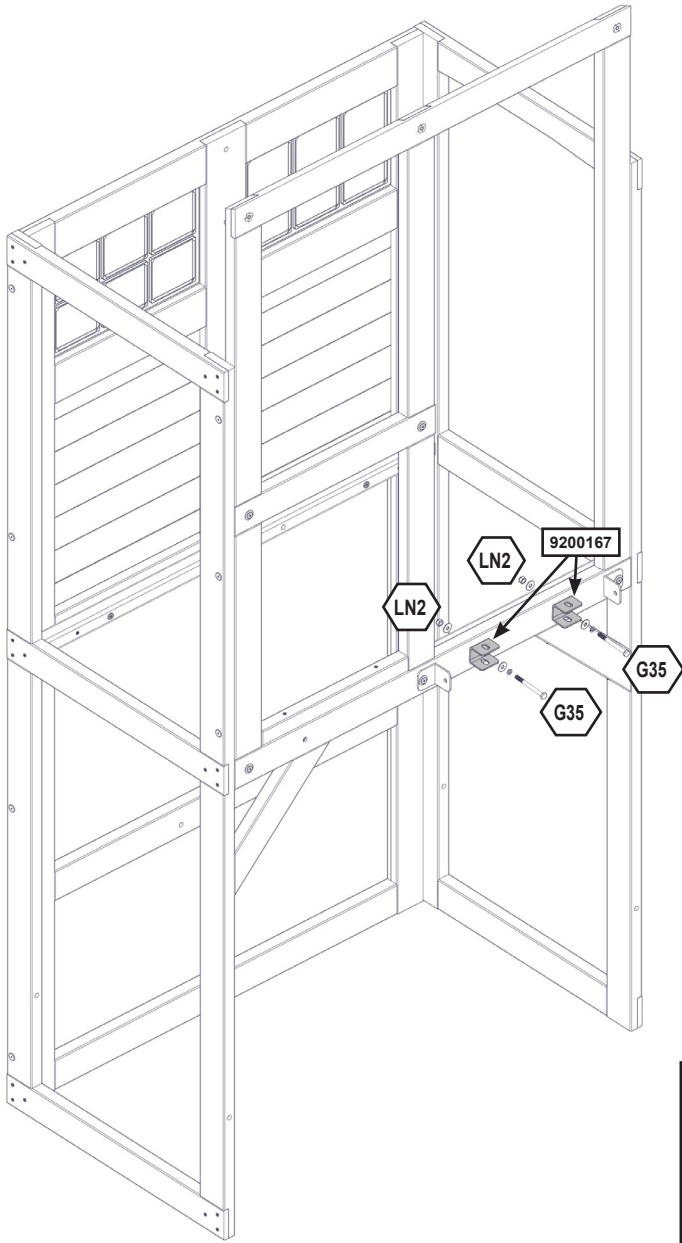


parts.kidkraft.com

customerservice@kidkraft.com  
 1.800.933.0771  
 972.385.0100




12



**Hardware**

2 x  7.9mm x 82.6 mm (5/16 x 3-1/4") ( FW2,FW20,LW2, LN2)

**Other Parts**

2 x 

europcustomerservice@kidkraft.com  
 +31 20 305 8620  
 M-F from 09:00 to 17:30 (GMT+1)

parts.kidkraft.eu



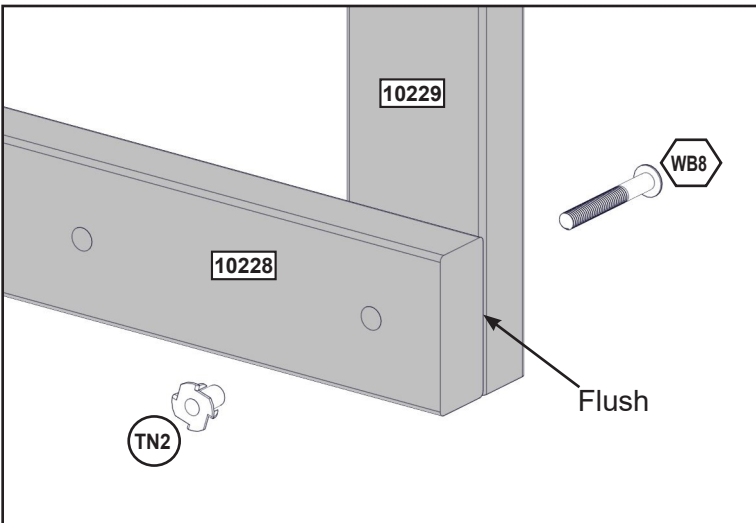
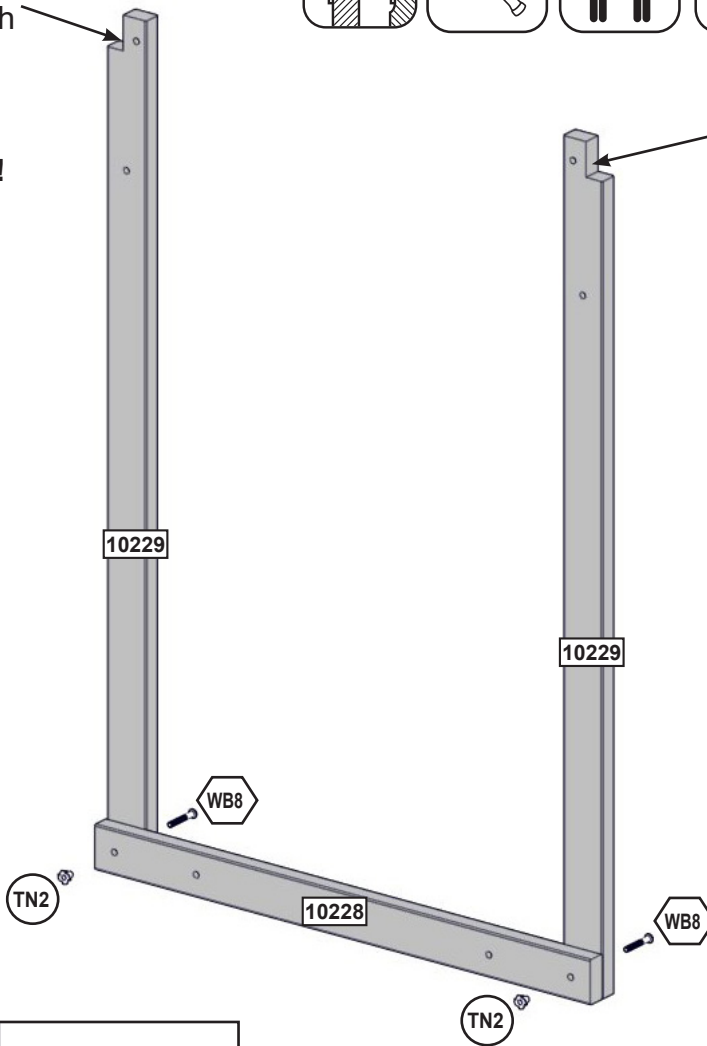
13



Assemble T-Nuts first with hammer!

Note the notch

Note the notch



**Wood Parts**

- 1 x 10228 31.8 x 76.2 x 965.1 mm (1 1/4" x 3" x 38")
- 2 x 10229 31.8 x 76.2 x 1435.1 mm (1 1/4" x 3" x 56 1/2")

**Hardware**

- 2 x WB8 7.9mm x 60.3 mm (5/16 x 2-3/8")(TN2)



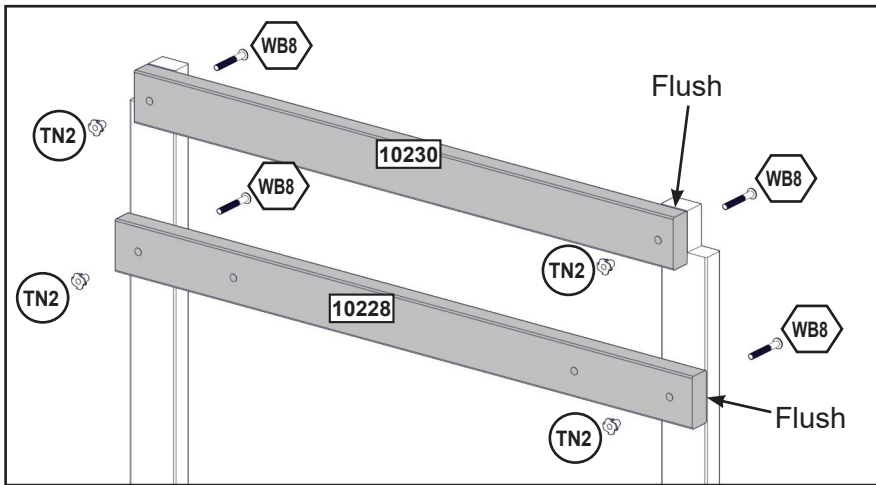
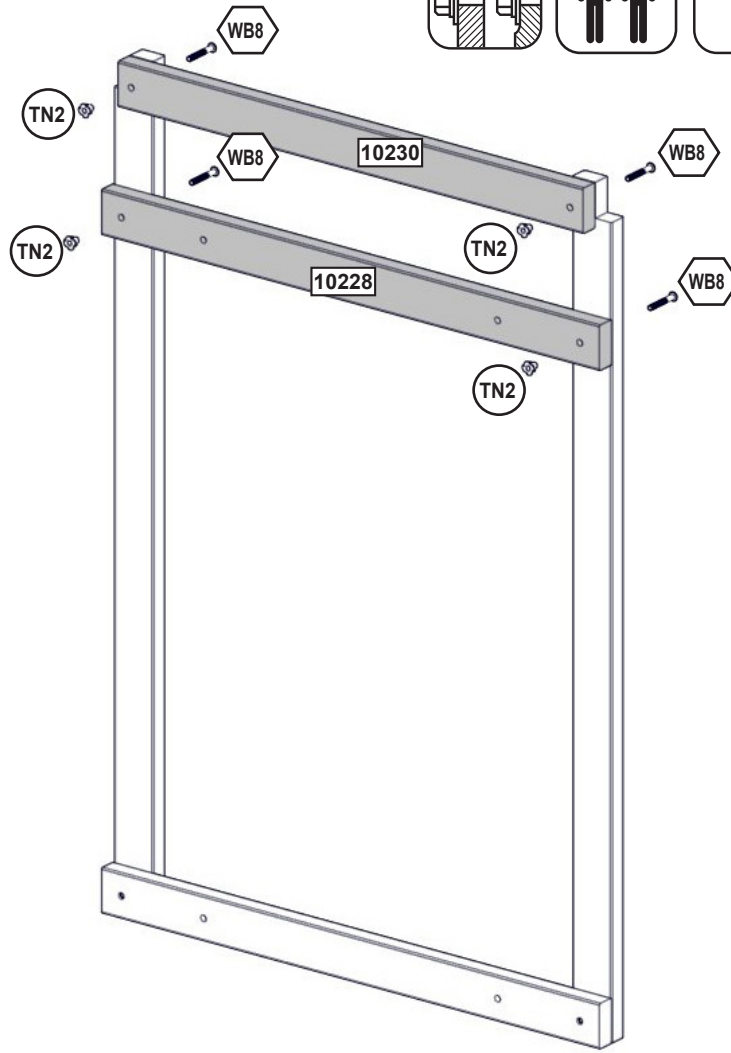
parts.kidkraft.com

customerservice@kidkraft.com  
1.800.933.0771  
972.385.0100

14



**Assemble T-Nuts first with hammer!**



**Wood Parts**

- 1 x 10228 31.8 x 76.2 x 965.1 mm (1 1/4" x 3" x 38")
- 1 x 10230 31.8 x 76.2 x 901.5 mm (1 1/4" x 3" x 35 1/2")

**Hardware**

- 4 x WB8 7.9mm x 60.3 mm (5/16 x 2-3/8")(TN2)

europecustomerservice@kidkraft.com  
 +31 20 305 8620  
 M-F from 09:00 to 17:30 (GMT+1)

parts.kidkraft.eu

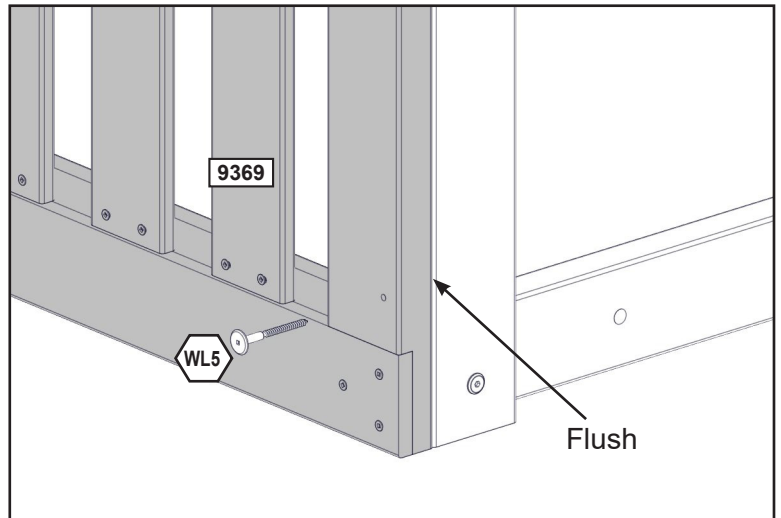
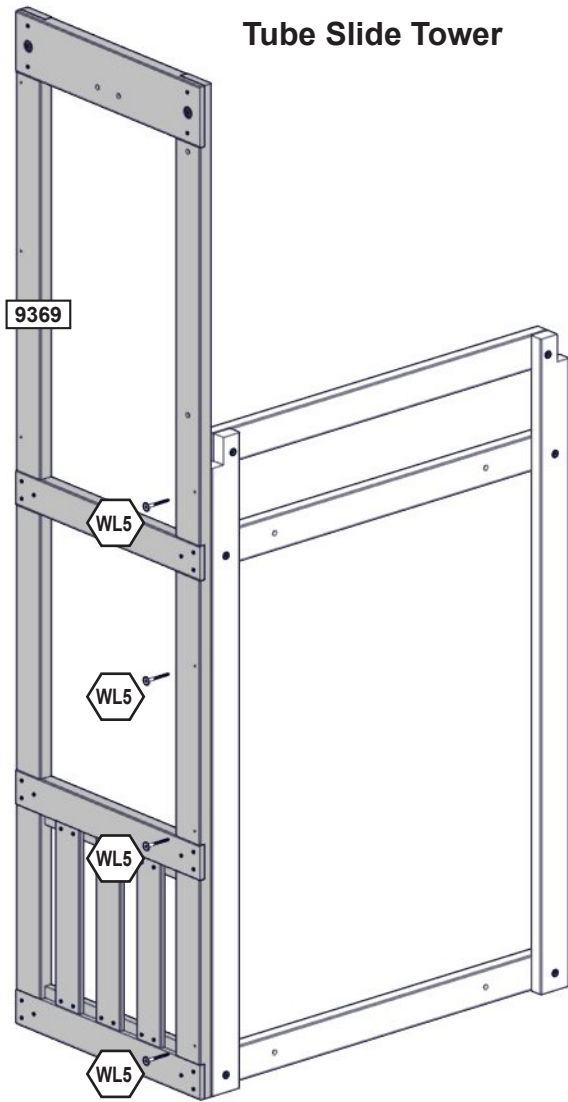


15

### Tube Slide Tower



Pre-drill holes using a 1/8" drill bit.



#### Wood Parts

1 x **9369** 31.8 x 575.6 x 2218.2mm (1 1/4" x 22 11/16" x 87 5/16")

#### Hardware

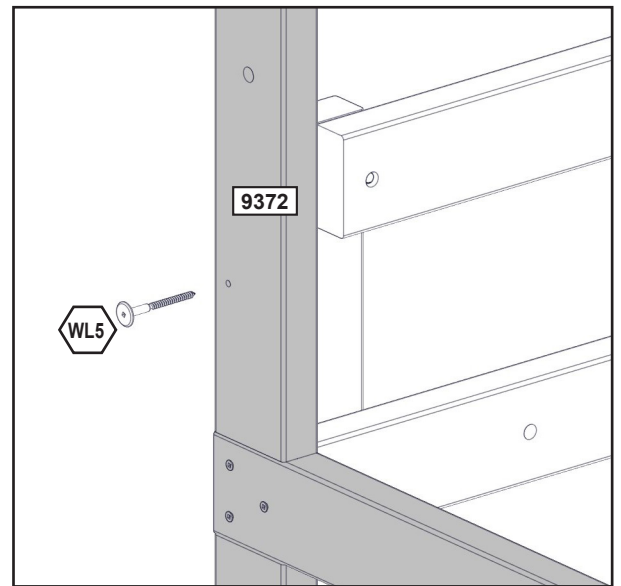
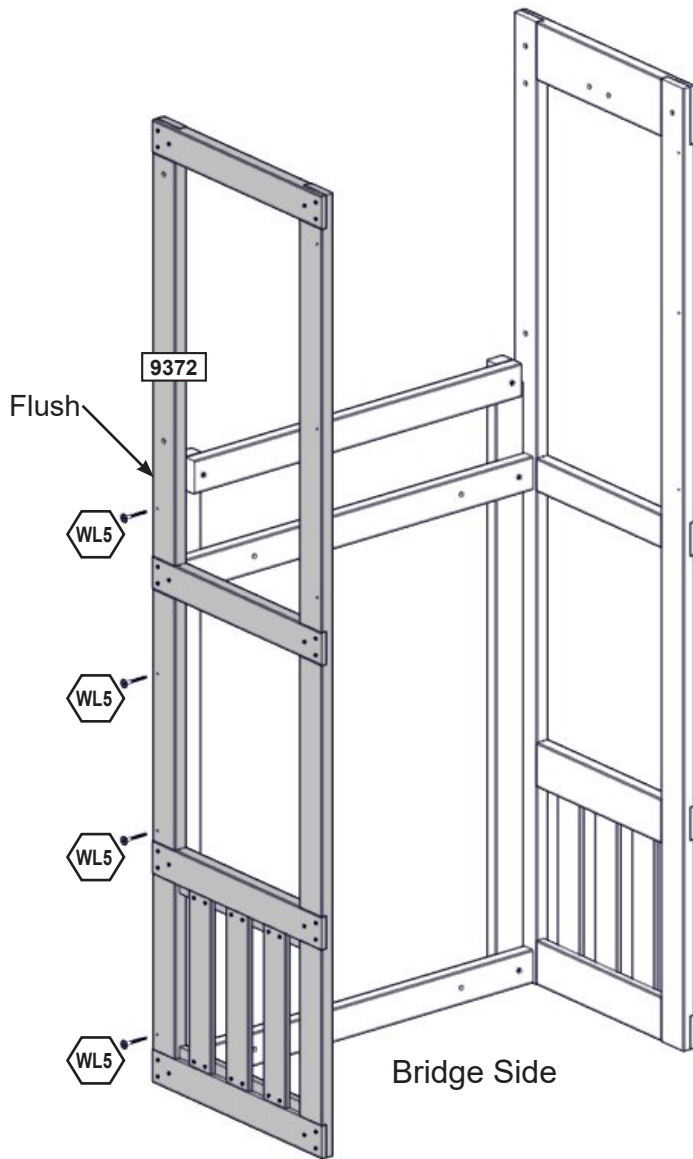
4 x **WL5** 6.4mm x 63.5 mm (1/4 x 2-1/2")

16

### Tube Slide Tower



Pre-drill holes using a 1/8" drill bit.



#### Wood Parts

1 x **9372** 31.8 x 575.6 x 2218.2mm (1 1/4" x 22 11/16" x 87 5/16")

#### Hardware

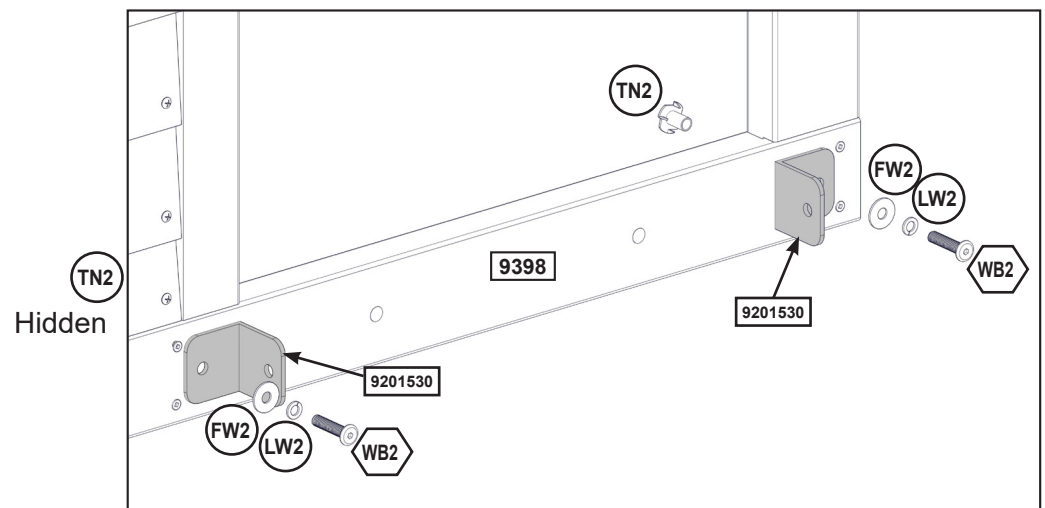
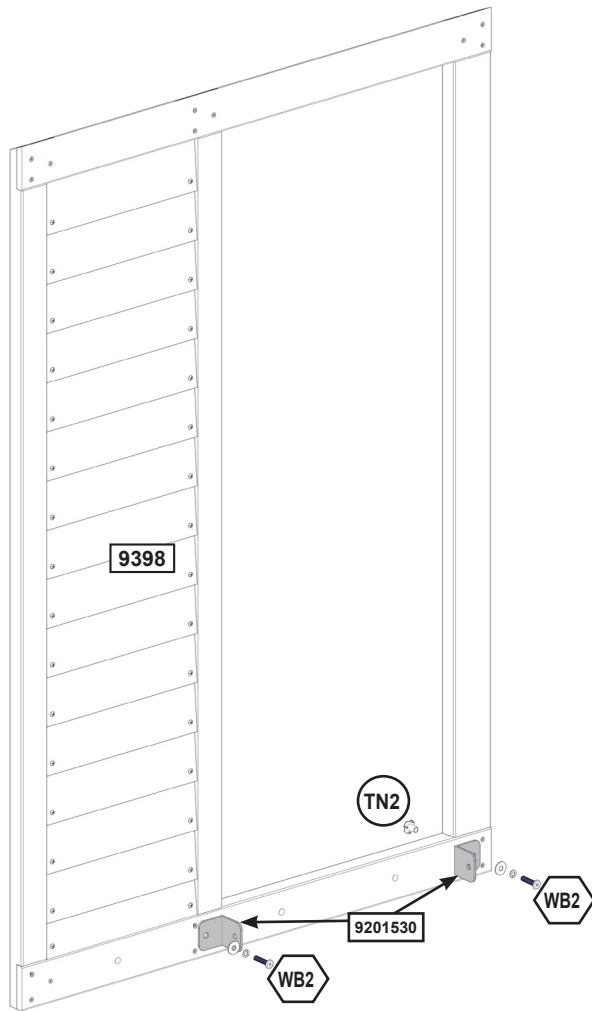
4 x **WL5** 6.4mm x 63.5 mm (1/4 x 2-1/2")



17



Assemble T-Nuts first with hammer!



**Wood Parts**

1 x 9398 31.8 x 1485.5 x 965.1mm (1 1/4" x 58 1/2" x 38")

**Hardware**

2 x WB2 7.9mm x 34.9 mm (5/16 x 1-3/8") (FW2, LW2, TN2)

**Other Parts**

2 x 9201530

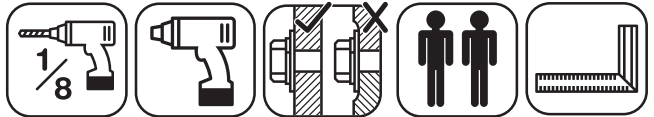


parts.kidkraft.com

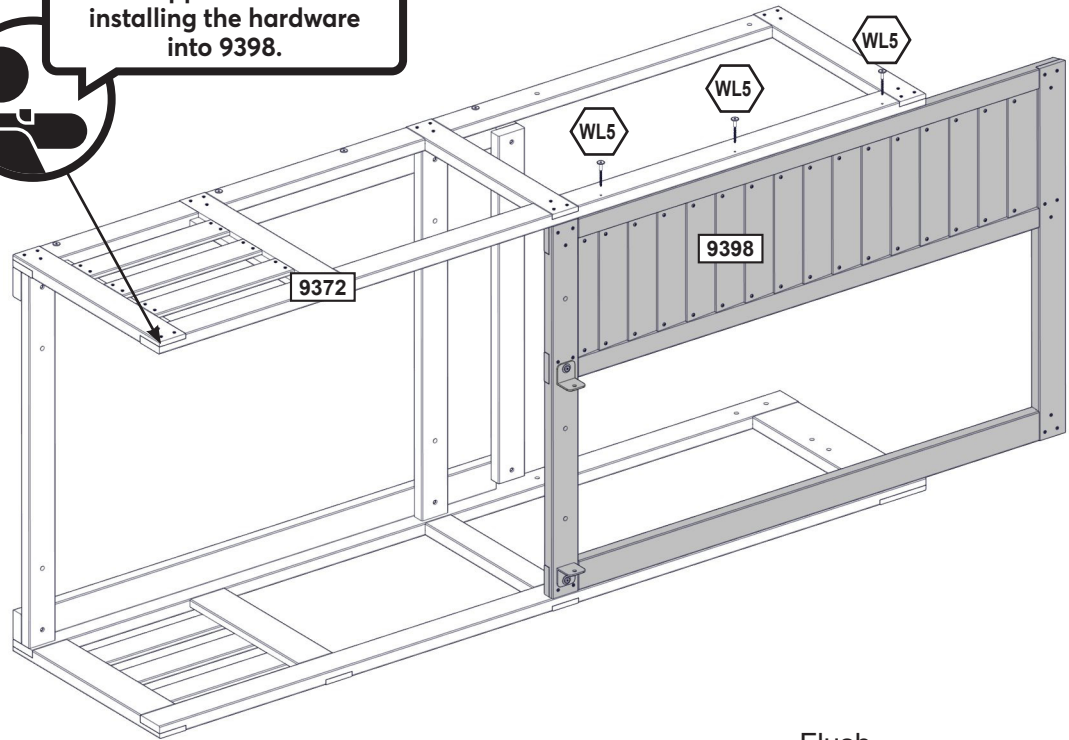
customerservice@kidkraft.com  
1.800.933.0771  
972.385.0100

18

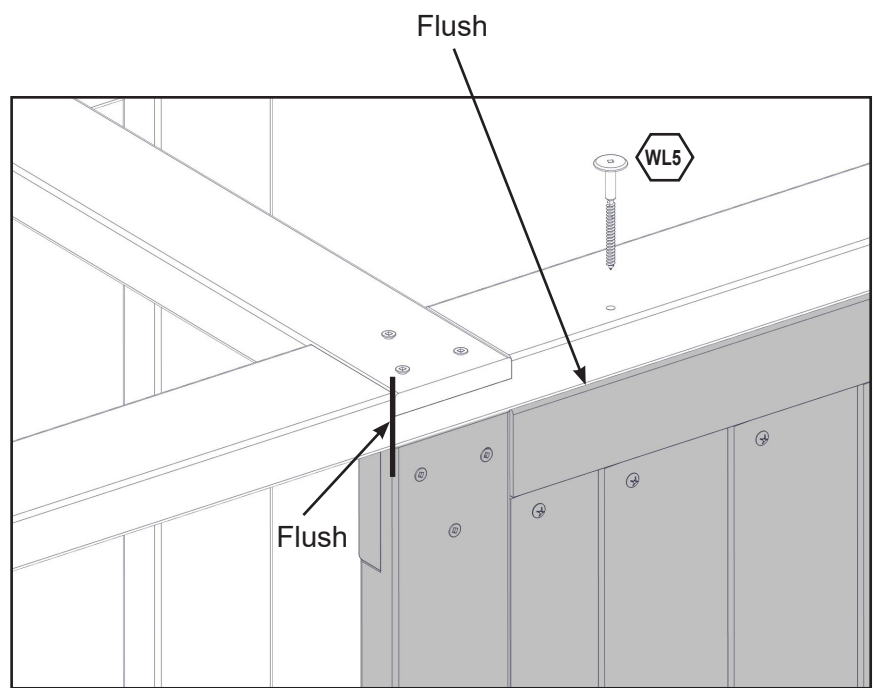
Pre-drill holes using a 1/8" drill bit.




Ensure this corner is supported while installing the hardware into 9398.



Bridge Side



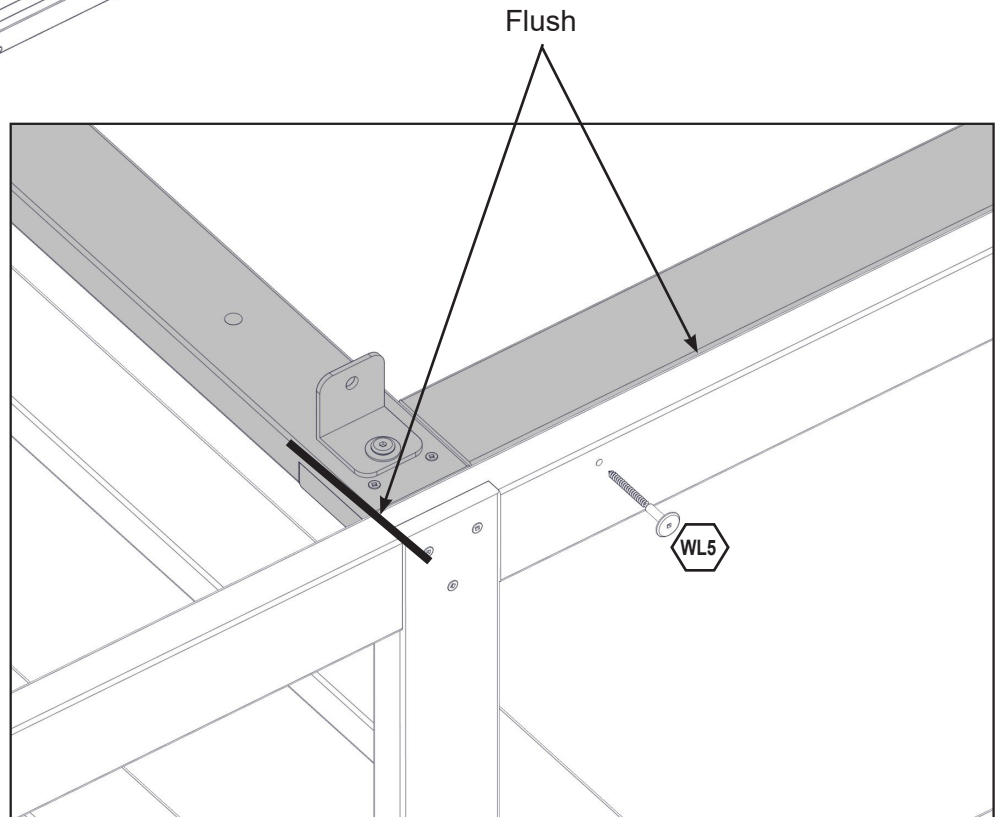
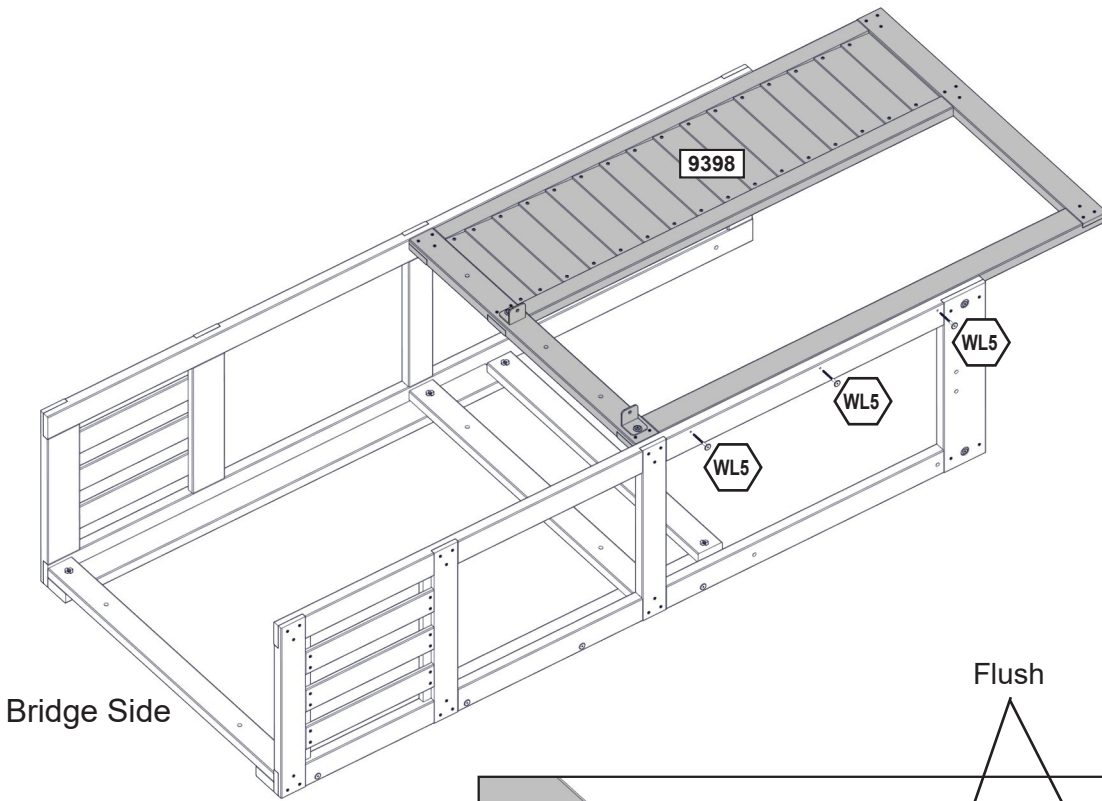
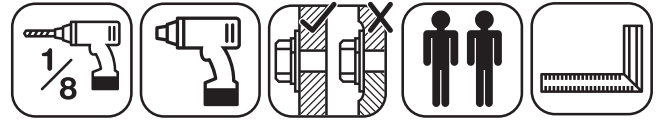
**Hardware**

3 x  6.4mm x 63.5 mm (1/4 x 2-1/2")




19

Pre-drill holes using a 1/8" drill bit.

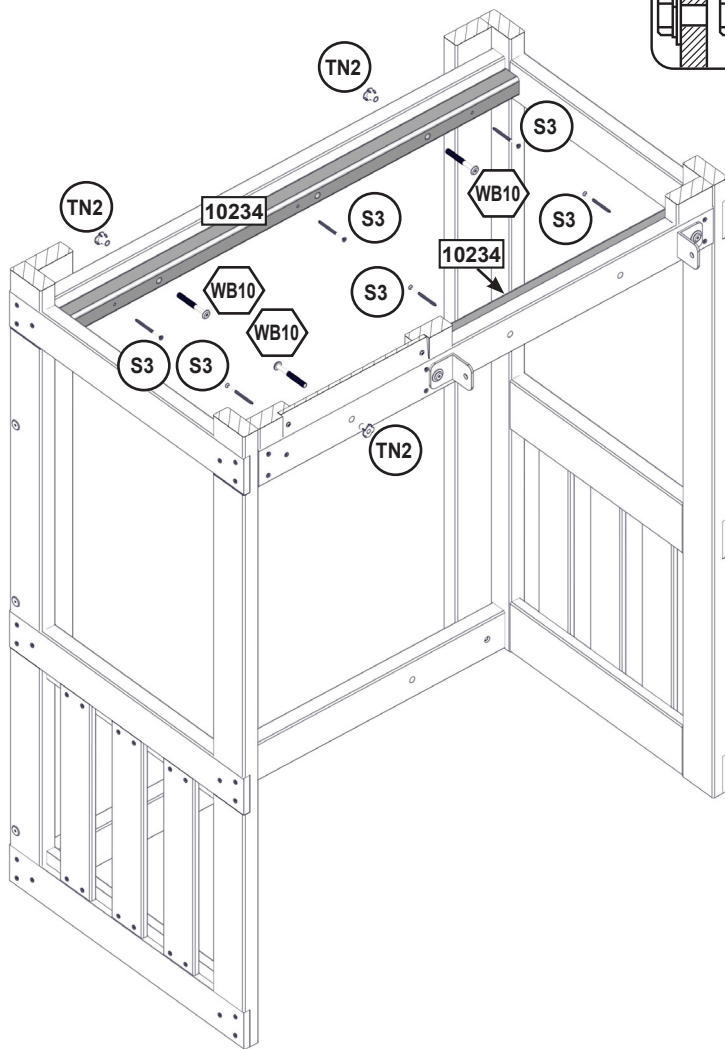


**Hardware**

3 x  6.4mm x 63.5 mm (1/4 x 2-1/2")

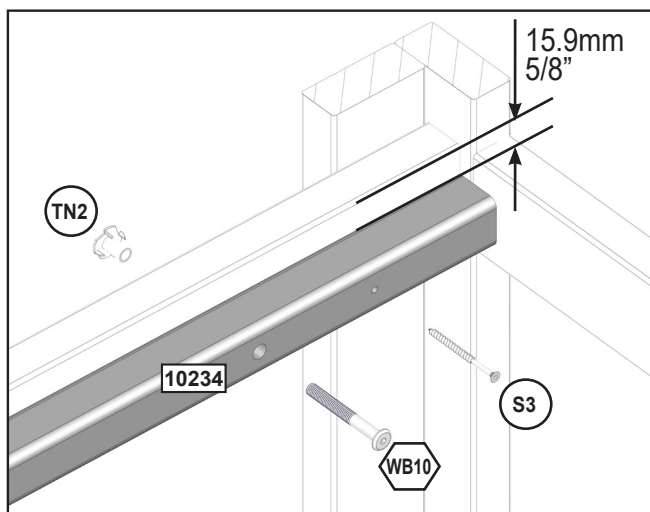
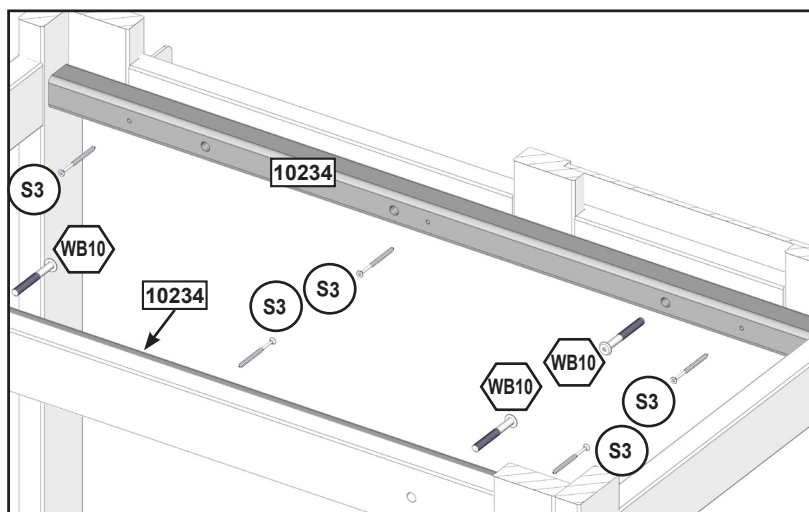


20



**Assemble T-Nuts first with hammer!**

**Note: Structure partly removed for clarity.**



**Wood Parts**

2 x 10234 38.1 x 38.1 x 959 mm (1 1/2" x 1 1/2" x 37 3/4")

**Hardware**

6 x S3 #8 x 64mm (#8 x 2-1/2")

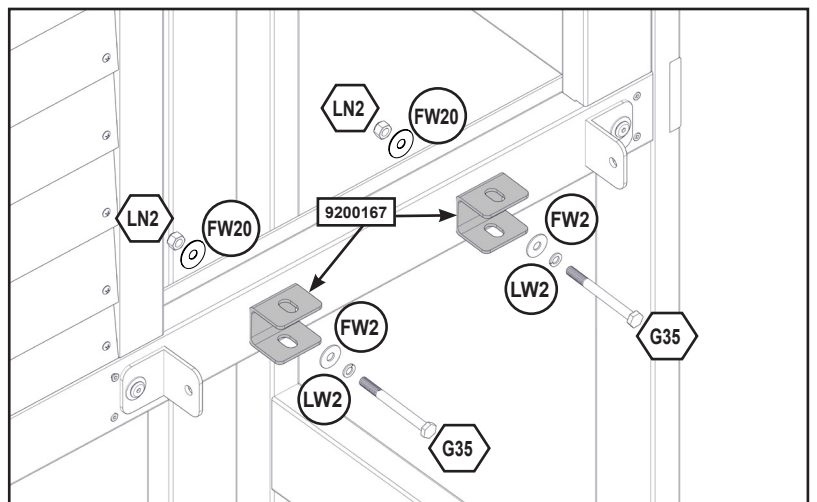
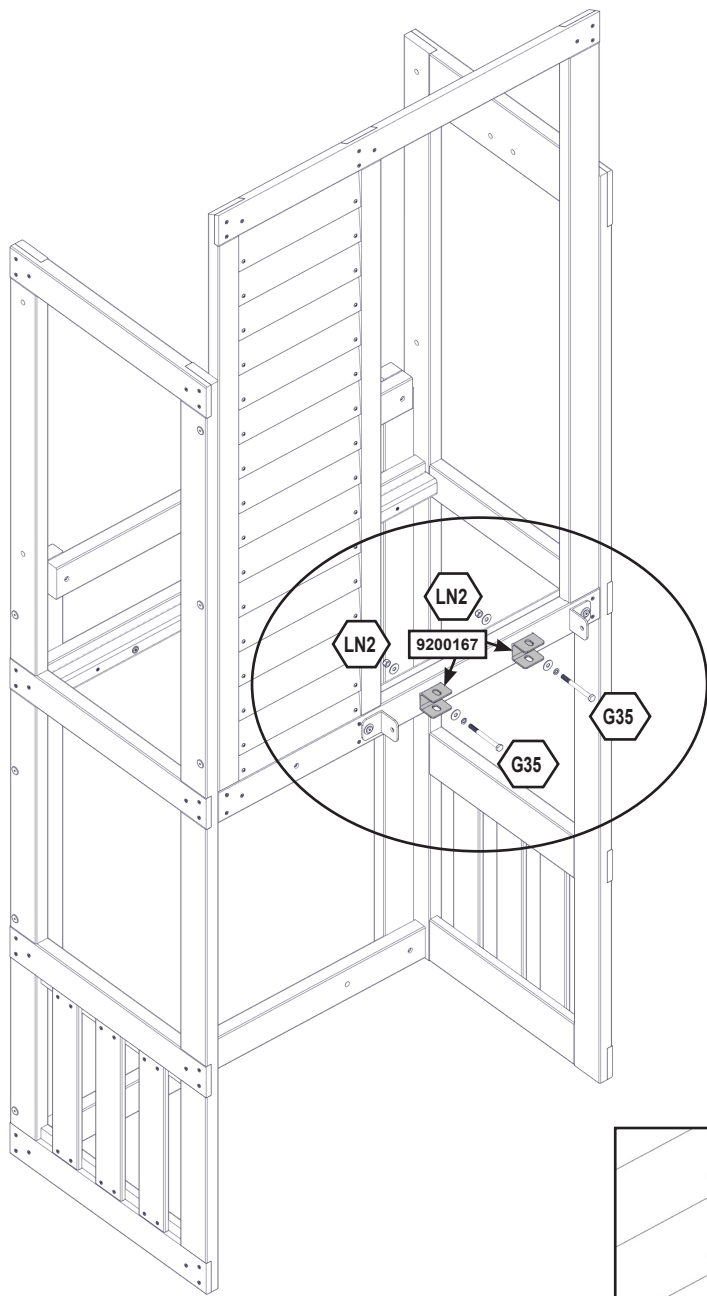
3 x WB10 7.9mm x 66.6 mm (5/16 x 2-5/8")(TN2)

europcustomerservice@kidkraft.com  
 +31 20 305 8620  
 M-F from 09:00 to 17:30 (GMT+1)

parts.kidkraft.eu




21



**Hardware**

2 x  7.9mm x 82.6 mm (5/16 x 3-1/4") ( FW2,FW20,LW2, LN2)

**Other Parts**

2 x 

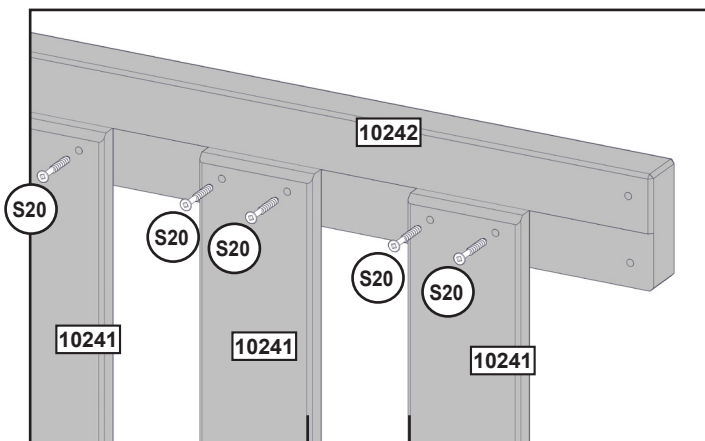
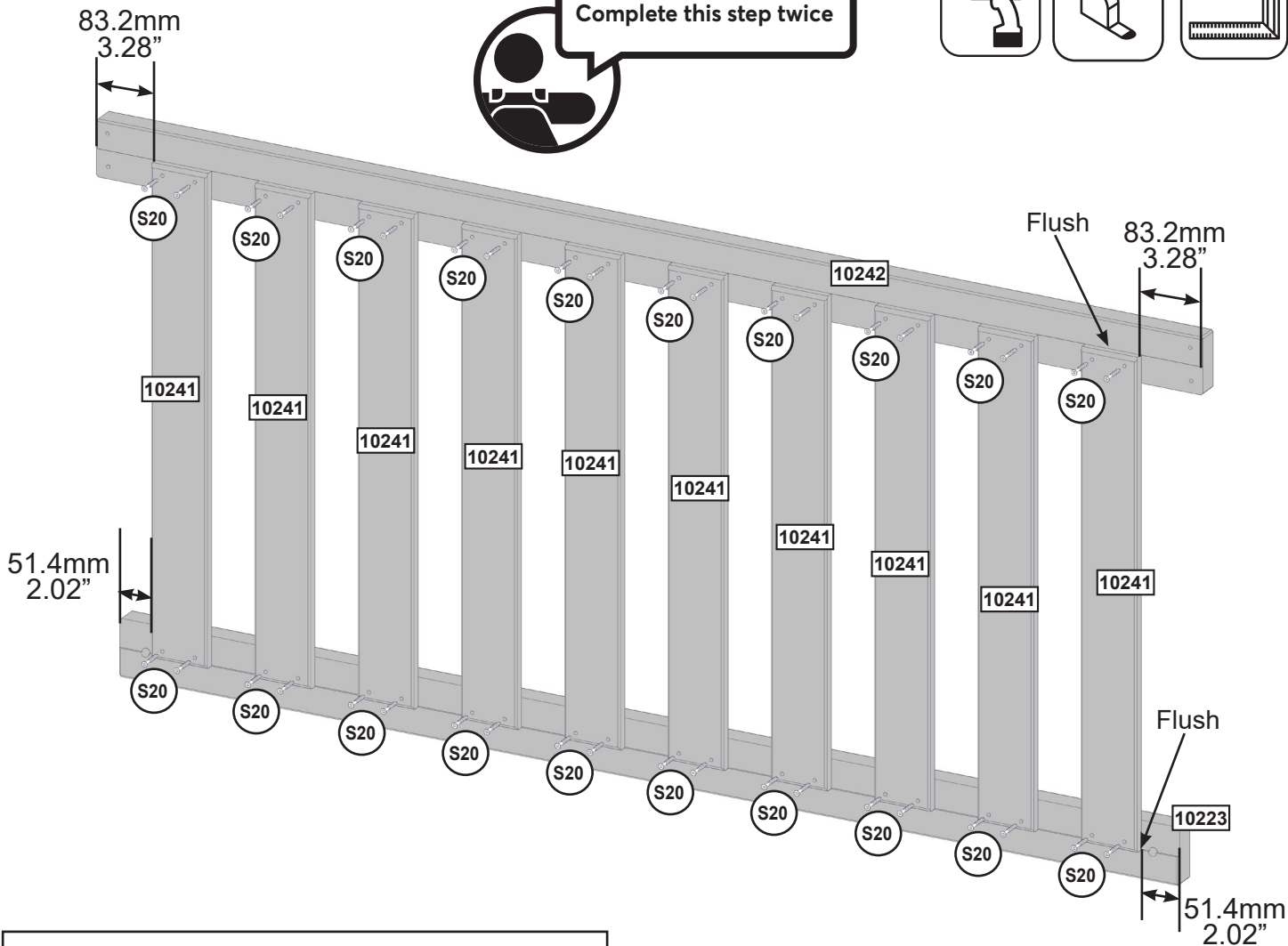
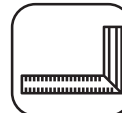


parts.kidkraft.com

customerservice@kidkraft.com  
1.800.933.0771  
972.385.0100

22

Complete this step twice



2.57" (65.3mm)  
TYP 9 Places

**Wood Parts**

- 20 x 10241 15.9 x 76.2 x 609.6 mm (5/8" x 3" x 24")
- 2 x 10242 31.8 x 76.2 x 1515.2 mm (1 1/4" x 3" x 59 5/8")
- 2 x 10223 31.8 x 76.2 x 1451.6 mm (1 1/4" x 3" x 57 1/8")

**Hardware**

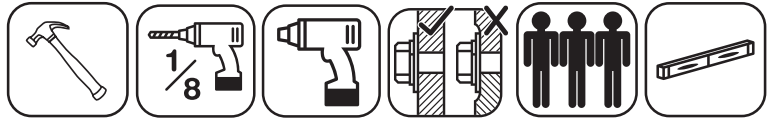
- 80 x S20 #8 x 35mm (#8 x 1-3/8")

europecustomerservice@kidkraft.com  
+31 20 305 8620  
M-F from 09:00 to 17:30 (GMT+1)

parts.kidkraft.eu

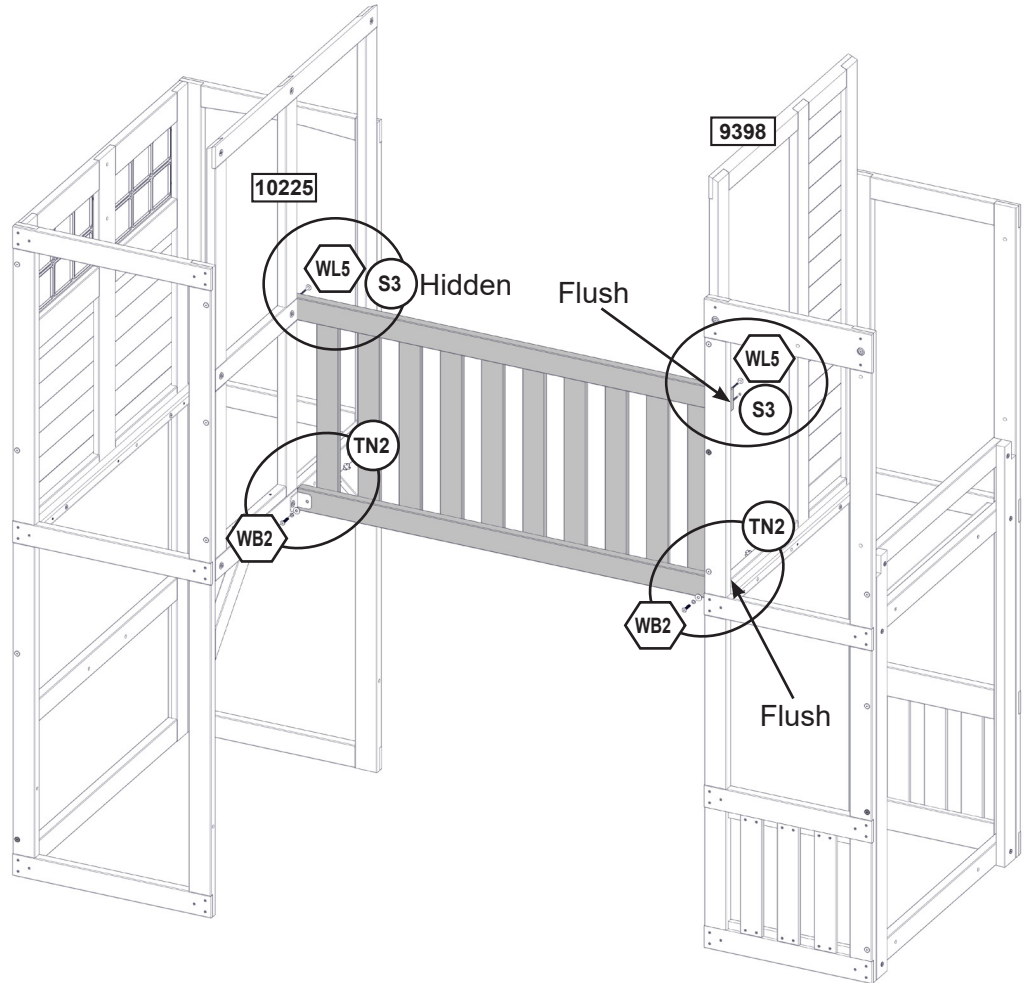
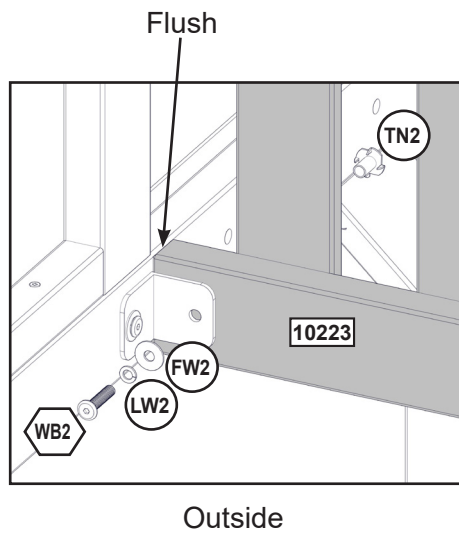
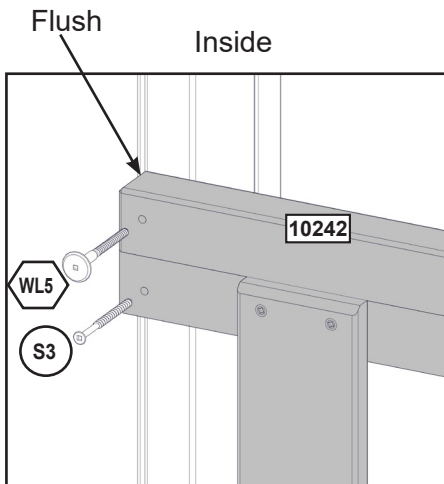


23



**Assemble T-Nuts  
first with hammer!**

**Pre-drill holes using  
a 1/8" drill bit.**



**Hardware**

2 x  6.4mm x 63.5 mm (1/4 x 2-1/2")

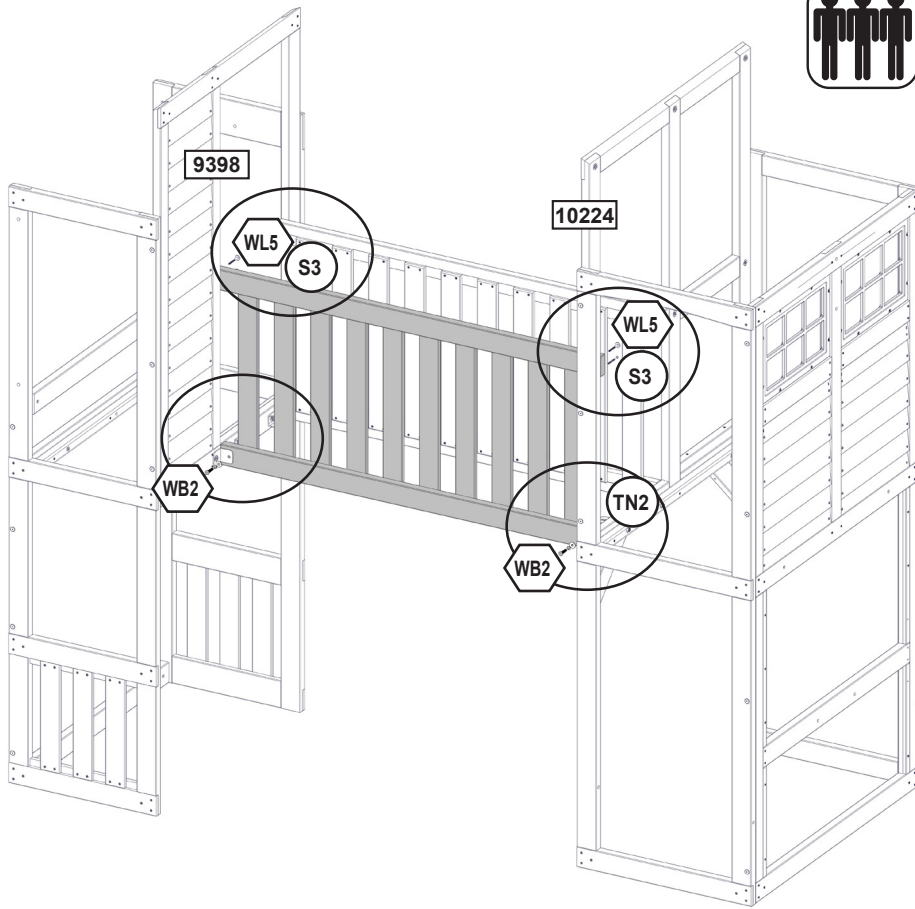
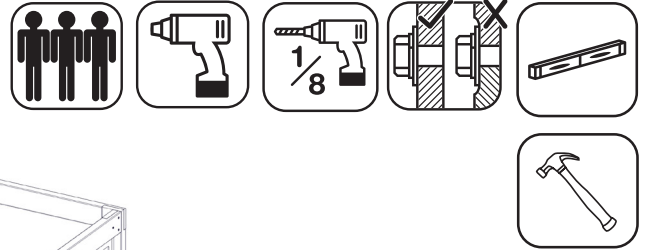
2 x  7.9mm x 34.9 mm (5/16 x 1-3/8")(FW2, LW2, TN2)

2 x  #8 x 63.5mm (#8 x 2-1/2")



parts.kidkraft.com

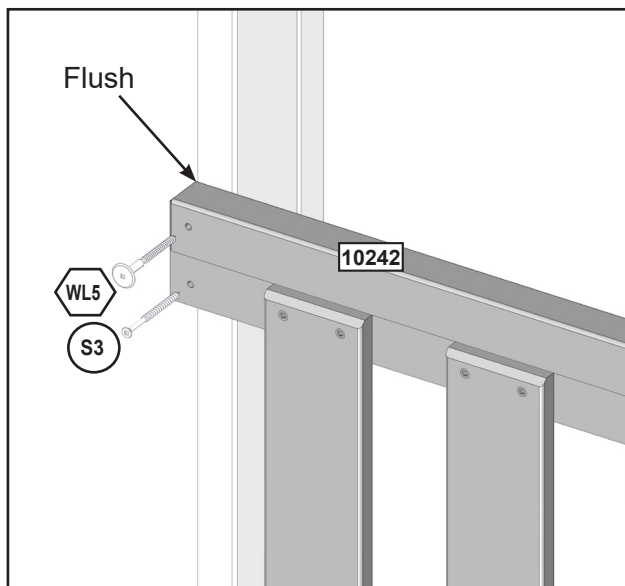
customerservice@kidkraft.com  
1.800.933.0771  
972.385.0100



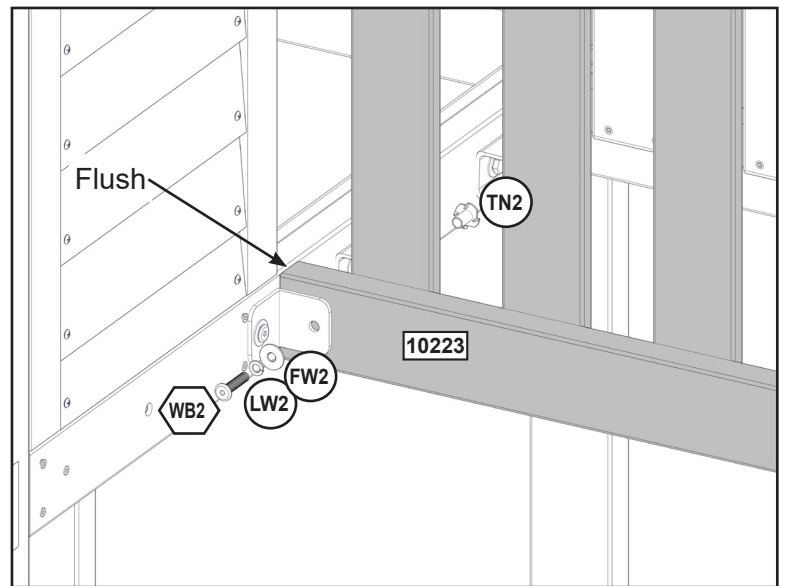
Pre-drill holes using a 1/8" drill bit.

Assemble T-Nuts first with hammer!

Inside



Outside



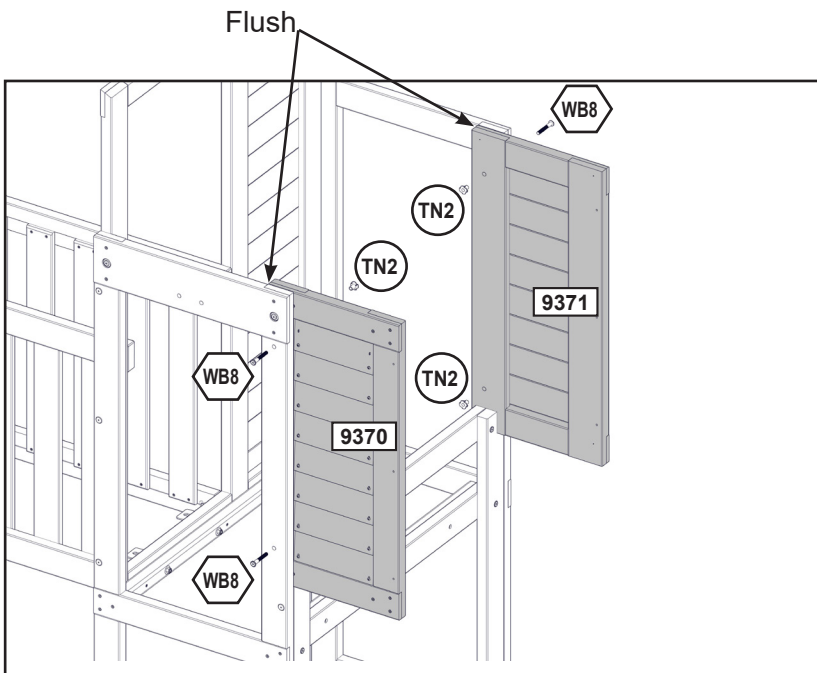
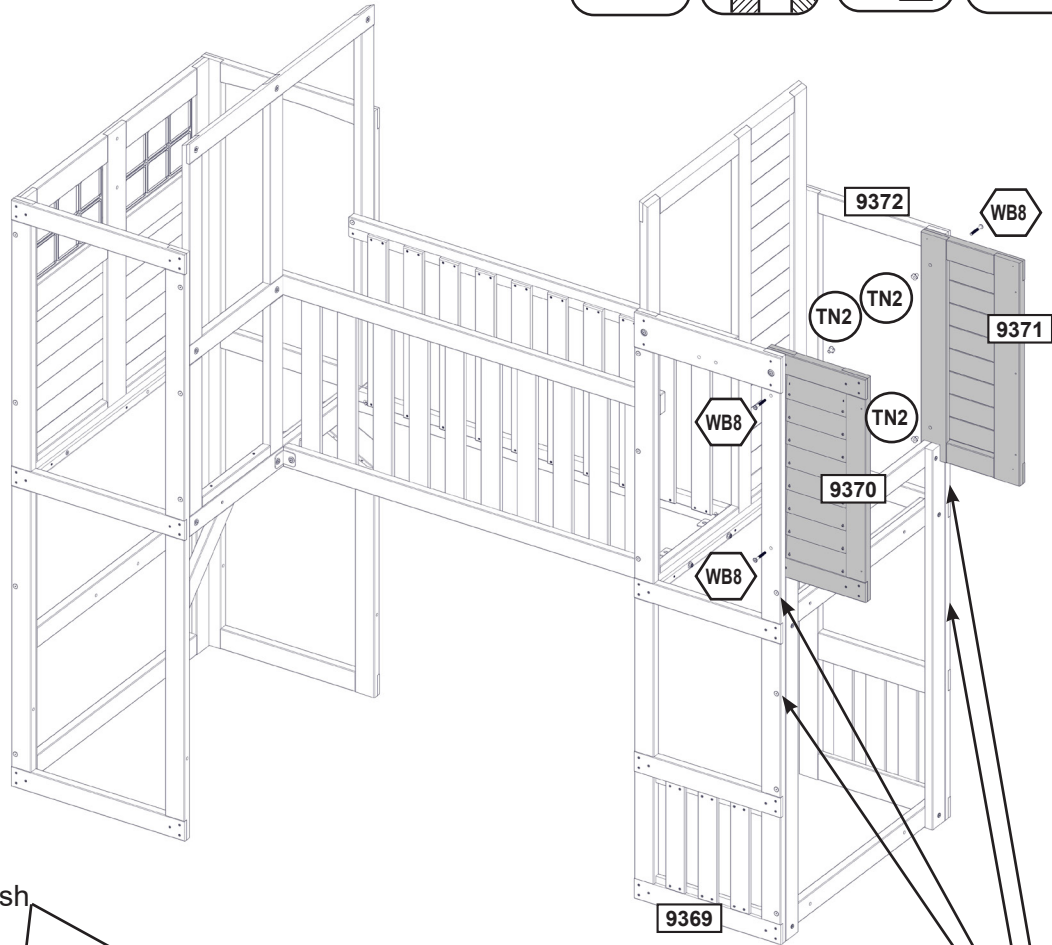
**Hardware**

- 2 x 6.4mm x 63.5 mm (1/4 x 2-1/2")
- 2 x 7.9mm x 34.9 mm (5/16 x 1-3/8") (FW2, LW2, TN2)
- 2 x #8 x 63.5mm (#8 x 2-1/2")



25

Assemble T-Nuts first with hammer!



Loosen WL5 hardware from steps 15, 16 to complete the step. Retighten hardware when step is complete.



**Wood Parts**

- 1 x 9370 31.8 x 389.6 x 843.4mm (1 1/4" x 15 5/16" x 33 3/16")
- 1 x 9371 31.8 x 389.6 x 843.4mm (1 1/4" x 15 5/16" x 33 3/16")

**Hardware**

- 4 x WB8 7.9mm x 60.3 mm (5/16 x 2-3/8")(TN2)

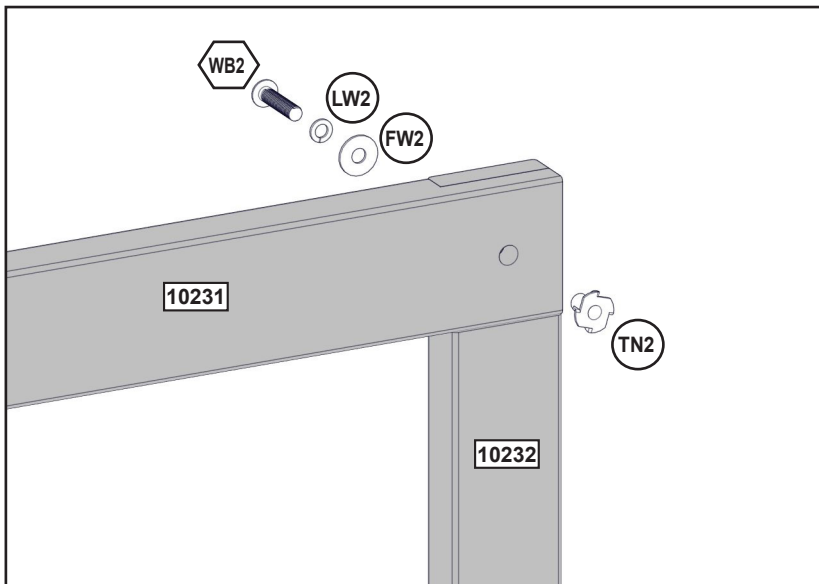
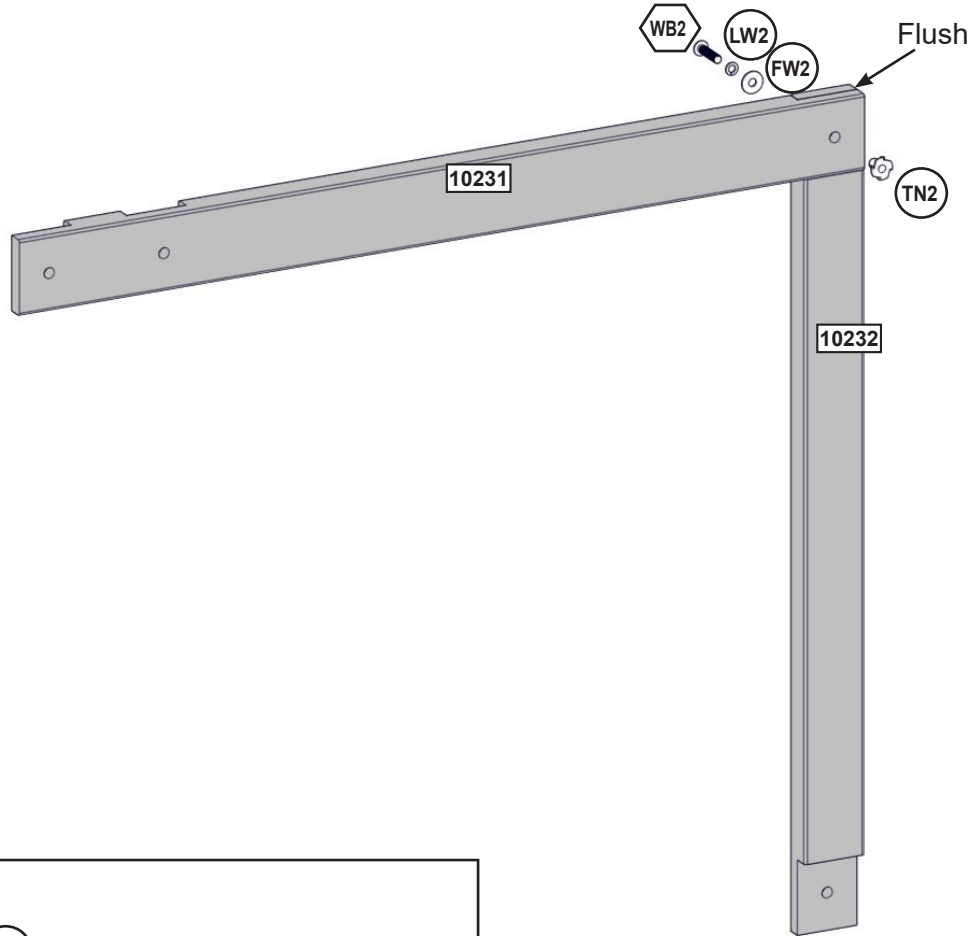


parts.kidkraft.com

customerservice@kidkraft.com  
1.800.933.0771  
972.385.0100

26

Assemble T-Nuts first with hammer!



**Wood Parts**

- 1 x 10231 31.8 x 76.2 x 901.5 mm (1 1/4" x 3" x 35 1/2")
- 1 x 10232 31.8 x 63.5 x 843.4 mm (1 1/4" x 2 1/2" x 33 3/16")

**Hardware**

- 1 x WB2 7.9mm x 34.9 mm (5/16 x 1-3/8")(FW2, LW2, TN2)

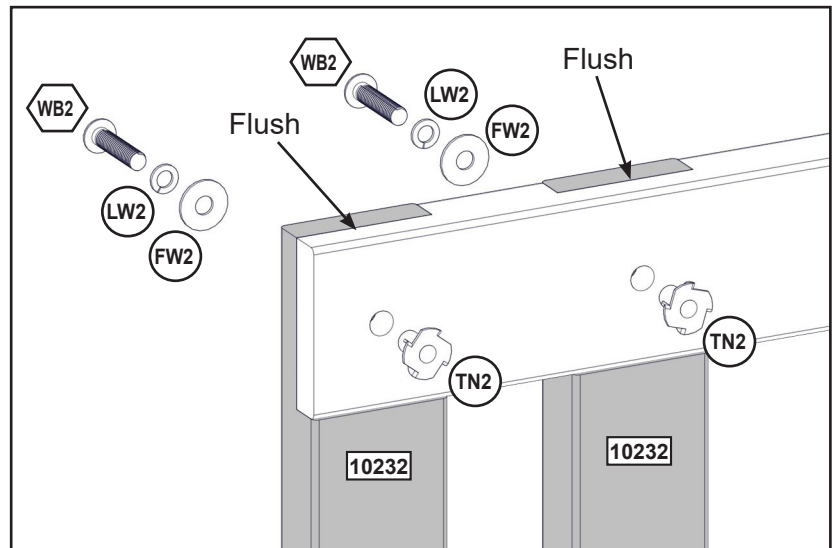
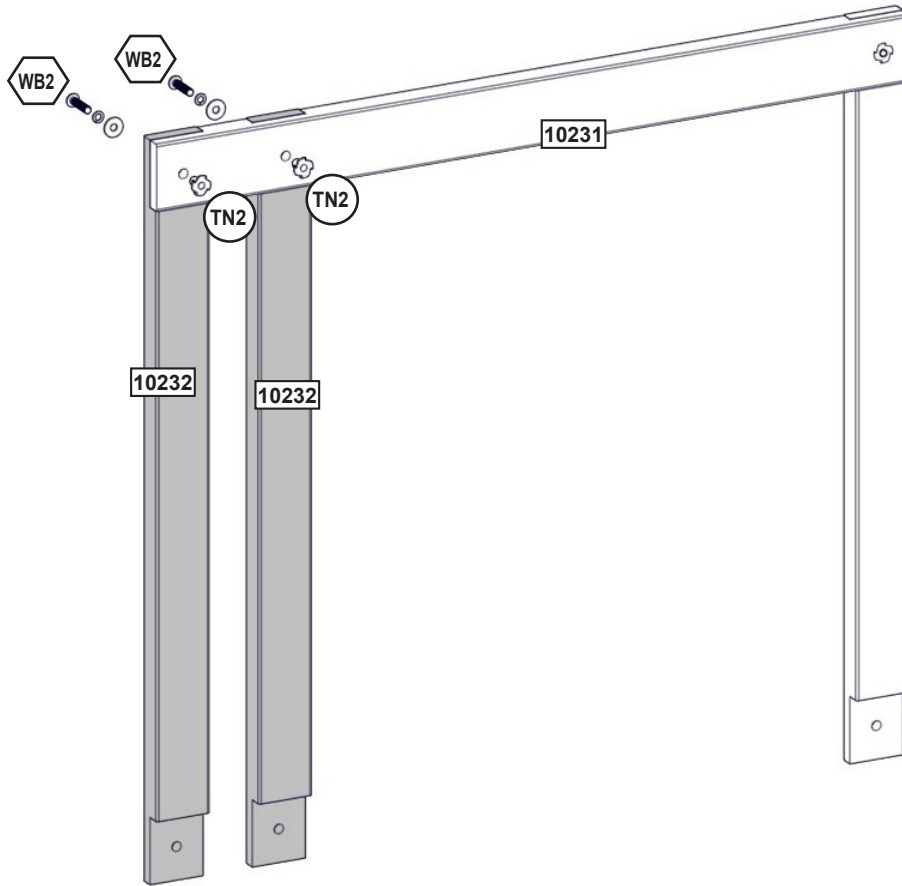
europecustomerservice@kidkraft.com  
 +31 20 305 8620  
 M-F from 09:00 to 17:30 (GMT+1)

parts.kidkraft.eu



27

Assemble T-Nuts first with hammer!



**Wood Parts**

2 x 10232 31.8 x 63.5 x 843.4 mm (1 1/4" x 2 1/2" x 33 3/16")

**Hardware**

2 x WB2 7.9mm x 34.9 mm (5/16 x 1-3/8")(FW2, LW2, TN2)

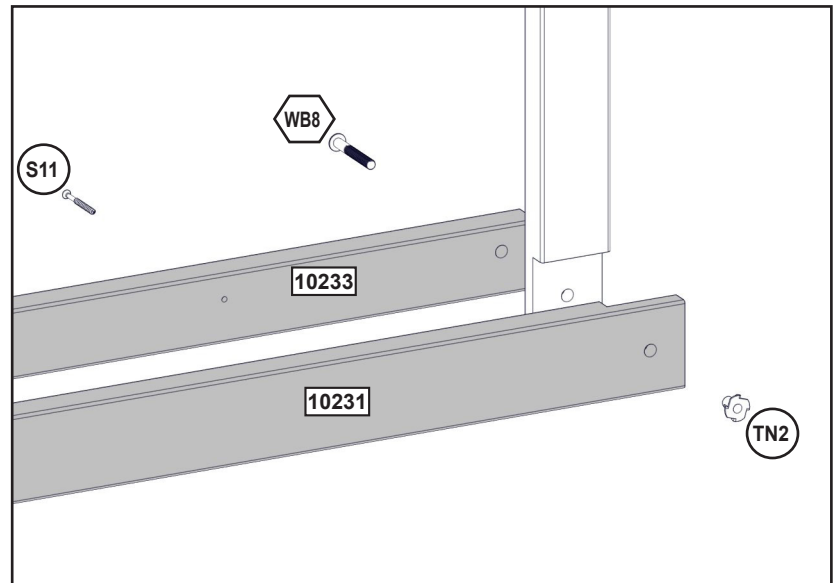
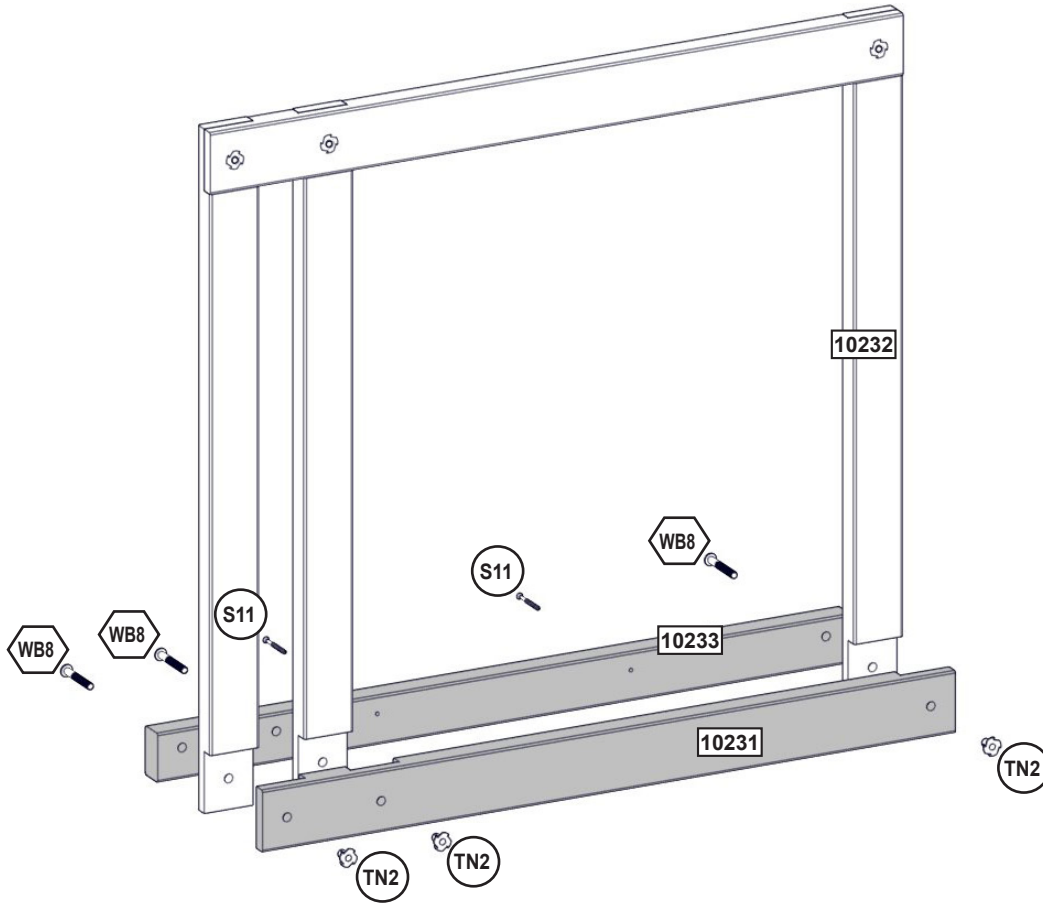


parts.kidkraft.com

customerservice@kidkraft.com  
1.800.933.0771  
972.385.0100



Assemble T-Nuts first with hammer!



**Wood Parts**

- 1 x 31.8 x 76.2 x 901.5 mm (1 1/4" x 3" x 35 1/2")
- 1 x 31.8 x 60.3 x 901.5 mm (1 1/4" x 2 3/8" x 35 1/2")

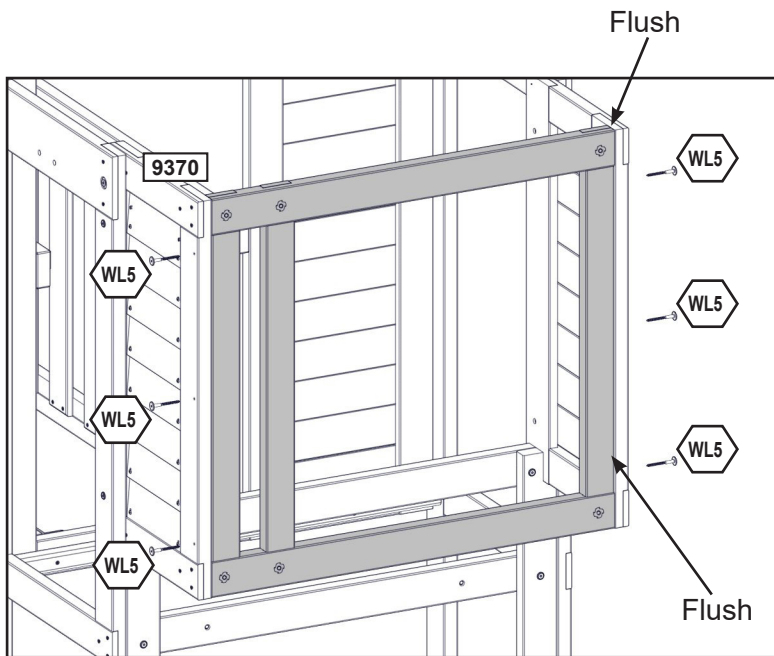
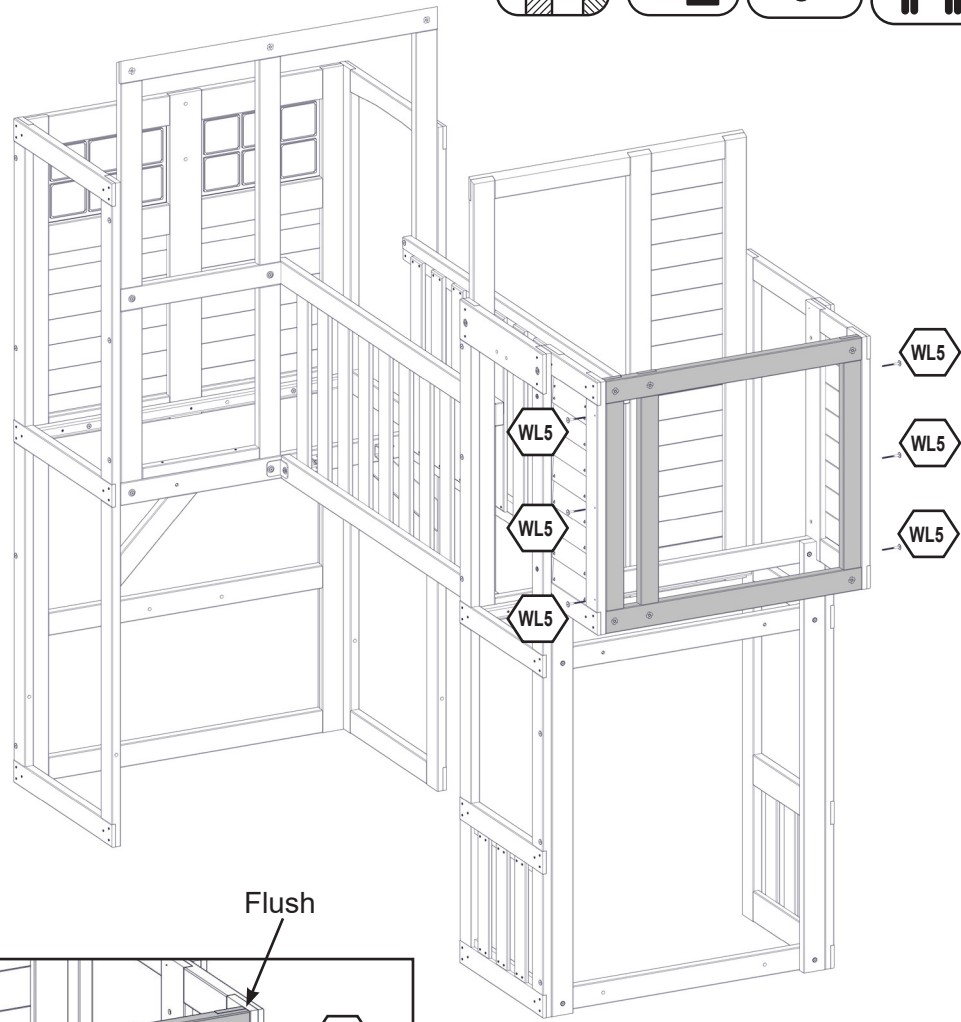
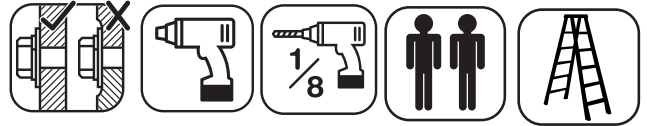
**Hardware**

- 3 x 7.9mm x 60.3 mm (5/16 x 2-3/8")(TN2)
- 2 x #8 x 50.8mm (#8 x 2")



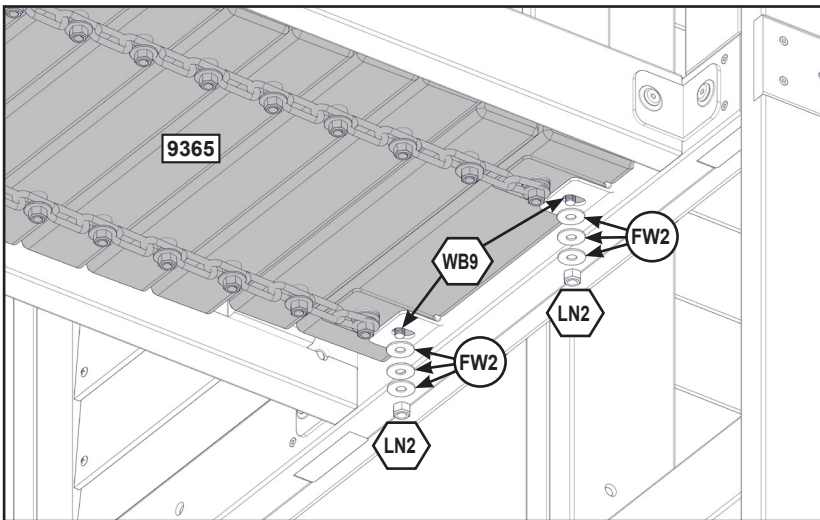
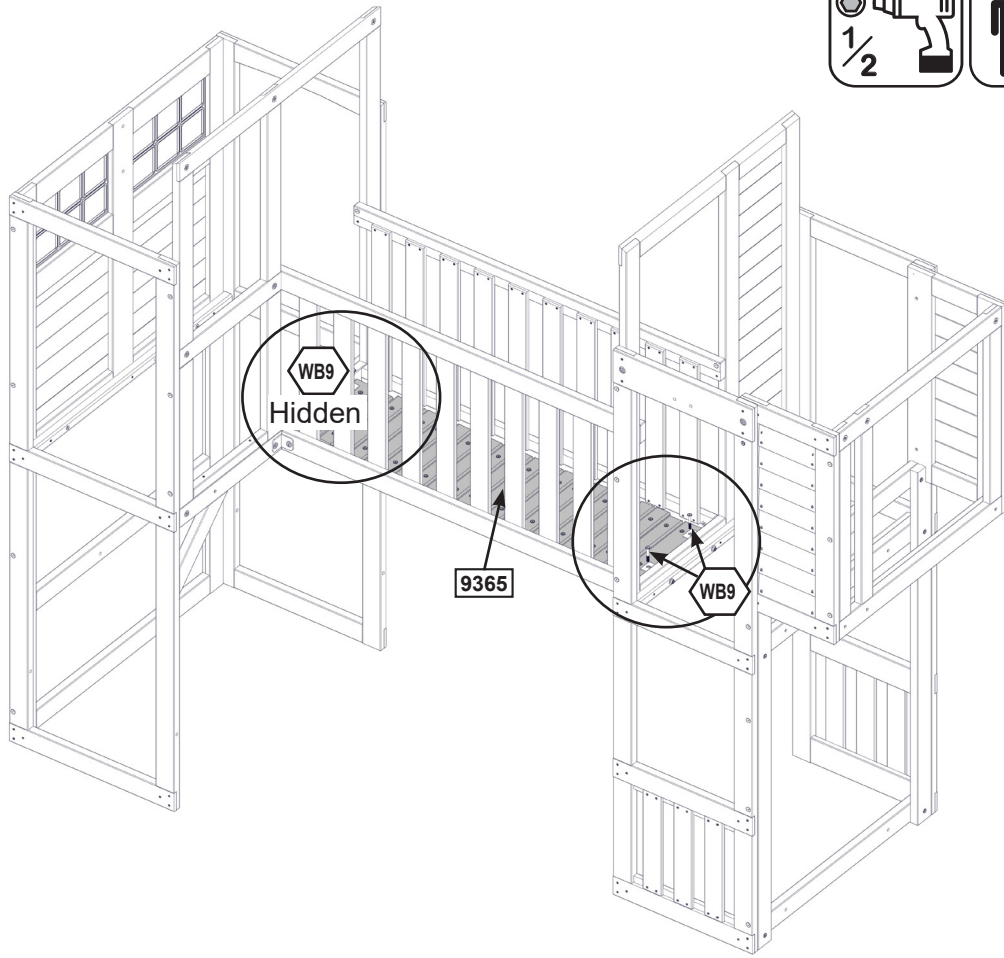
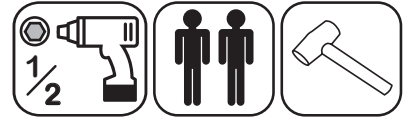
29

Pre-drill holes using a 1/8" drill bit.



**Hardware**

6 x  6.4mm x 63.5 mm (1/4 x 2-1/2")



**Underneath View**

The chain links may come out of the box and cause the bridge not to lay flat. Please shake the bridge to release the chain tension until the bridge lays flat.



**IMPORTANT!**  
Use of 3 flat washers per bolt is required to avoid sharp bolt end protruding past the nut.

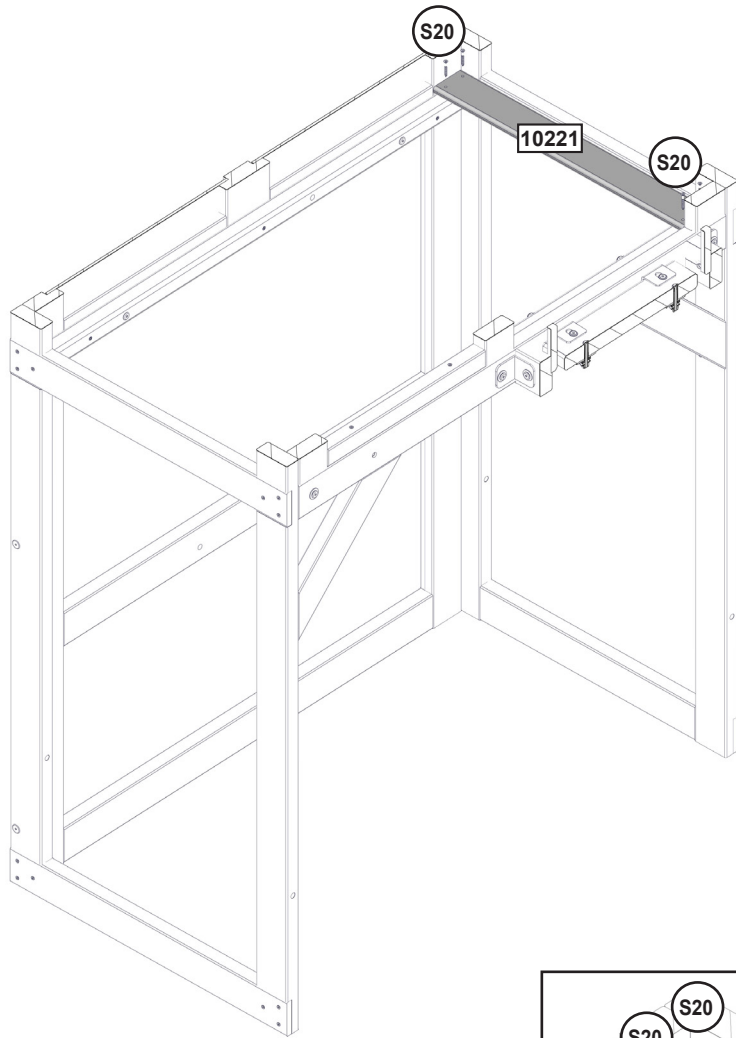
**Hardware**

4 x 7.9mm x 54 mm (5/16 x 2-1/8") (FW2 x 3, LN2)

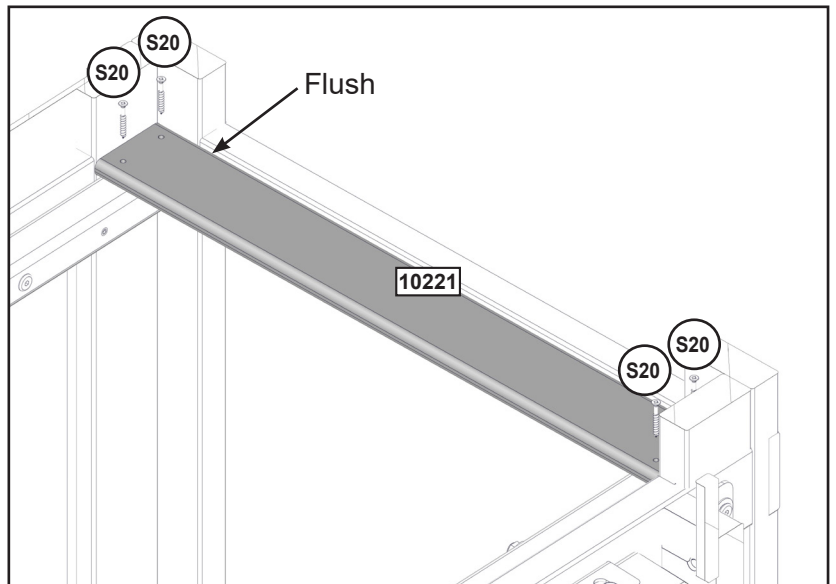
**Other Parts**

1 x





Note: Structure partly removed for clarity.

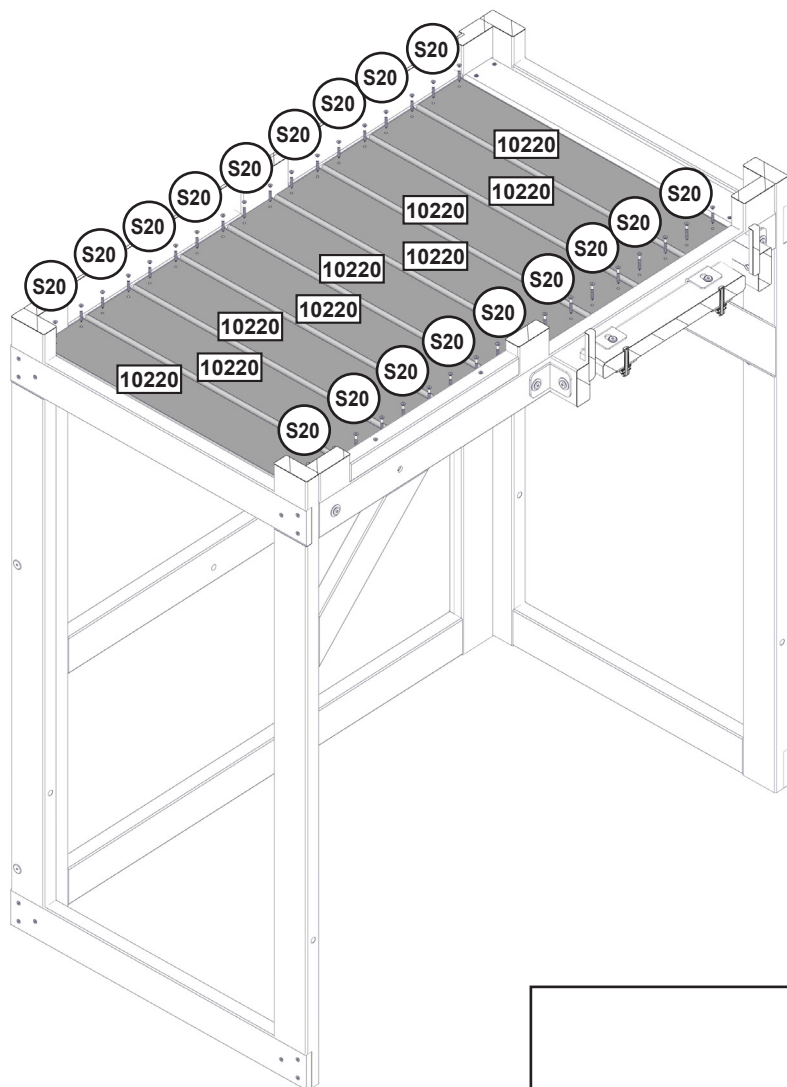


**Wood Parts**

1 x 10221 15.9 x 76.2 x 612 mm (5/8" x 3" x 24 1/16")

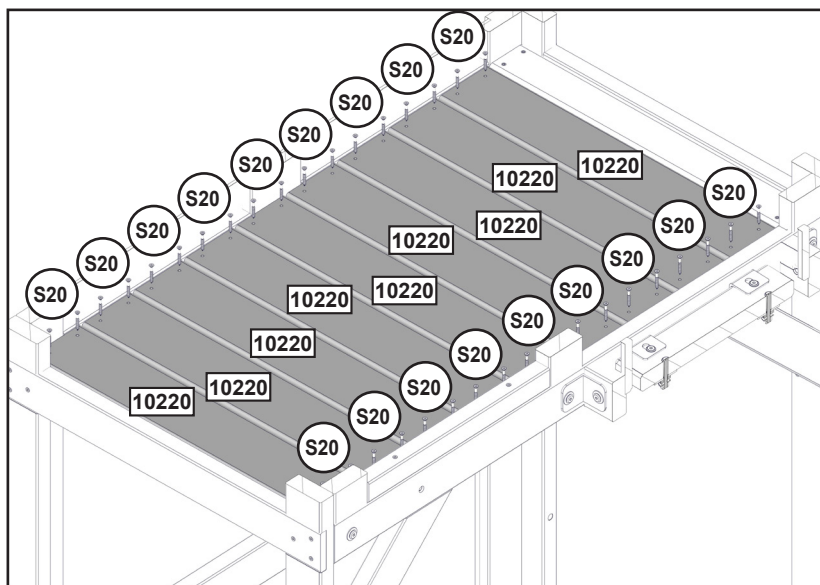
**Hardware**

4 x S20 #8 x 35mm (#8 x 1-3/8")



**Note: Structure partly removed for clarity.**

**Evenly space the boards**



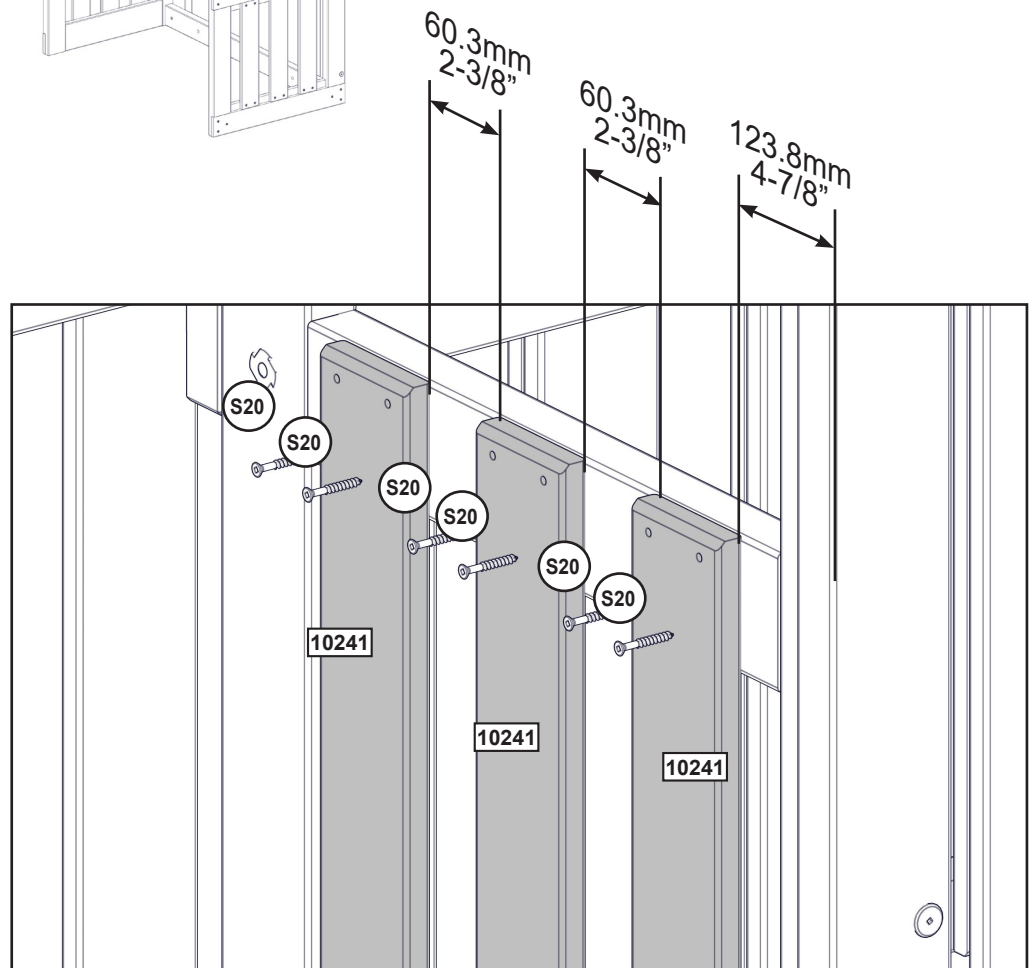
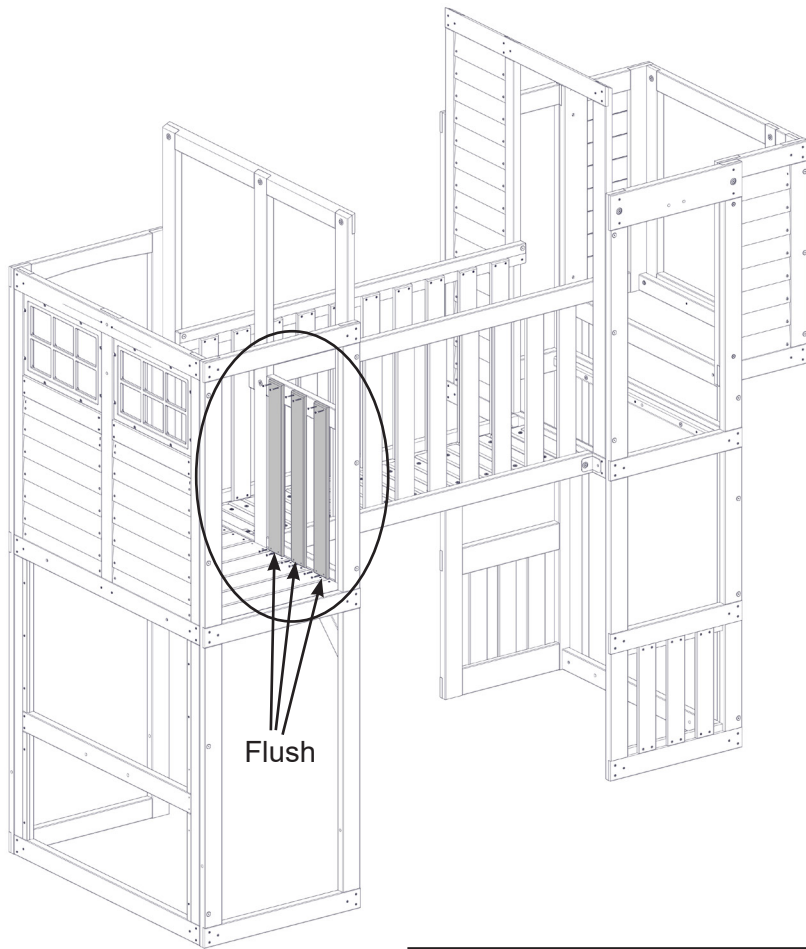
**Wood Parts**

9 x  15.9 x 114.3 x 612 mm (5/8" x 4 1/2" x 24 1/16")

**Hardware**

36 x  #8 x 35mm (#8 x 1-3/8")





**Wood Parts**

3 x **10241** 15.9 x 76.2 x 648.2 mm (5/8" x 3" x 25 1/2")

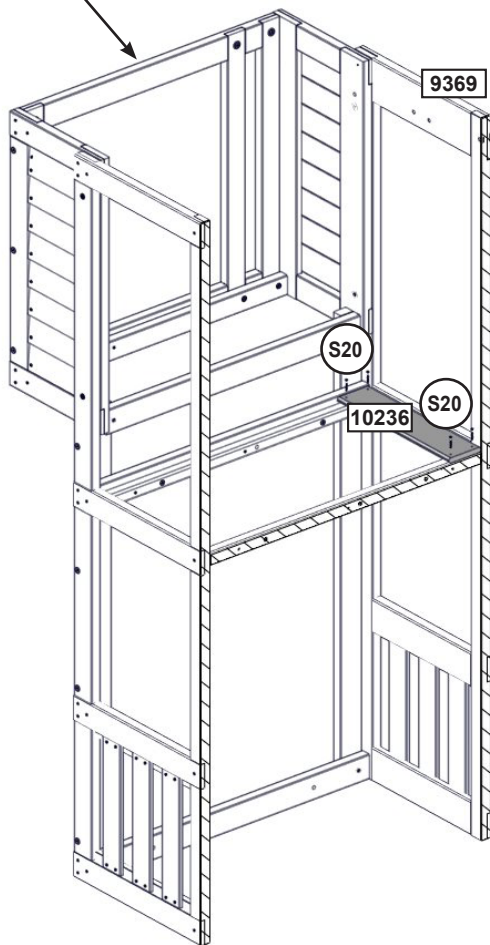
**Hardware**

12 x **S20** #8 x 35mm (#8 x 1-3/8")

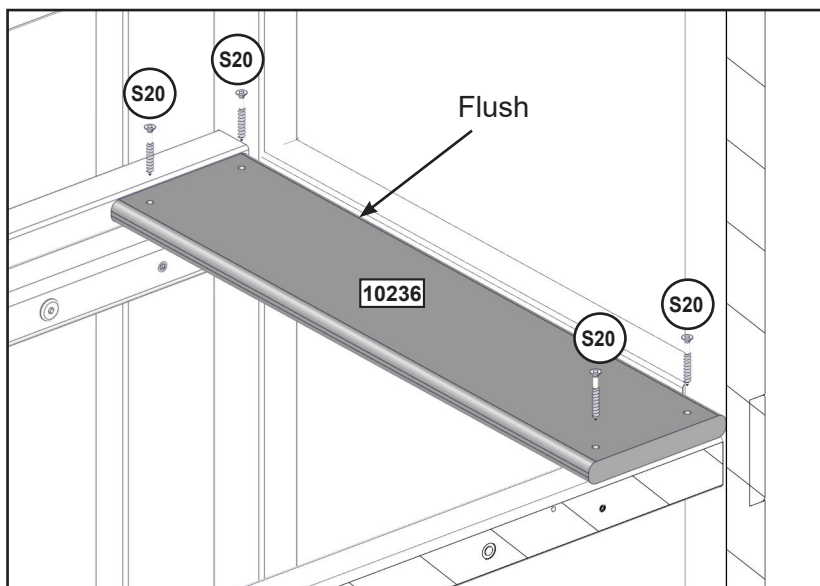
34



Tube Slide Side



Note: Structure partly removed for clarity.



**Wood Parts**

1 x 10236 15.9 x 114.3 x 475.2 mm (5/8" x 4 1/2" x 18 11/16")

**Hardware**

4 x S20 #8 x 35mm (#8 x 1-3/8")

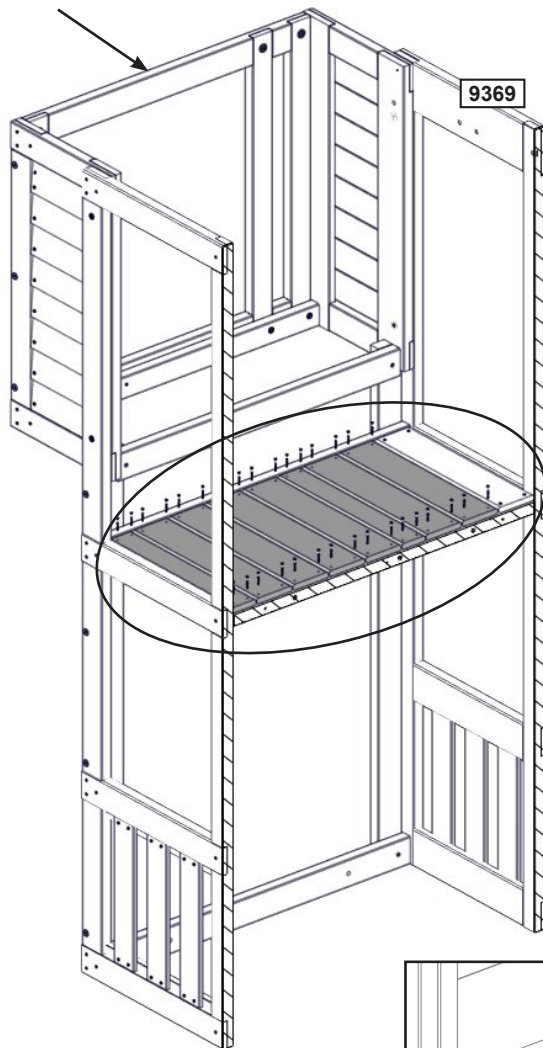
europcustomerservice@kidkraft.com  
+31 20 305 8620  
M-F from 09:00 to 17:30 (GMT+1)

parts.kidkraft.eu



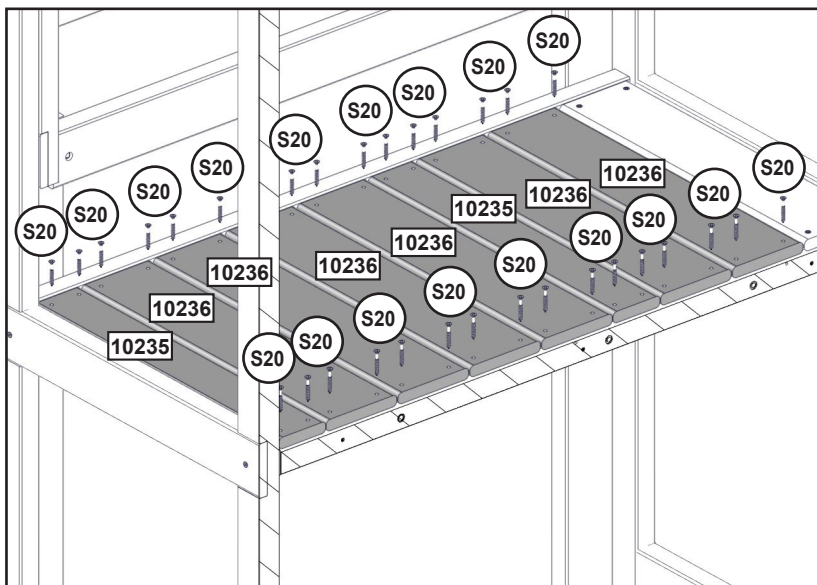
35

Tube Slide Side



Note: Structure partly removed for clarity.

Evenly space the boards



**Wood Parts**

- 2 x 15.9 x 76.2 x 475.2 mm (5/8" x 3" x 18 11/16")
- 6 x 15.9 x 114.3 x 475.2 mm (5/8" x 4 1/2" x 18 11/16")

**Hardware**

- 32 x #8 x 35mm (#8 x 1-3/8")



parts.kidkraft.com

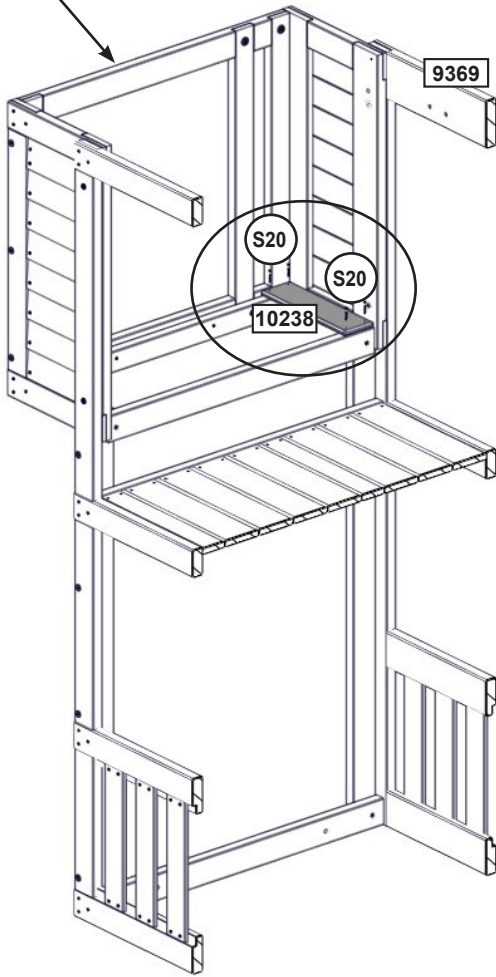
customerservice@kidkraft.com  
1.800.933.0771  
972.385.0100



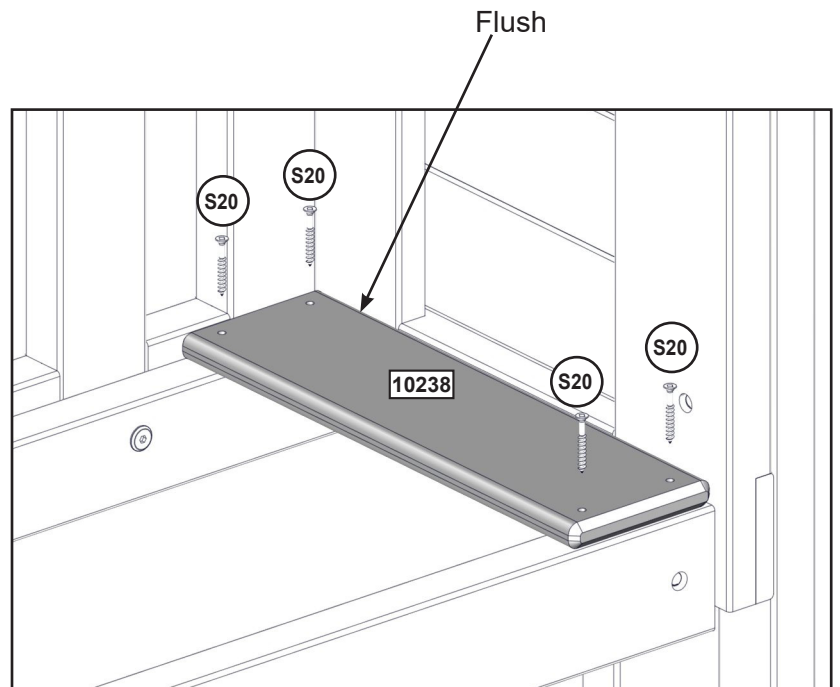
36



Tube Slide Side



Note: Structure partly removed for clarity.



**Wood Parts**

1 x 10238 15.9 x 101.6 x 345.2 mm (5/8" x 4" x 13 9/16")

**Hardware**

4 x S20 #8 x 35mm (#8 x 1-3/8")

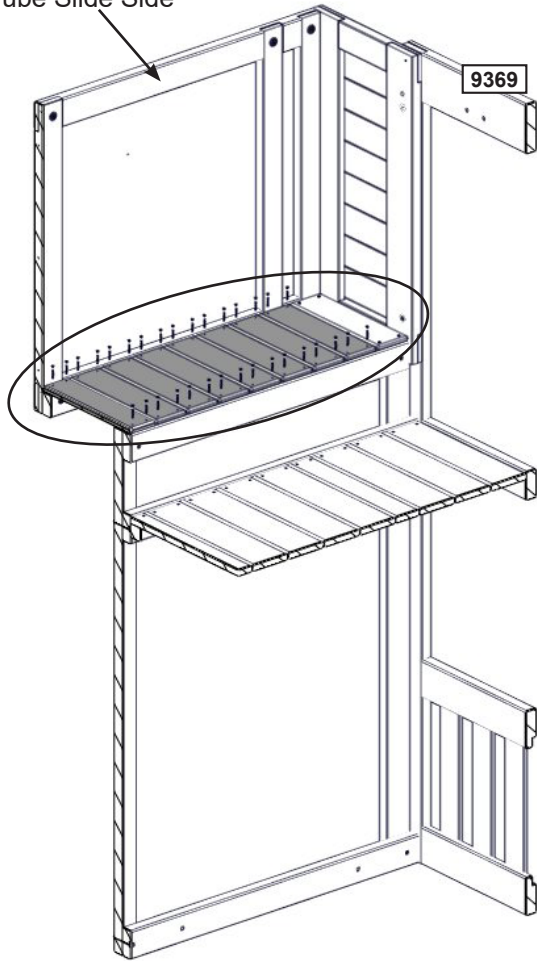
europcustomerservice@kidkraft.com  
+31 20 305 8620  
M-F from 09:00 to 17:30 (GMT+1)

parts.kidkraft.eu



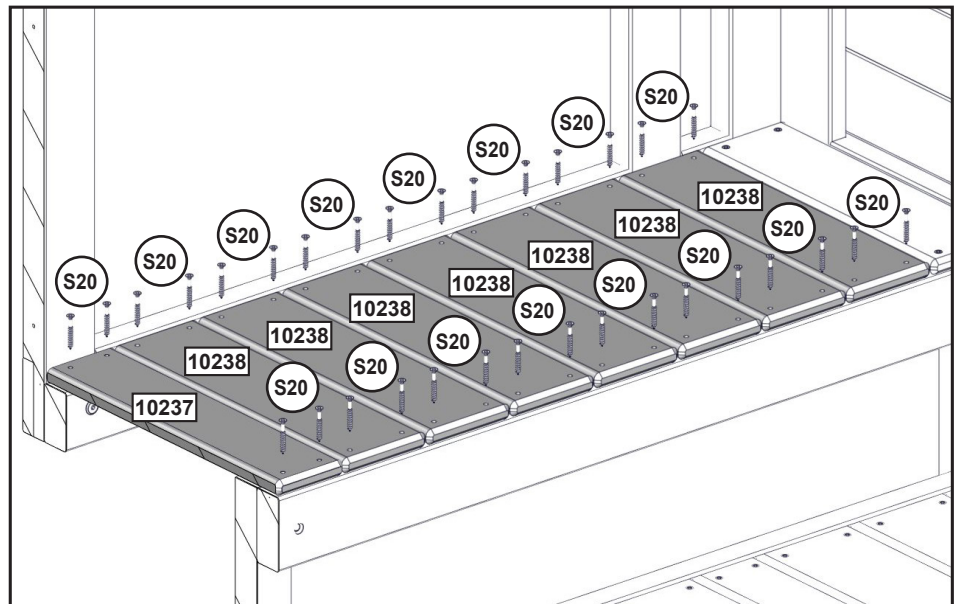
37

Tube Slide Side



**Note: Structure partly removed for clarity.**

**Evenly space the boards**



**Wood Parts**

- 1 x 10237 15.9 x 82.6 x 345.2 mm (5/8" x 3 1/4" x 13 9/16")
- 7 x 10238 15.9 x 101.6 x 345.2 mm (5/8" x 4" x 13 9/16")

**Hardware**

- 32 x S20 #8 x 35mm (#8 x 1-3/8")

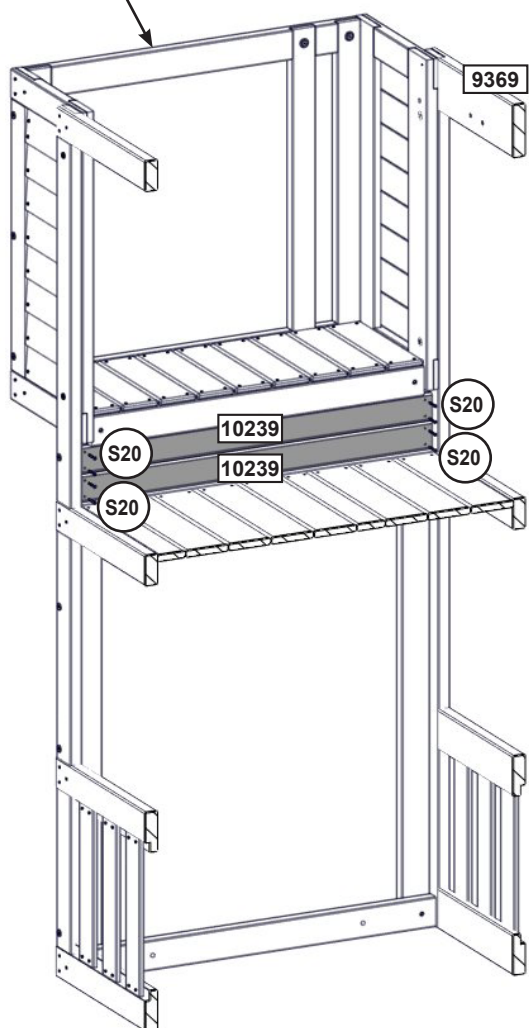


parts.kidkraft.com

customerservice@kidkraft.com  
1.800.933.0771  
972.385.0100

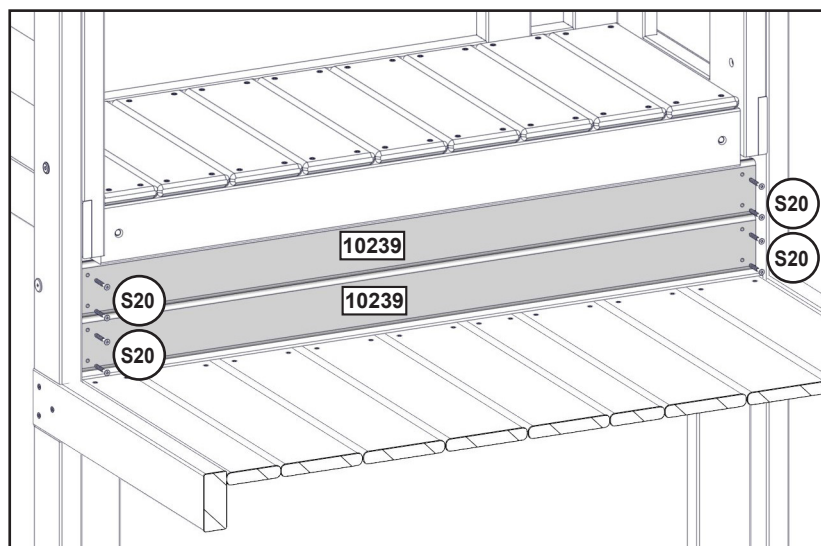
38

Tube Slide Side



Note: Structure partly removed for clarity.

Evenly space the boards



**Wood Parts**

2 x 15.9 x 72.6 x 961.1 mm (5/8" x 2 7/8" x 37 13/16")

**Hardware**

8 x #8 x 35mm (#8 x 1-3/8")

europcustomerservice@kidkraft.com  
+31 20 305 8620  
M-F from 09:00 to 17:30 (GMT+1)

parts.kidkraft.eu

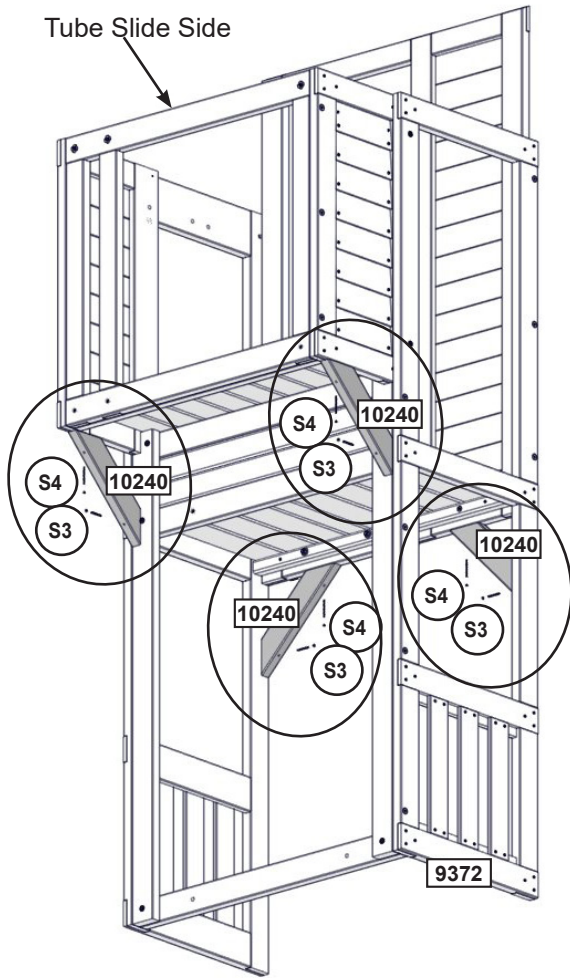


39

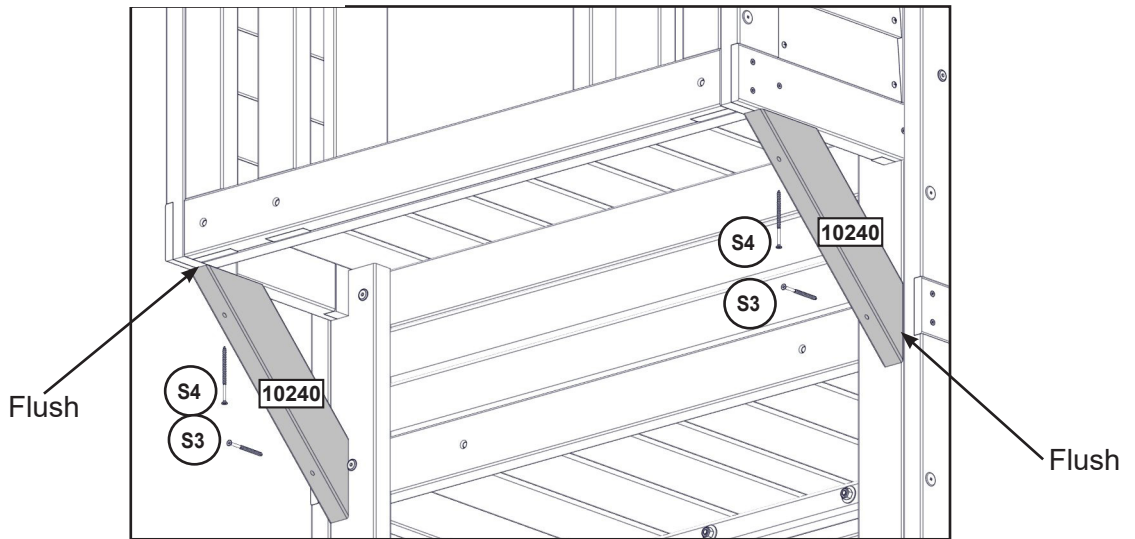
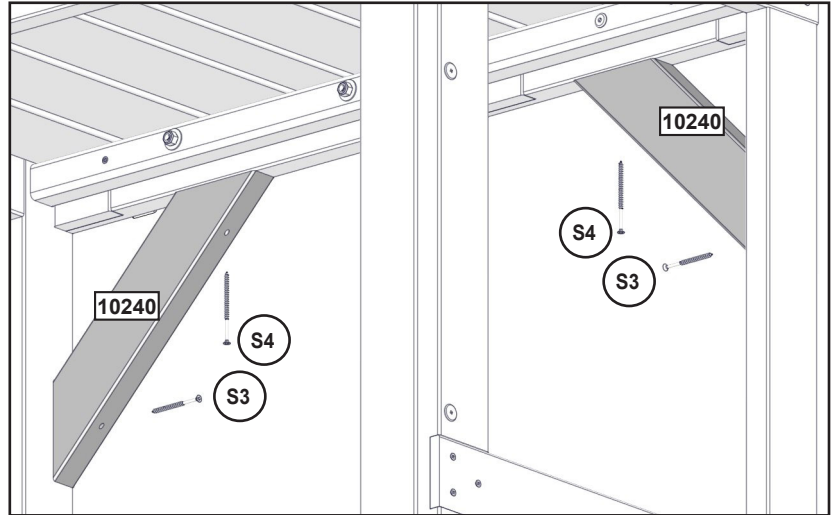
Note: Structure partly removed for clarity.



Tube Slide Side



Underneath Lower Deck View



Underneath Higher Deck View

**Wood Parts**

4 x 10240 31.8 x 76.2 x 381 mm (1 1/4" x 3" x 15")

**Hardware**

4 x S4 #8 x 76.2mm (#8 x 3")

4 x S3 #8 x 63.5mm (#8 x 2-1/2")

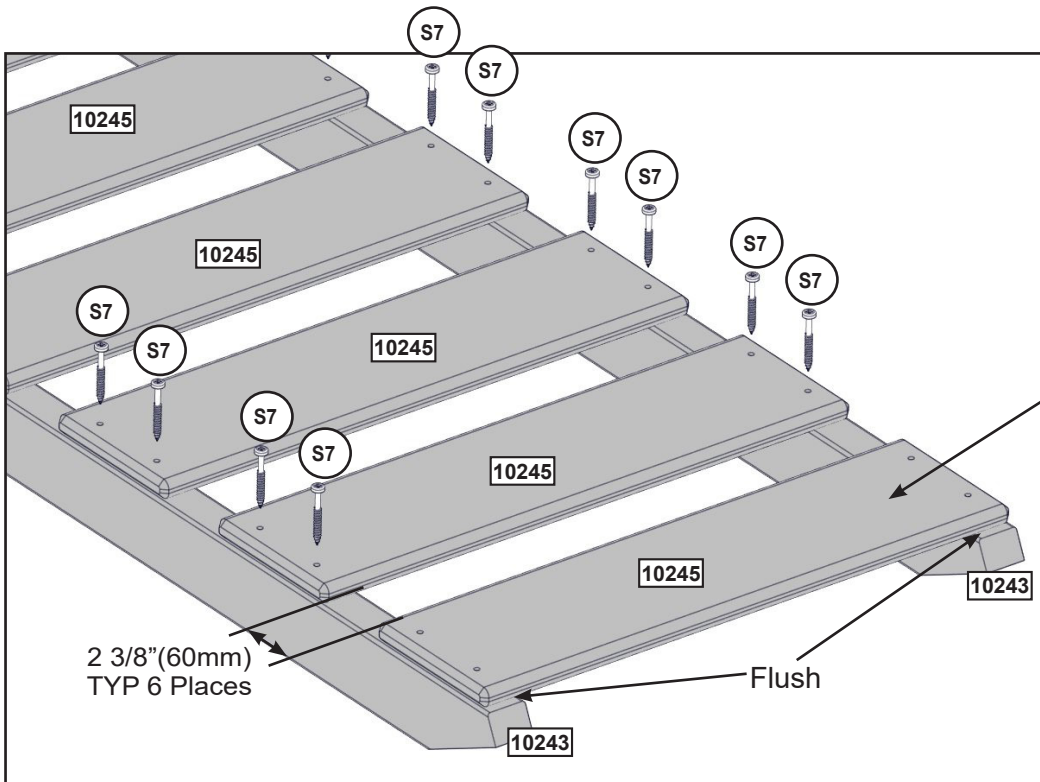
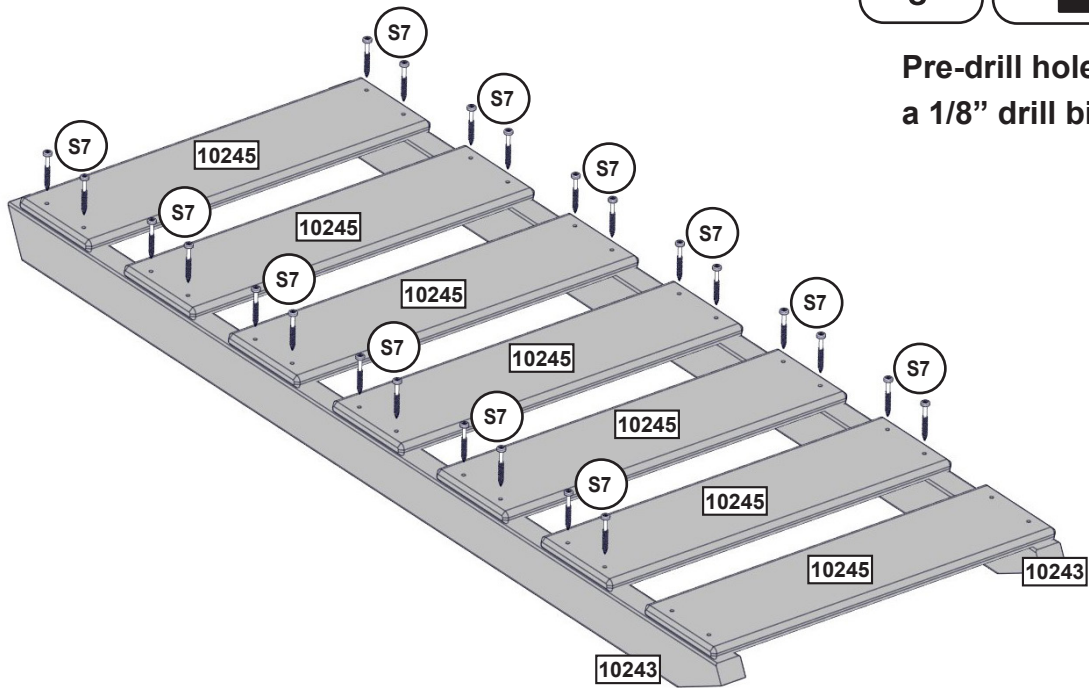


parts.kidkraft.com

customerservice@kidkraft.com  
1.800.933.0771  
972.385.0100



Pre-drill holes using a 1/8" drill bit.



**Wood Parts**

- 7 x 10245 15.9 x 133.4 x 493 mm (5/8" x 5 1/4" x 19 7/16")
- 2 x 10243 34.9 x 63.5 x 1349.3 mm (1 3/8" x 2 1/2" x 53 1/8")

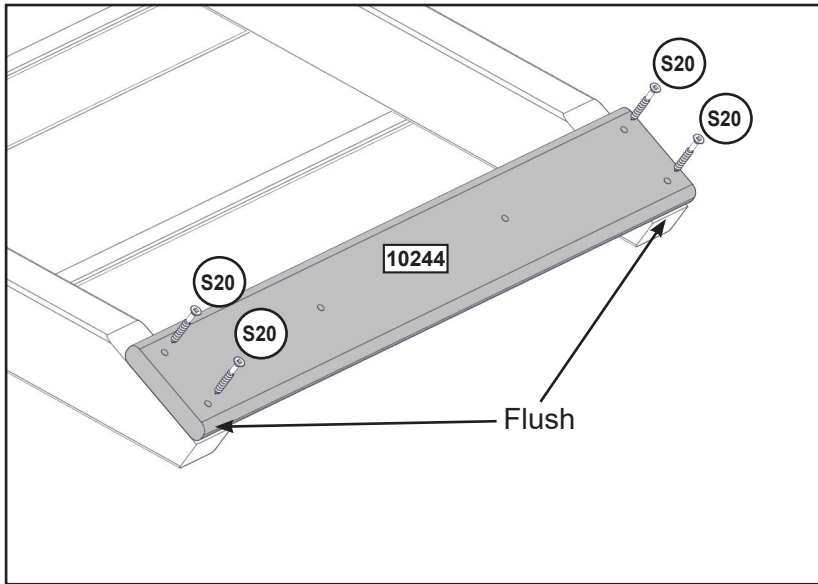
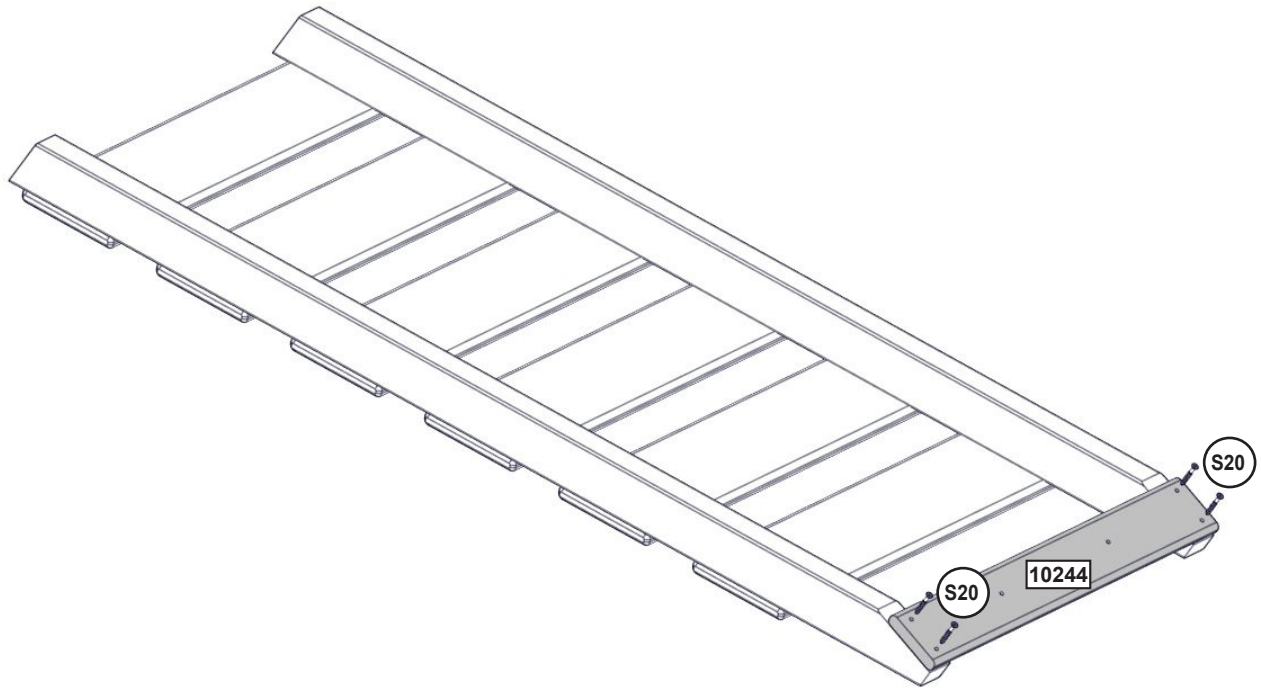
**Hardware**

- 24 x S7 #12 x 50.8mm (#12 x 2")

europecustomerservice@kidkraft.com  
 +31 20 305 8620  
 M-F from 09:00 to 17:30 (GMT+1)

parts.kidkraft.eu



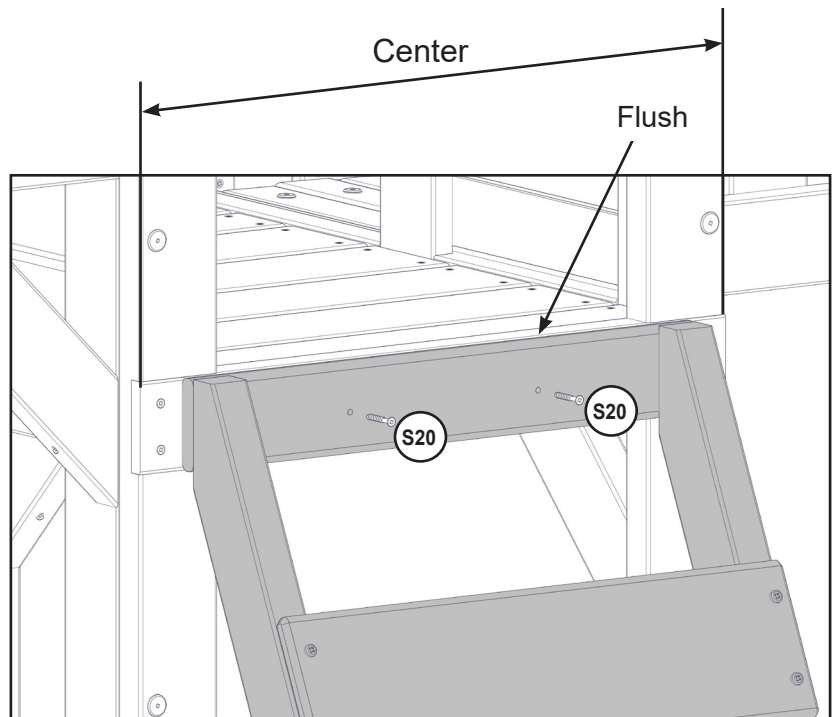
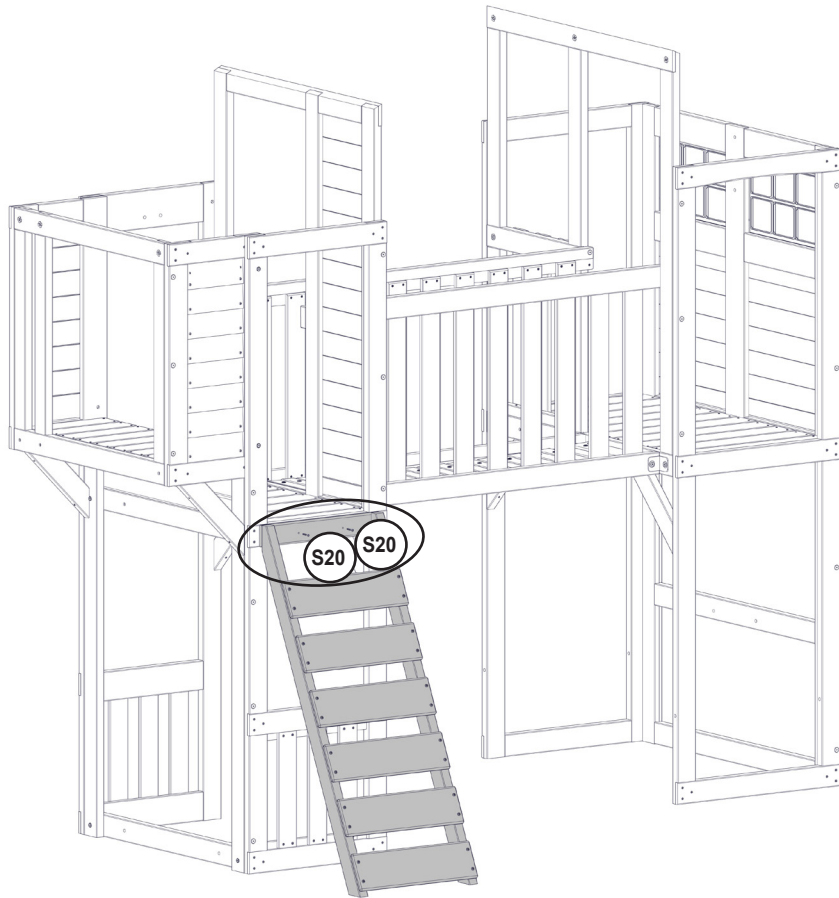


**Wood Parts**

1 x **10244** 15.9 x 76.2 x 493 mm (5/8" x 3" x 19 7/16")

**Hardware**

4 x **S20** #8 x 35mm (#8 x 1-3/8")



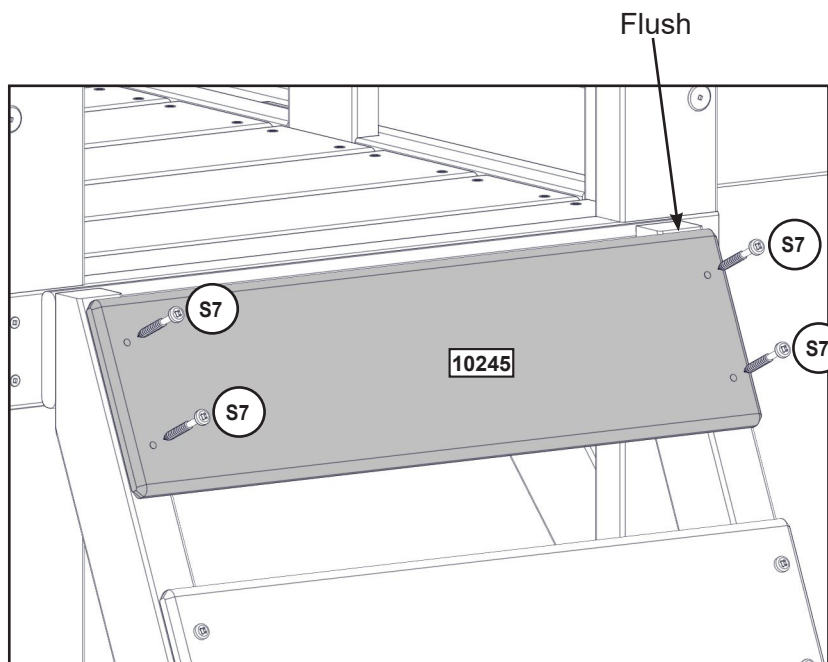
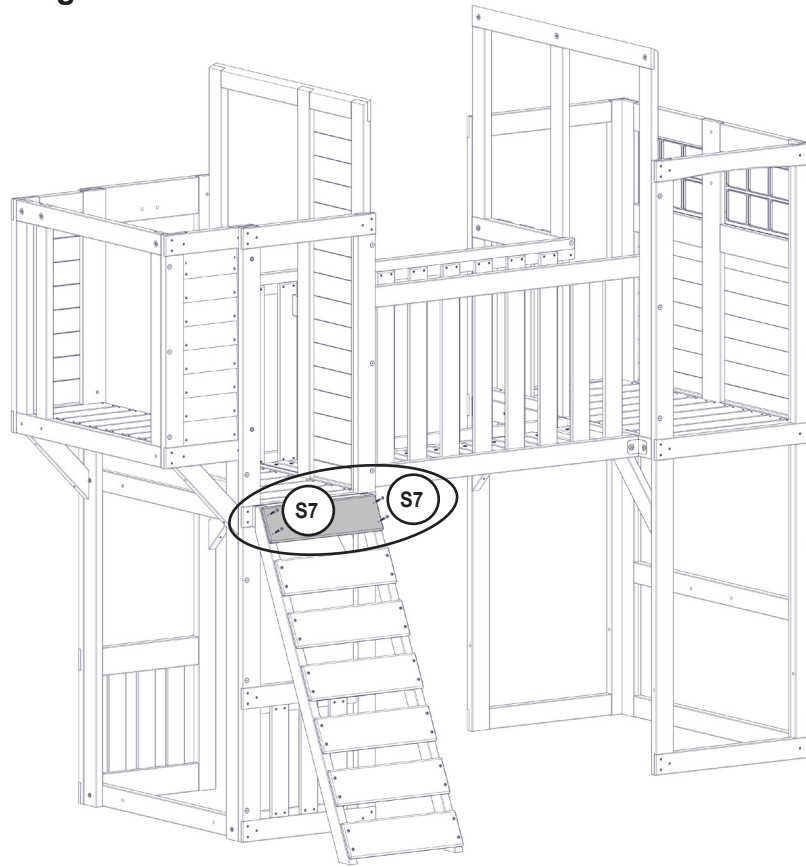
**Hardware**

2 x  #8 x 35mm (#8 x 1-3/8")




43

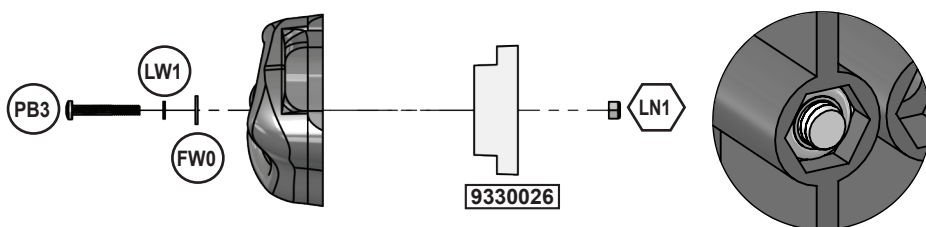
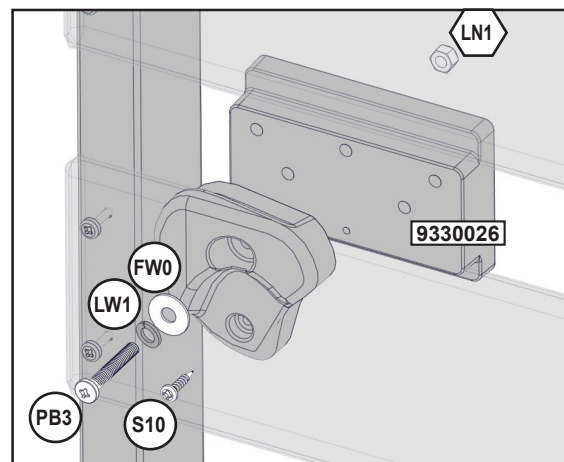
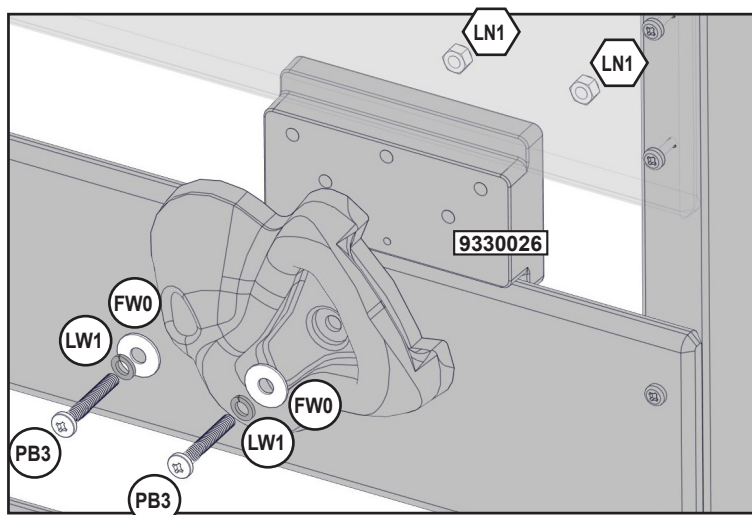
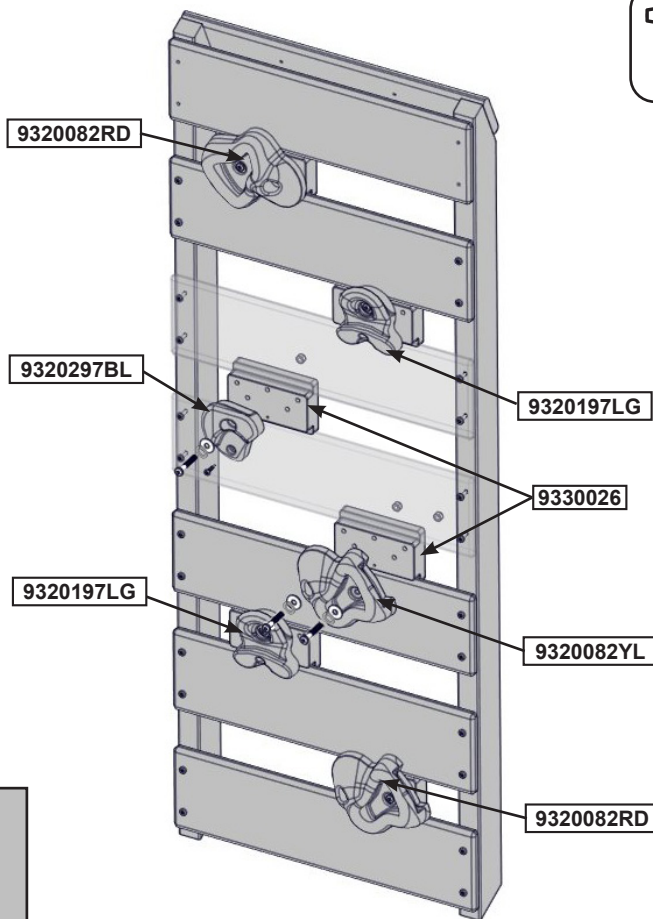
Pre-drill holes using  
a 1/8" drill bit.



**Hardware**

4 x  #12 x 50.8mm (#12 x 2")





**Hardware**

- 9 x (PB3) 6.4mm x 44.5 mm (1/4 x 1-3/4") (LW1, FW0, LN1)
- 3 x (S10) #8 x 25.4 mm (#8 x 1")

**Other Parts**

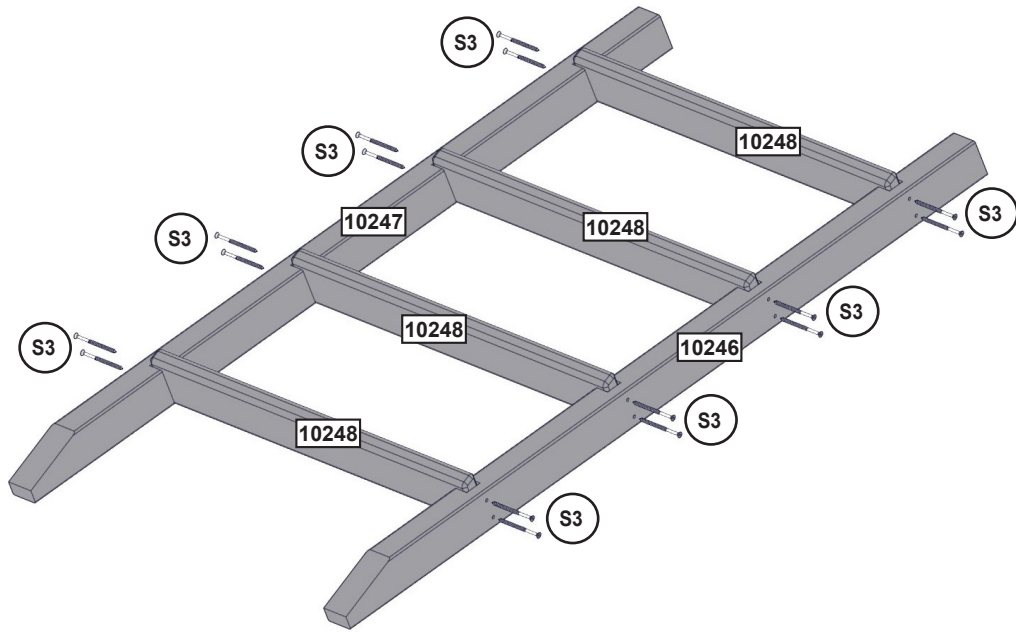
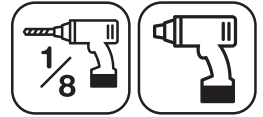
- 2 x (9320197LG)
- 2 x (9320082RD)
- 6 x (9330026)
- 1 x (9320297BL)
- 1 x (9320082YL)

europecustomerservice@kidkraft.com  
 +31 20 305 8620  
 M-F from 09:00 to 17:30 (GMT+1)

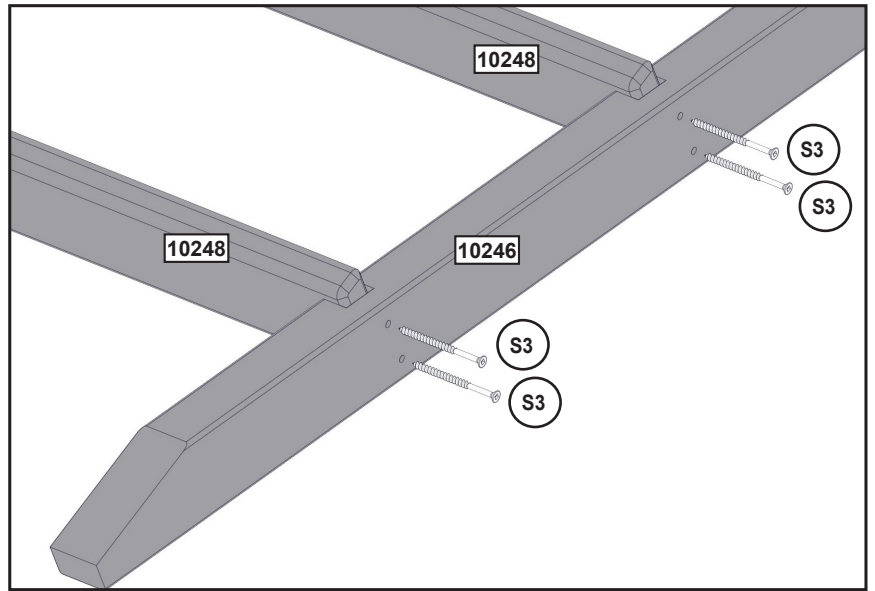
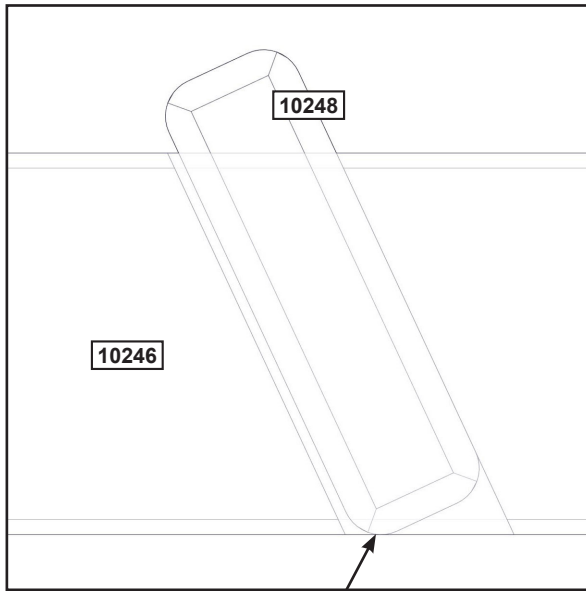
parts.kidkraft.eu



Pre-drill holes using a 1/8" drill bit.



End View



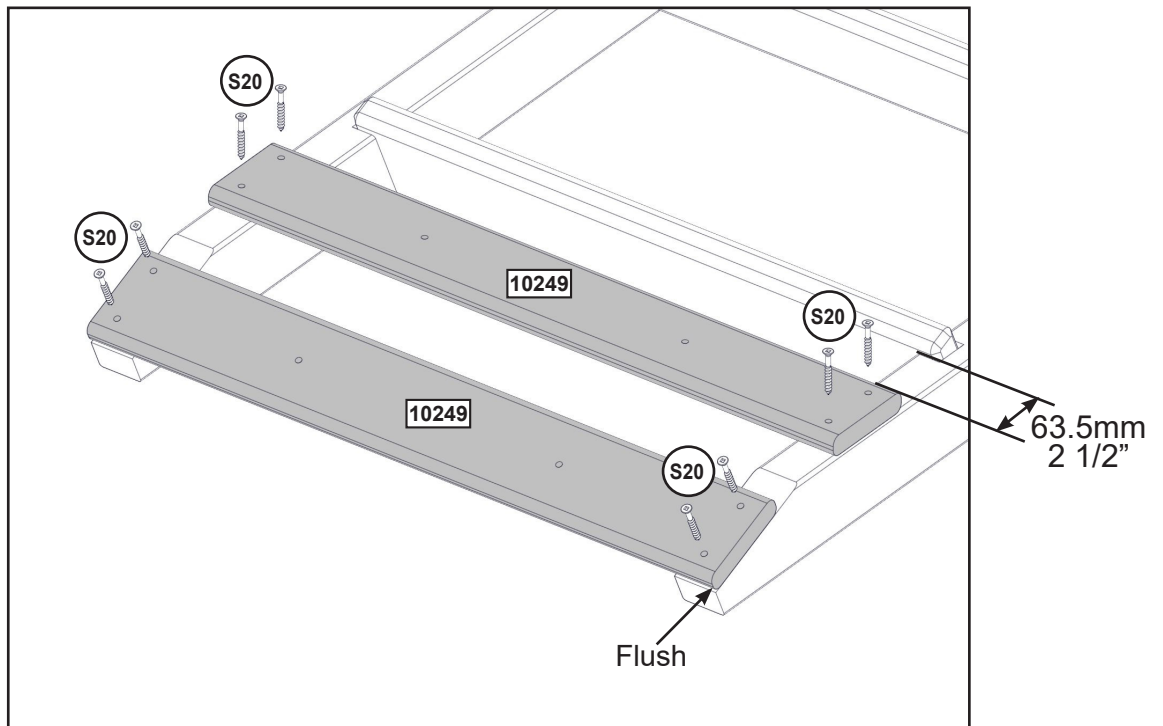
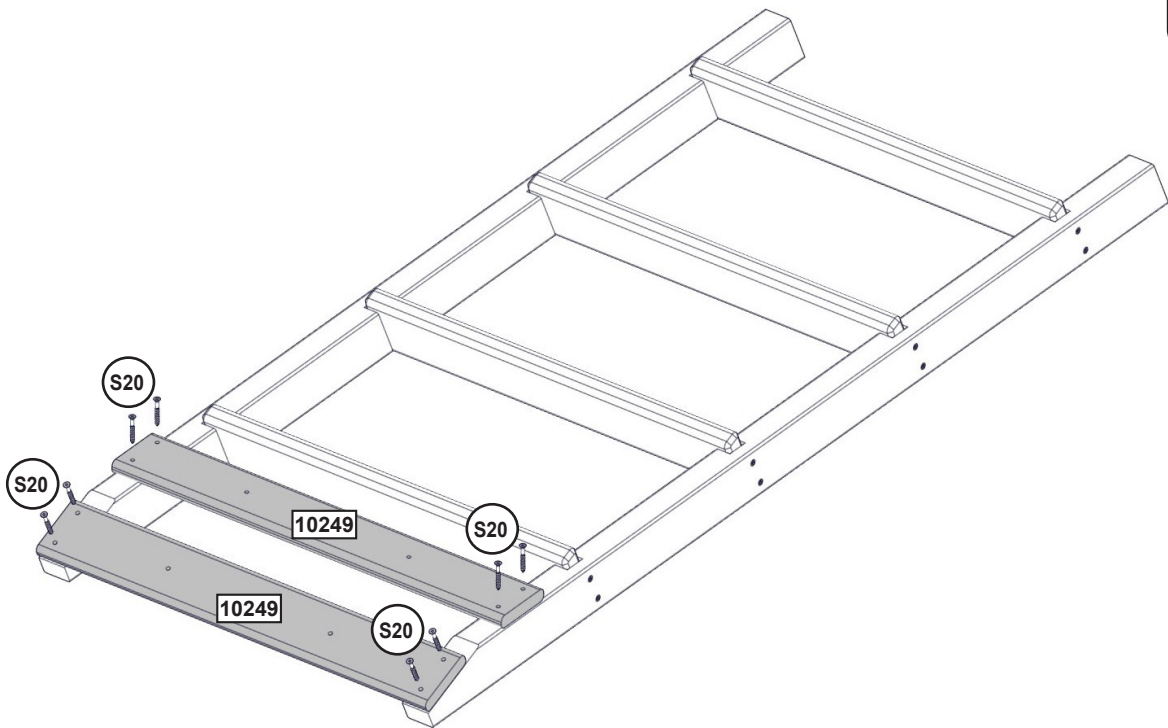
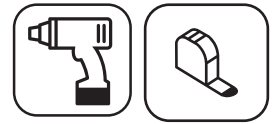
Flush to edges

Wood Parts

- 1 x 10246 34.9 x 63.5 x 1330.9 mm (1 3/8" x 2 1/2" x 52 3/8")
- 1 x 10247 34.9 x 63.5 x 1330.9 mm (1 3/8" x 2 1/2" x 52 3/8")
- 4 x 10248 23.8 x 82.6 x 489.4 mm (15/16" x 3 1/4" x 19 1/4")

Hardware

- 16 x S3 #8 x 64mm (#8 x 2-1/2")



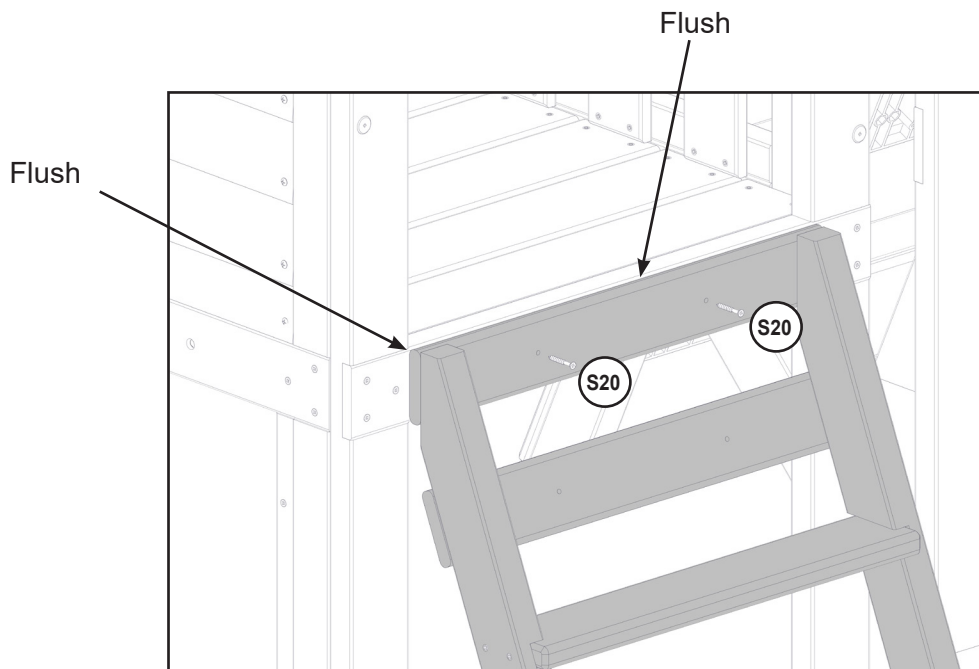
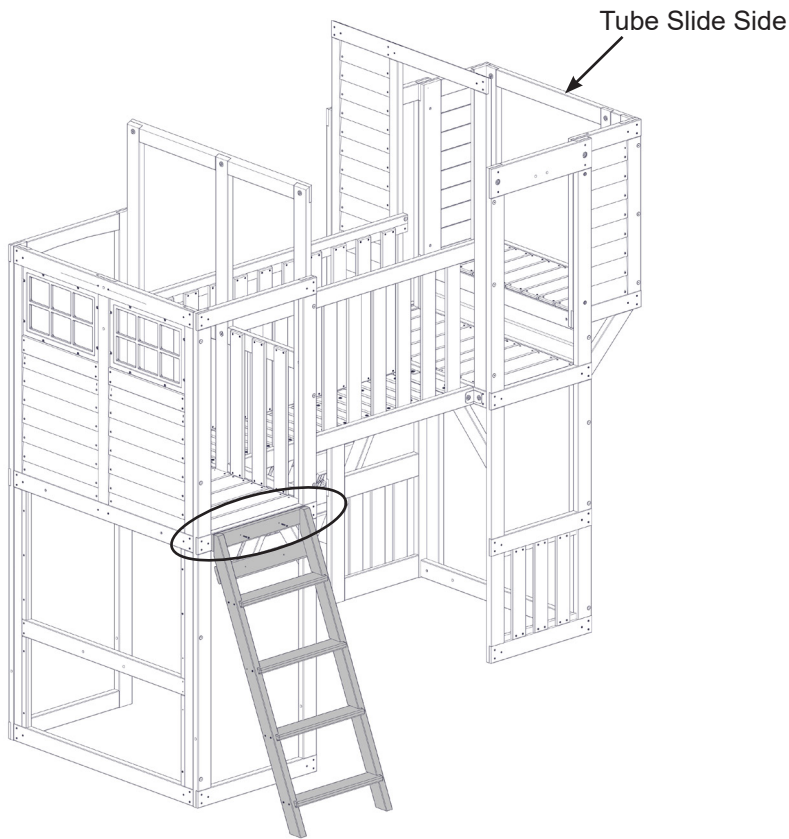
**Wood Parts**

2 x **10249** 15.9 x 76.2 x 528.2 mm (5/8" x 3" x 20 13/16")

**Hardware**

8 x **S20** #8 x 35mm (#8 x 1-3/8")

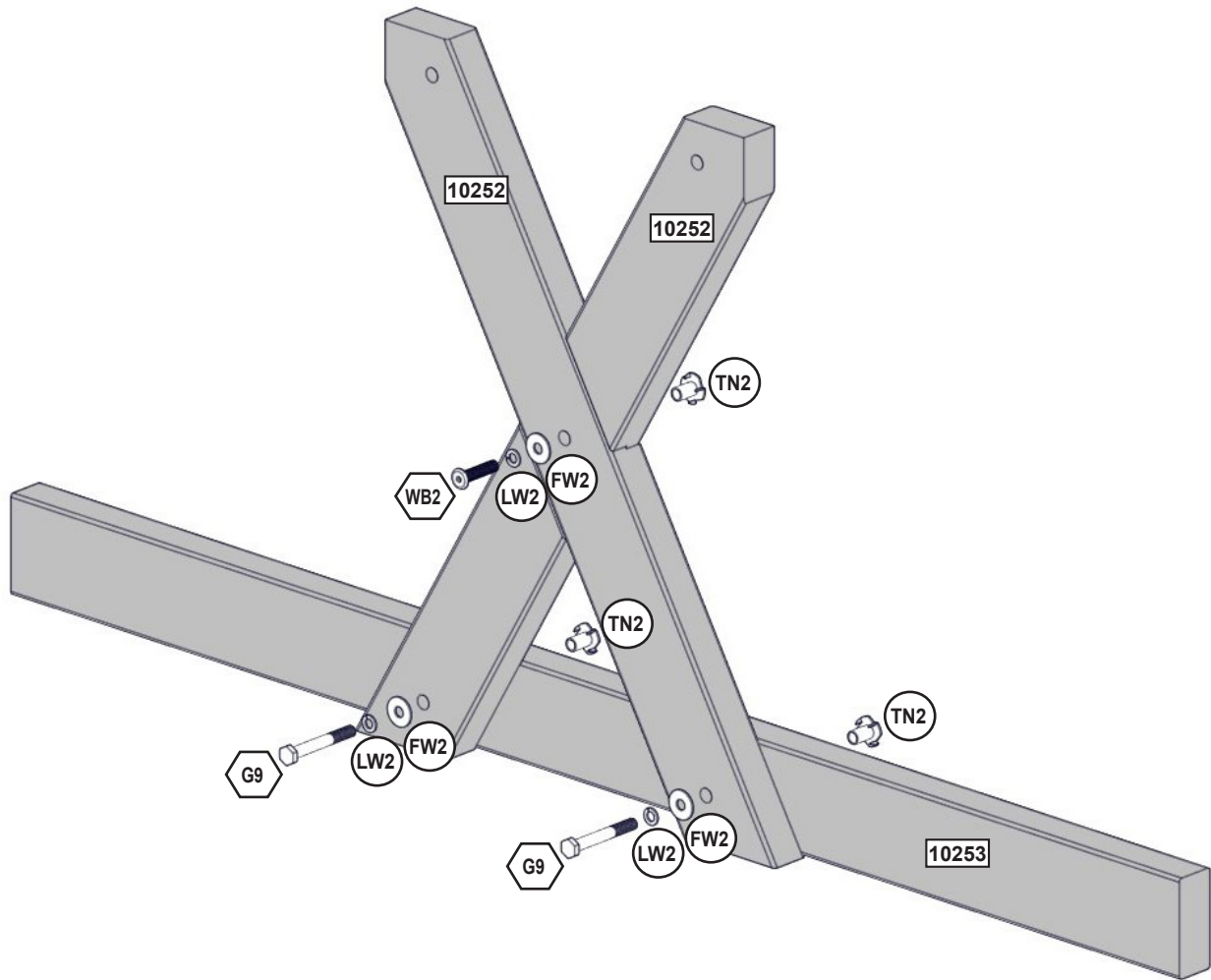




**Hardware**

2 x  #8 x 35mm (#8 x 1-3/8")

Assemble T-Nuts first with hammer!



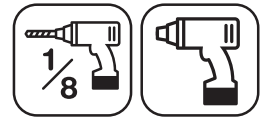
**Wood Parts**

- 2 x 31.8 x 76.2 x 656.8mm (1 1/4" x 3" x 25 7/8")
- 1 x 31.8 x 76.2 x 1117.6 mm (1 1/4" x 3" x 44")

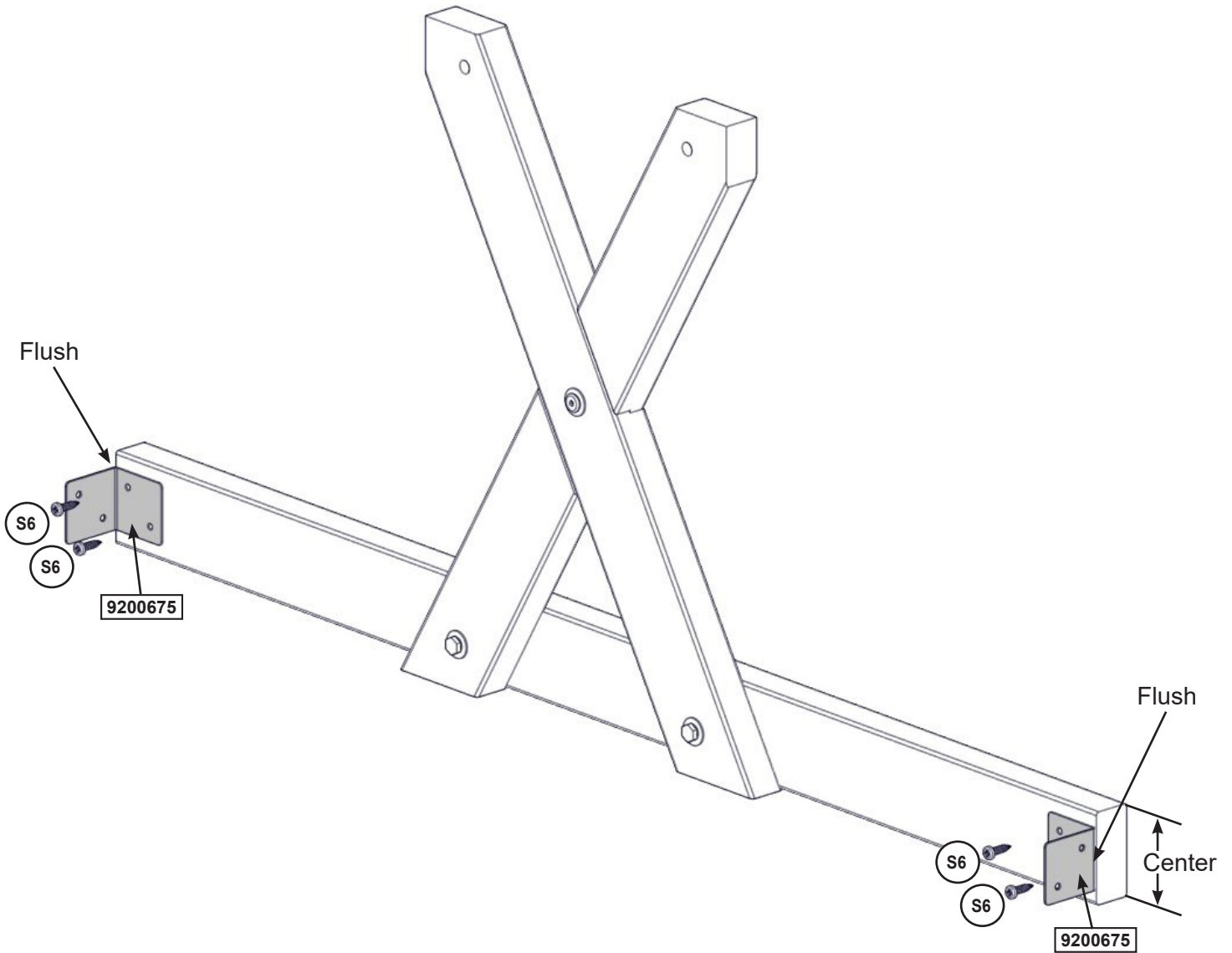
**Hardware**

- 2 x 7.9mm x 63.5mm (5/16" x 2-1/2") (FW2, LW2, TN2)
- 1 x 7.9mm x 34.9 mm (5/16 x 1-3/8") (FW2, LW2, TN2)





Pre-drill holes using a 1/8" drill bit.



**Hardware**

4 x **S6** #12 x 25.4mm (#12 x 1")

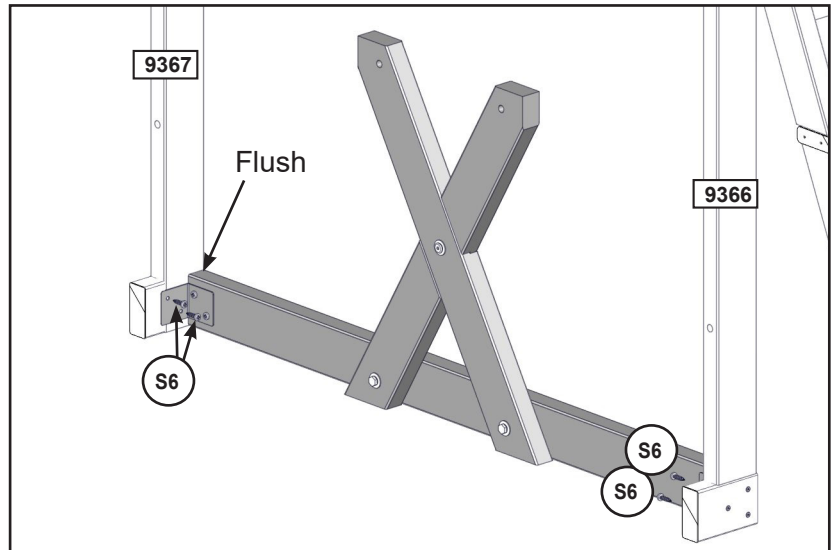
**Other Parts**

2 x **9200675**



Tube Slide Side

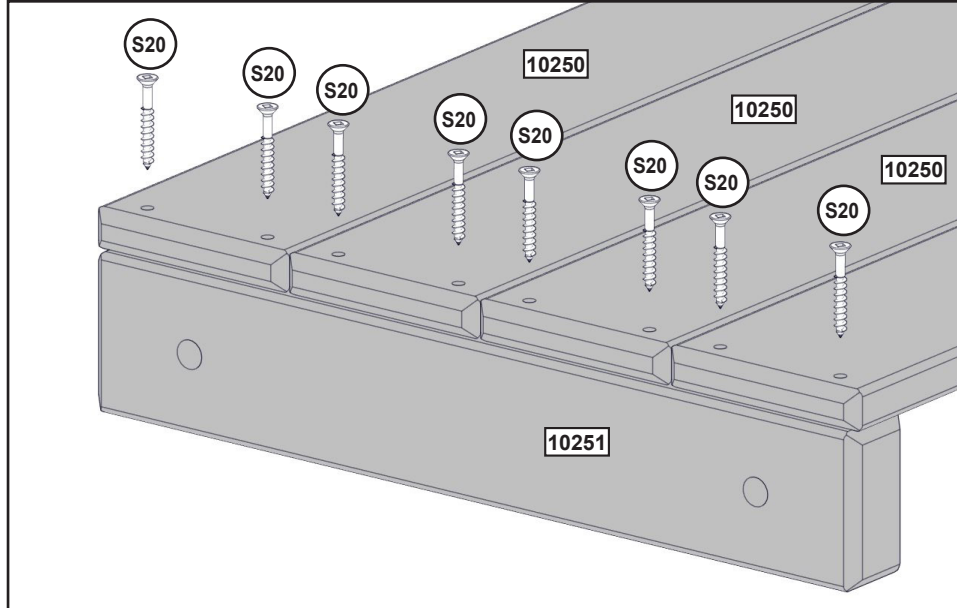
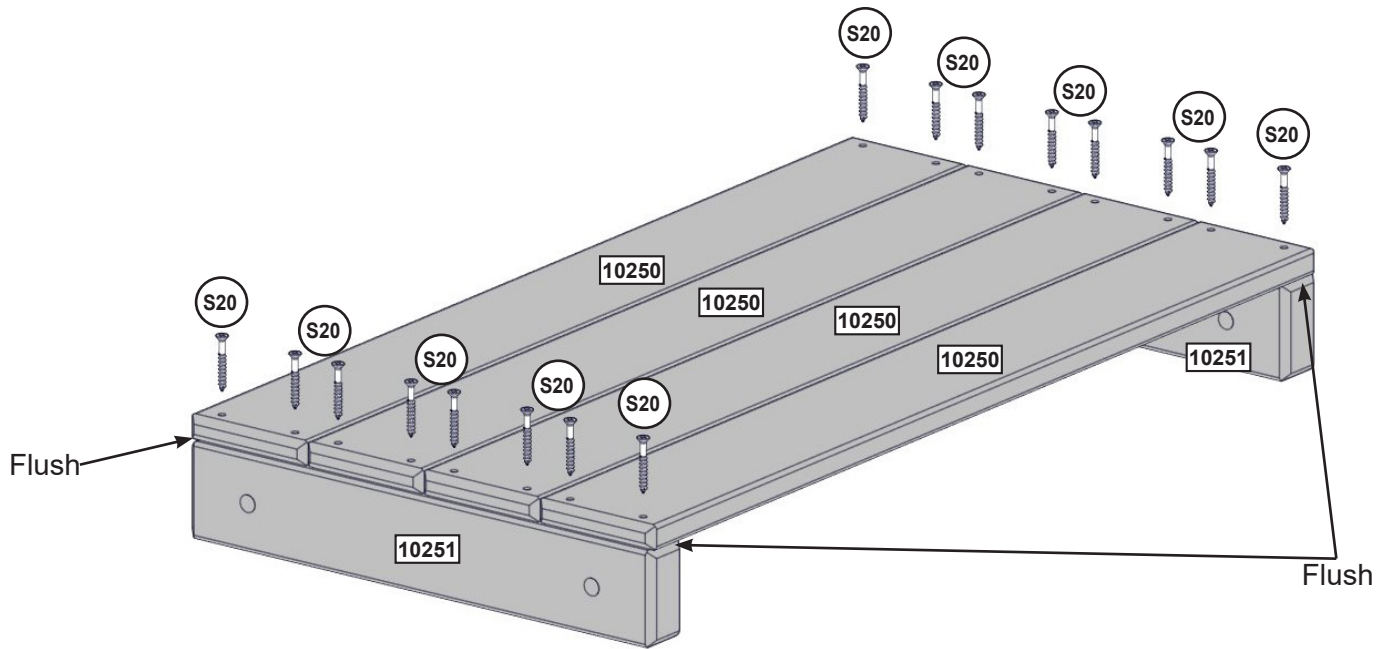
**Note: Structure partly removed for clarity.**



**Hardware**

4 x  #12 x 25.4mm (#12 x 1")





**Wood Parts**

- 4 x 10250 15.9 x 85.7 x 648.8 mm (5/8" x 3 3/8" x 25 9/16")
- 2 x 10251 31.8 x 60.3 x 342.8 mm (1 1/4" x 2 3/8" x 13 1/2")

**Hardware**

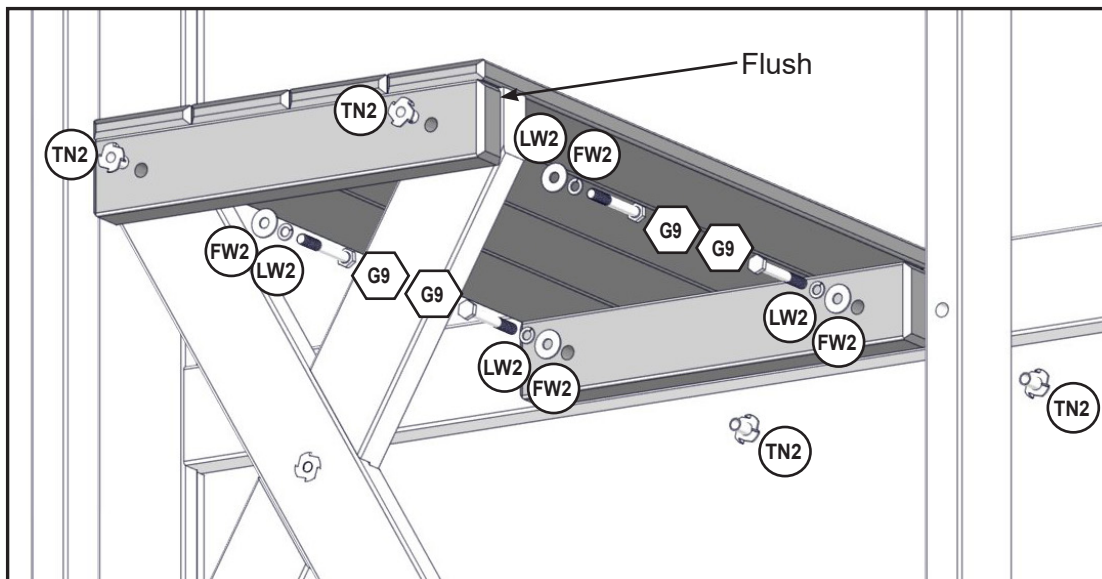
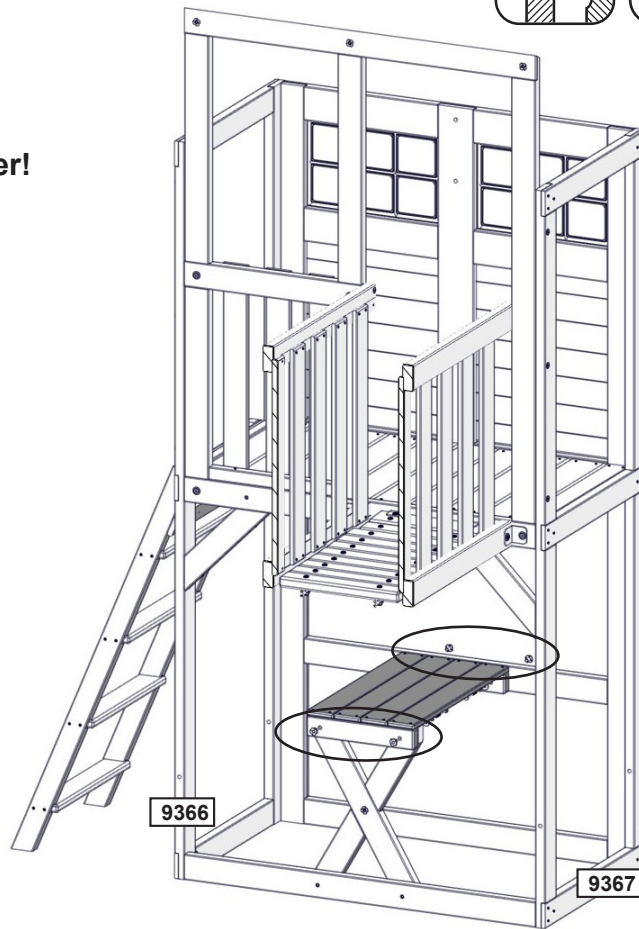
- 16 x S20 #8 x 35mm (#8 x 1-3/8")





**Assemble T-Nuts first with hammer!**

**Note: Structure partly removed for clarity.**



**Hardware**

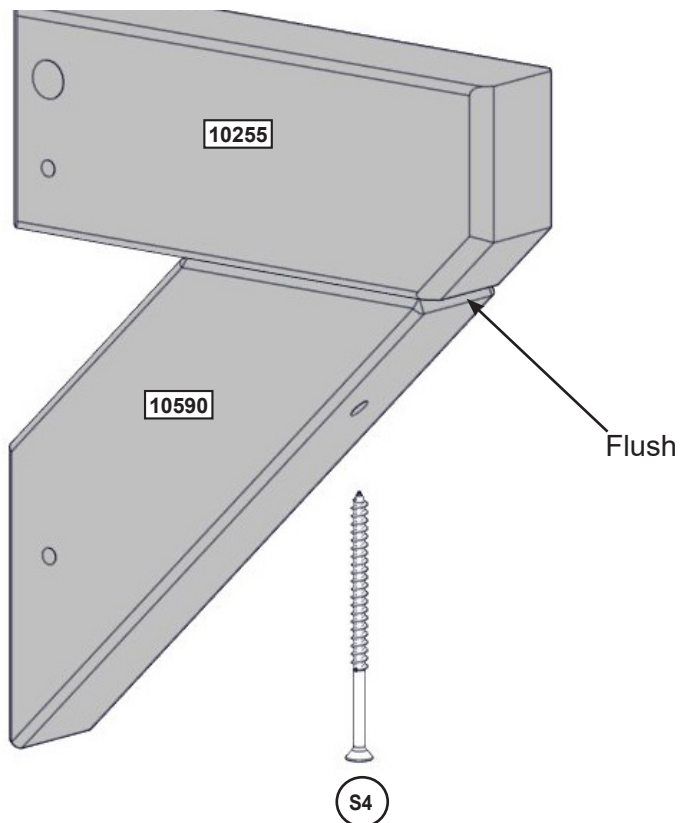
4 x  7.9mm x 63.5mm (5/16" x 2-1/2") ( FW2, LW2, TN2 )



53



Complete this step  
four times



**Wood Parts**

4 x **10590** 34.9 x 63.5 x 215 mm (1 3/8" X 2 1/2" X 8 1/8")

4 x **10255** 34.9 x 63.5 x 171.4 mm (1 3/8" X 2 1/2" X 6 3/4")

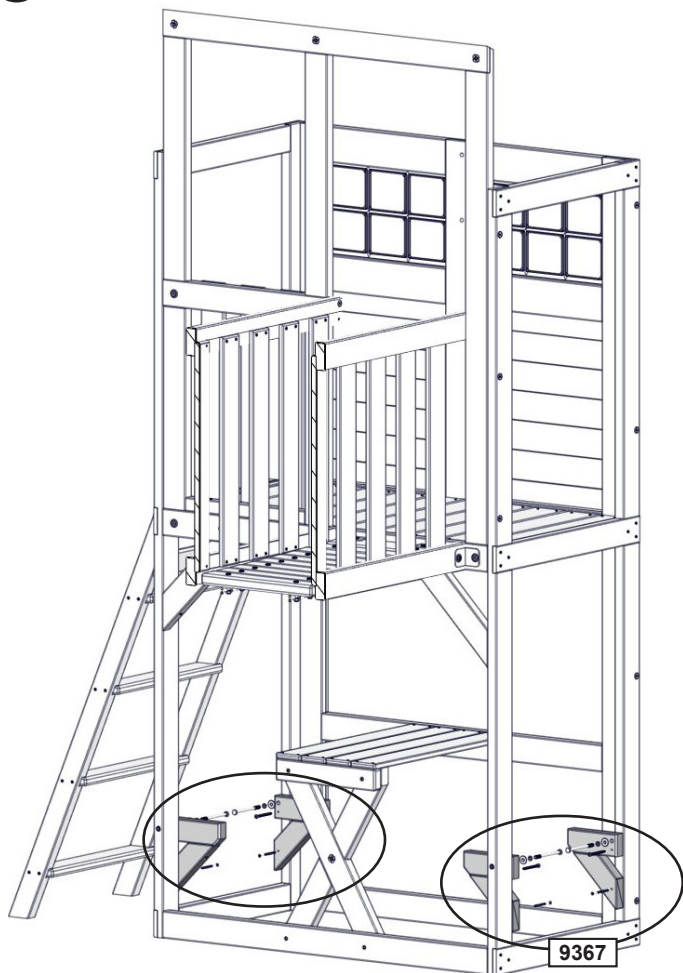
**Hardware**

4 x **S4** #8 x 76.2mm (#8 x 3")



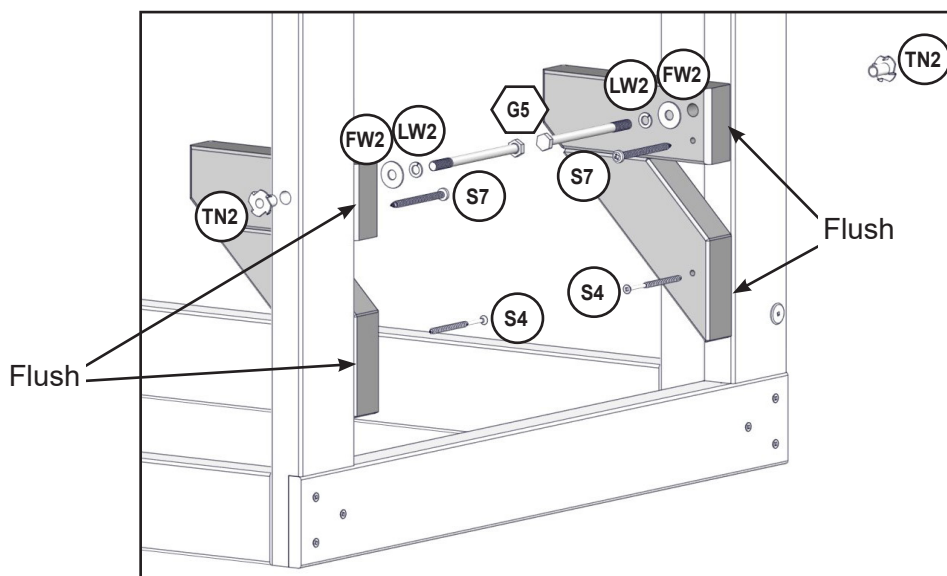
parts.kidkraft.com

customerservice@kidkraft.com  
1.800.933.0771  
972.385.0100



**Assemble T-Nuts first with hammer!**

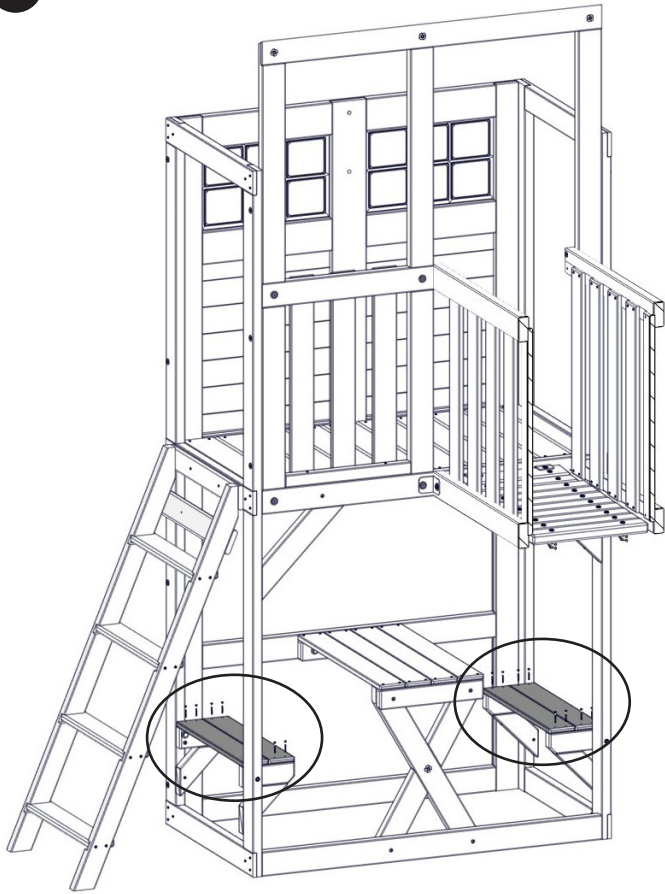
**Note: Structure partly removed for clarity.**



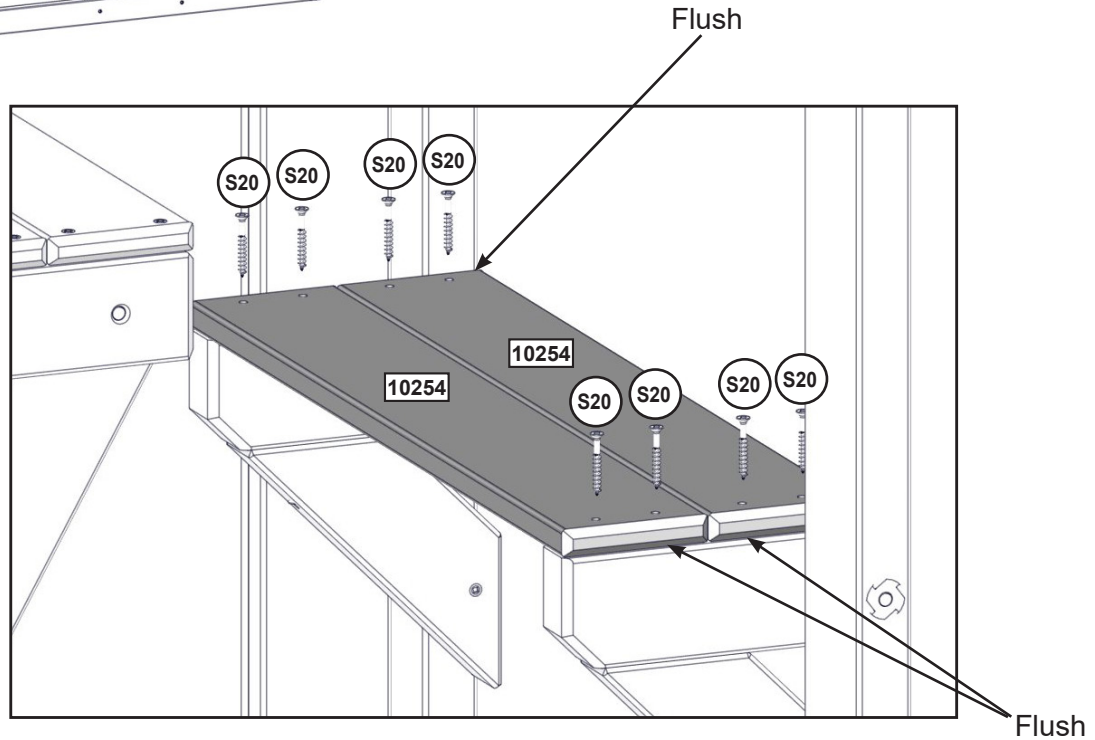
**Hardware**

- 4 x **G5** 7.9mm x 114.3mm (5/16 x 4-1/2") (LW2, FW2, TN2)
- 4 x **S4** #8 x 76.2mm (#8 x 3")
- 4 x **S7** #12 x 50.8mm (#12 x 2")





**Note: Structure partly removed for clarity.**

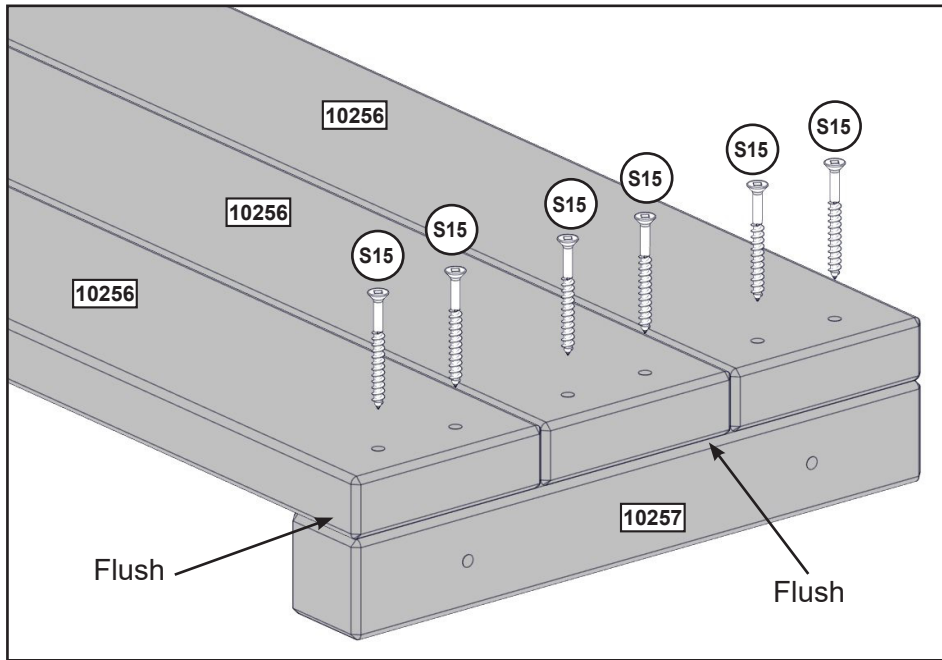
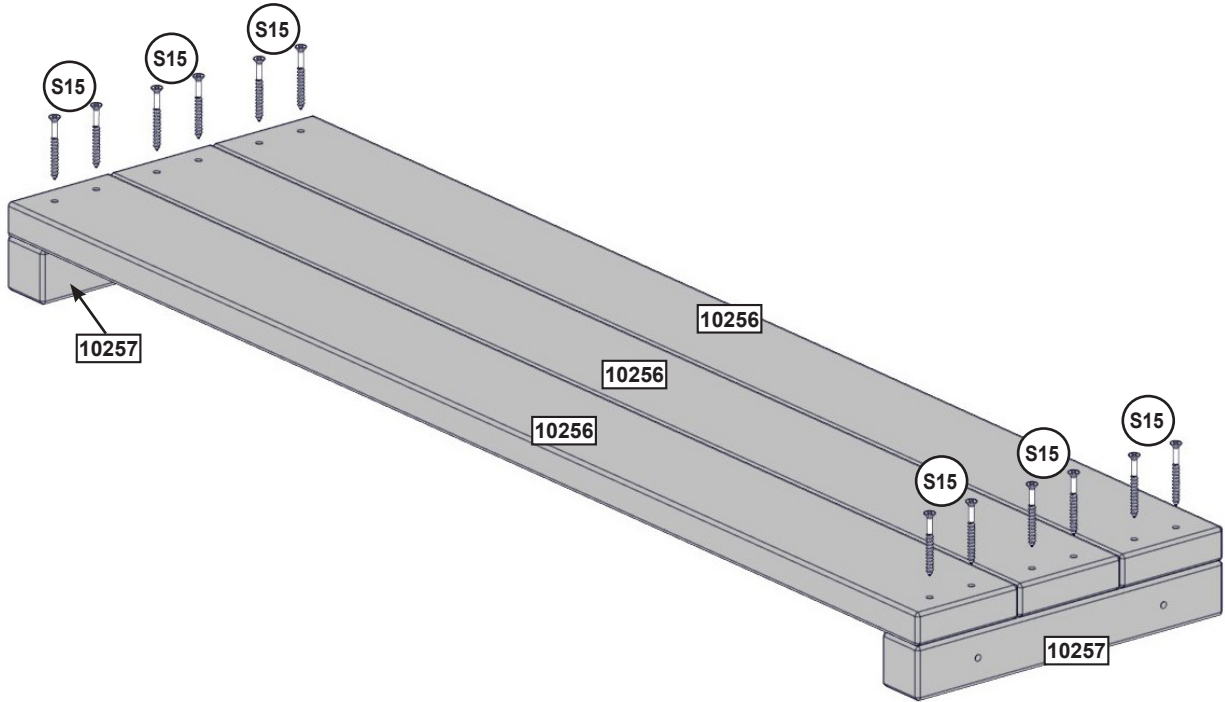


**Wood Parts**

4 x 10254 15.9 x 85.7 x 526 mm (5/8" x 3 3/8" x 20 11/16)

**Hardware**

16 x S20 #8 x 35mm (#8 x 1-3/8")



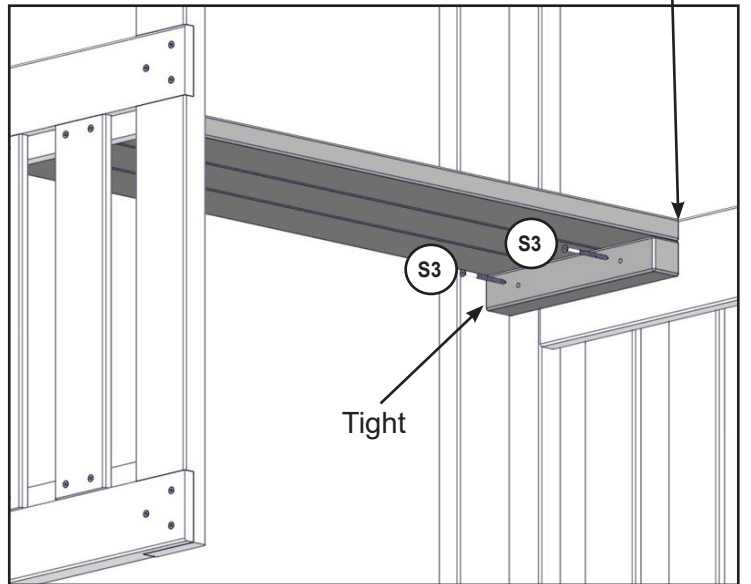
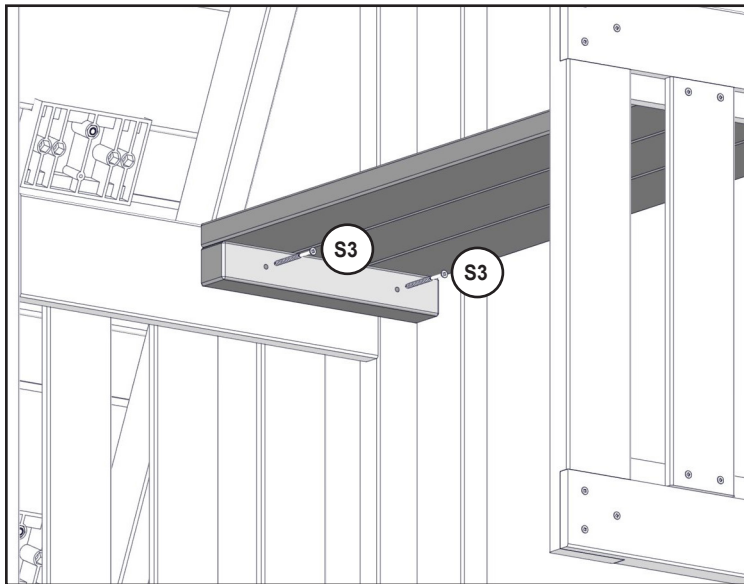
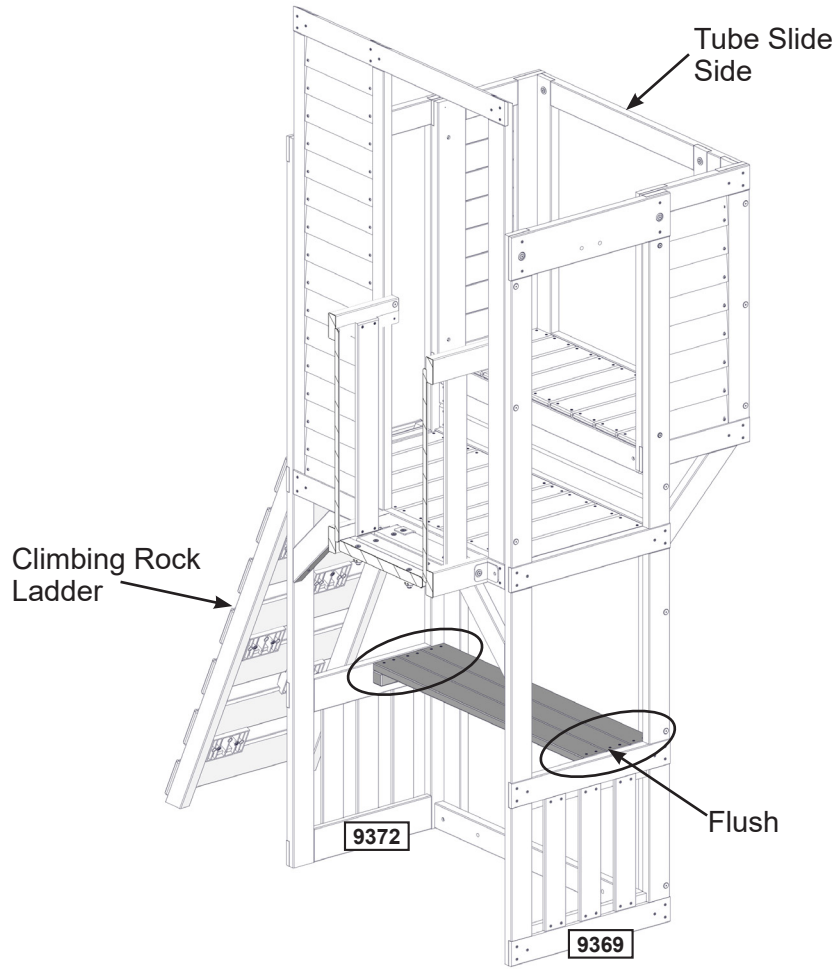
**Wood Parts**

- 3 x 10256 23.8 x 85.7 x 963.2 mm (15/16" x 3 3/8" x 37 15/16")
- 2 x 10257 38.1 x 38.1 x 257.1 mm (1 1/2" x 1 1/2" x 10 1/8")

**Hardware**

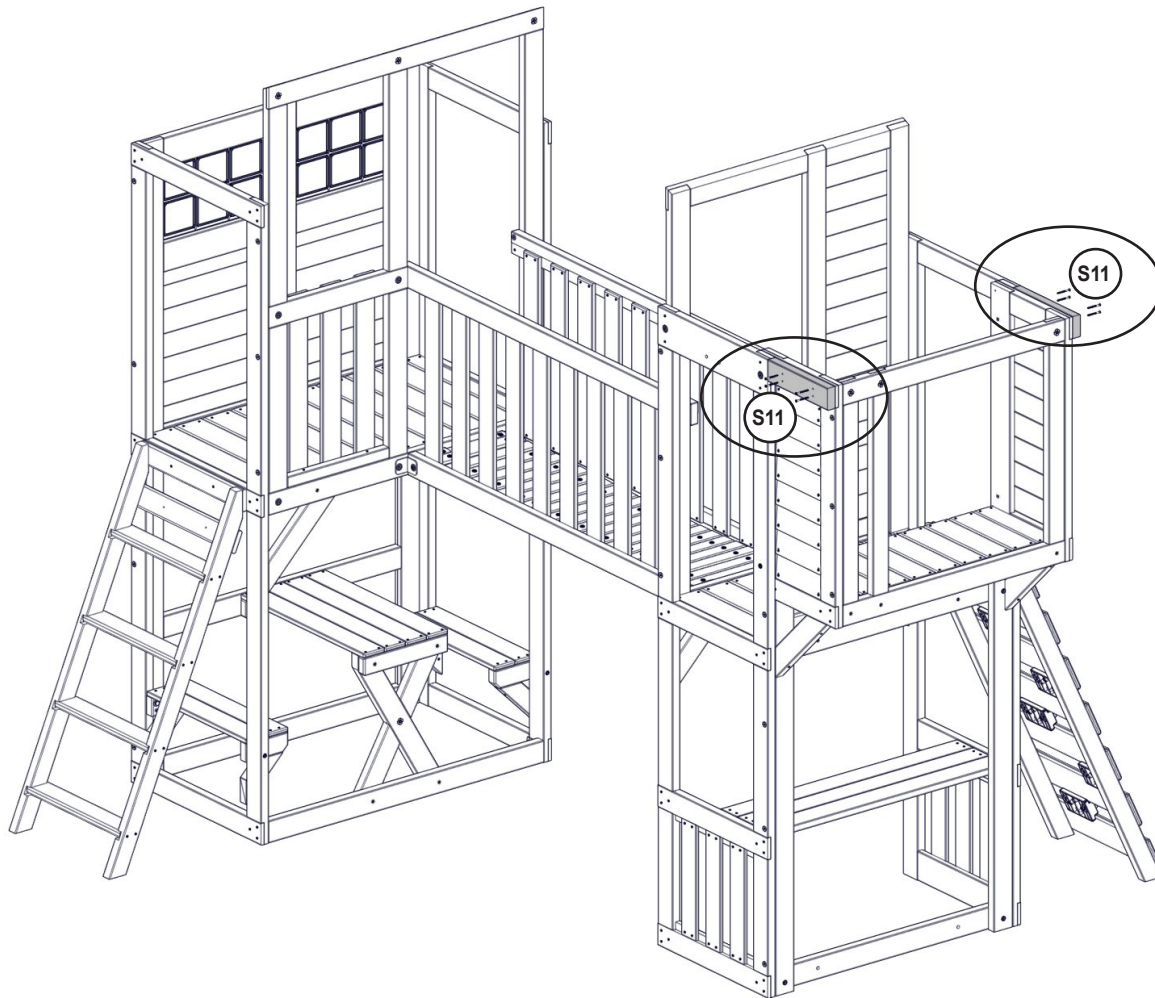
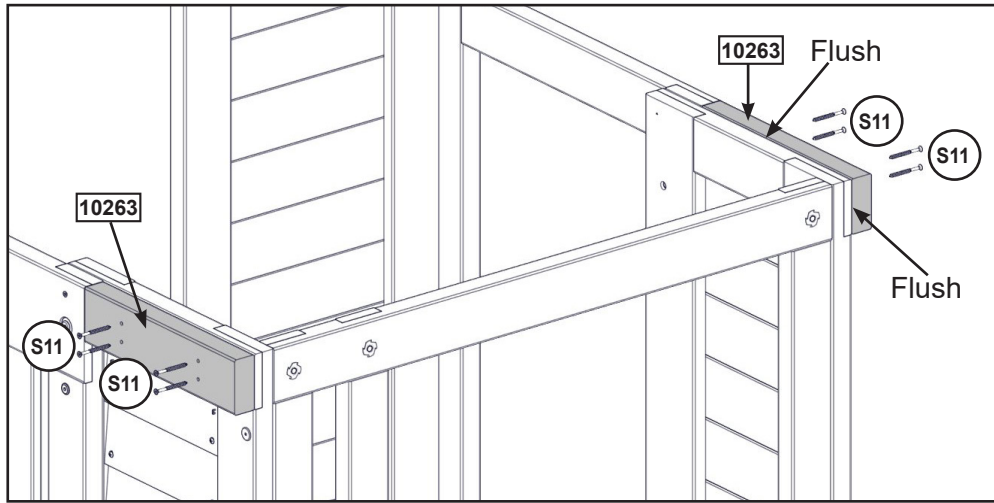
- 12 x S15 #8 x 44.5mm (#8 x 1-3/4")





**Hardware**

4 x **S3** #8 x 64mm (#8 x 2-1/2")



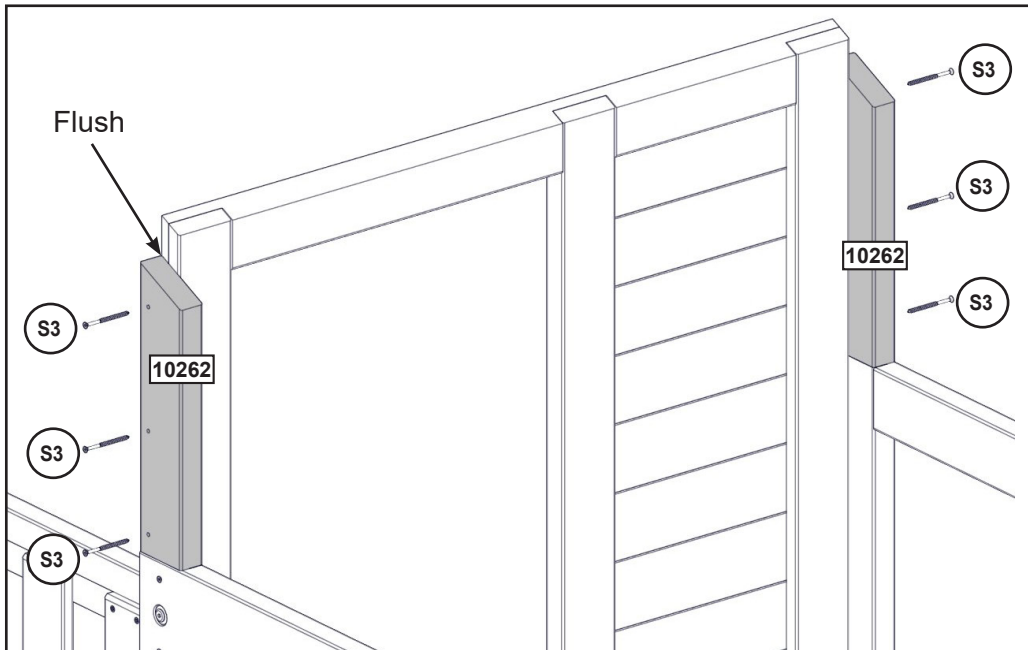
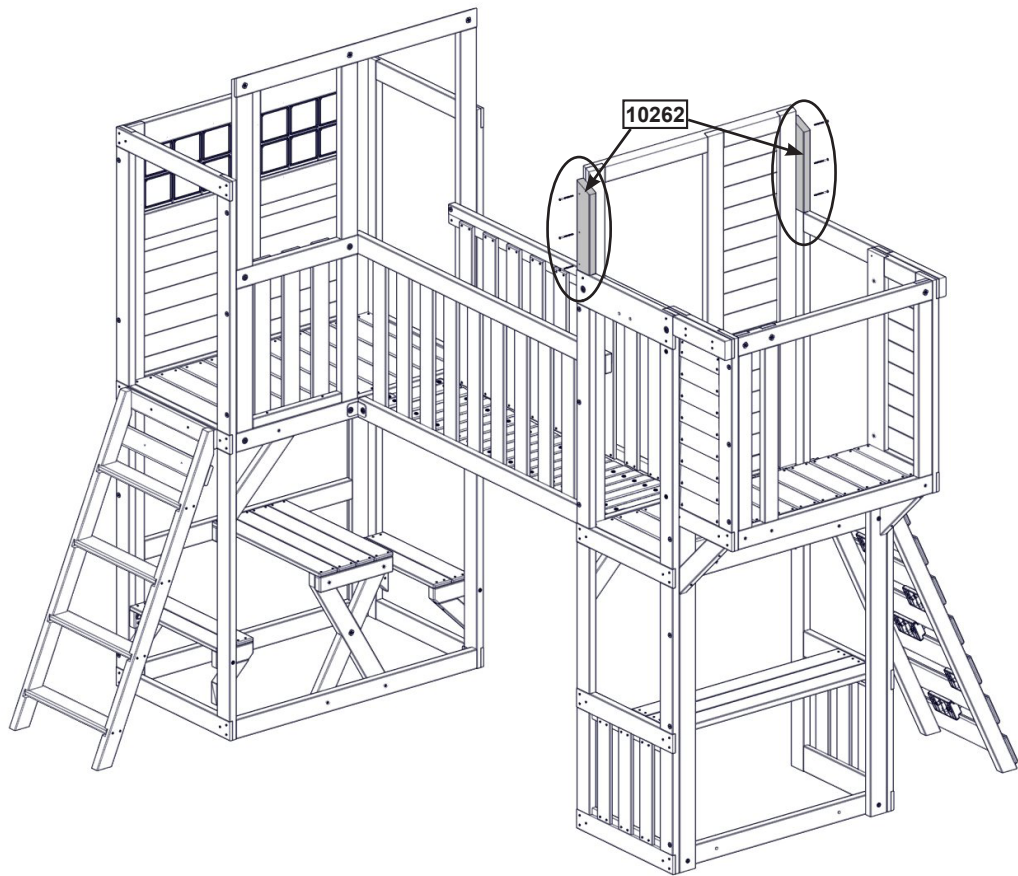
**Wood Parts**

2 x **10263** 31.8 x 76.2 x 312 mm (1 1/4" x 3" x 12 5/16")

**Hardware**

8 x **S11** #8 x 50.8mm (#8 x 2")





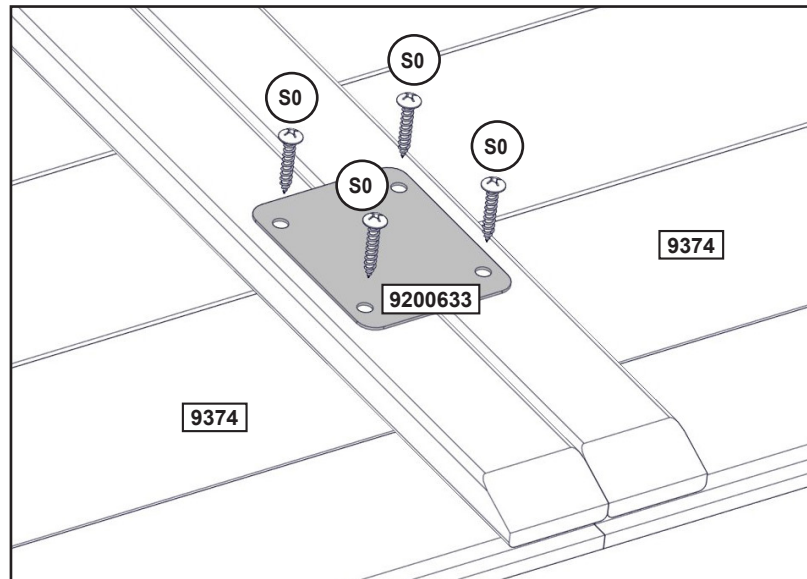
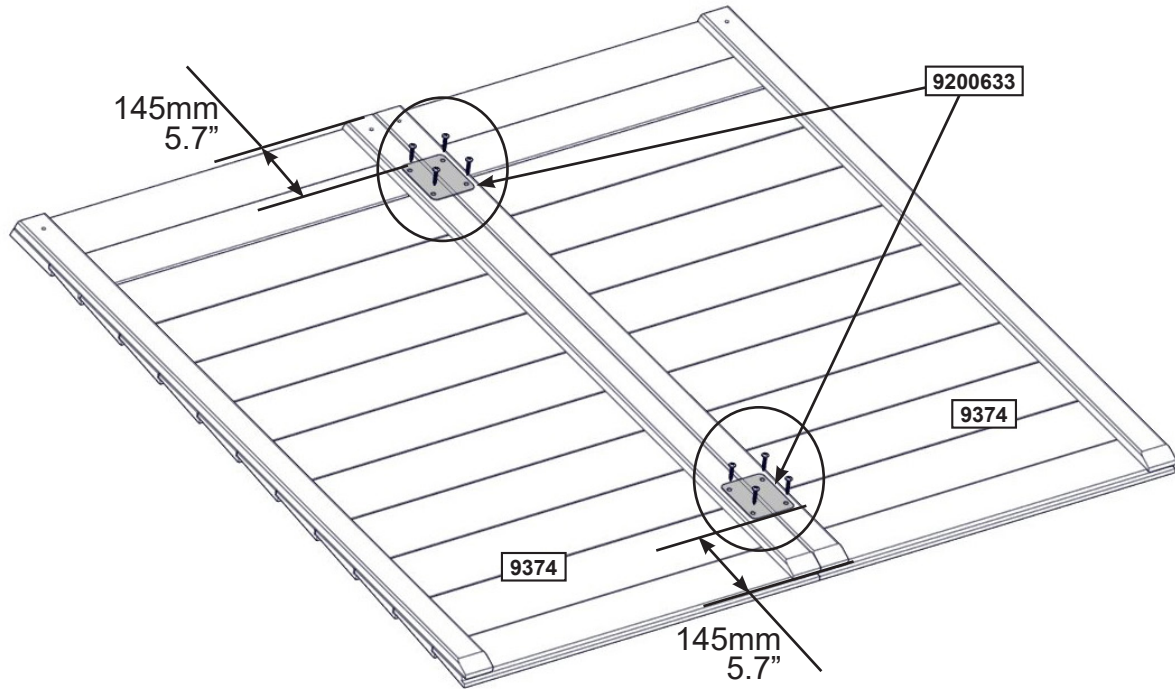
**Wood Parts**

2 x 10262 31.8 x 76.2 x 355 mm (1 1/4" x 3" x 14")

**Hardware**

6 x S3 #8 x 64mm (#8 x 2-1/2")





**Wood Parts**

2 x 9374 28.6 x 979.8 x 492.1mm (1 1/8" x 38 9/16" x 19 3/8")

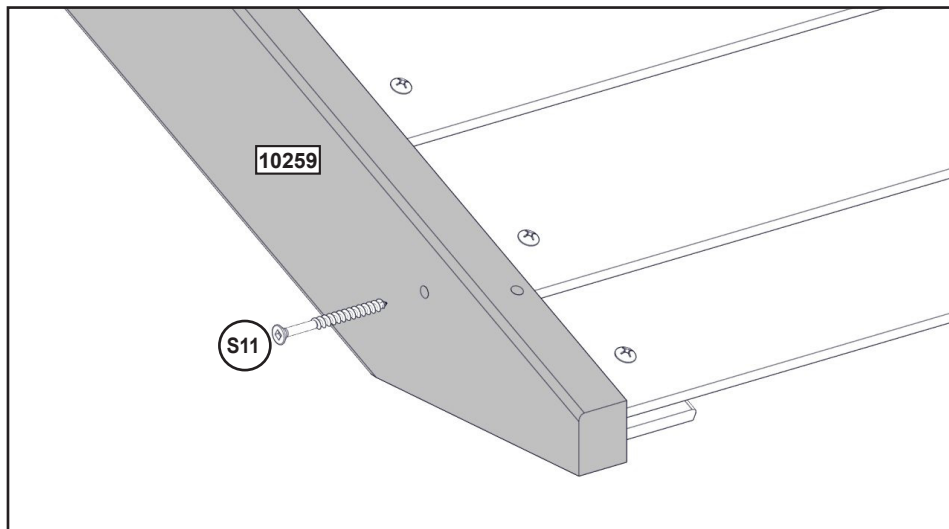
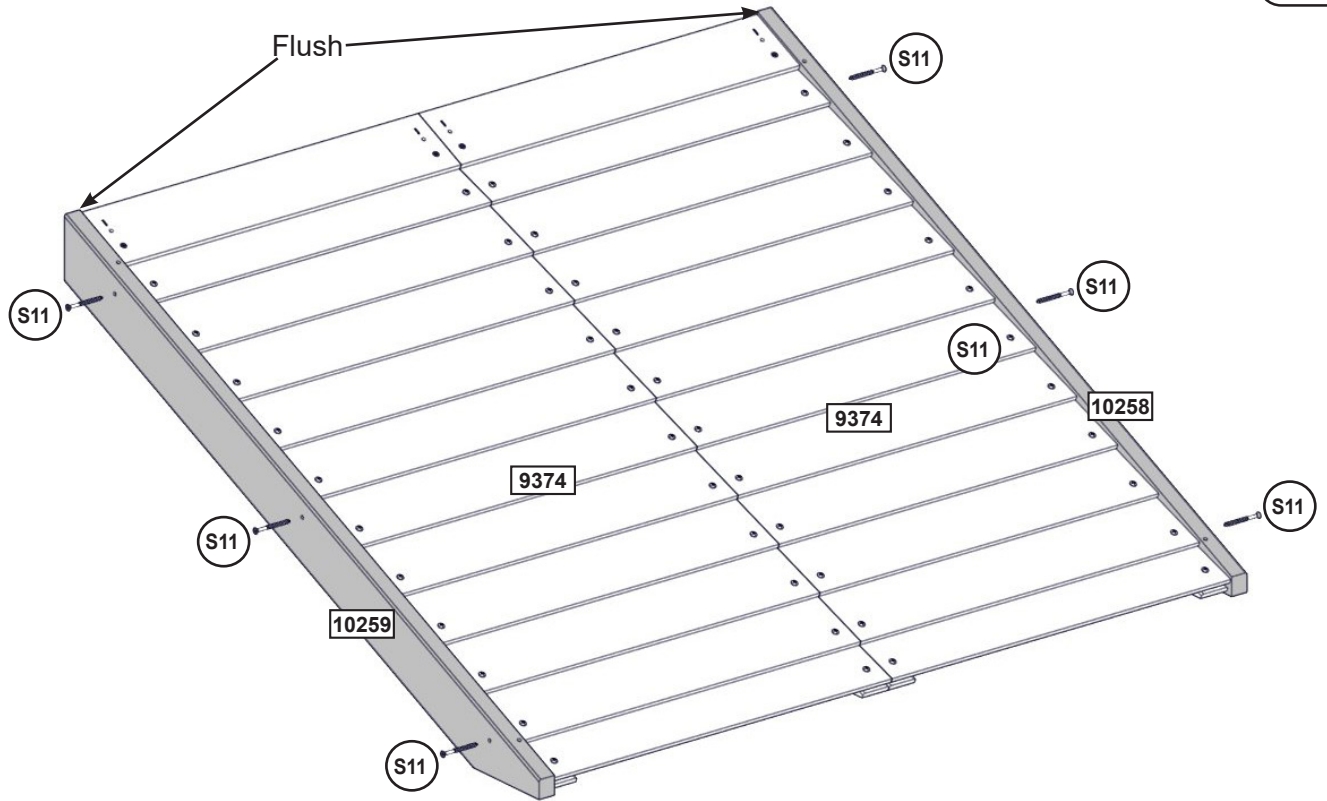
**Hardware**

8 x S0 #8 x 22.2mm (#8 x 7/8")

**Other Parts**

2 x 9200633



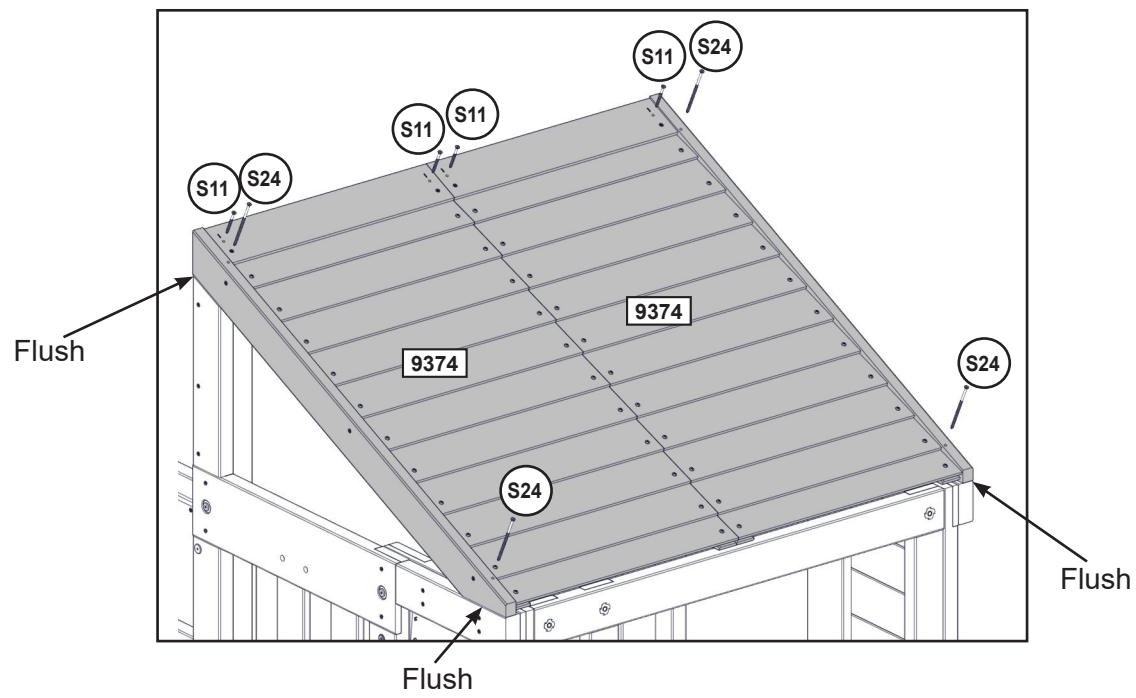
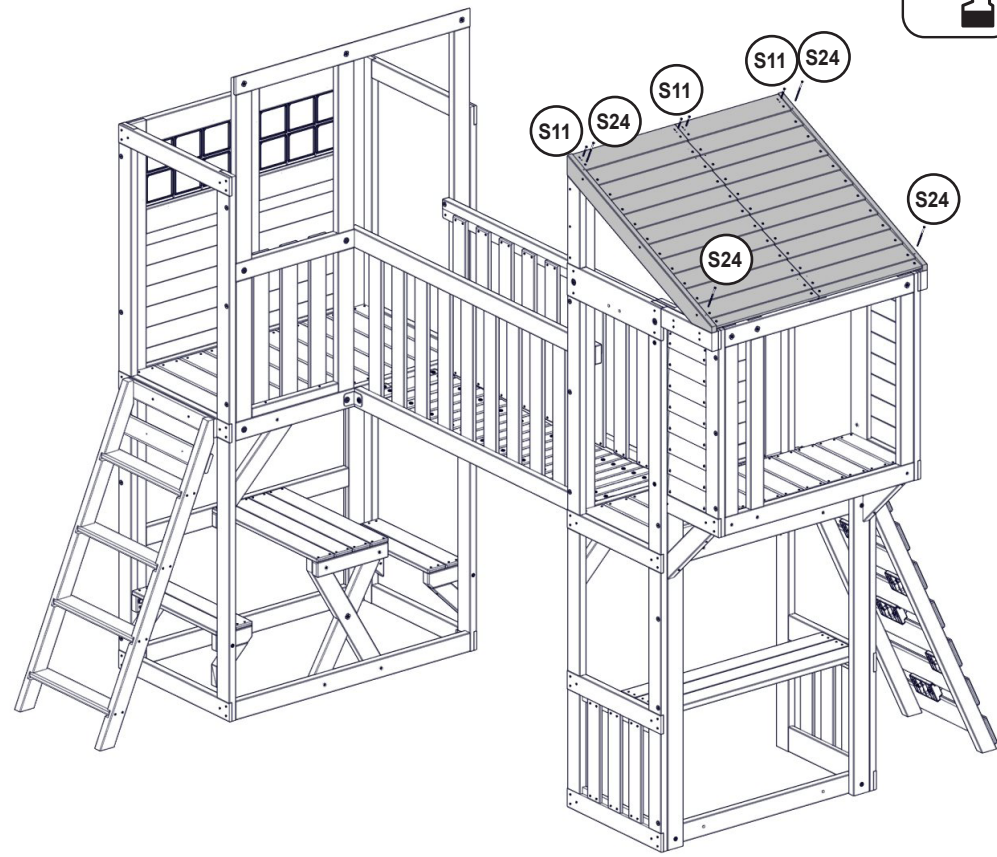


**Wood Parts**

- 1 x 10258 31.8 x 76.2 x 991.4 mm (1 1/4" x 3" x 39 1/16")
- 1 x 10259 31.8 x 76.2 x 991.4 mm (1 1/4" x 3" x 39 1/16")

**Hardware**

- 6 x S11 #8 x 50.8mm (#8 x 2")



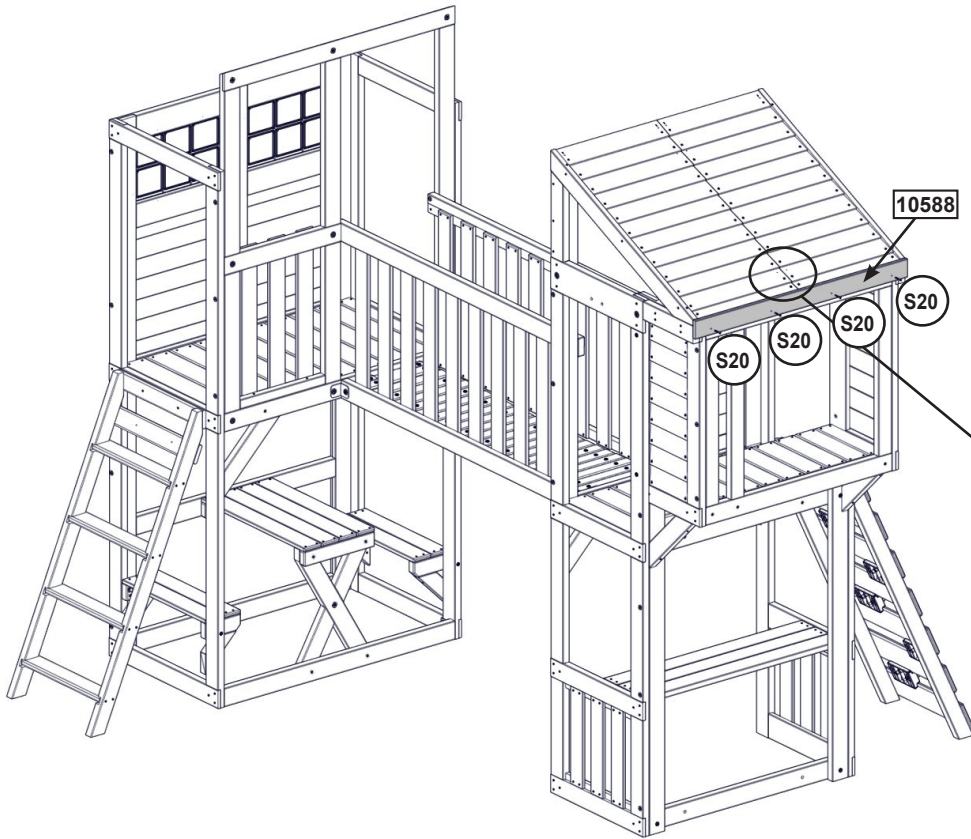
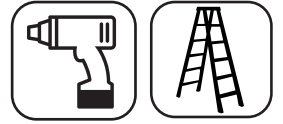
**Hardware**

- 4 x #10 x 101.6mm (#10 x 4")
- 4 x #8 x 50.8mm (#8 x 2")

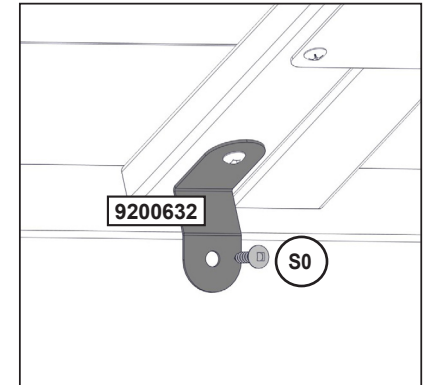
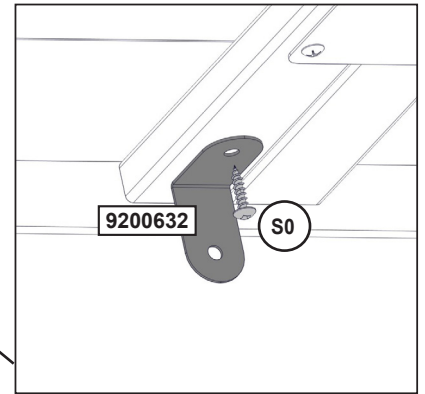
[europcustomerservice@kidkraft.com](mailto:europcustomerservice@kidkraft.com)  
 +31 20 305 8620  
 M-F from 09:00 to 17:30 (GMT+1)

[parts.kidkraft.eu](http://parts.kidkraft.eu)

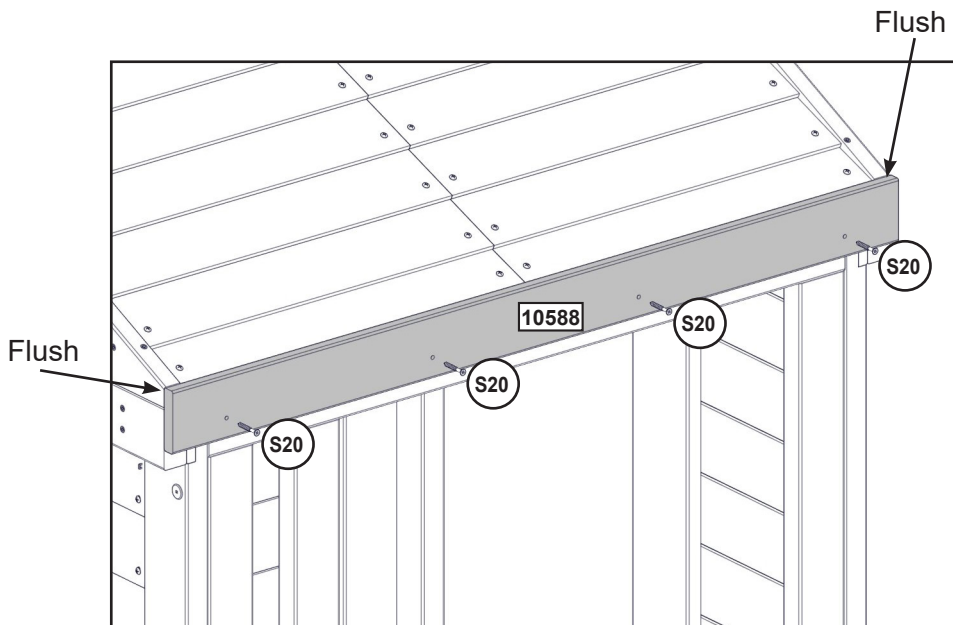




Inside View



Bend bracket to match roof angle.



**Wood Parts**

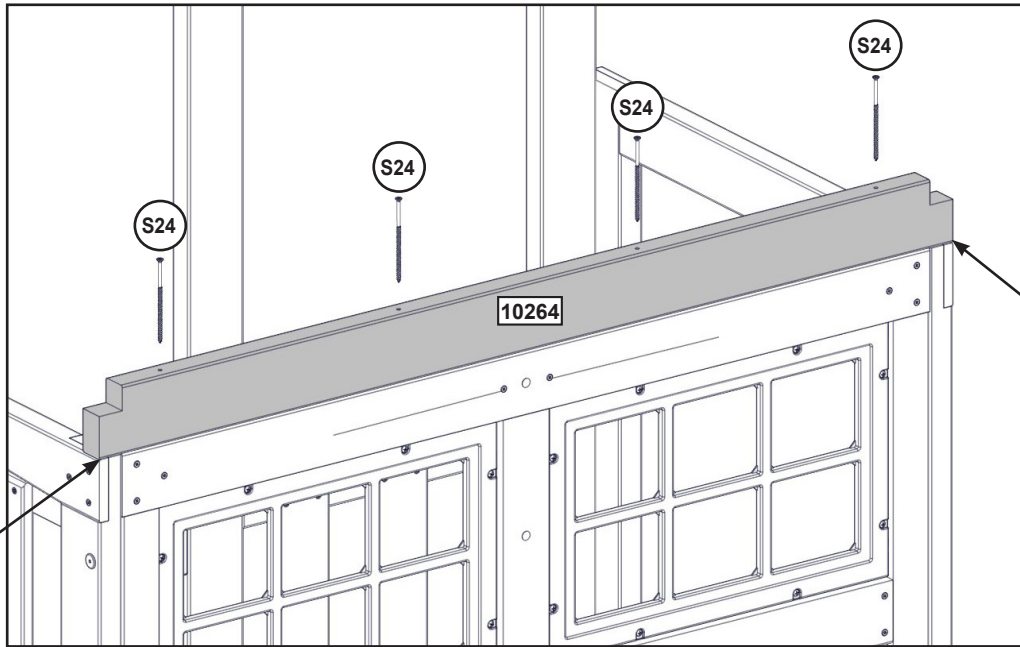
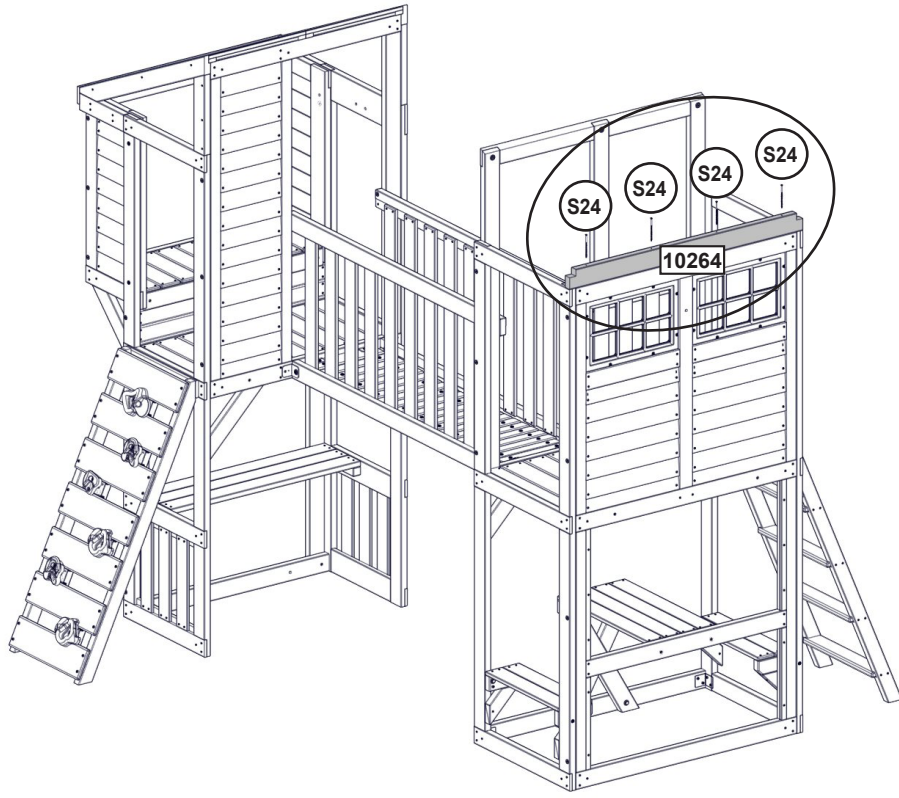
1 x 10588 15.9 x 76.2 x 1028.7 mm (5/8" x 3" x 40 1/2")

**Hardware**

4 x S20 #8 x 34.9mm (#8 x 1-3/8")  
 2 x S0 #8 x 22.2mm (#8 x 7/8")

**Other Parts**

1 x 9200632



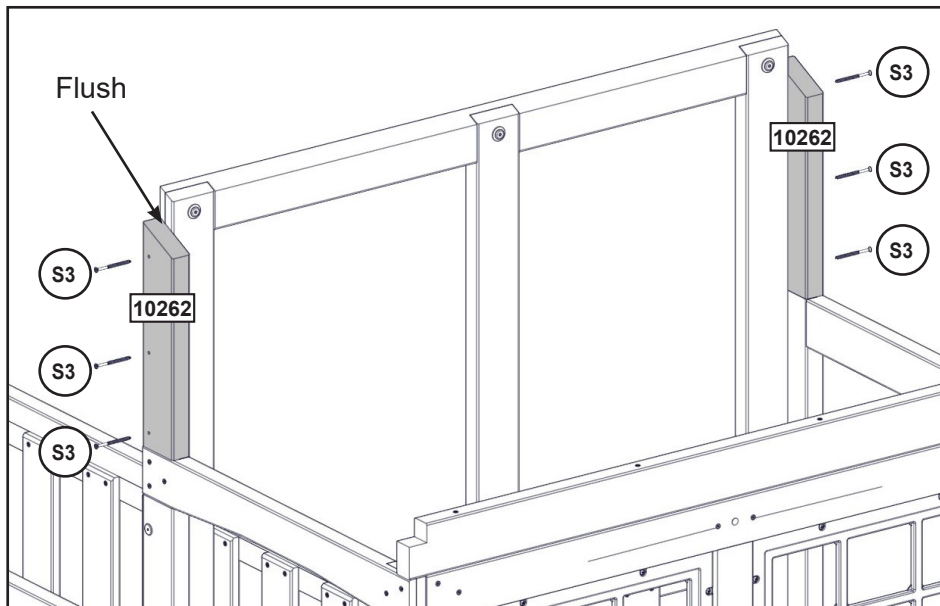
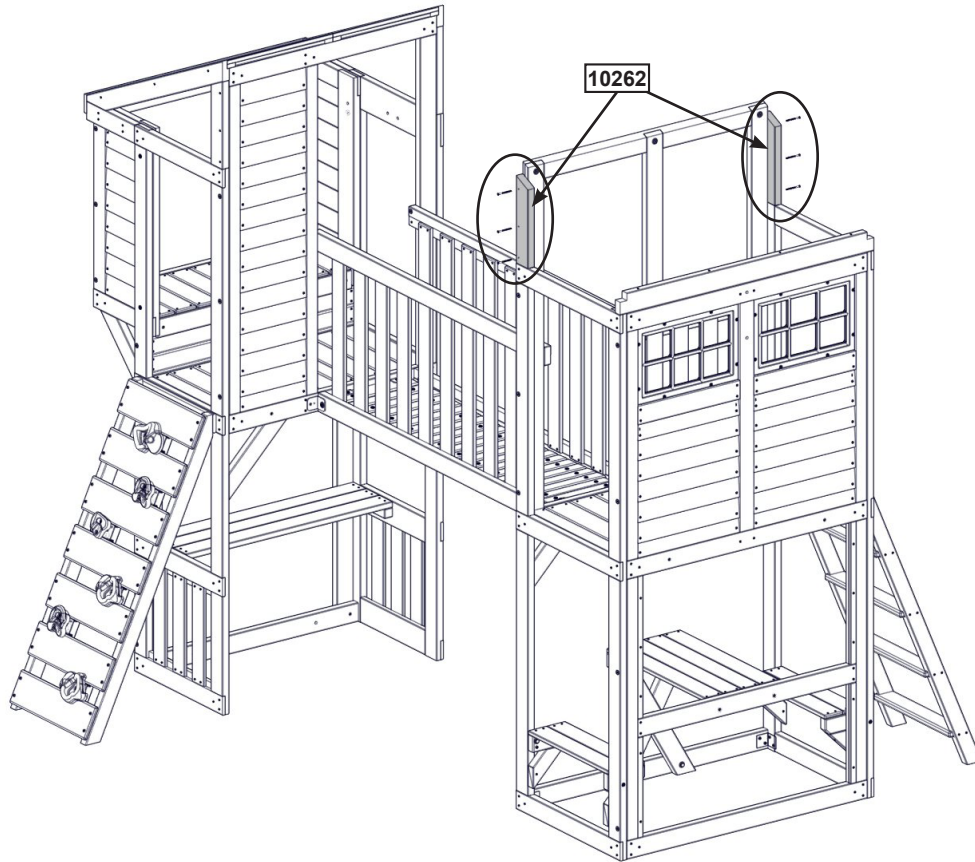
**Wood Parts**

1 x **10264** 31.8 x 82.6 x 1181.2 mm (1 1/4" x 3 1/4" x 46 1/2")

**Hardware**

4 x **S24** #10 x 101.6mm (#10 x 4")



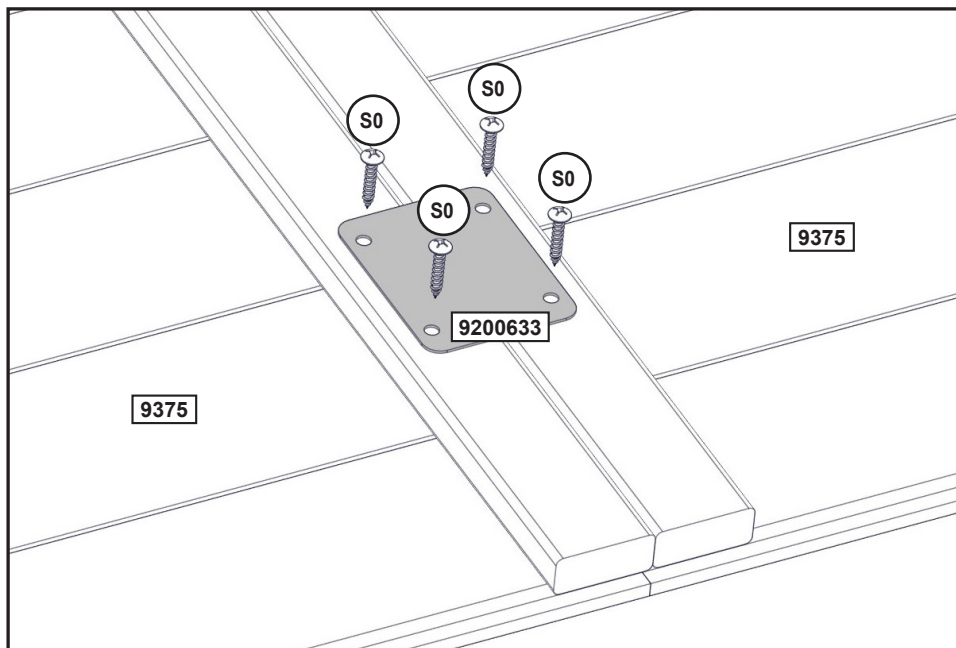
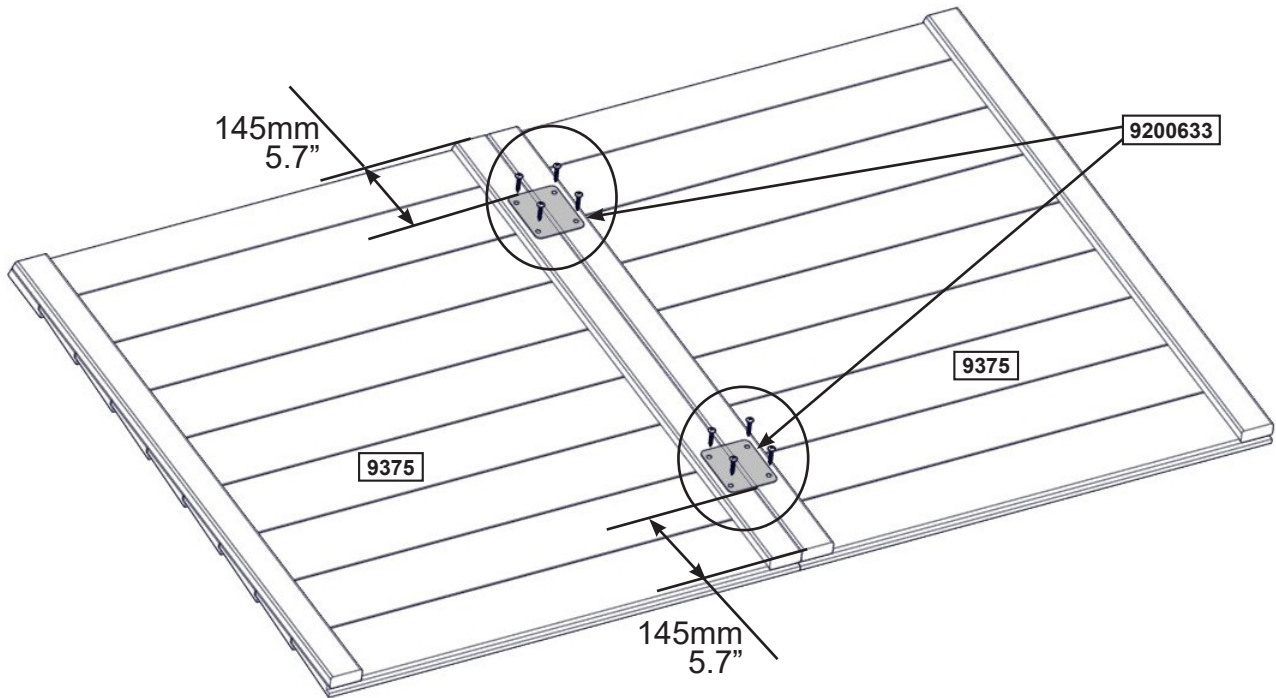


**Wood Parts**

2 x 10262 31.8 x 76.2 x 355 mm (1 1/4" x 3" x 14")

**Hardware**

6 x S3 #8 x 64mm (#8 x 2-1/2")



**Wood Parts**

2 x 9375 28.6 x 751.9 x 567.5mm (1 1/8" x 29 5/8" x 22 5/16")

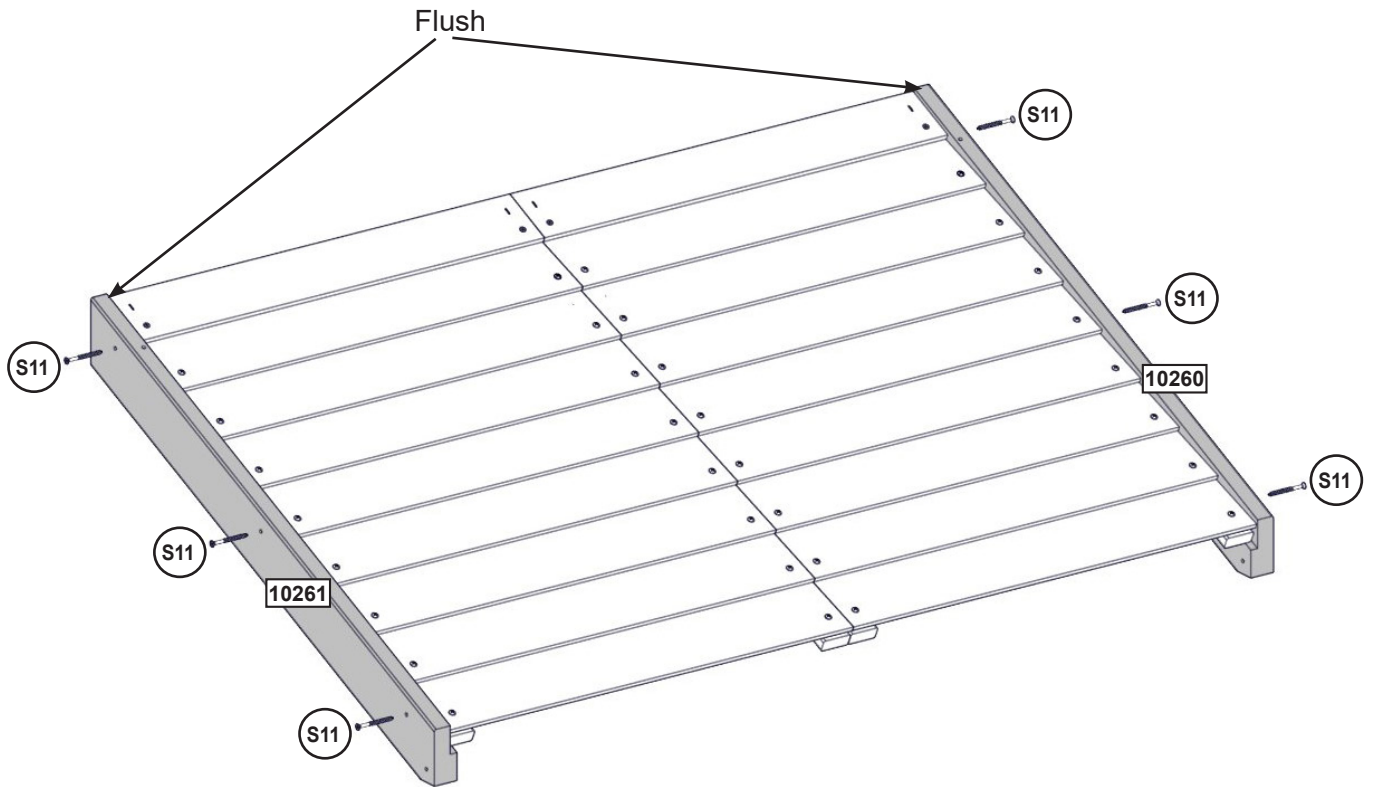
**Hardware**

8 x S0 #8 x 22.2mm (#8 x 7/8")

**Other Parts**

2 x 9200633





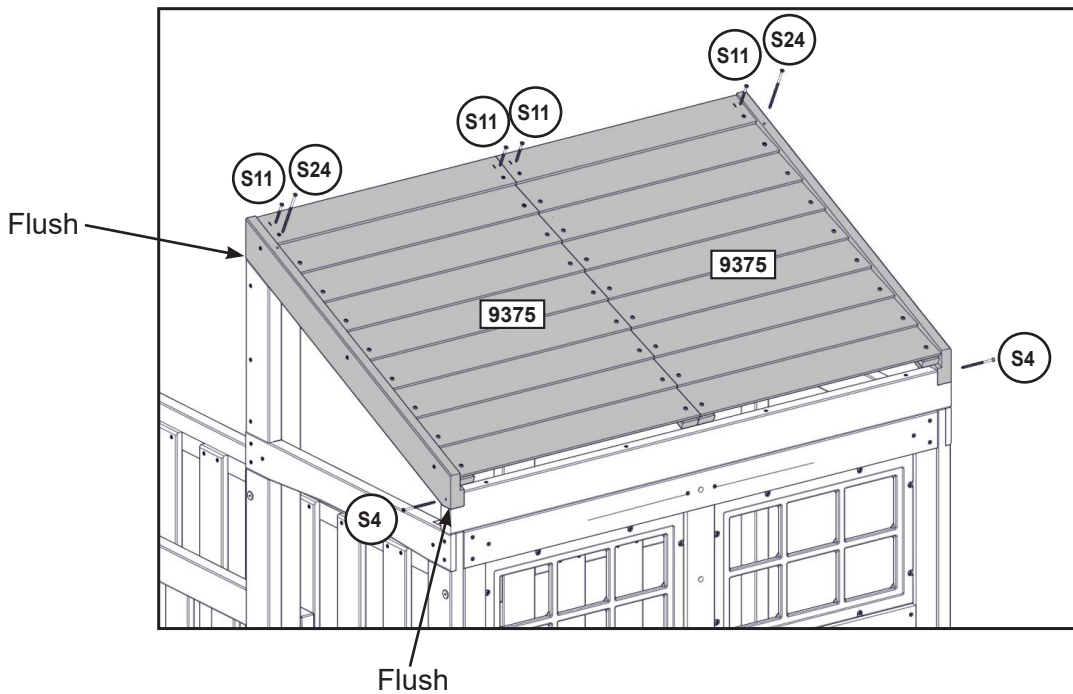
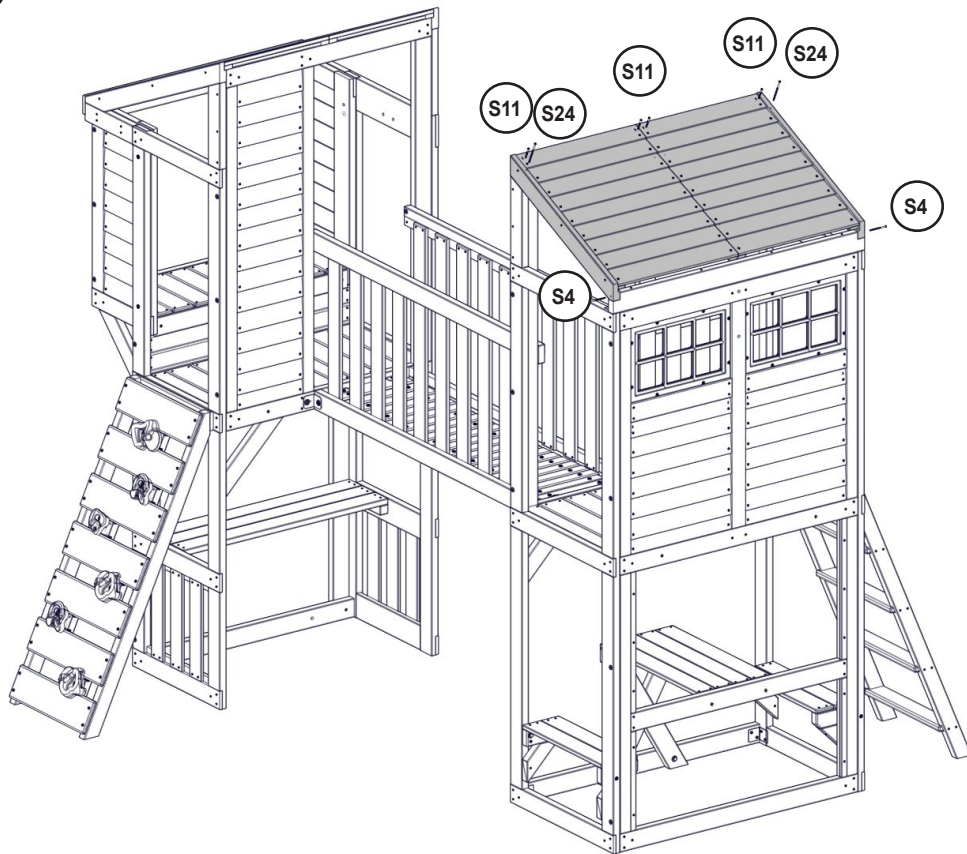
**Wood Parts**

- 1 x 10260 31.8 x 76.2 x 780 mm (1 1/4" x 3" x 30 11/16")
- 1 x 10261 31.8 x 76.2 x 780 mm (1 1/4" x 3" x 30 11/16")

**Hardware**

- 6 x S11 #8 x 50.8mm (#8 x 2")

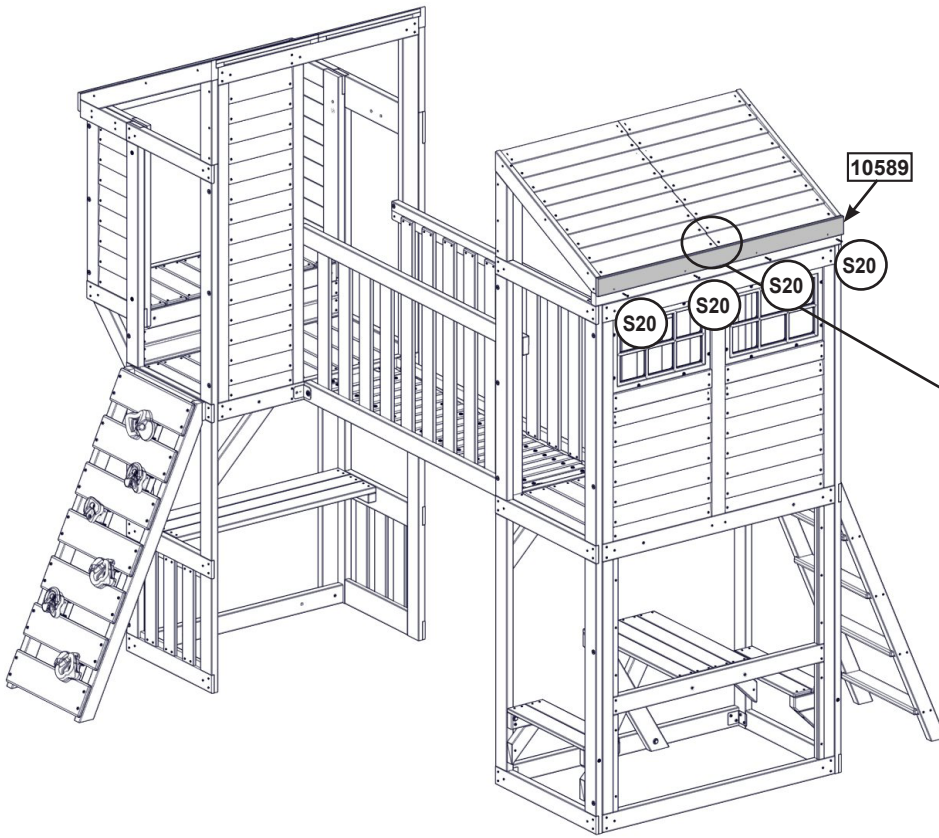
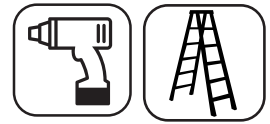




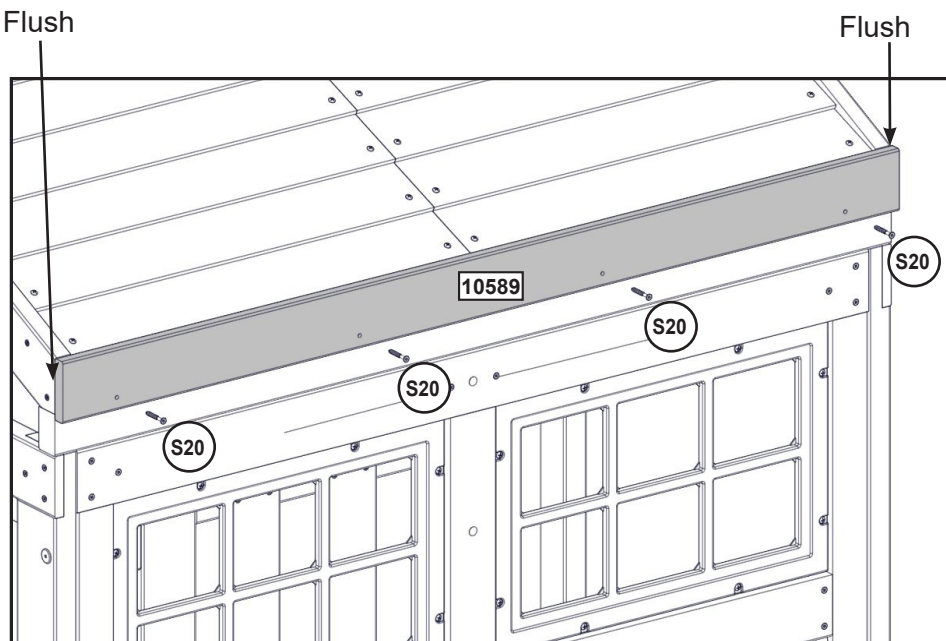
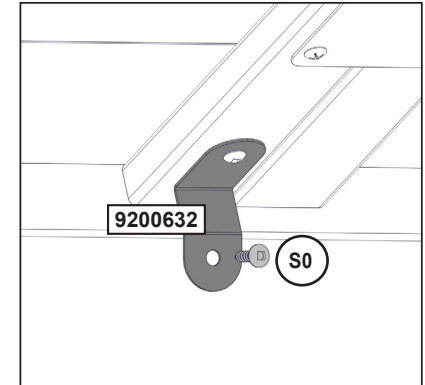
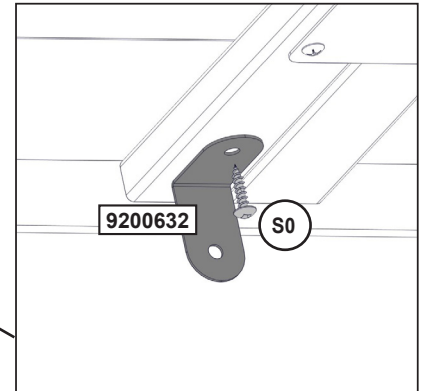
**Hardware**

- 2 x #10 x 101.6mm (#10 x 4")      4 x #8 x 50.8mm (#8 x 2")
- 2 x #8 x 76.2mm (#8 x 3")





Inside View



Bend bracket to match roof angle.



**Wood Parts**

1 x 10589 15.9 x 76.2 x 1181.2 mm (5/8" x 3" x 46 1/2")

**Hardware**

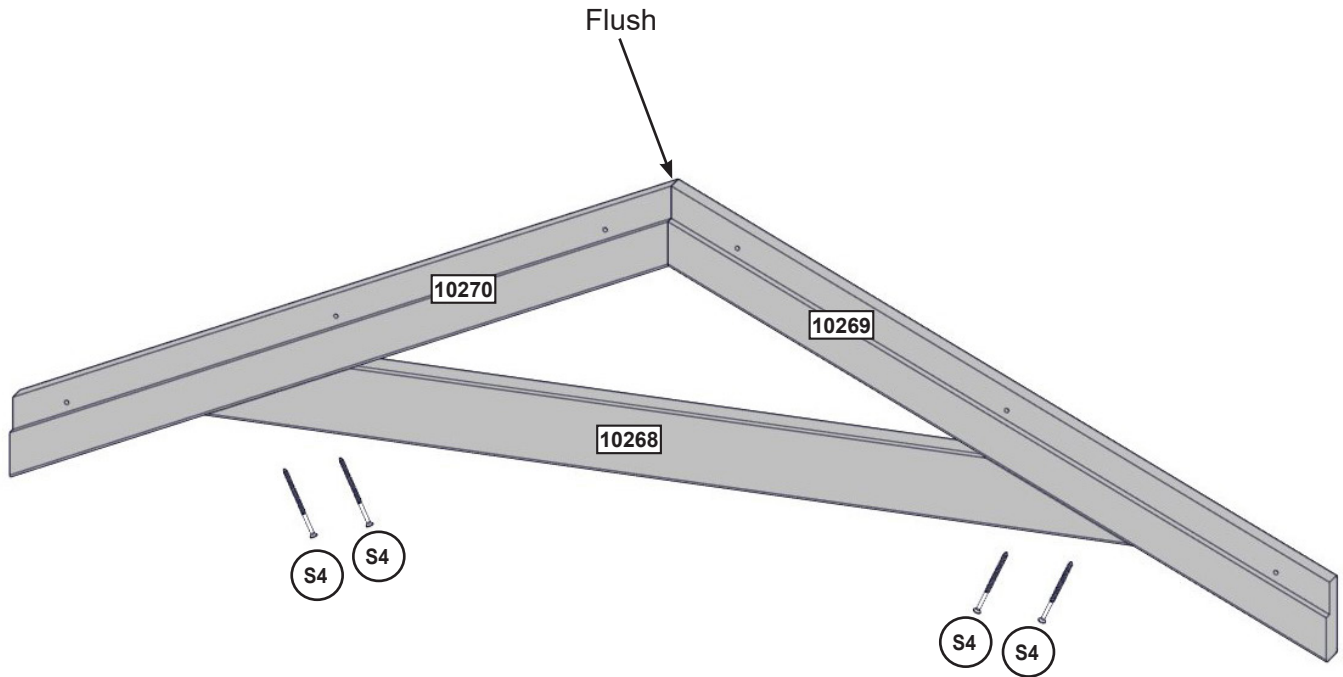
4 x S20 #8 x 34.9mm (#8 x 1-3/8")  
 2 x S0 #8 x 22.2mm (#8 x 7/8")

**Other Parts**

1 x 9200632

70


Complete this step twice



**Wood Parts**

- 2 x  31.8 x 76.2 x 1000 mm (1 1/4" x 3" x 39 3/8")
- 2 x  31.8 x 76.2 x 817.4 mm (1 1/4" x 3" x 32 3/16")
- 2 x  31.8 x 76.2 x 817.4 mm (1 1/4" x 3" x 32 3/16")

**Hardware**

- 8 x  #8 x 76.2mm (#8 x 3")

europecustomerservice@kidkraft.com  
 +31 20 305 8620  
 M-F from 09:00 to 17:30 (GMT+1)

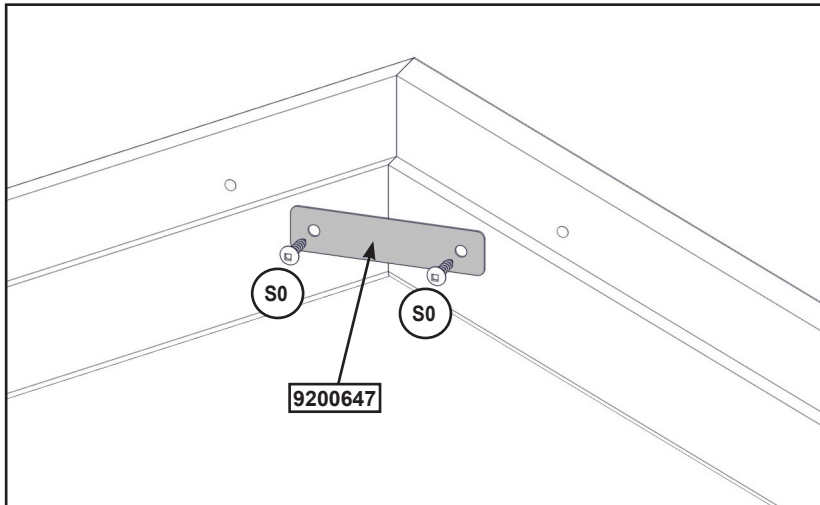
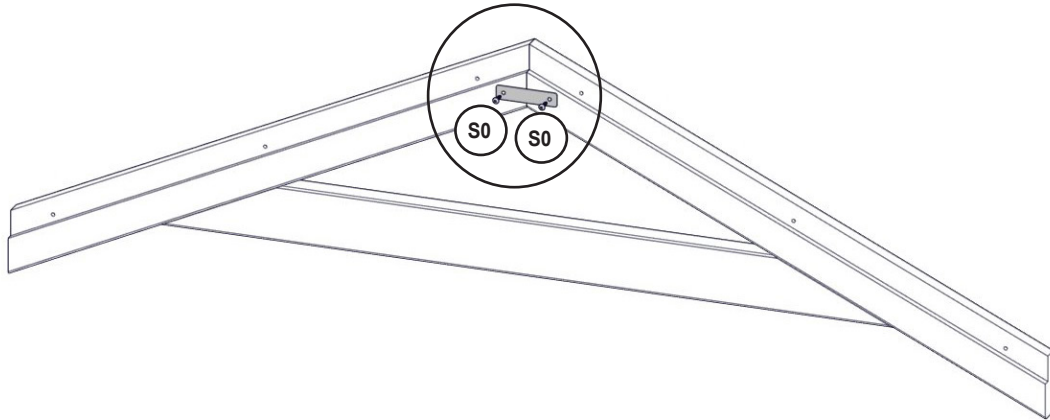
parts.kidkraft.eu



71



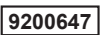
Complete this step twice



**Hardware**

4 x  #8 x 22.2mm (#8 x 7/8")

**Other Parts**

2 x 

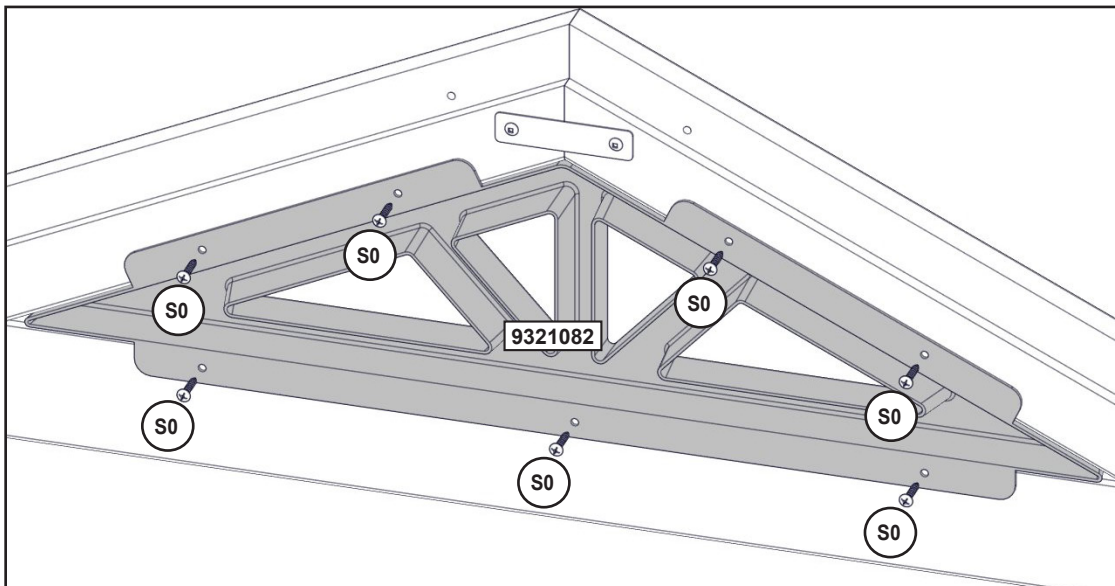
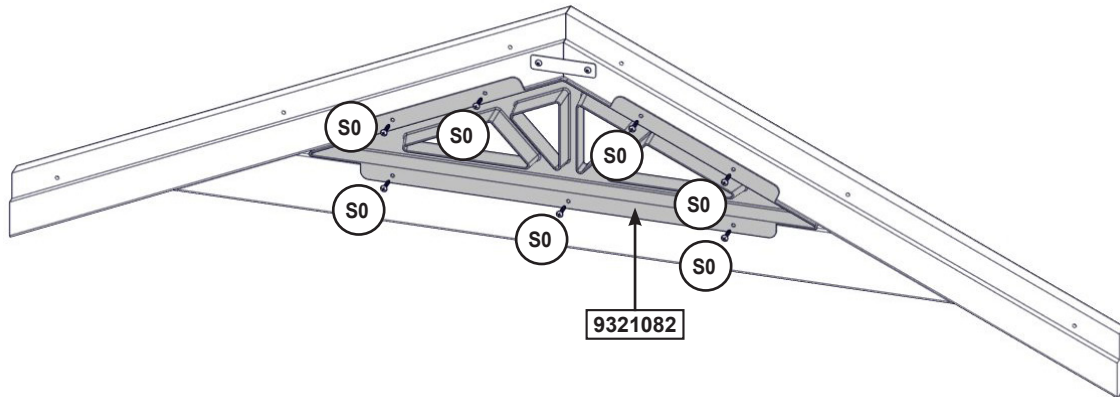


parts.kidkraft.com

customerservice@kidkraft.com  
1.800.933.0771  
972.385.0100

72

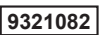
Complete this step twice



**Hardware**

14 x  #8 x 22.2mm (#8 x 7/8")

**Other Parts**

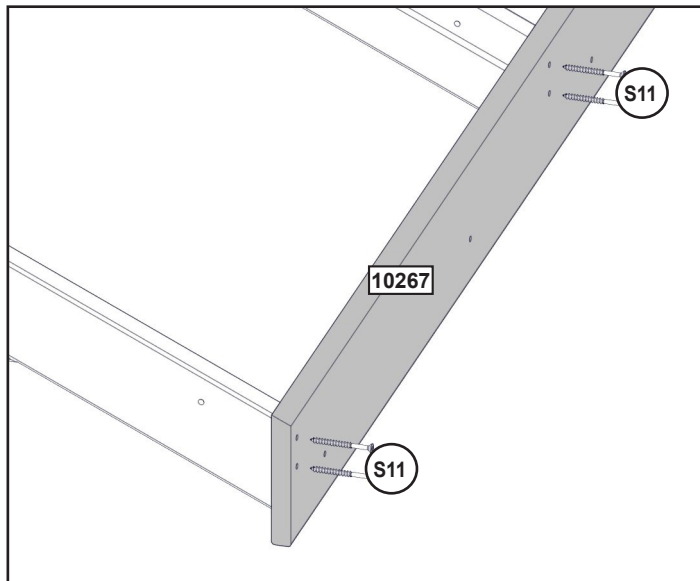
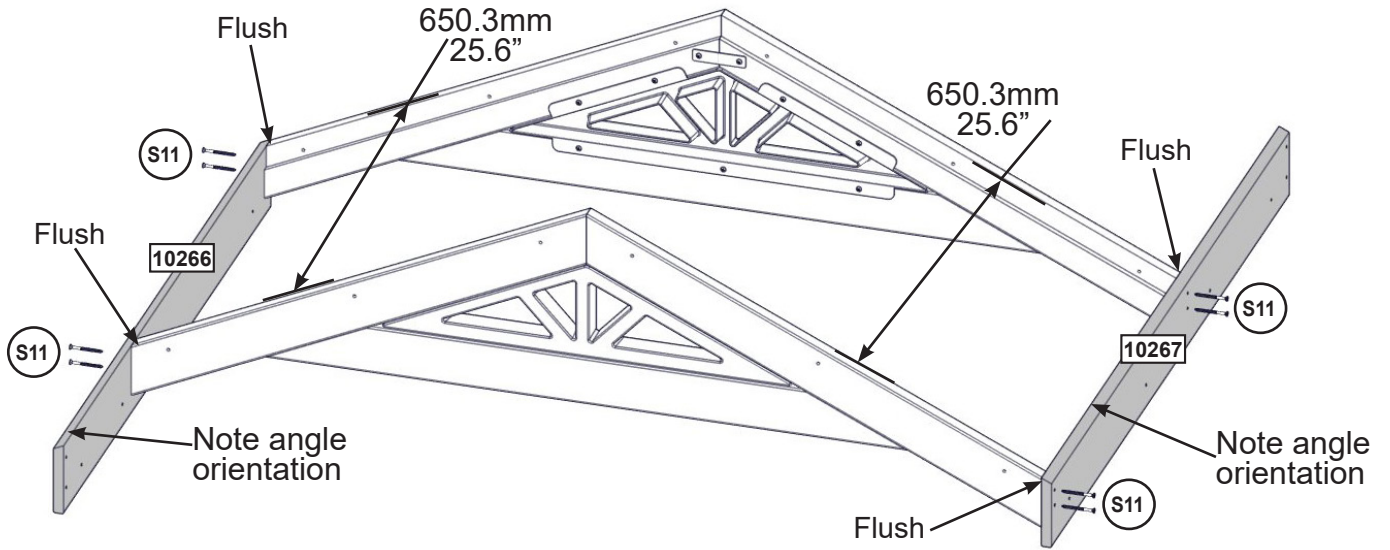
2 x 

europcustomerservice@kidkraft.com  
+31 20 305 8620  
M-F from 09:00 to 17:30 (GMT+1)

parts.kidkraft.eu



Note hole orientation

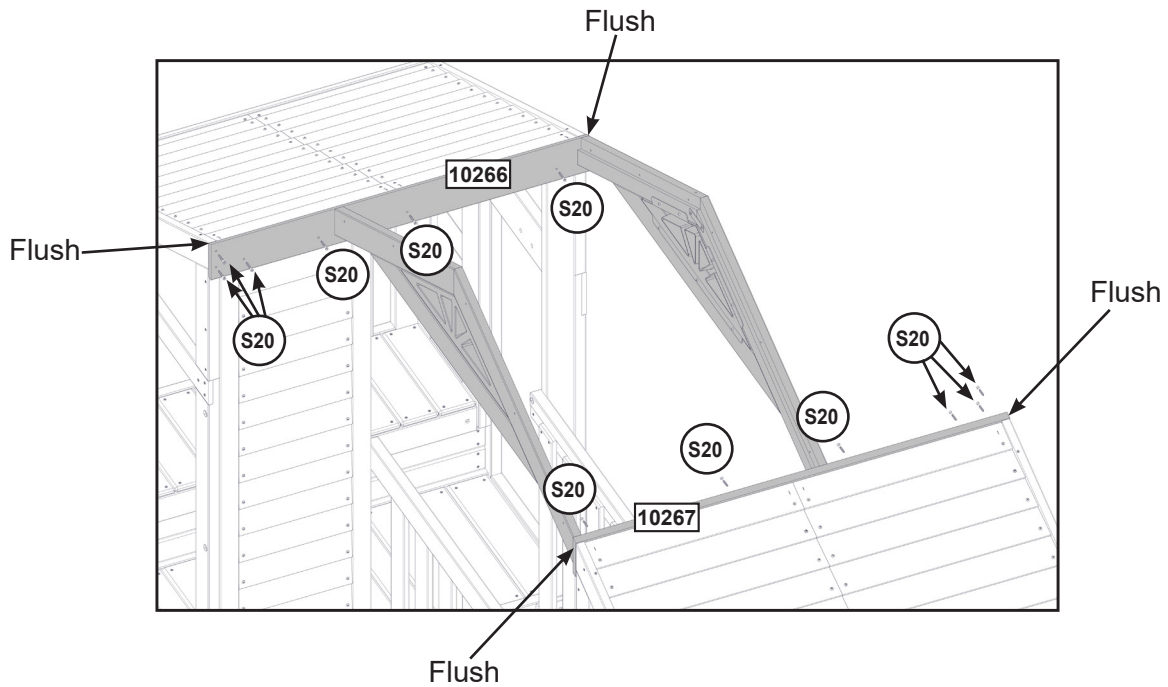
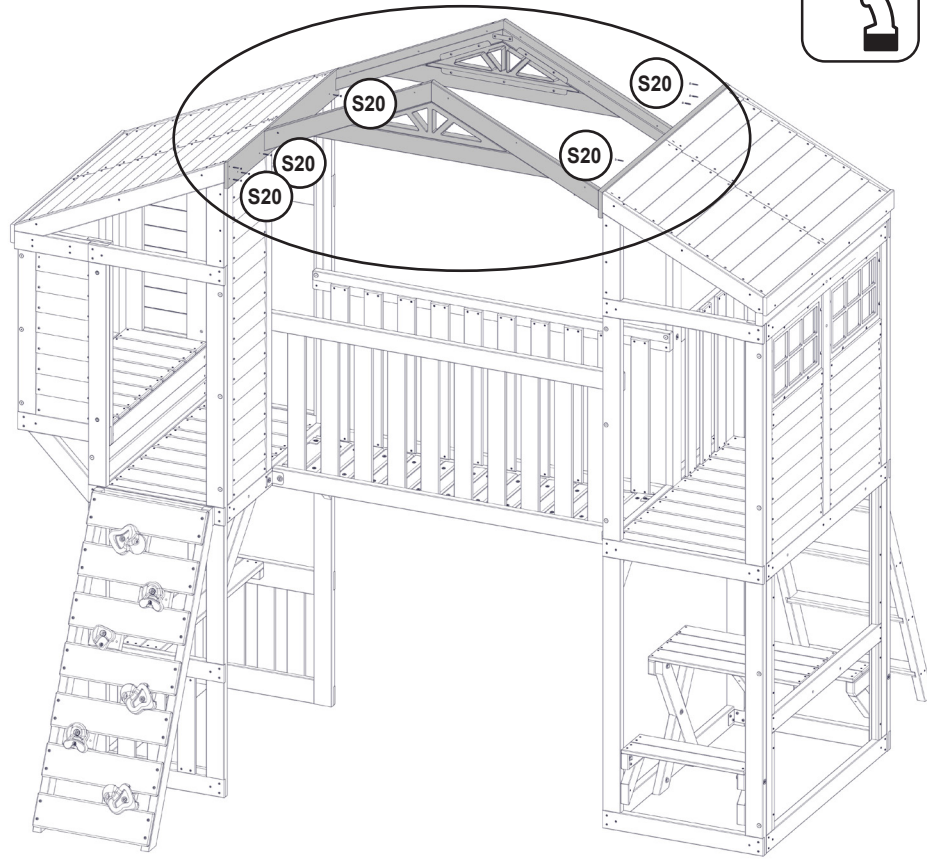


**Wood Parts**

- 1 x 10266 15.9 x 114.3 x 1028.7 mm (5/8" X 4 1/2" X 40 1/2")
- 1 x 10267 15.9 x 114.3 x 1181.2 mm (5/8" X 4 1/2" X 46 1/2")

**Hardware**

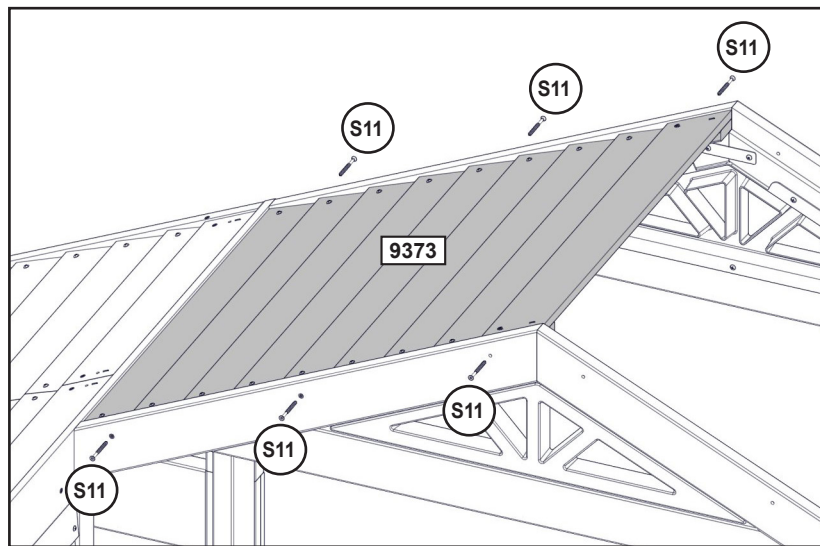
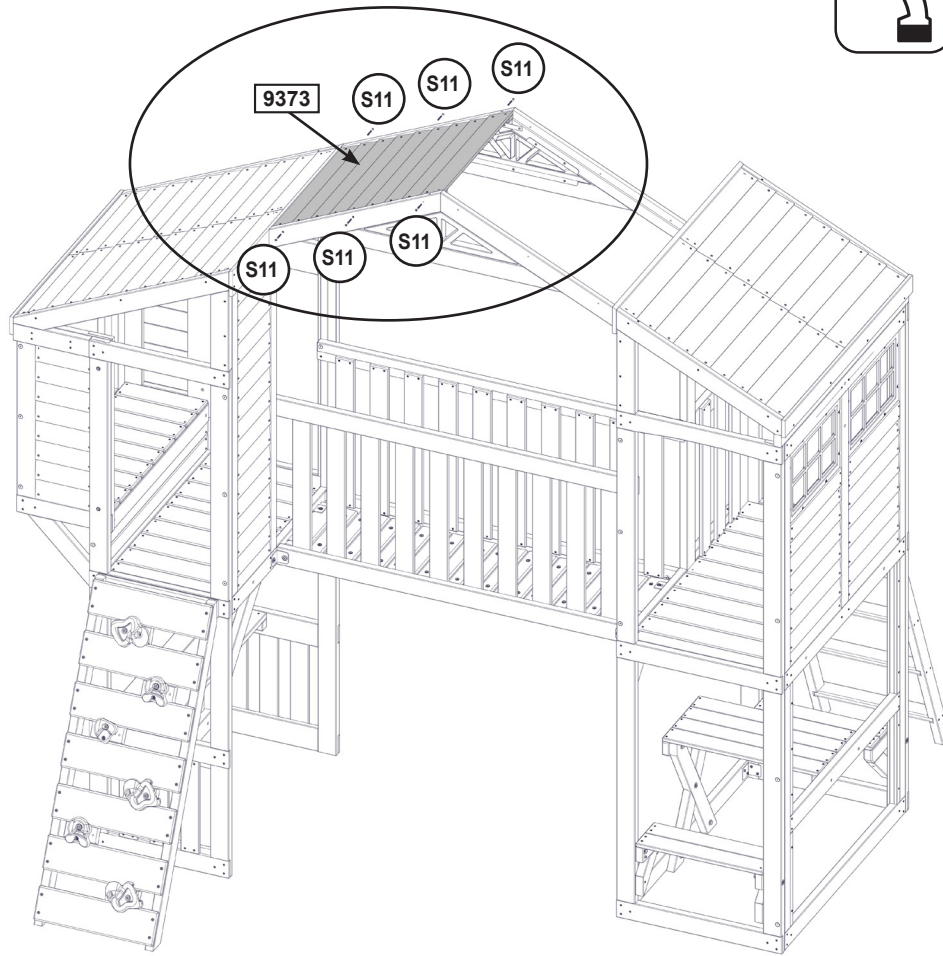
- 8 x S11 #8 x 50.8mm (#8 x 2")



**Hardware**

12 x #8 x 35mm (#8 x 1-3/8")





**Wood Parts**

1 x 9373 28.6 x 781.7 x 647.3mm (1 1/8" x 30 3/4" x 25 1/2")

**Hardware**

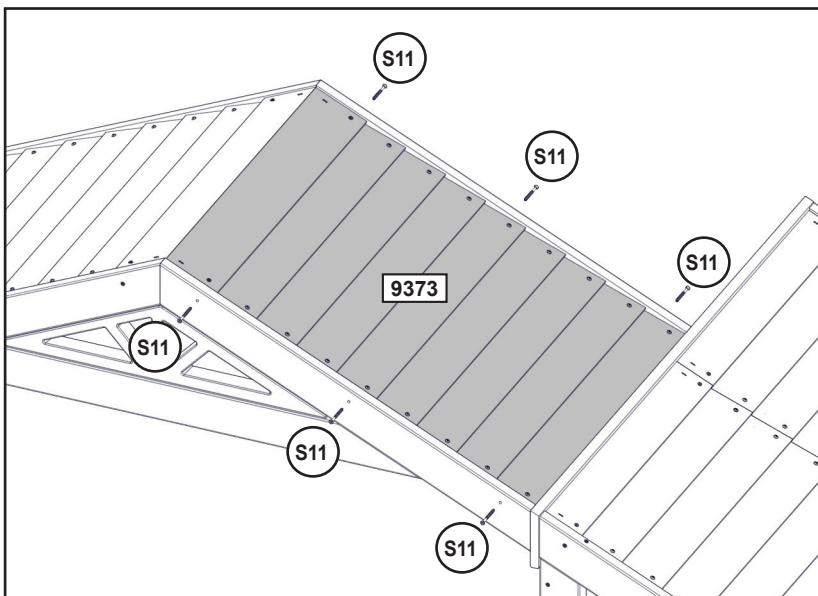
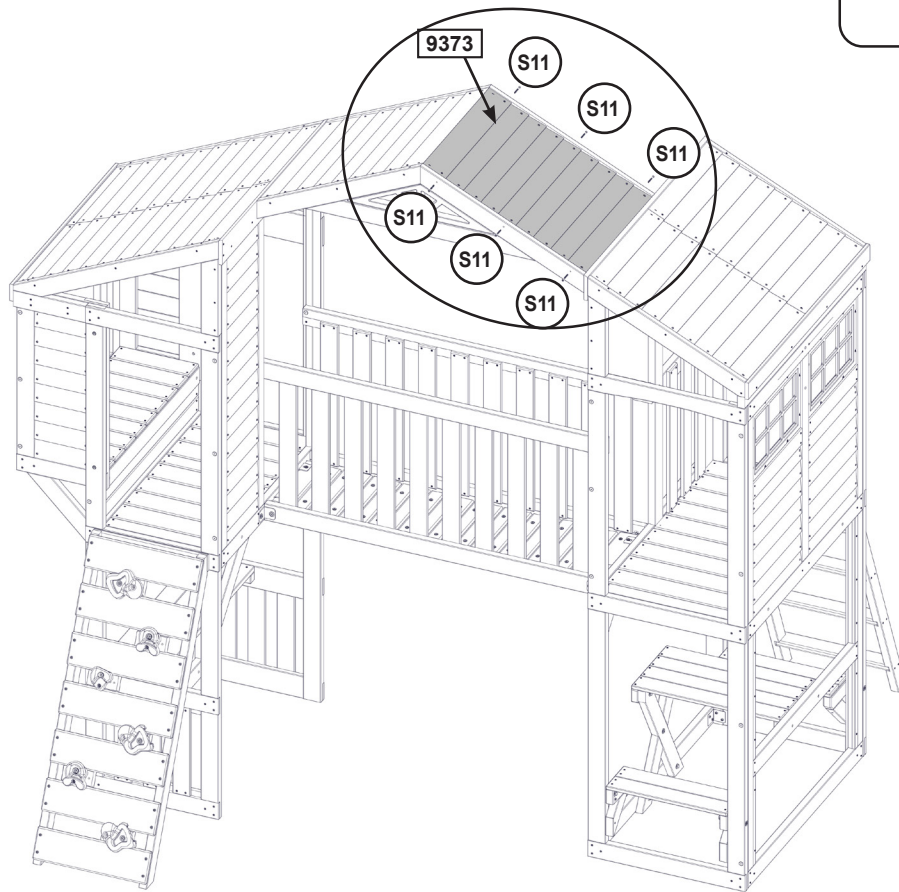
6 x S11 #8 x 50.8mm (#8 x 2")



parts.kidkraft.com

customerservice@kidkraft.com  
1.800.933.0771  
972.385.0100





**Wood Parts**

1 x 9373 28.6 x 781.7 x 647.3mm (1 1/8" x 30 3/4" x 25 1/2")

**Hardware**

6 x S11 #8 x 50.8mm (#8 x 2")

europecustomerservice@kidkraft.com  
+31 20 305 8620  
M-F from 09:00 to 17:30 (GMT+1)

parts.kidkraft.eu



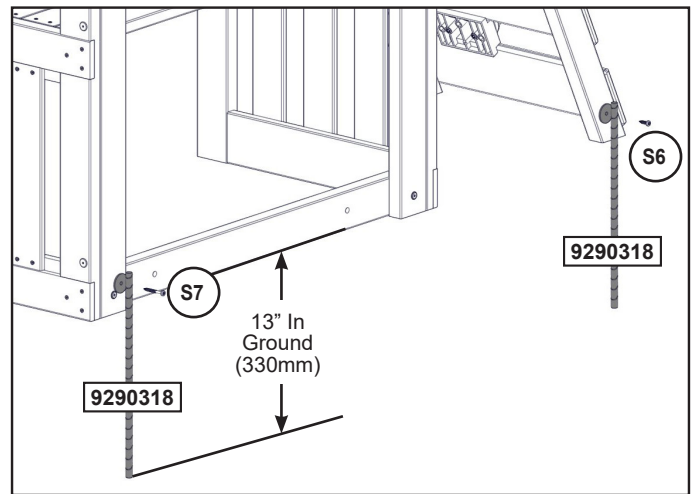
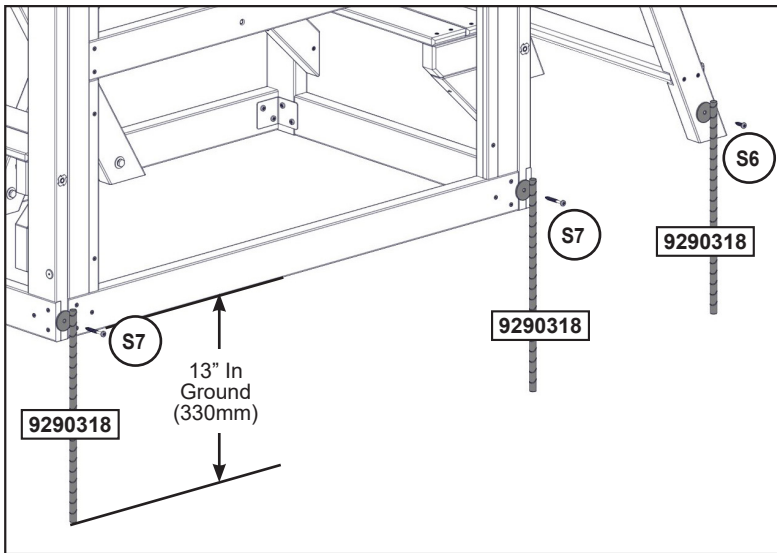
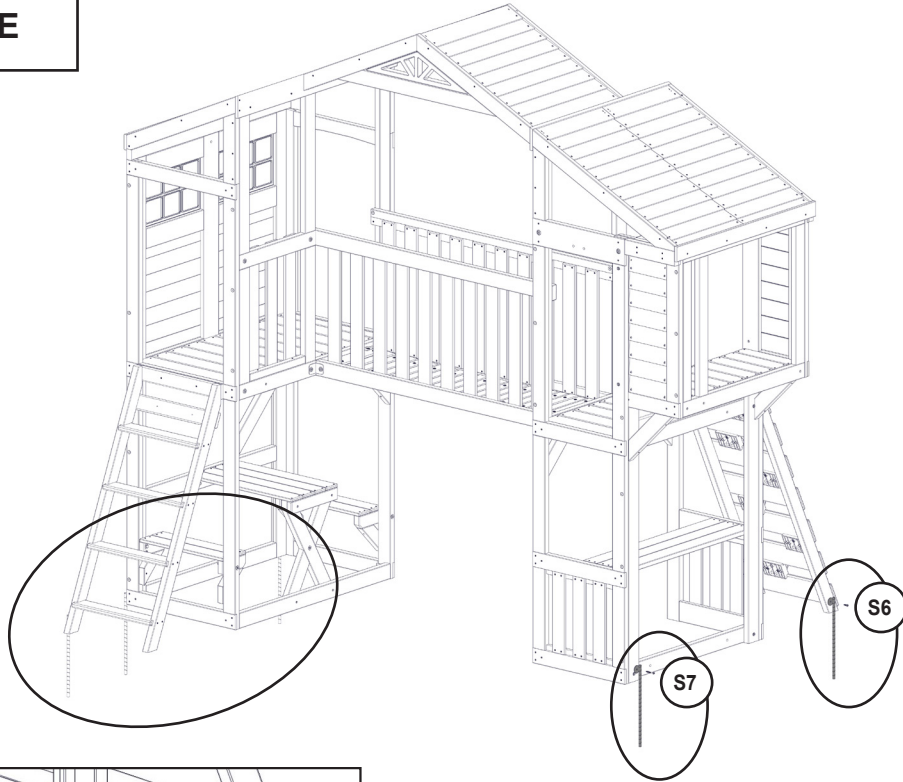
77

**MOVE FORT TO FINAL LOCATION PRIOR TO STAKING  
FINAL LOCATION MUST BE LEVEL GROUND**



**Warning! To prevent tipping and avoid potential injury, stakes must be driven 13"(330mm) into ground. Digging or driving stakes can be dangerous if you do not check first for under-ground wiring, cables or gas lines.**

**SEE COVER PAGE FOR  
SAFETY CLEARANCE**



**Hardware**

- 3 x **S7** #12 x 50.8mm (#12 x 2")
- 2 x **S6** #12 x 25.4mm (#12 x 1")

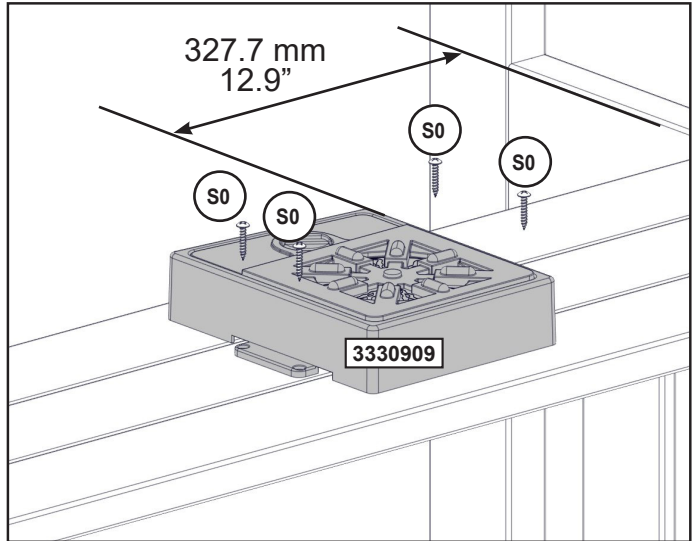
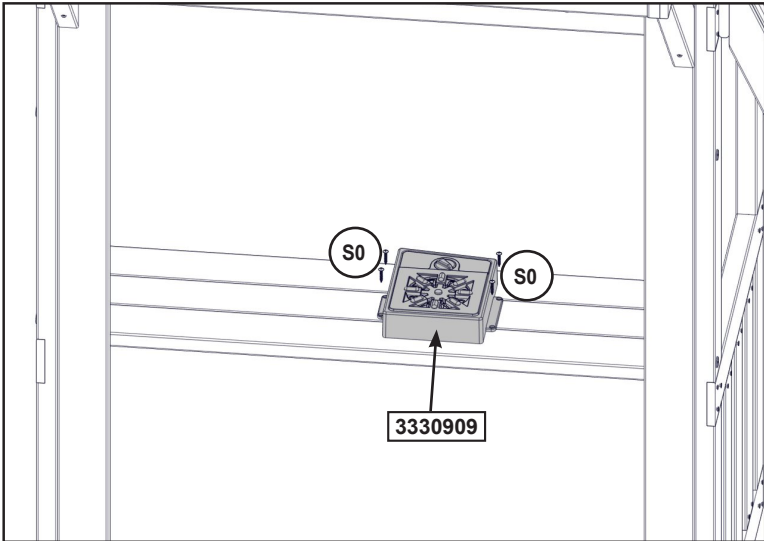
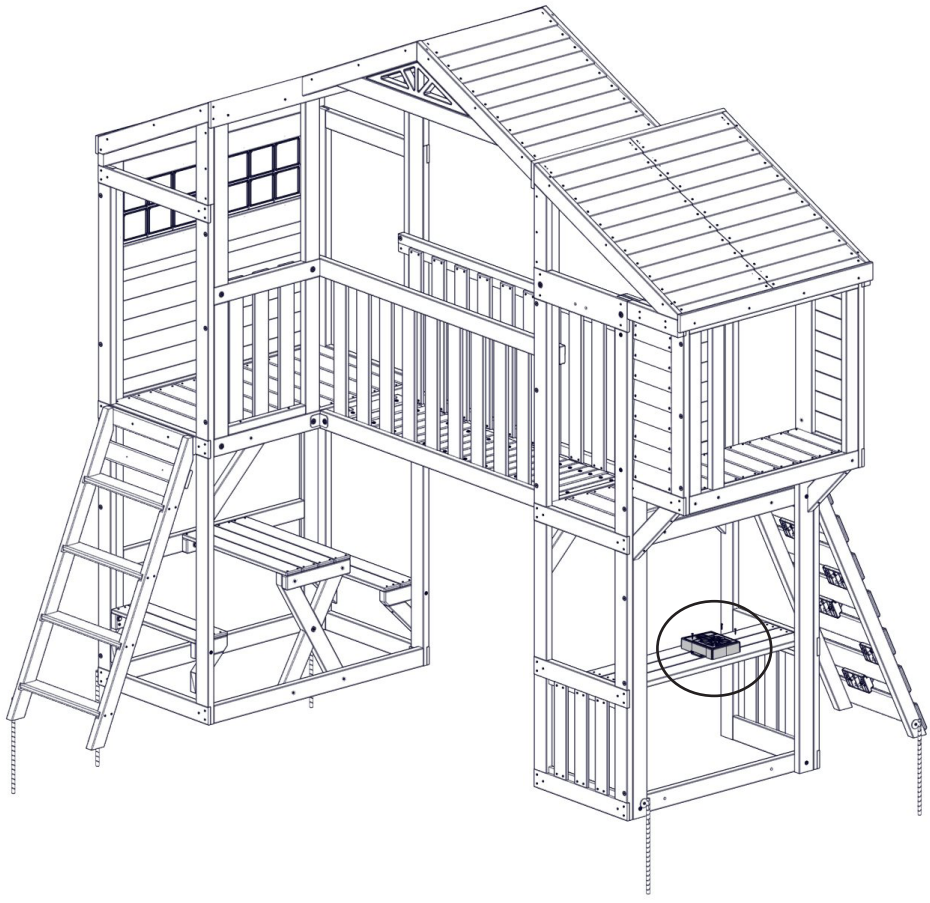
**Other Parts**

- 5 x **9290318**



[parts.kidkraft.com](http://parts.kidkraft.com)

[customerservice@kidkraft.com](mailto:customerservice@kidkraft.com)  
1.800.933.0771  
972.385.0100



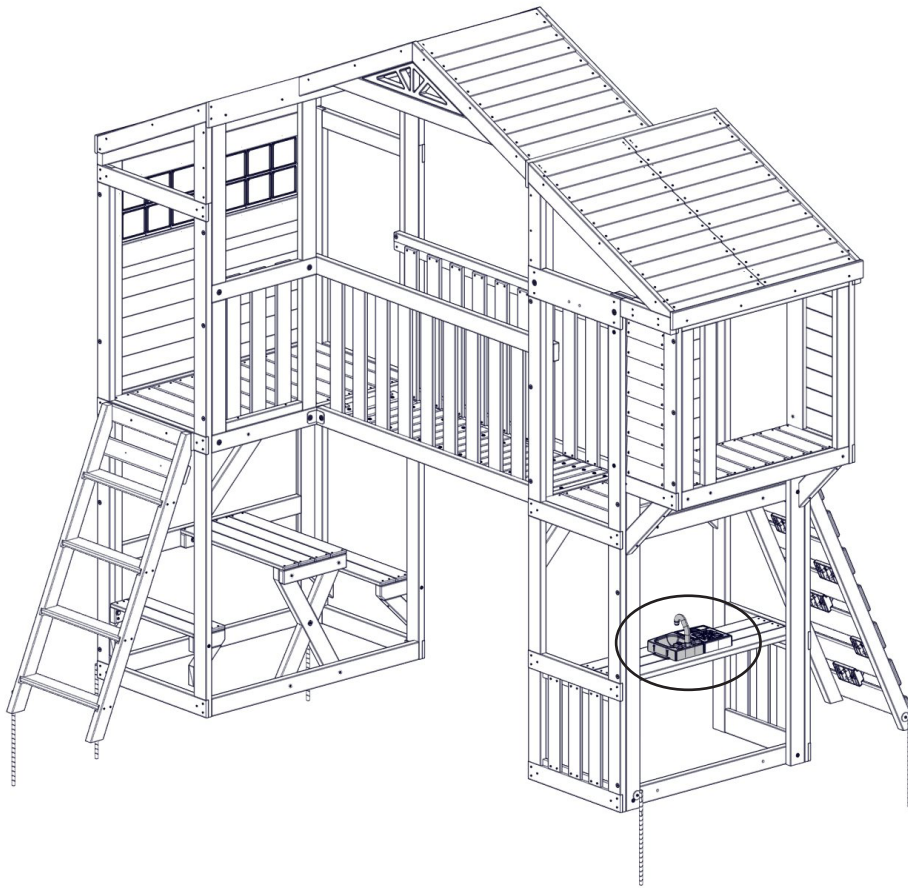
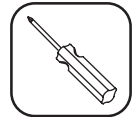
**Hardware**

4 x #8 x 22.2mm (#8 x 7/8")

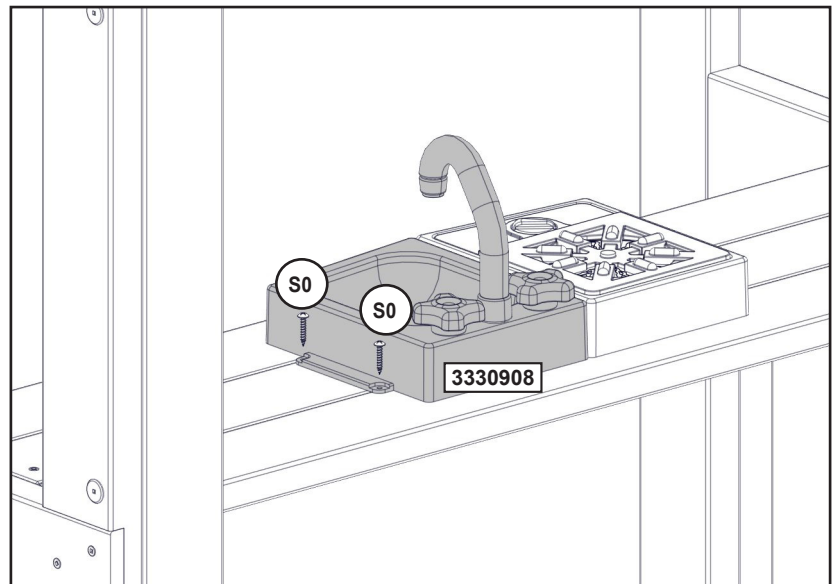
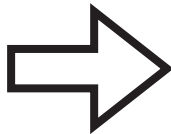
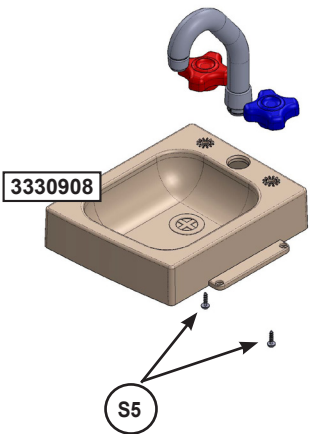
**Other Parts**

1 x 3330909





**Important: Use a hand held screw driver and DO NOT over tighten.**



**Hardware**

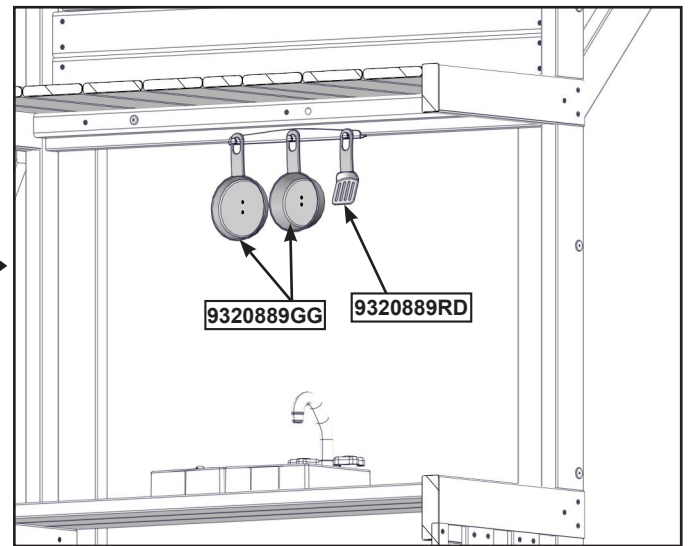
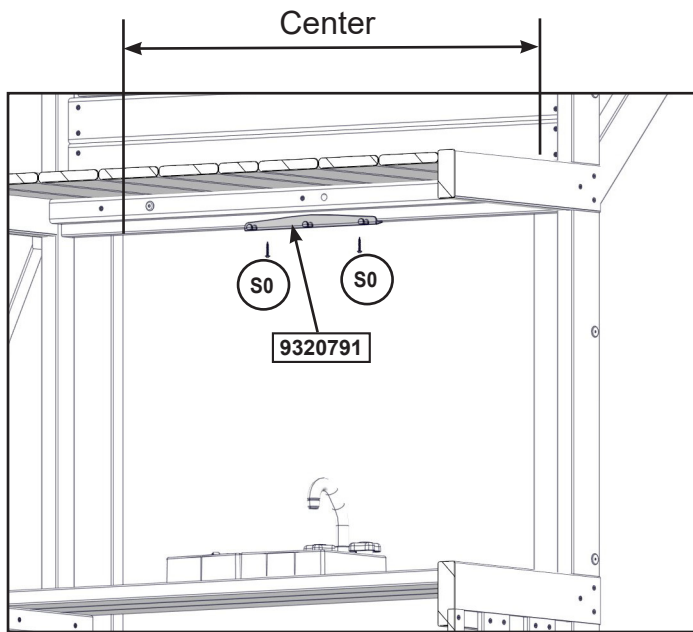
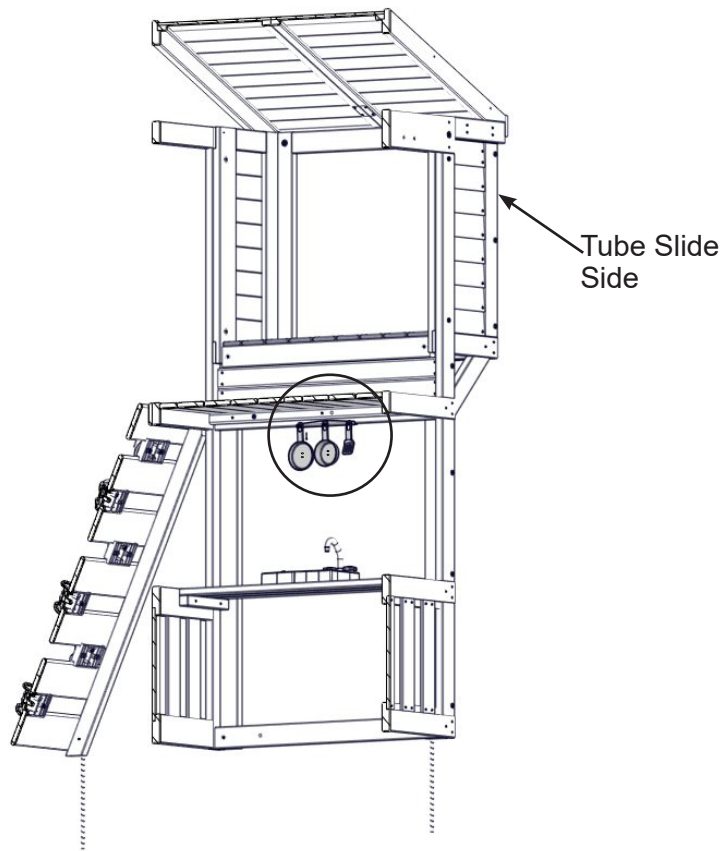
- 2 x (S0) #8 x 22.2mm (#8 x 7/8")
- 2 x (S5) #8 x 12.7mm(#8 x 1/2")

**Other Parts**




- 1 x 3330908



**Note: Structure partly removed for clarity.**

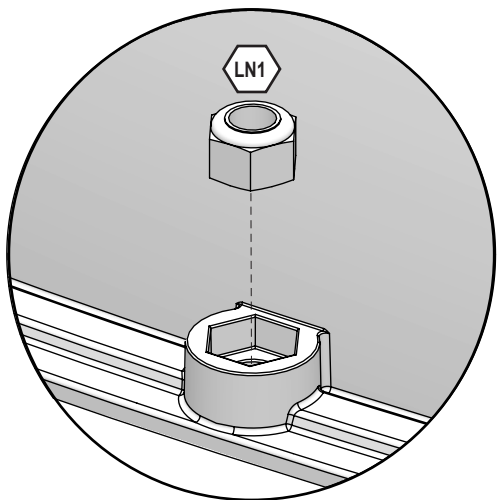
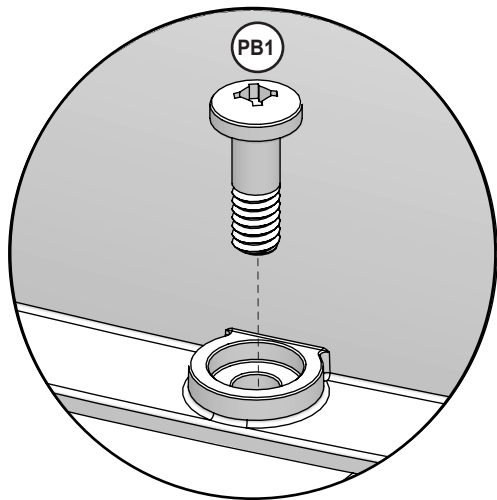
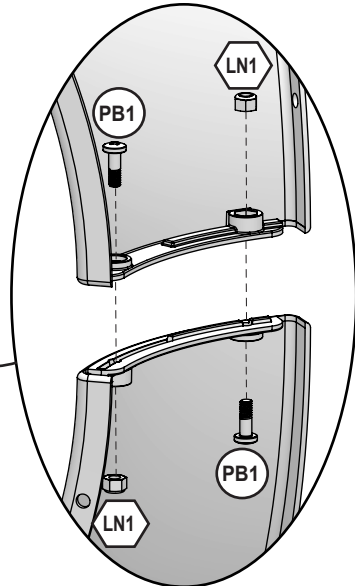
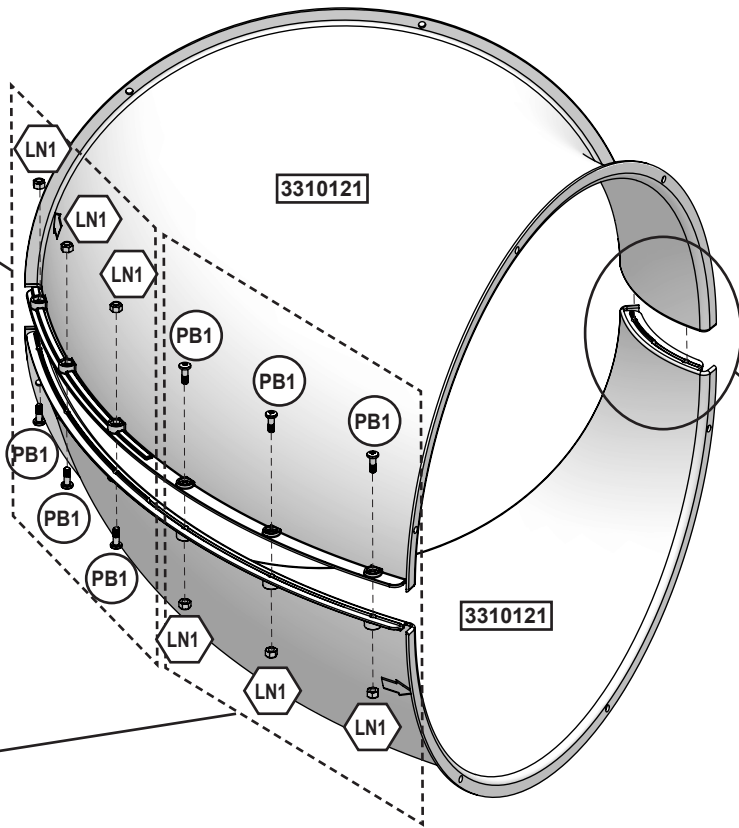
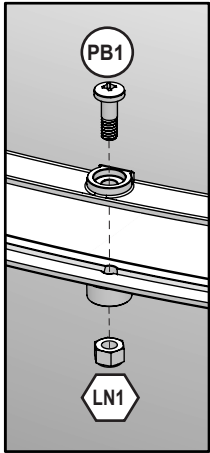
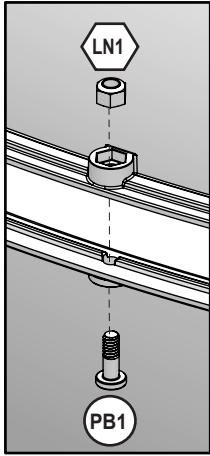


**Hardware**  
2 x  #8 x 22.2mm (#8 x 7/8")

**Other Parts**  
1 x   
1 x   
1 x 



Complete this step four times

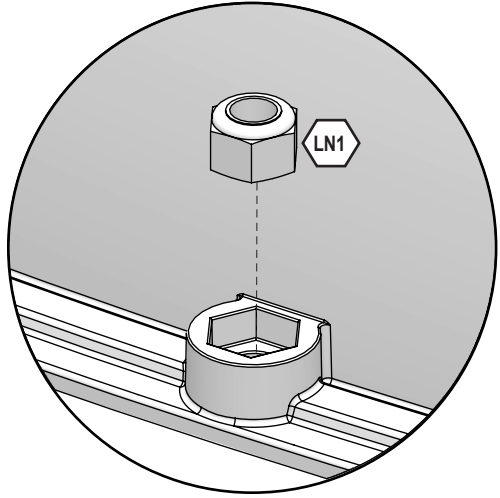
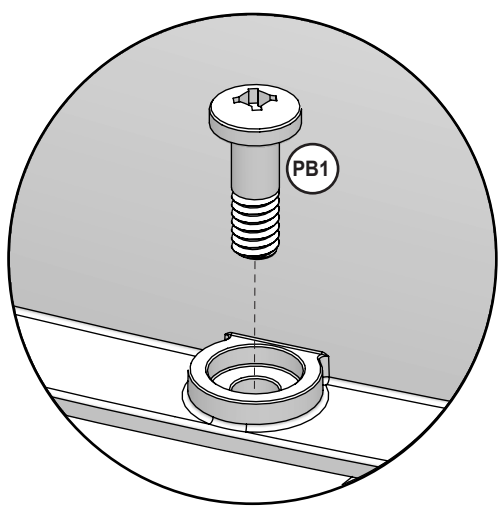
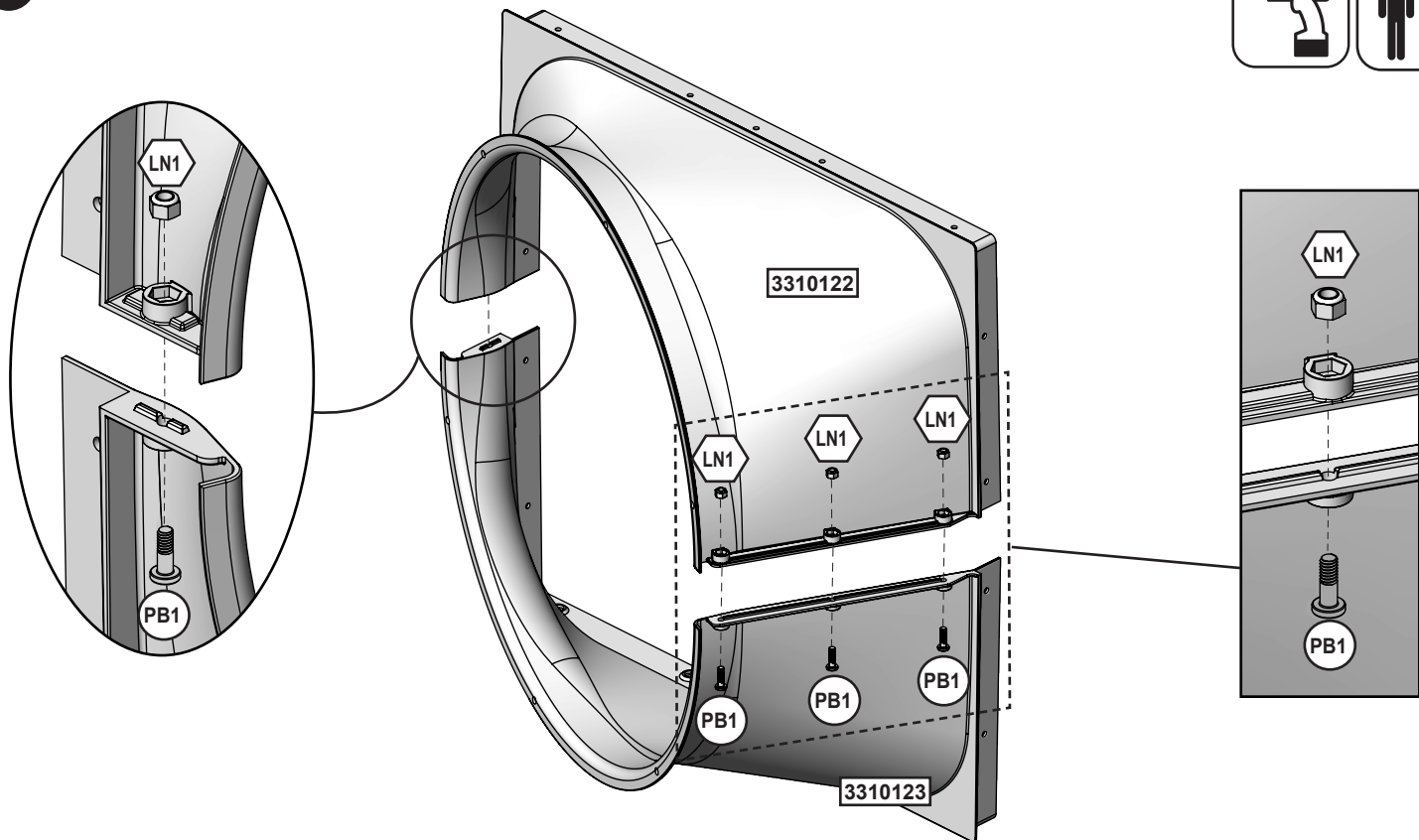


**Hardware**

32 x (PB1) 6.3mm x 19 mm (1/4 x 3/4") (LN1)

**Other Parts**

8 x (3310121)



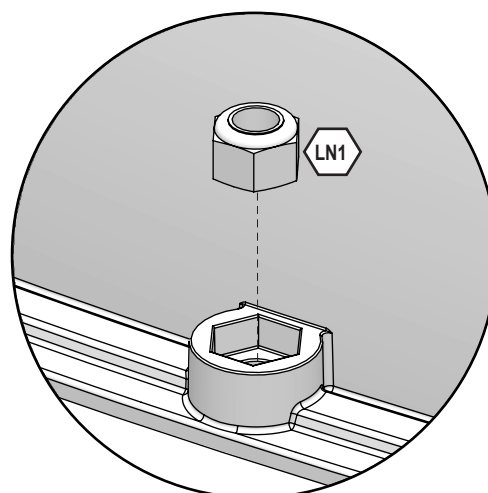
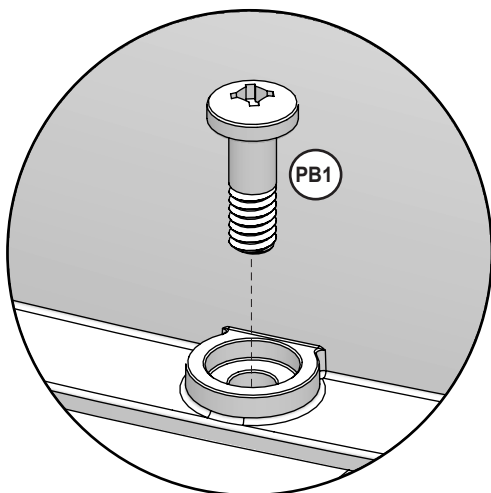
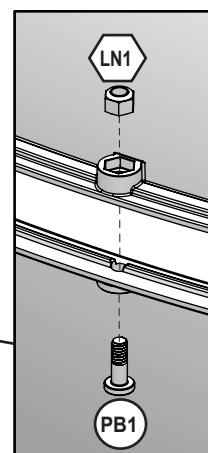
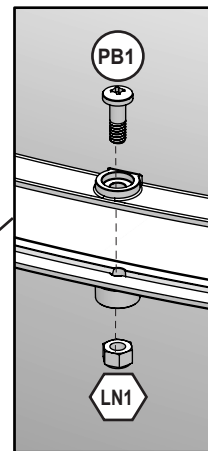
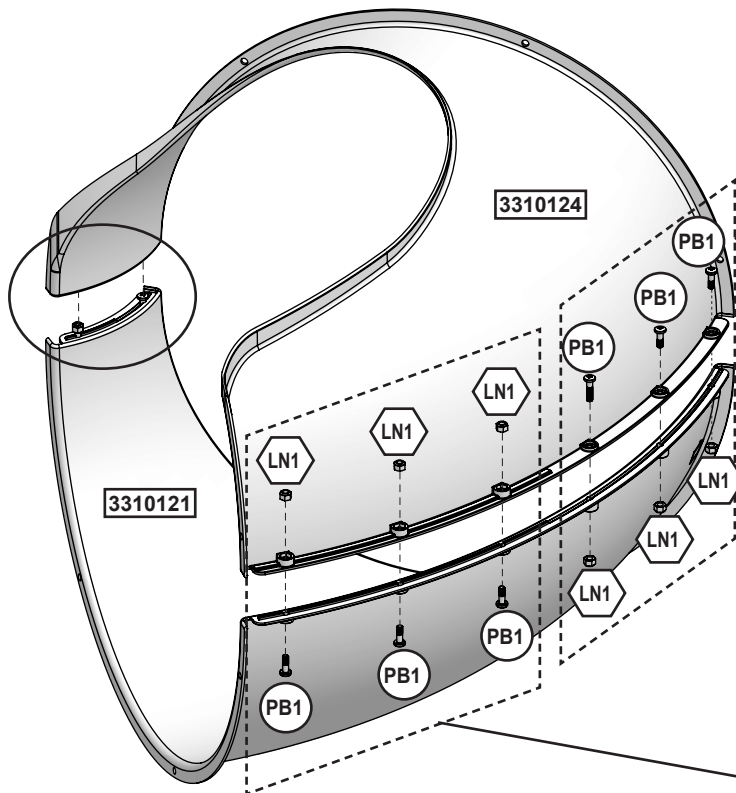
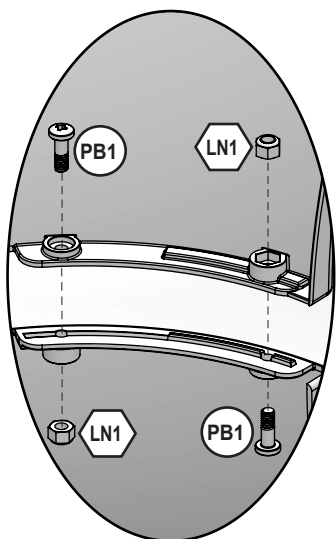
**Hardware**

4 x (PB1) 6.3mm x 19 mm (1/4 x 3/4") (LN1)

**Other Parts**

- 1 x 3310122
- 1 x 3310123





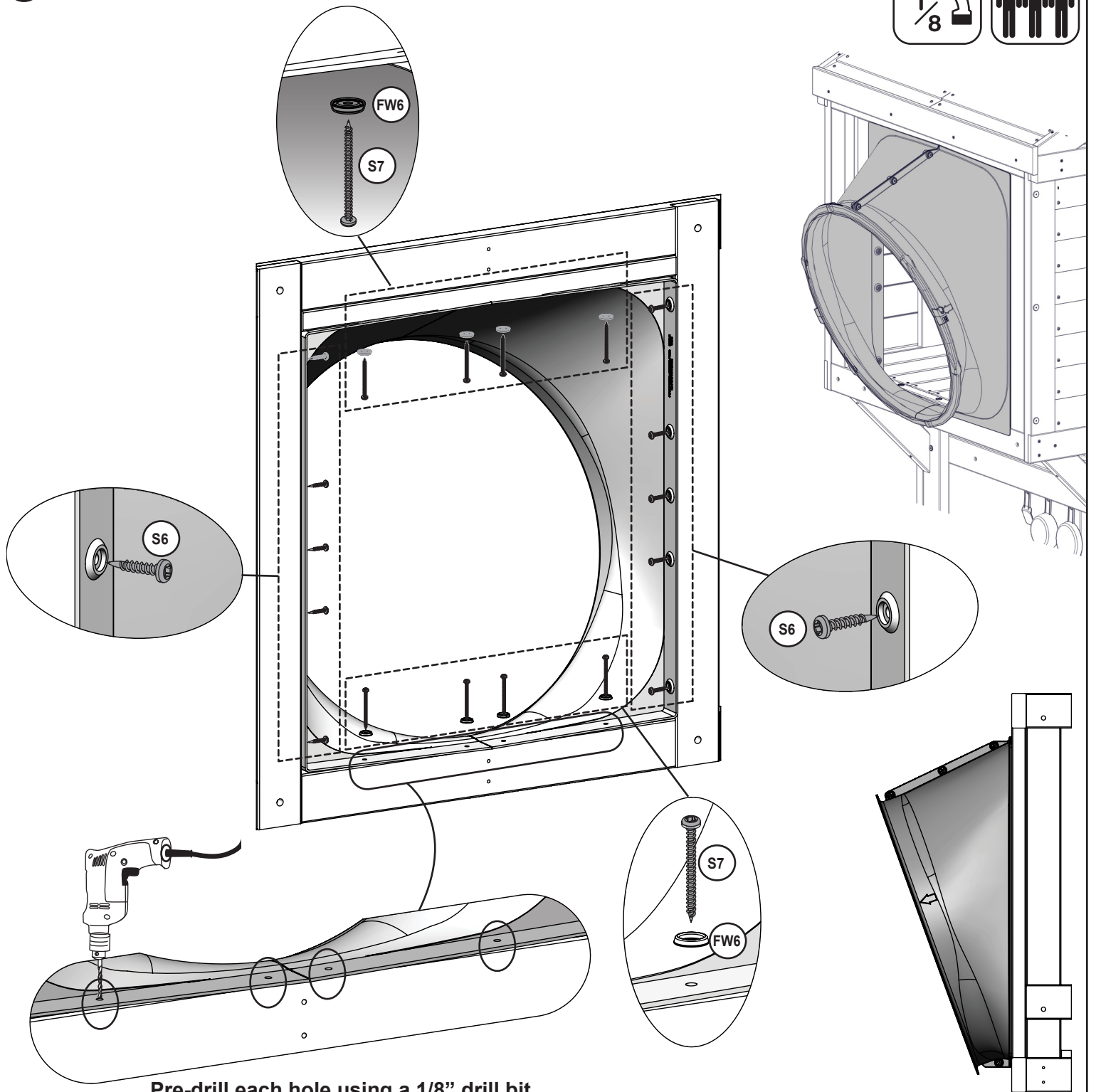
**Hardware**

8 x 6.3mm x 19 mm (1/4 x 3/4") (LN1)

**Other Parts**




- 1 x
- 1 x





Pre-drill each hole using a 1/8" drill bit.  
 Making sure the pre-drilled holes are a minimum of 1" deep.

**Hardware**

- 10 x  #12 x 25.4mm (#12 x 1")
- 8 x  #12 x 50.8mm (#12 x 2")
- 8 x  #12

europecustomerservice@kidkraft.com  
 +31 20 305 8620  
 M-F from 09:00 to 17:30 (GMT+1)

parts.kidkraft.eu



85

Note: Keep all bolts loose until further step.

Use Quadrex Driver as a guide pin for each hole before inserting bolt.

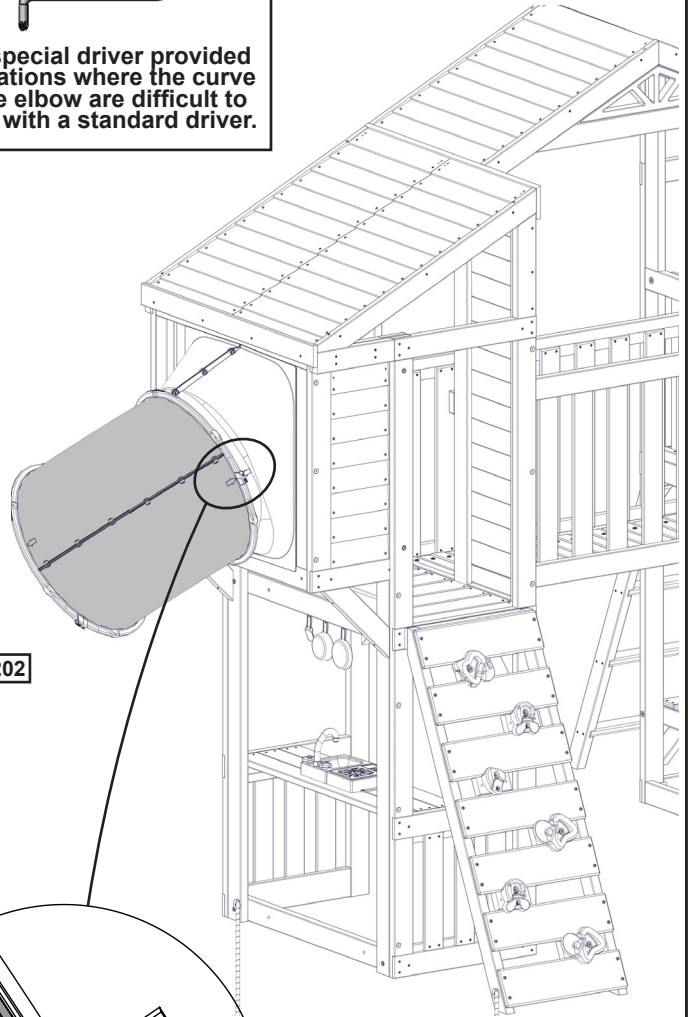
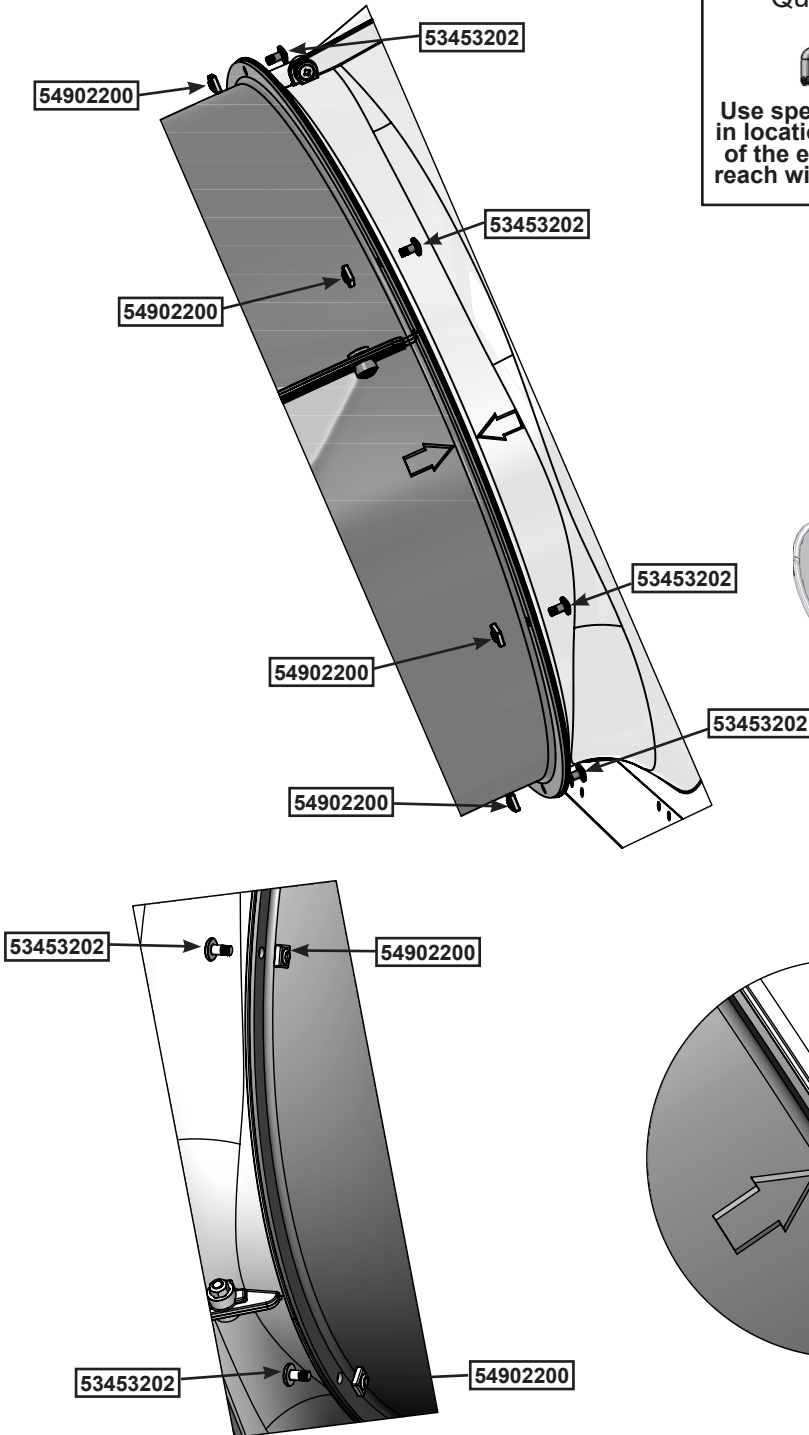
Align each elbow using the molded arrows.



Quadrex Driver



Use special driver provided in locations where the curve of the elbow are difficult to reach with a standard driver.



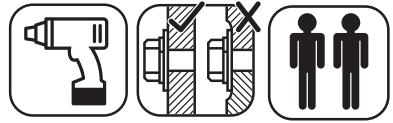
Align each elbow using the molded arrows.

**Other Parts**

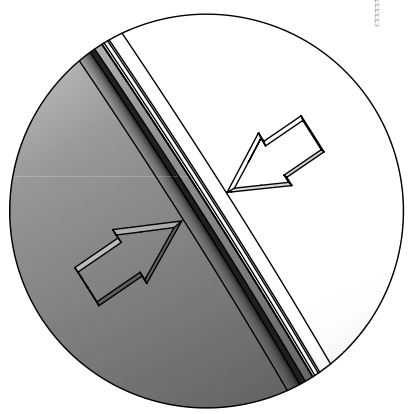
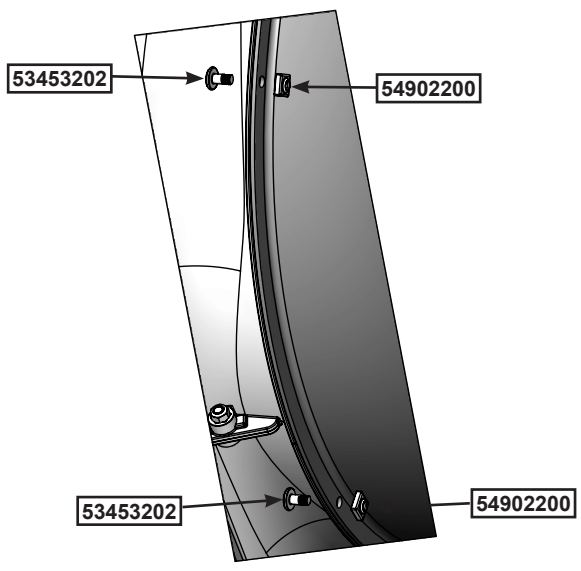
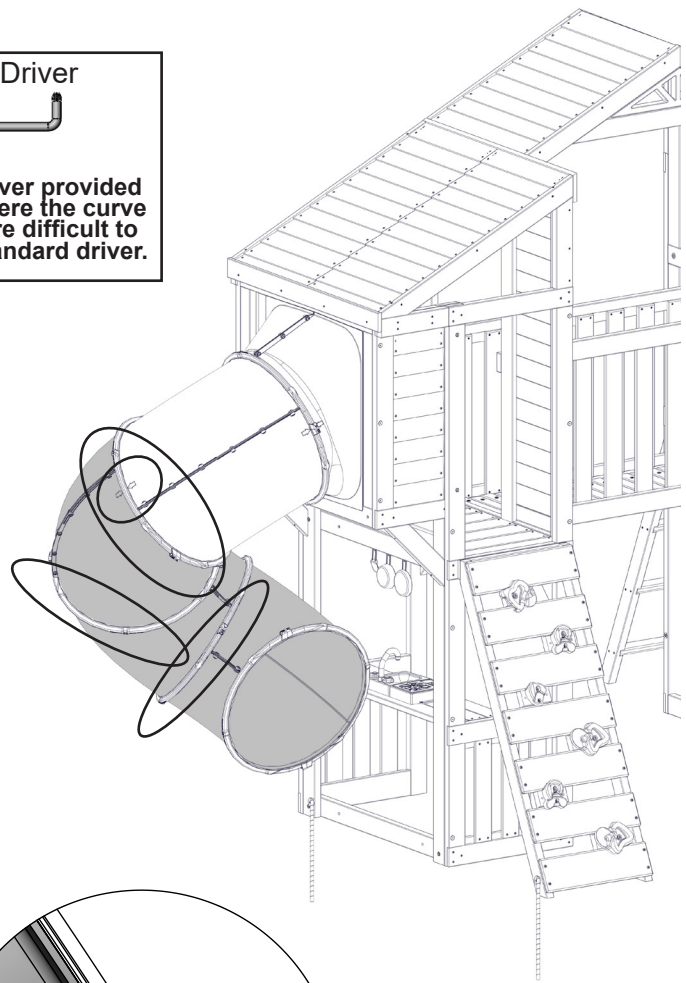
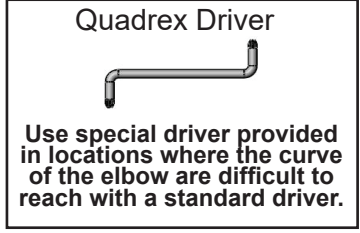
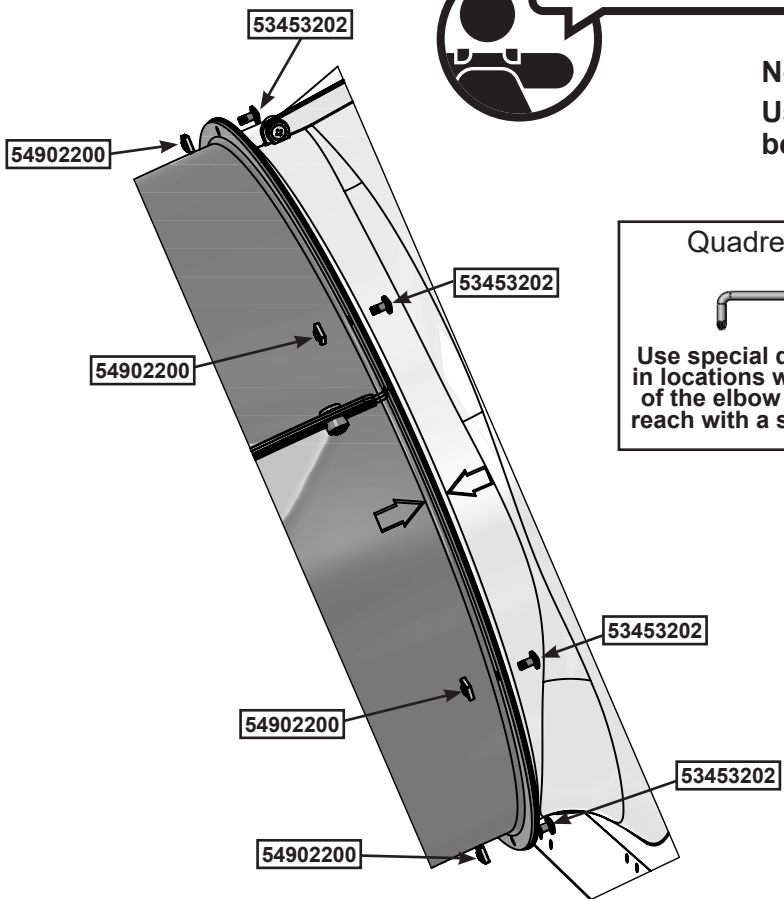
6 x 54902200

6 x 53453202 1/4" x 12.7mm

Complete this three times



Note: Keep all bolts loose until further step.  
Use Quadrex Driver as a guide pin for each hole before inserting bolt.



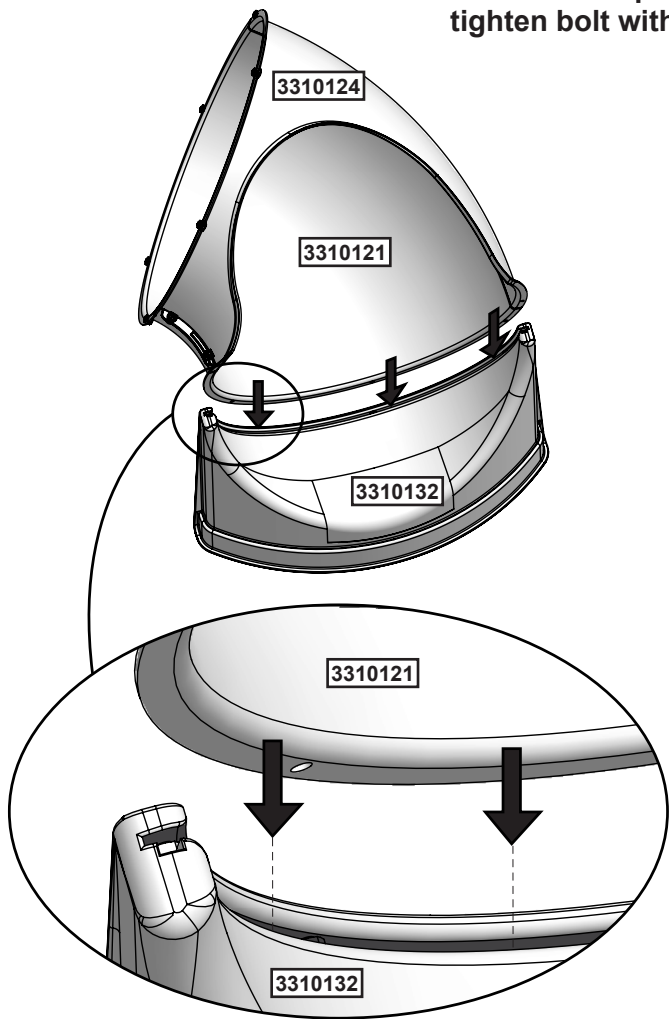
Align each elbow using the molded arrows.

Other Parts

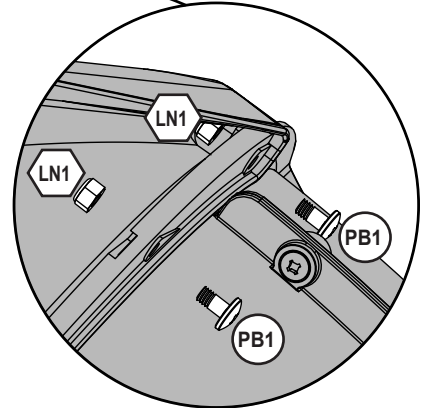
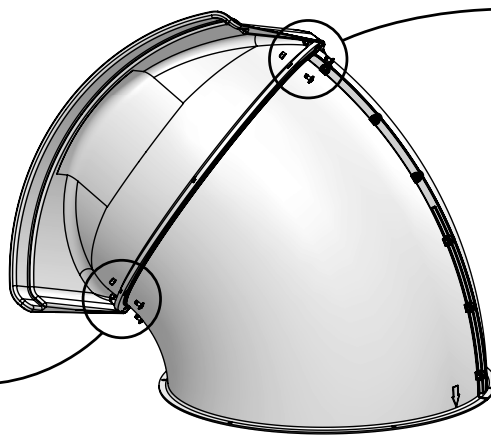
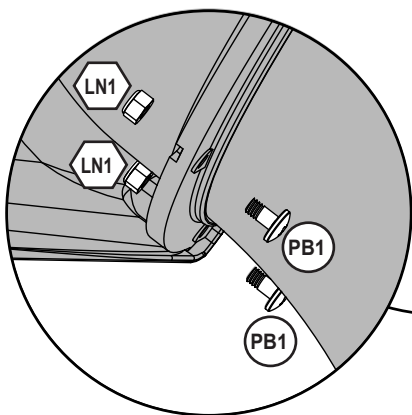
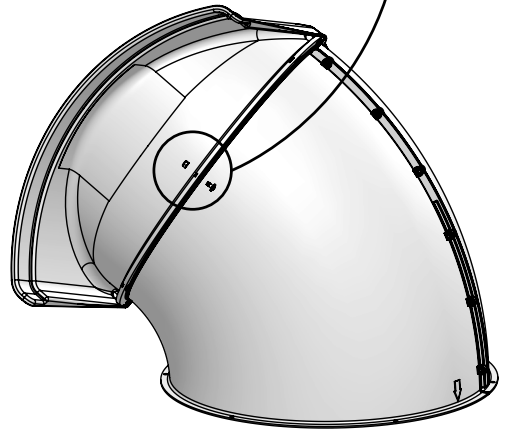
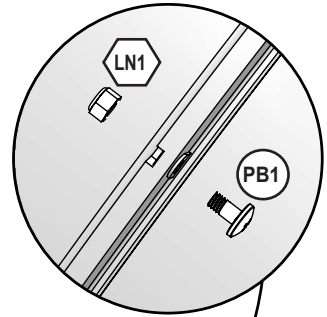
- 18 x 54902200
- 18 x 53453202 1/4" x 12.7mm



Use a 7/16" open end wrench to hold nut and then tighten bolt with Quadrex Driver.



Rotate Slide Exit



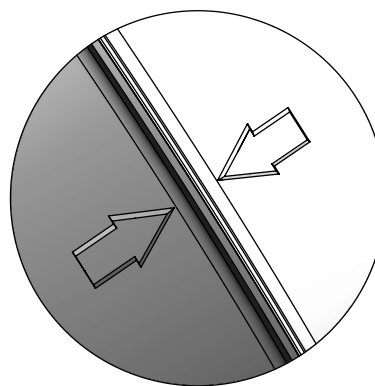
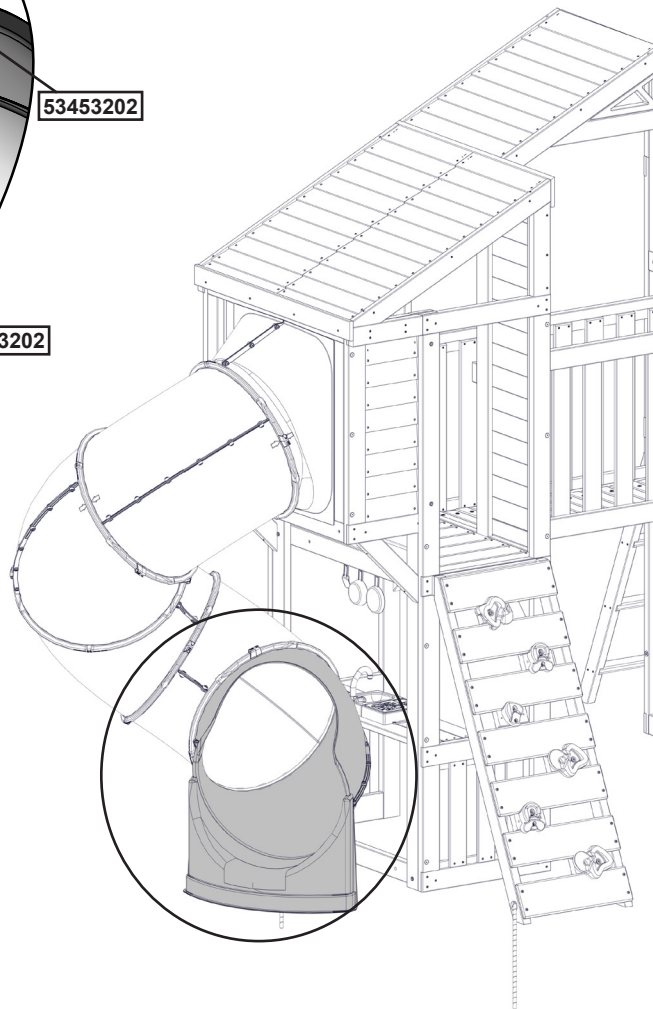
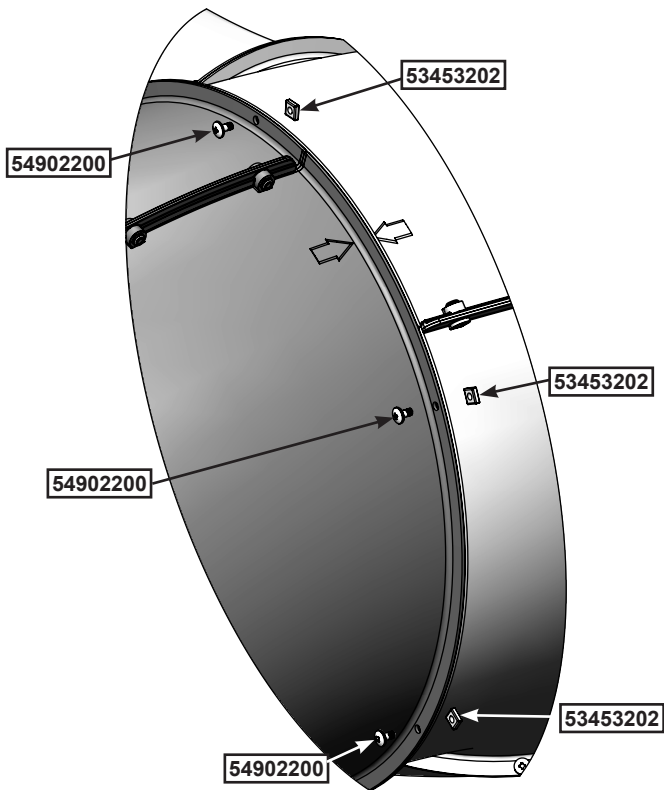
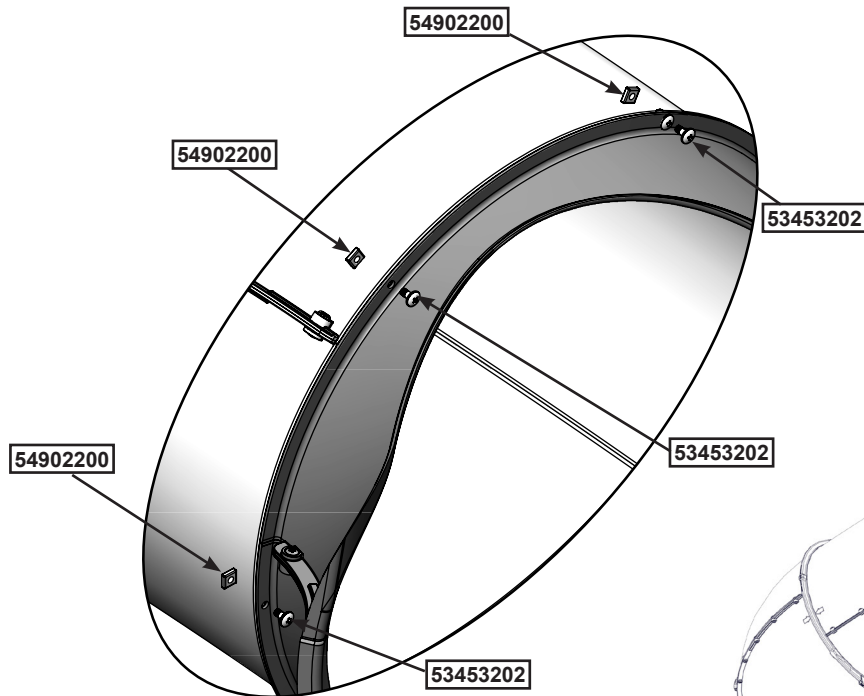
**Hardware**

5 x (PB1) 6.4mm x 19 mm (1/4 x 3/4") (LN1)

**Other Parts**

1 x 3310132

Tighten all slide bolts before the clamp rings go on in the next step.



Align each elbow using the molded arrows.

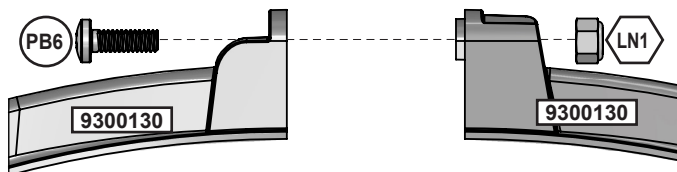
**Other Parts**

- 6 x 54902200
- 6 x 53453202 1/4" x 12.7mm

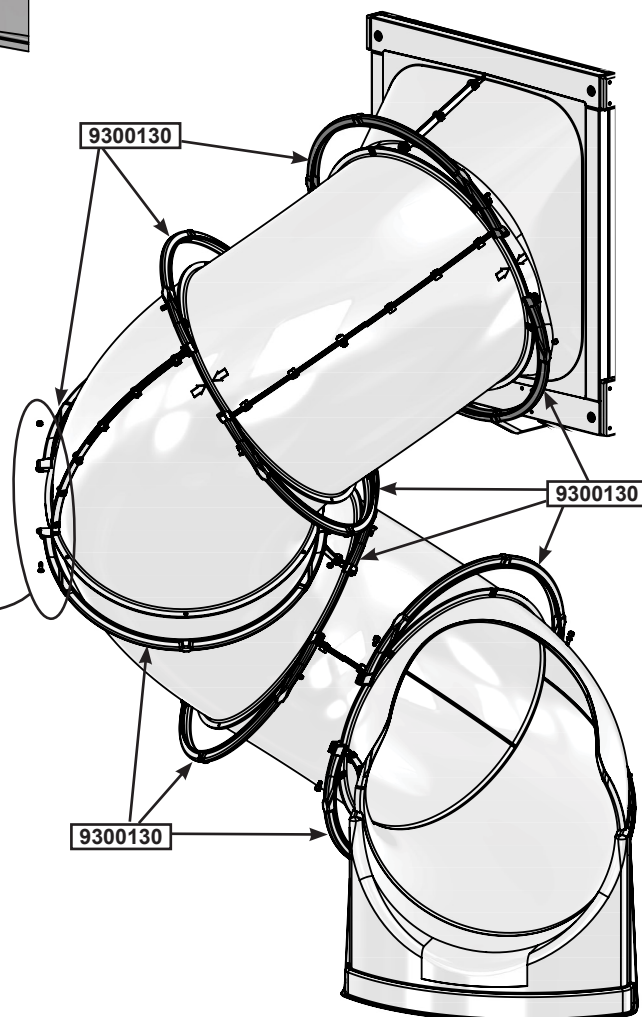
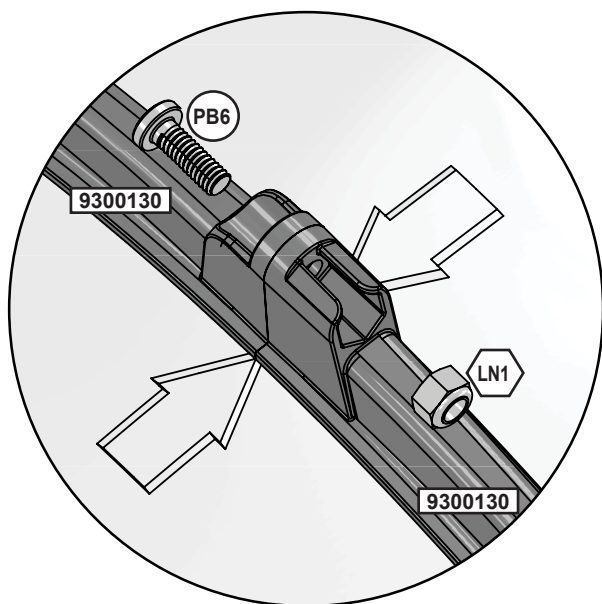




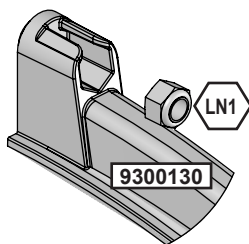
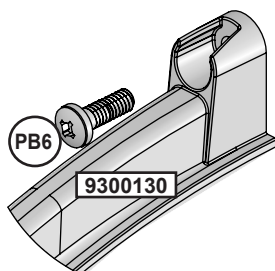
Warning. Do not over tighten the clamp rings.



After the clamp rings are attached to the elbows, fasten them end to end with two pan bolts and lock nuts



Note: For ease of assembly bottom set of clamp rings can be rotated 90 degrees to install bolts.

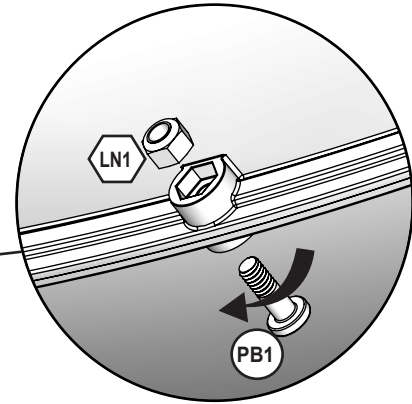
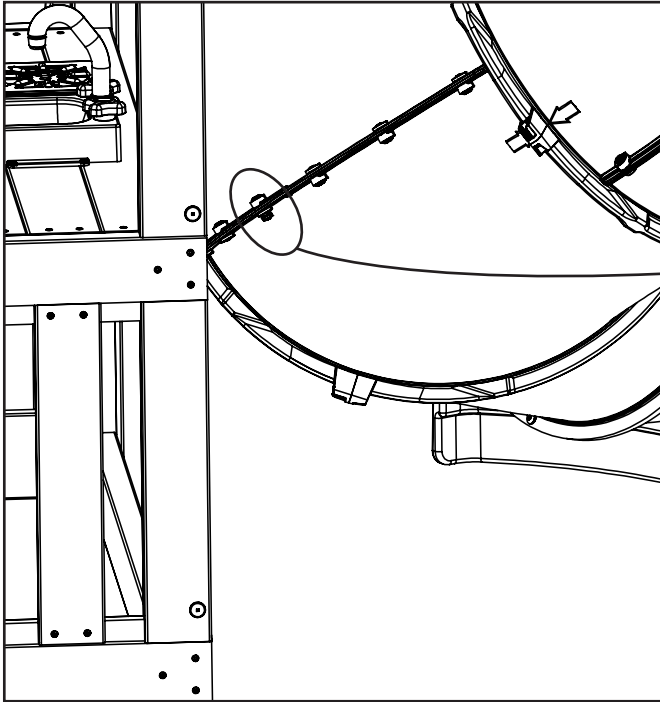


**Hardware**

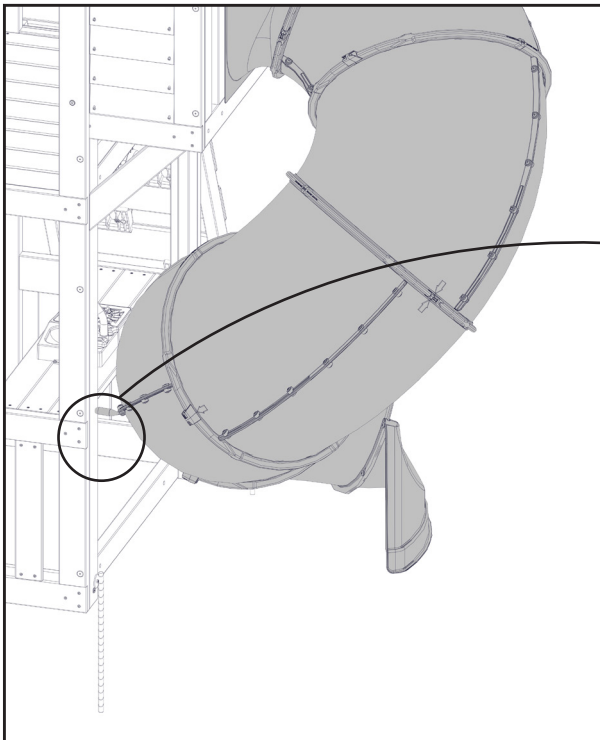
10 x (PB6) 6.4mm x 25.4 mm (1/4 x 1") (LN1)

**Other Parts**

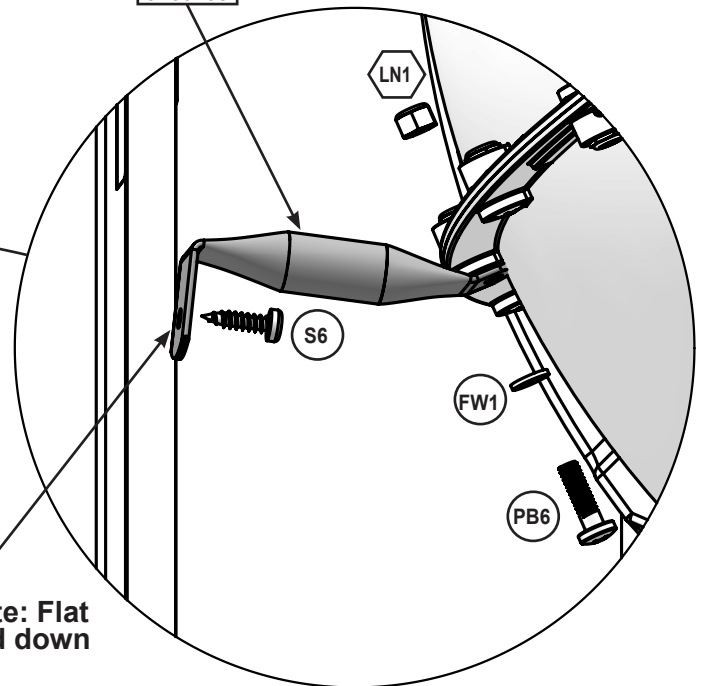
10 x 9300130



Remove PB1 (1/4 x 3/4" Pan Bolt), The bolt (PB1) will no longer be needed, but keep the lock nut (LN1)



9200158



Note: Flat end down

Install PB6 (1/4 x 1" Pan Bolt) with flat washer (FW1)

**Hardware**

- 1 x (PB6) 1/4 x 1" (6.4 x 25.4 mm) (FW1)
- 1 x (S6) #12 x 1" (#12 x 25.4 mm)

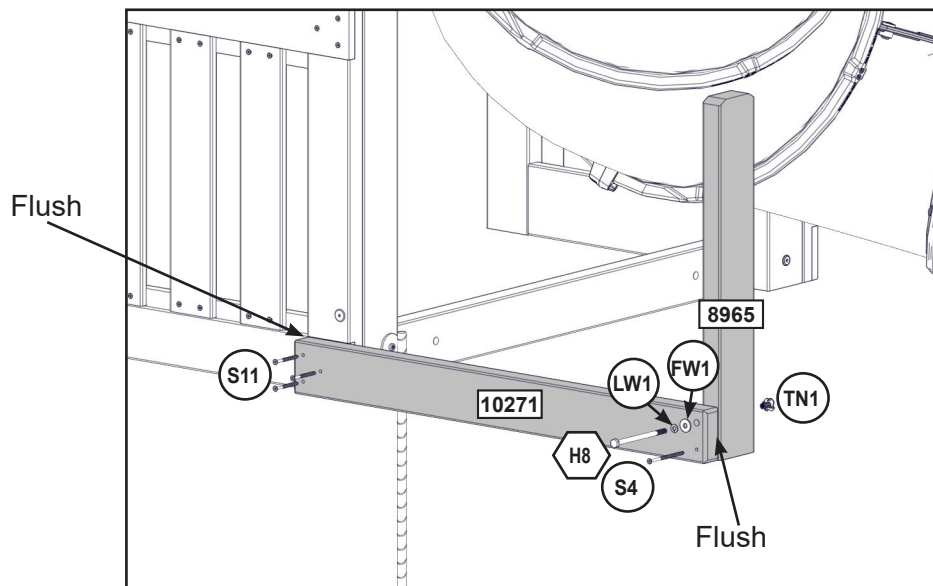
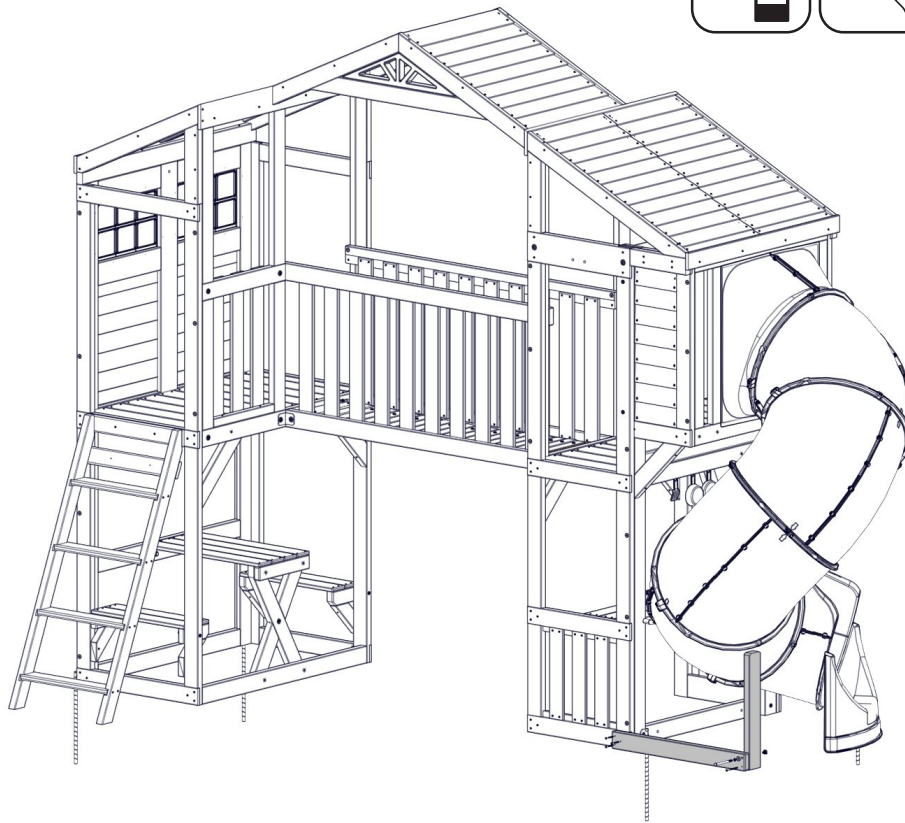
**Other Parts**

- 1 x 9200158



91

Assemble T-Nuts first with hammer!



**Wood Parts**

- 1 x 10271 31.8 x 76.2 x 749.6mm (1 1/4" x 3" x 29 1/2")
- 1 x 8965 31.75 x 76.2 x 514.4mm (1 1/4" x 3" x 20 1/4")

**Hardware**

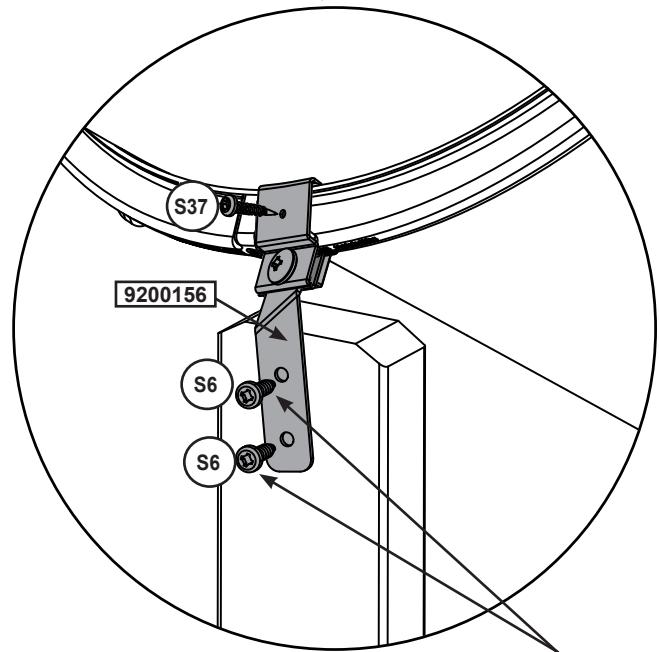
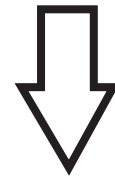
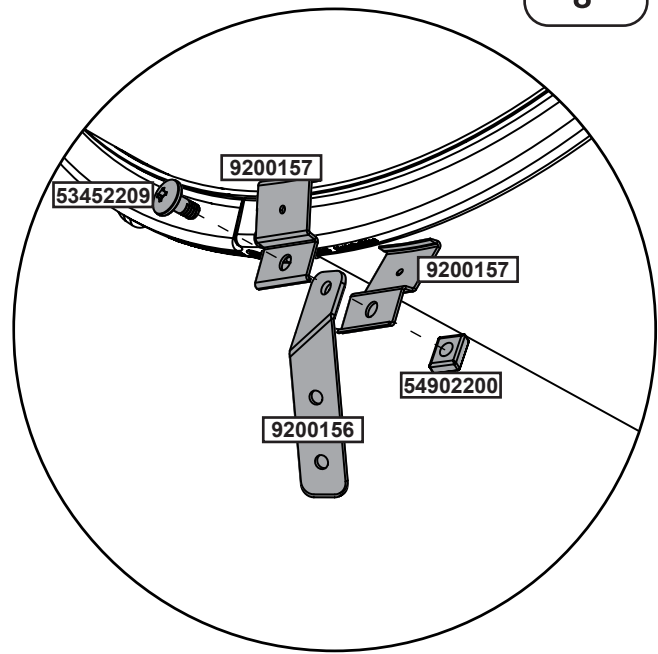
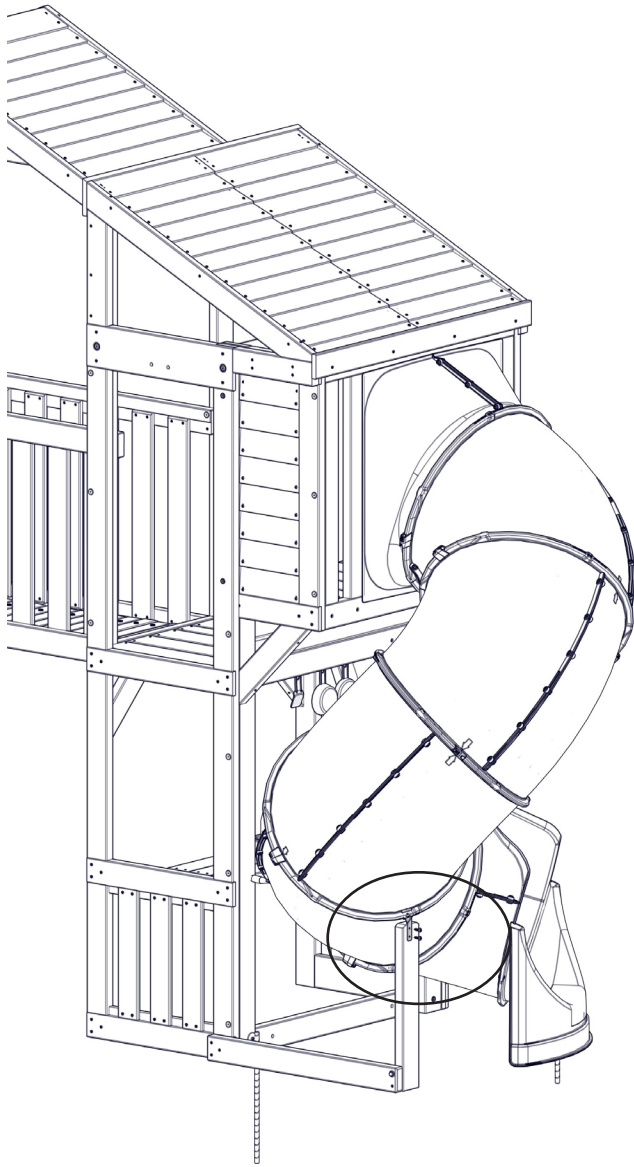
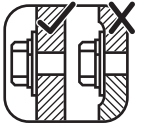
- 3 x S11 #8 x 50.8mm (#8 x 2")
- 1 x S4 #8 x 76.2mm (#8 x 3")
- 1 x H8 6.4mm x 108mm (1/4 x 4-1/4")(FW1, LW1, TN1)



parts.kidkraft.com

customerservice@kidkraft.com  
 1.800.933.0771  
 972.385.0100





Pre-drill with a 1/8" drill bit.

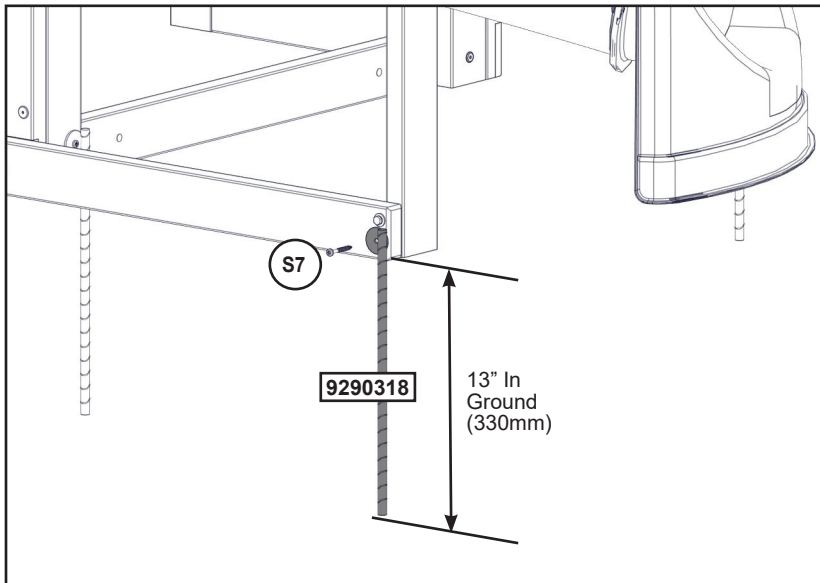
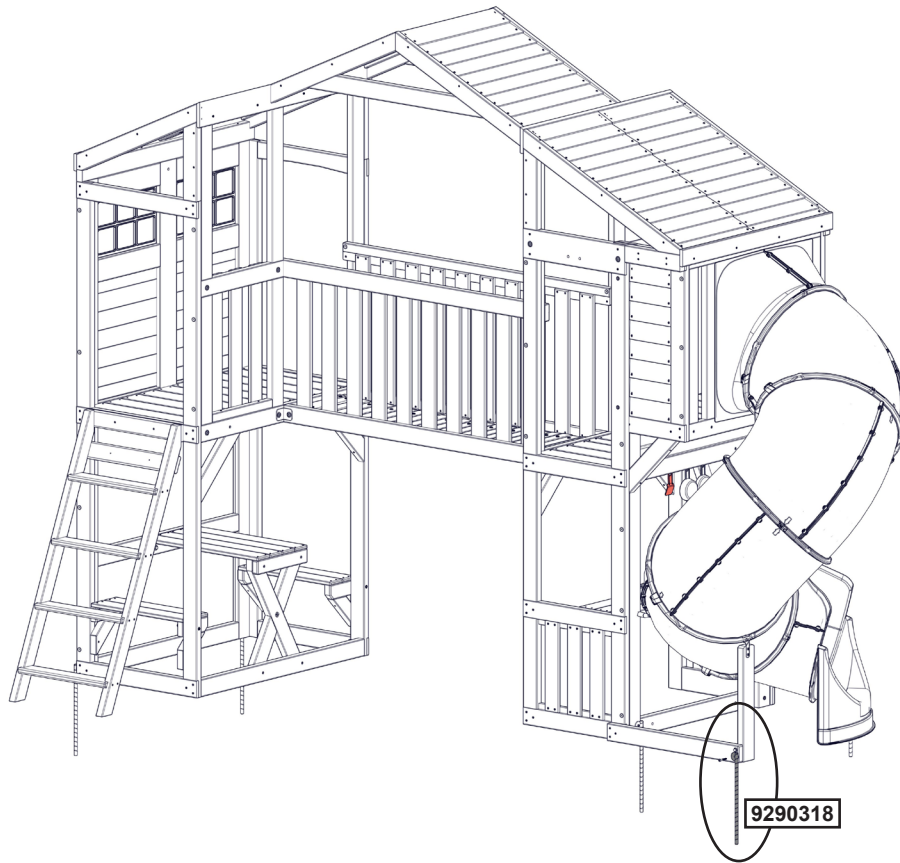
**Hardware**

- 1 x S37 #7 x 15.87mm (#7 x 5/8")
- 2 x S6 #12 x 25.4mm (#12 x 1")

**Other Parts**

- 1 x 54902200    2 x 9200157
- 1 x 9200156    1 x 53452209 1/4 x 14.5mm





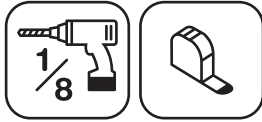
**Warning!** To prevent tipping and avoid potential injury, stakes must be driven 13”(330mm) into ground. Digging or driving stakes can be dangerous if you do not check first for under-ground wiring, cables or gas lines.

**Hardware**

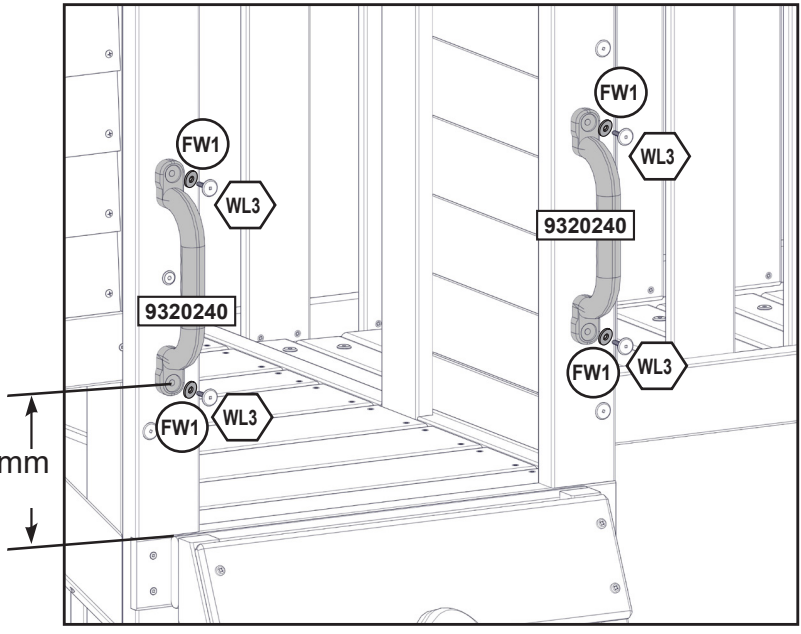
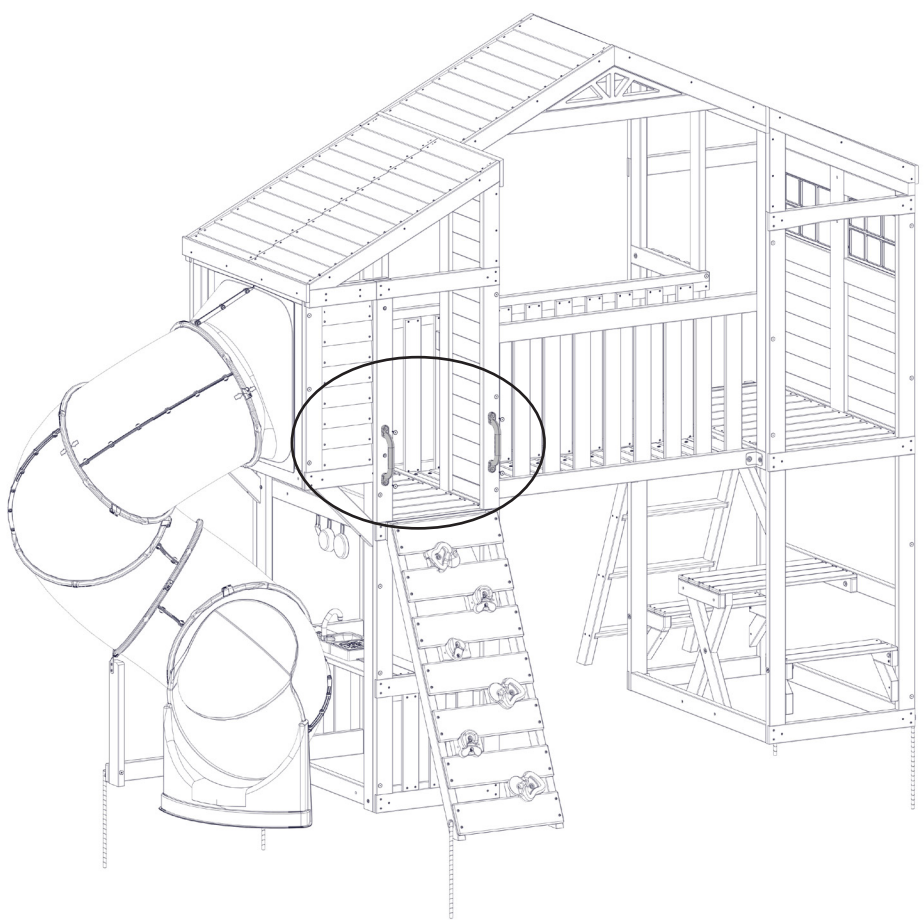
1 x **S7** #12 x 50.8mm (#12 x 2”)

**Other Parts**

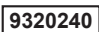
1 x **9290318**



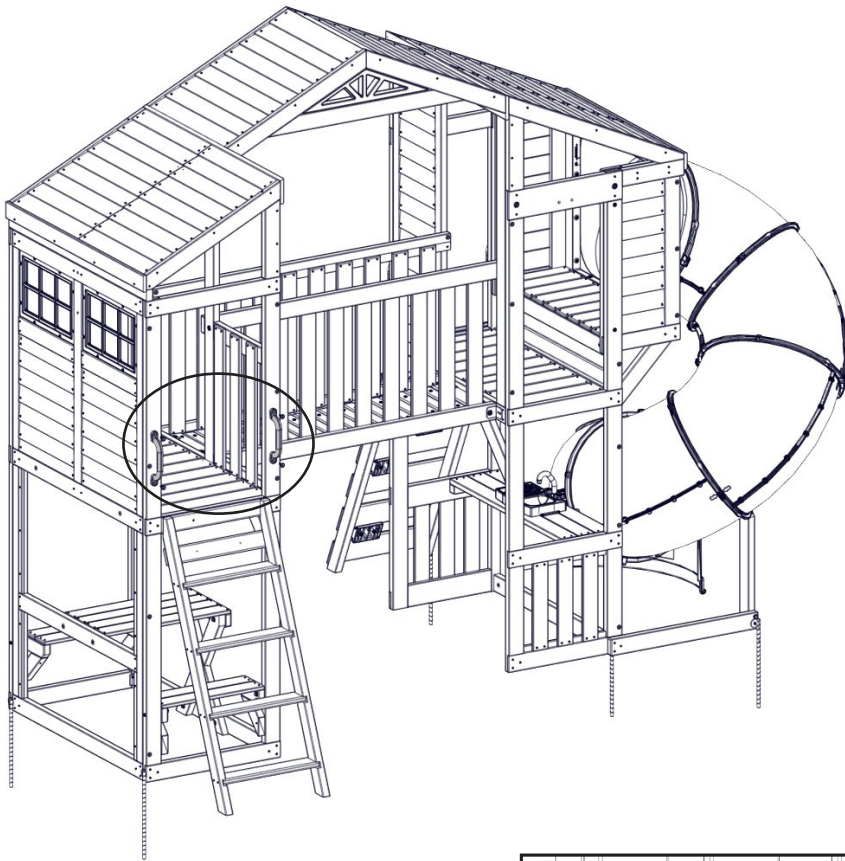
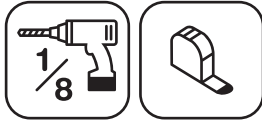
Pre-drill holes using a 1/8" drill bit.



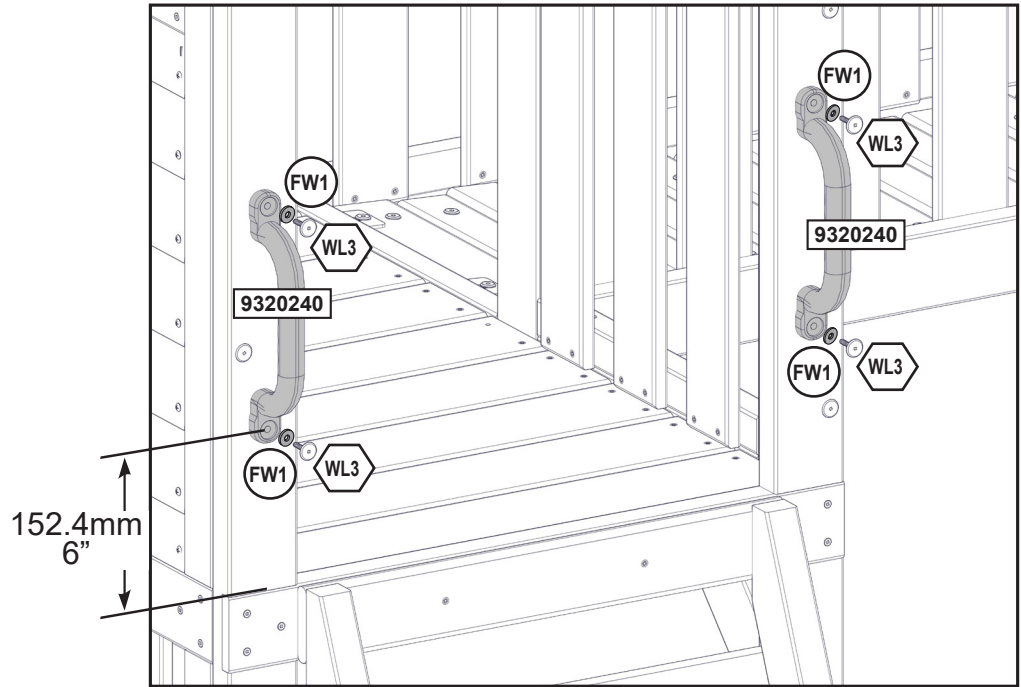
- Hardware**
- 4 x  6.4mm x 34.9mm (1/4 x 1-3/8")
  - 4 x 

- Other Parts**
- 2 x 





Pre-drill holes using a 1/8" drill bit.



**Hardware**

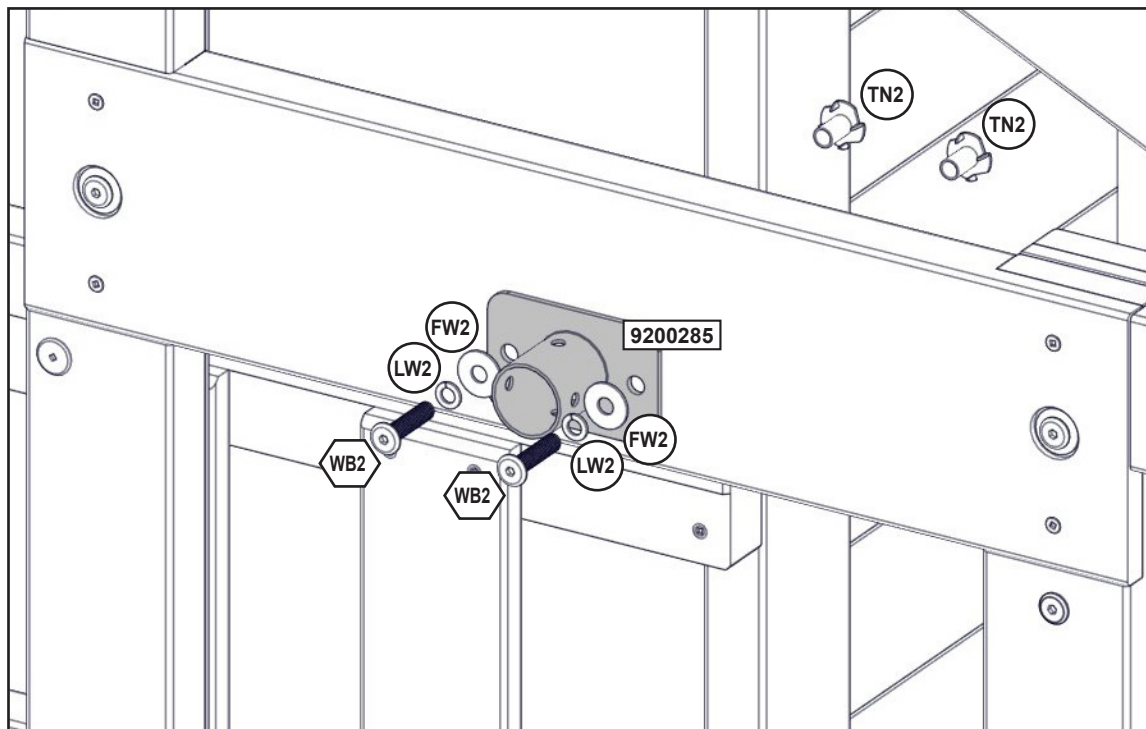
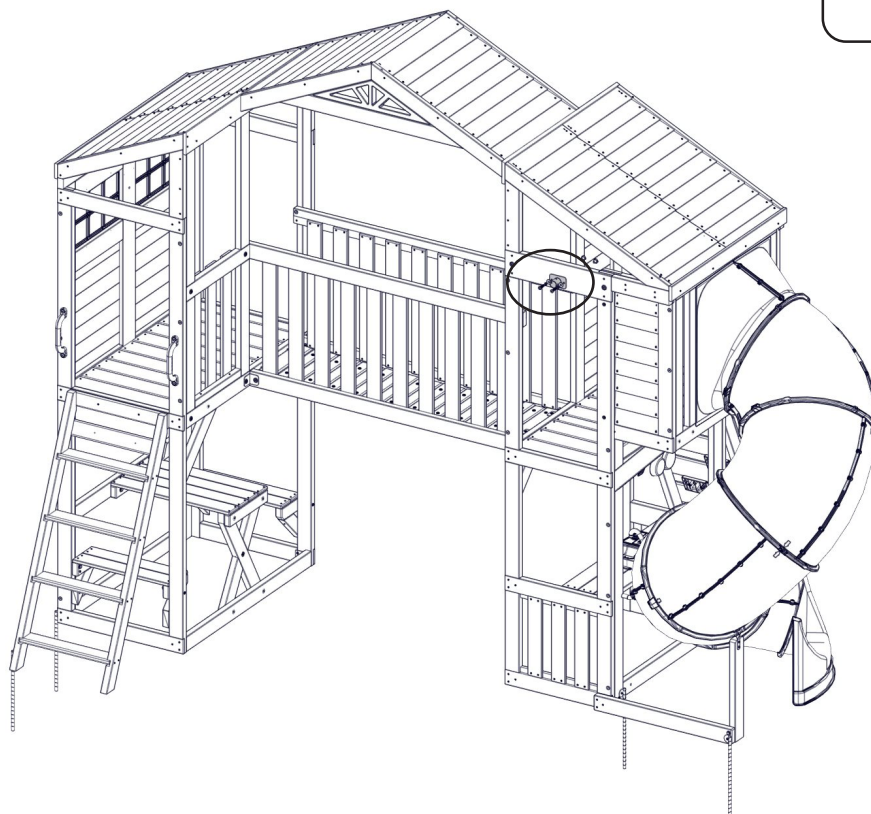
- 4 x 6.4mm x 34.9mm (1/4 x 1-3/8")
- 4 x

**Other Parts**

- 2 x

96

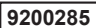
Assemble T-Nuts first with hammer!



**Hardware**

2 x  7.9mm x 34.9 mm (5/16 x 1-3/8") (FW2, LW2, TN2)

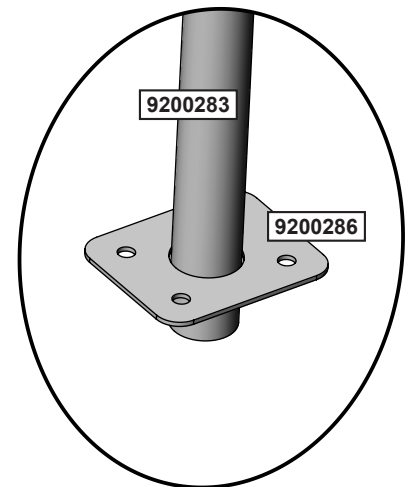
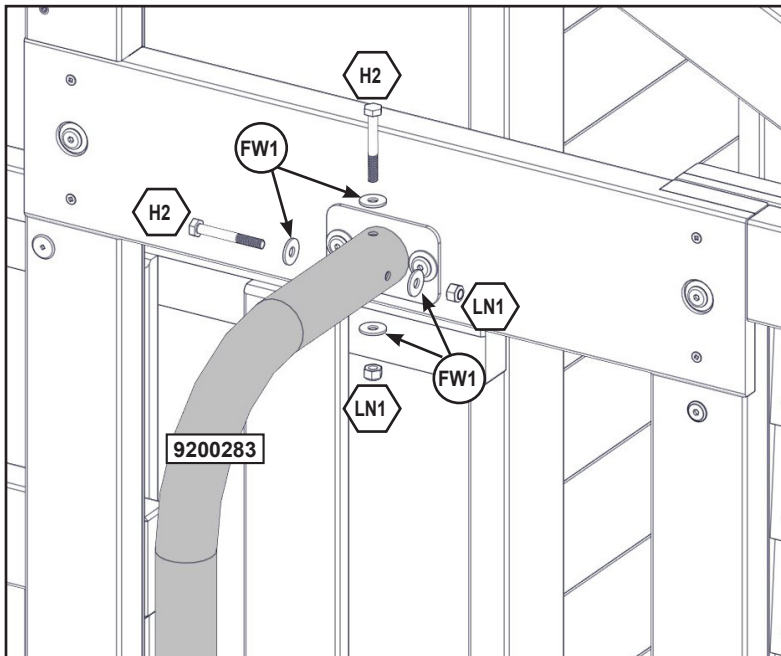
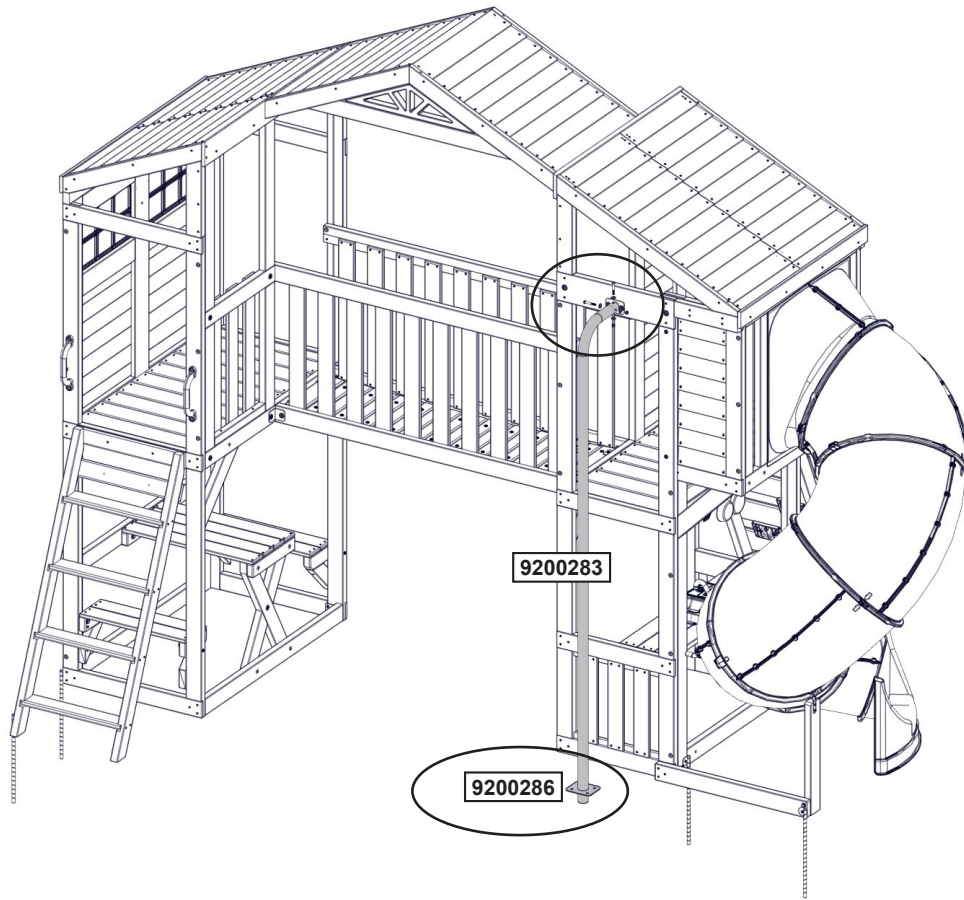
**Other Parts**

1 x 

europecustomerservice@kidkraft.com  
+31 20 305 8620  
M-F from 09:00 to 17:30 (GMT+1)

parts.kidkraft.eu





Make sure the Fireman Pole is straight and that the bottom of the pole is inserted into the ground as needed.



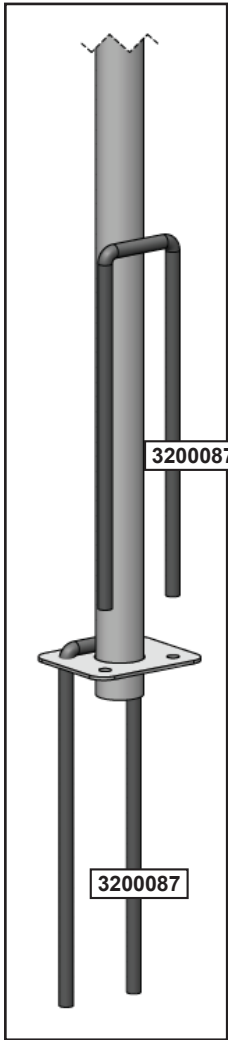
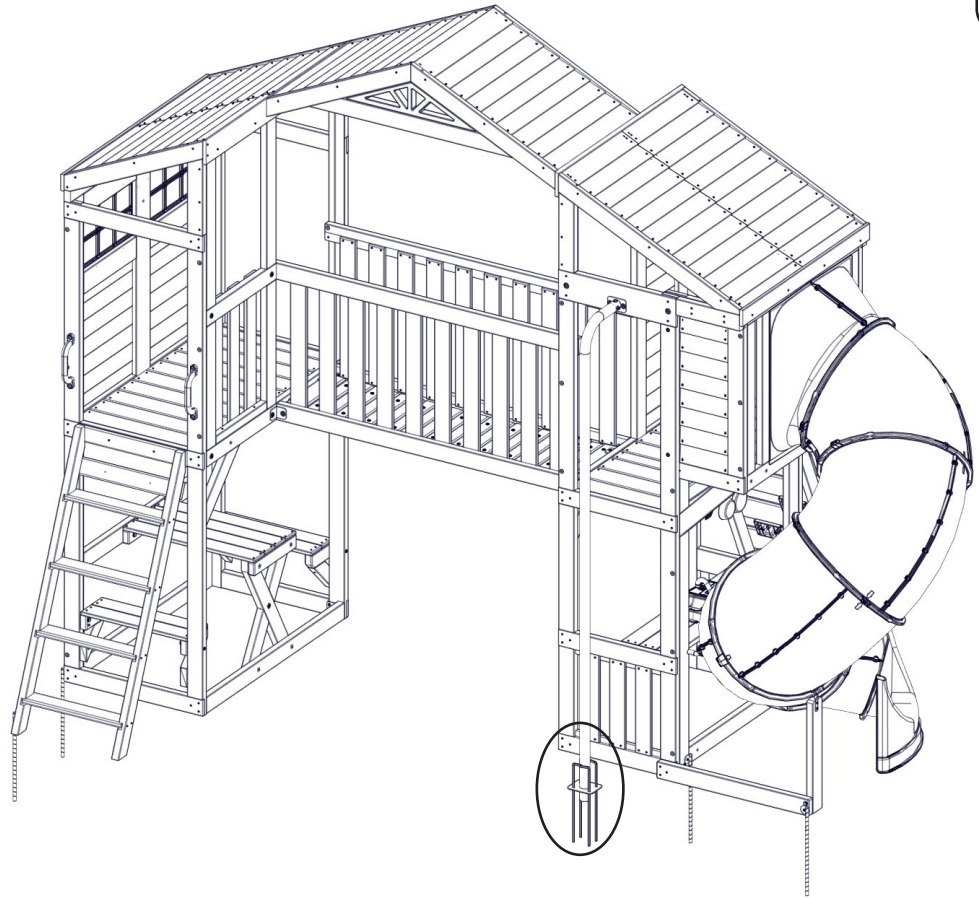
**Hardware**

2 x 6.4mm x 50.8mm (1/4 x 2") (2xFW1, LN1)

**Other Parts**

1 x

1 x



3200087

3200087

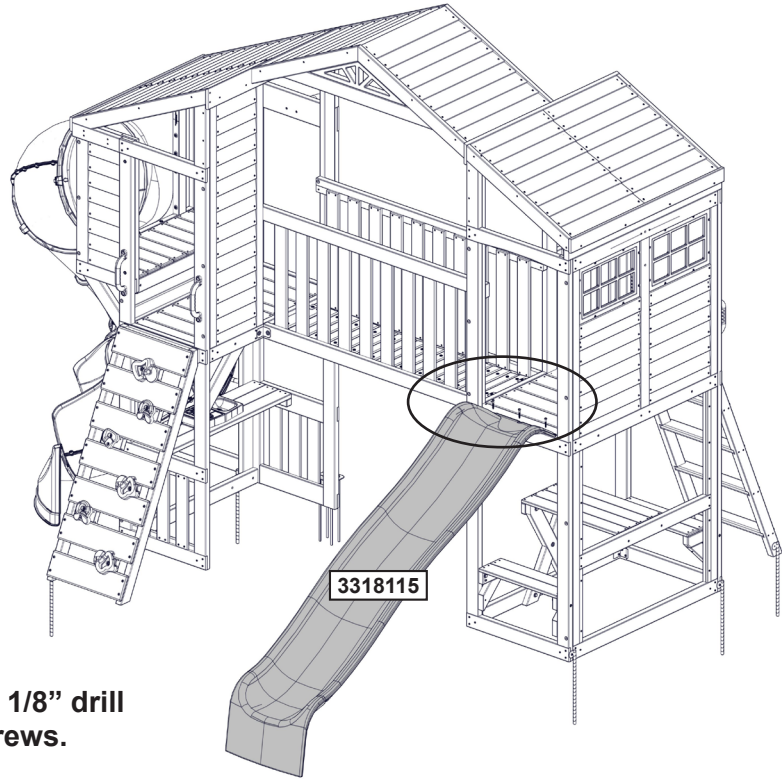
Hammer U-Style Ground Stakes into the holes in the plate until they are fully anchored into the ground.



Other Parts

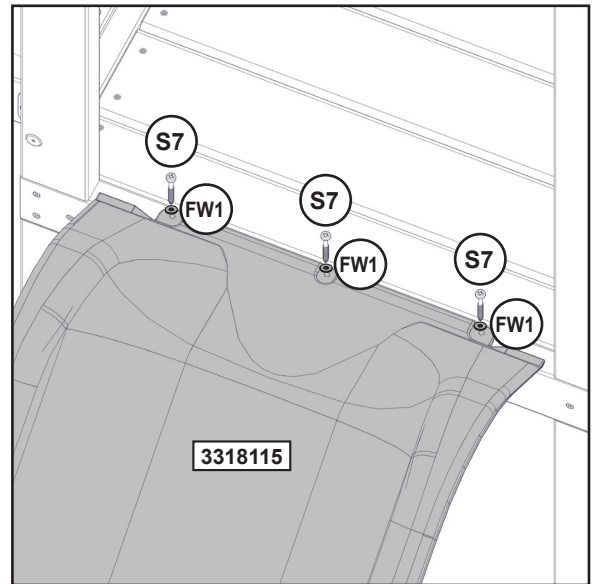
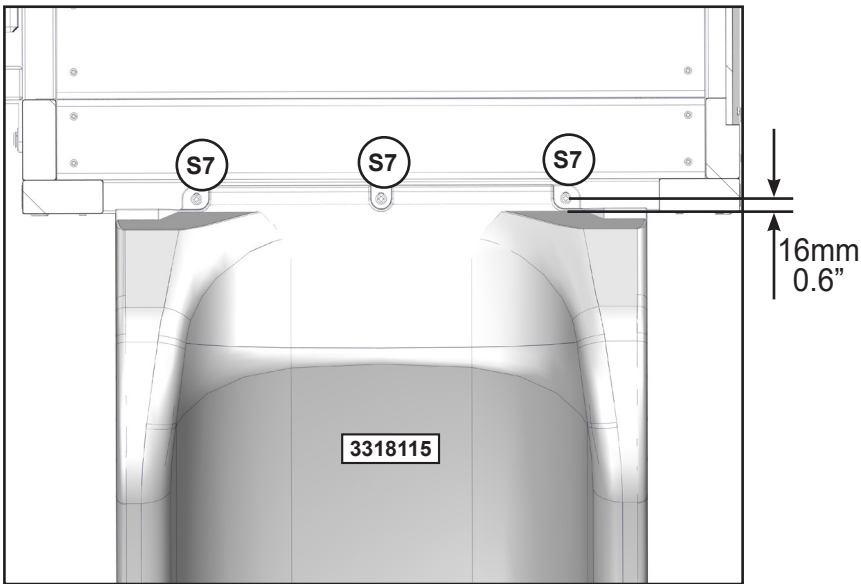
1 x 3200087 (2pk)





**Note: Pre-drill all holes using a 1/8" drill bit before installing the pan screws.**

**Place Slide centered in the opening.**



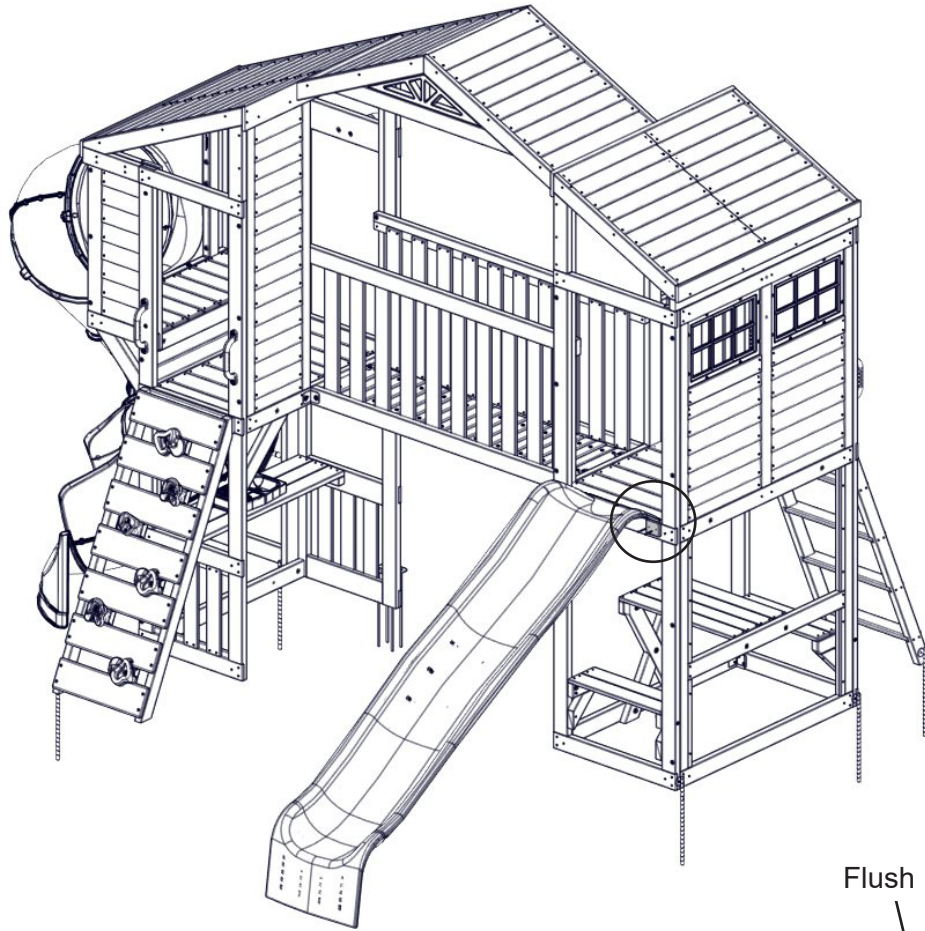
**Hardware**

- 3 x **S7** #12 x 2" (50.8 mm)
- 3 x **FW1**

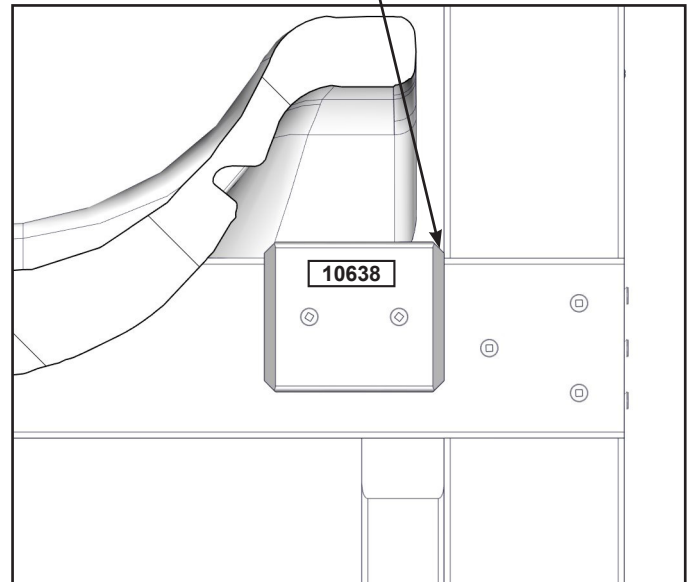
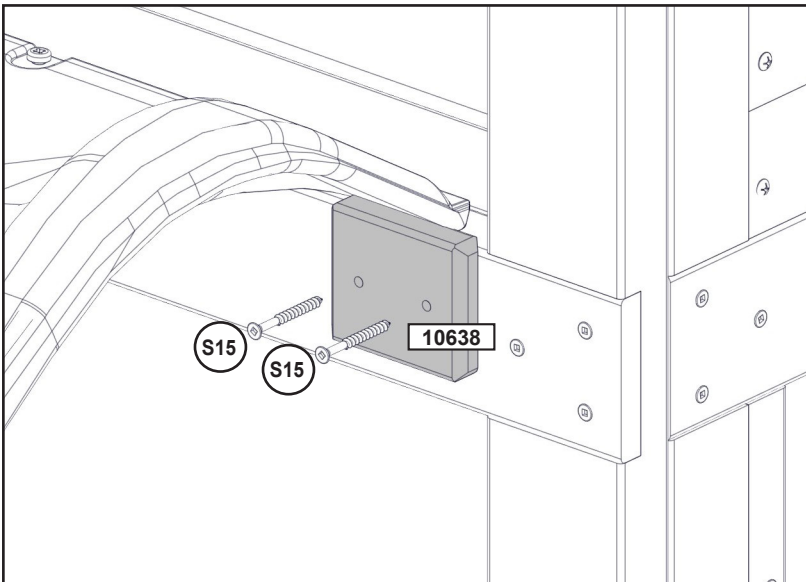
**Other Parts**

- 1 x **3318115**





Flush



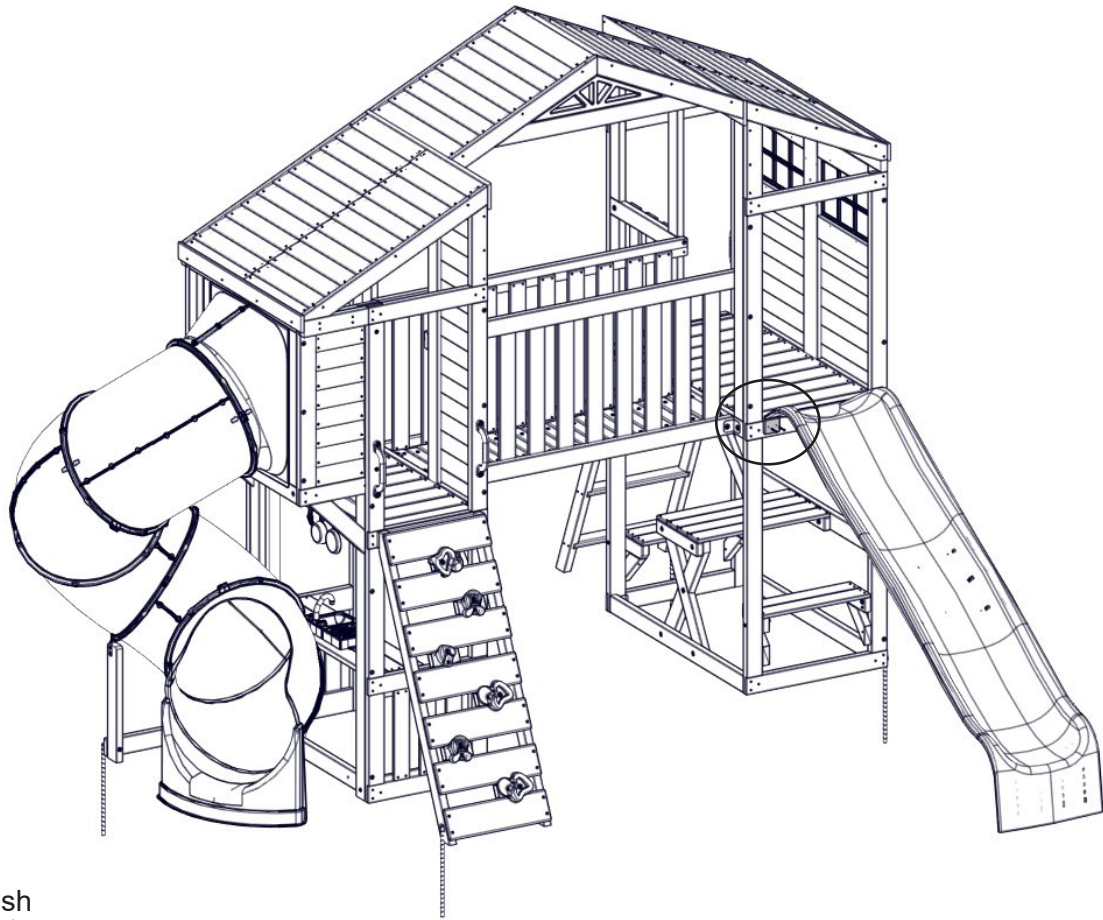
**Wood Parts**

1 x **10638** 15.9 x 63.5 x 76.2mm (5/8" x 2 1/2" x 3")

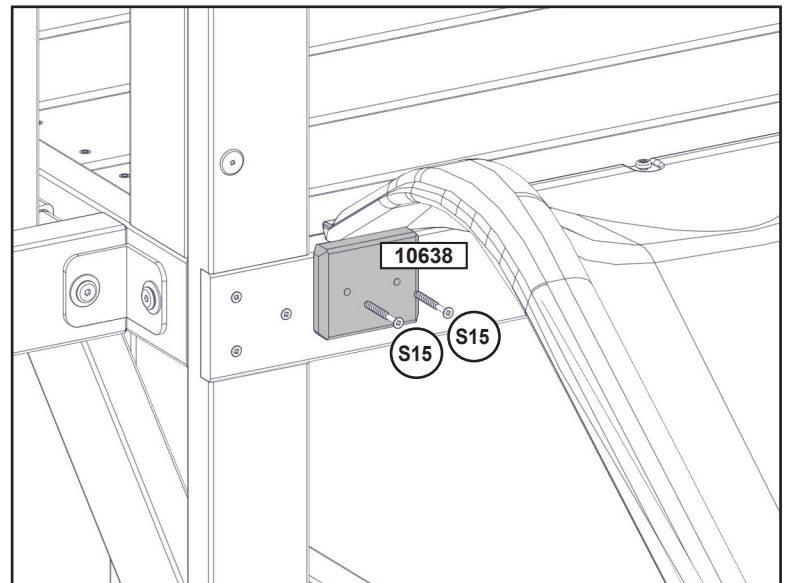
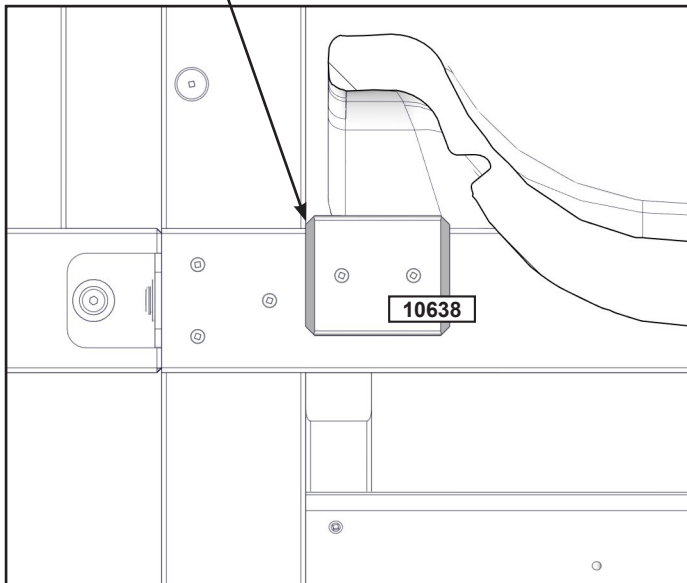
**Hardware**

2 x **S15** #8 x 44.5mm (#8 x 1-3/4")





Flush



**Wood Parts**

1 x 10638 15.9 x 63.5 x 76.2mm (5/8" x 2 1/2" x 3")

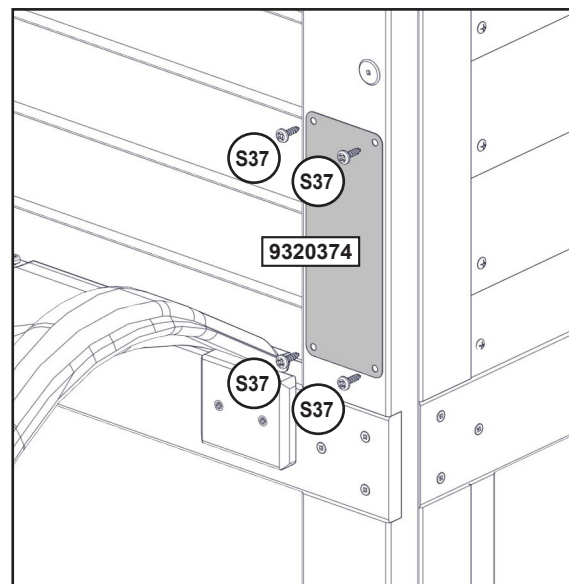
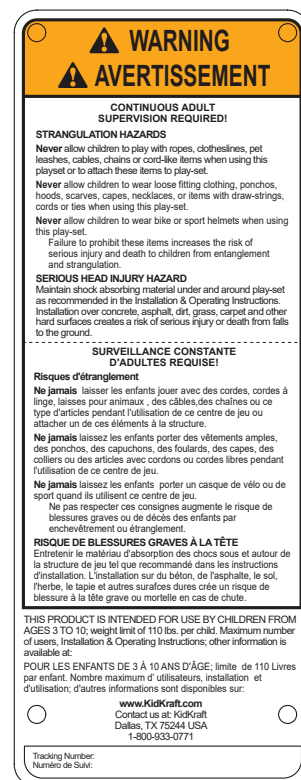
**Hardware**

2 x S15 #8 x 44.5mm (#8 x 1-3/4")



## ATTACH THIS WARNING & I.D. PLAQUE TO THIS LOCATION ON YOUR PLAY EQUIPMENT!

This provides warnings concerning safety and important contact information. A Tracking Number is provided to allow you to get critical information or order replacement parts for this specific model.



### Hardware

4 x #7 x 15.87mm (#7 x 5/8")

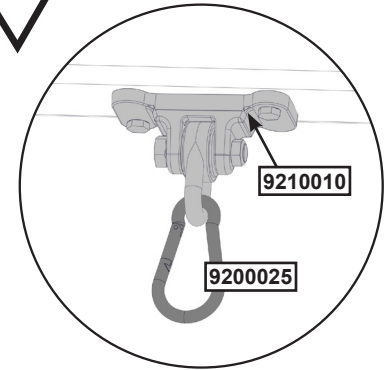
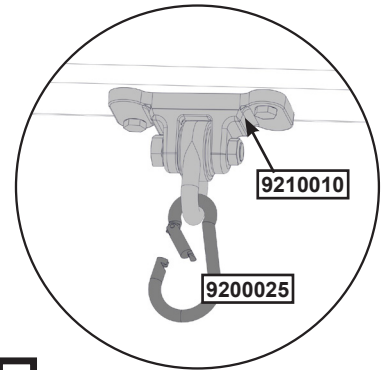
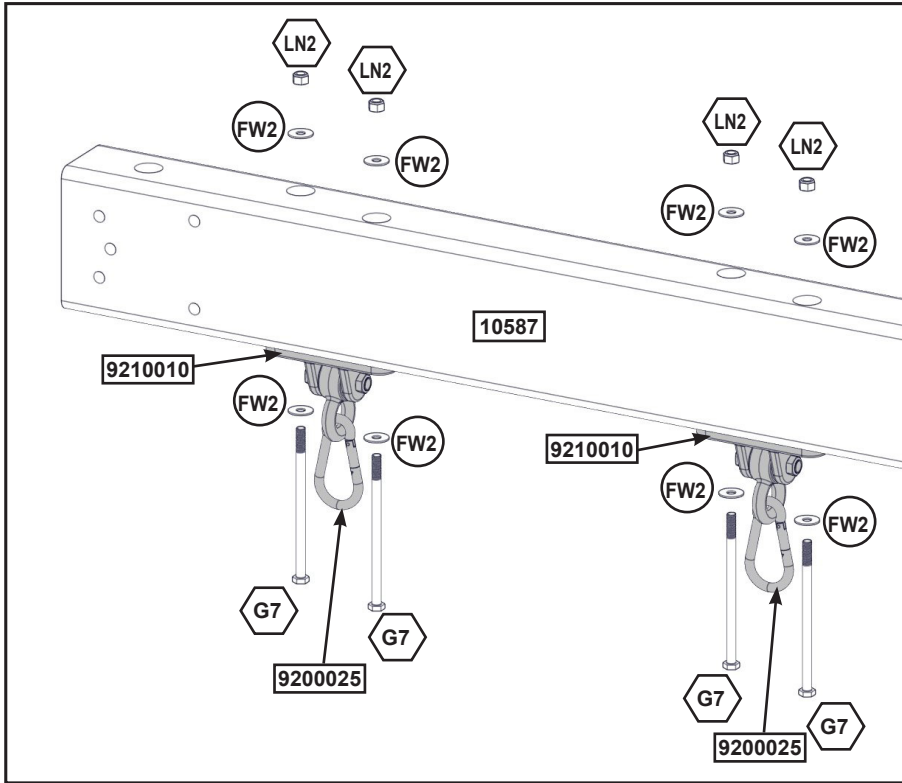
### Other Parts

1 x 9320374

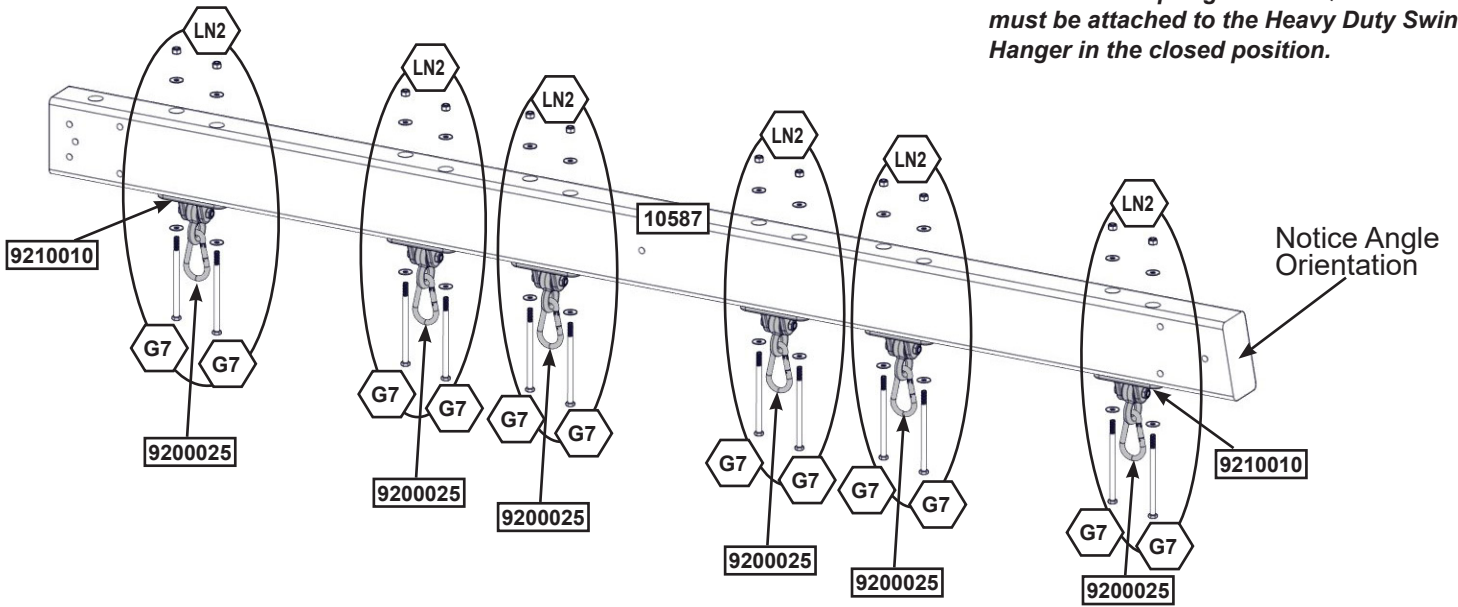
europecustomerservice@kidkraft.com  
+31 20 305 8620  
M-F from 09:00 to 17:30 (GMT+1)

parts.kidkraft.eu





**Caution:** The Spring Loaded Quick Link must be attached to the Heavy Duty Swing Hanger in the closed position.



**Wood Parts**

1 x 10587 76.2 x 133.4 x 2235.2mm (3" x 5 1/4" x 88")

**Hardware**

12 x G7 7.9mm x 139.7 mm (5/16 x 5-1/2") (LN2, 2 x FW2)

**Other Parts**

6 x 9210010  
6 x 9200025



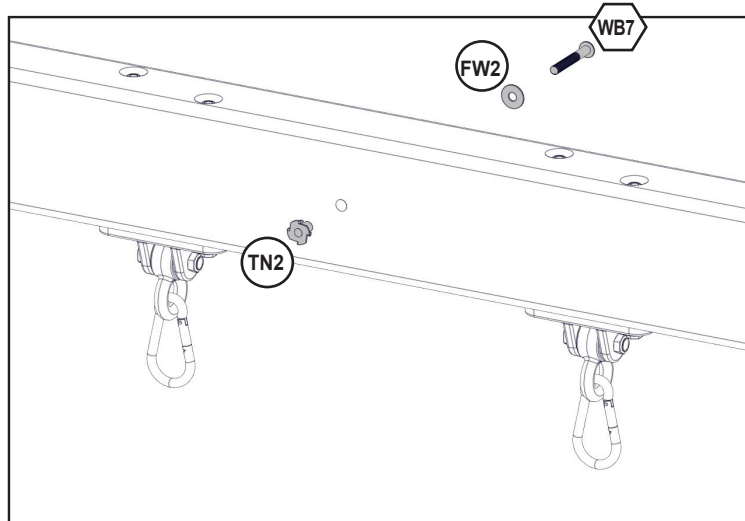
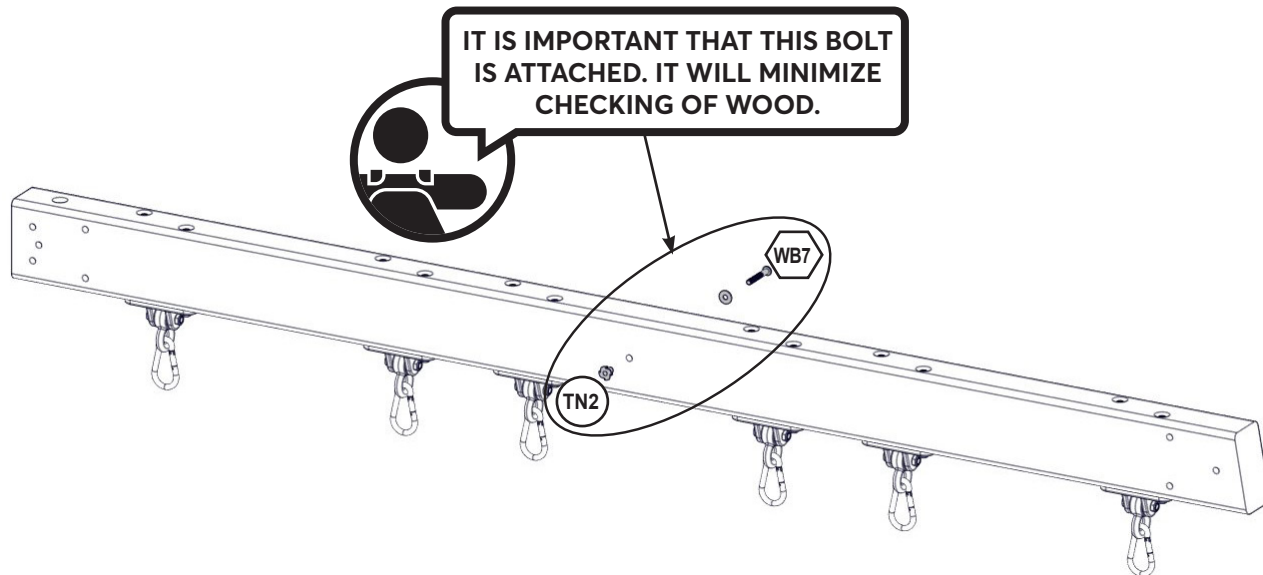
parts.kidkraft.com

customerservice@kidkraft.com  
1.800.933.0771  
972.385.0100



**Assemble T-Nuts first with hammer!**

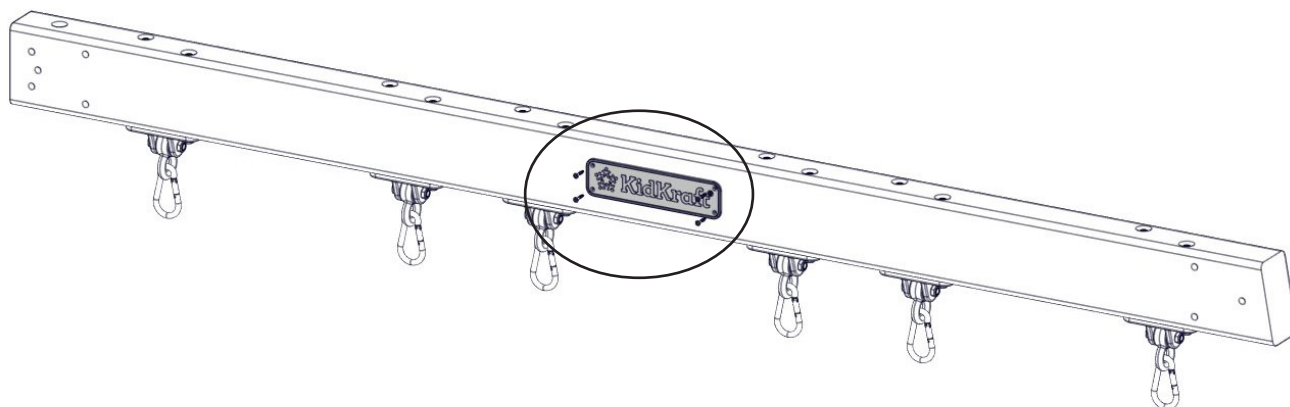
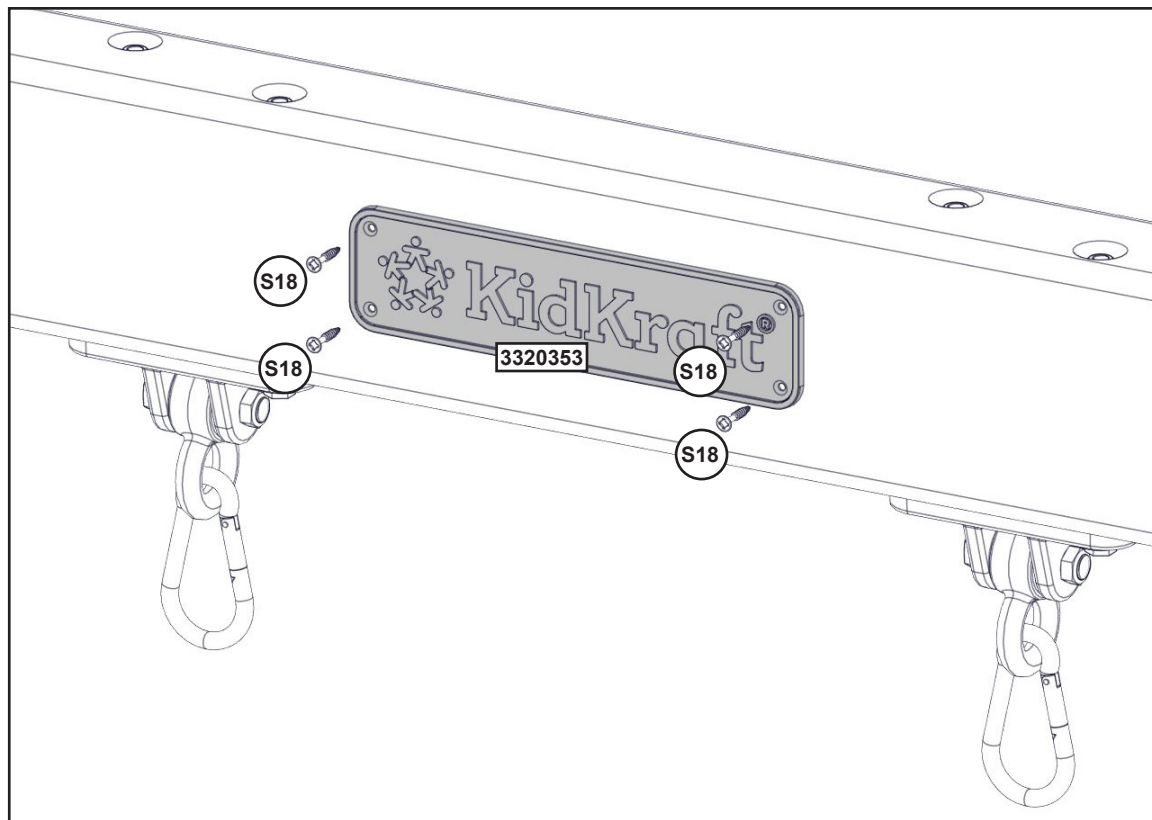
**IT IS IMPORTANT THAT THIS BOLT IS ATTACHED. IT WILL MINIMIZE CHECKING OF WOOD.**



**Hardware**

1 x  7.9mm x 76.2mm (5/16 x 3") ( FW2 , TN2 )





**Hardware**

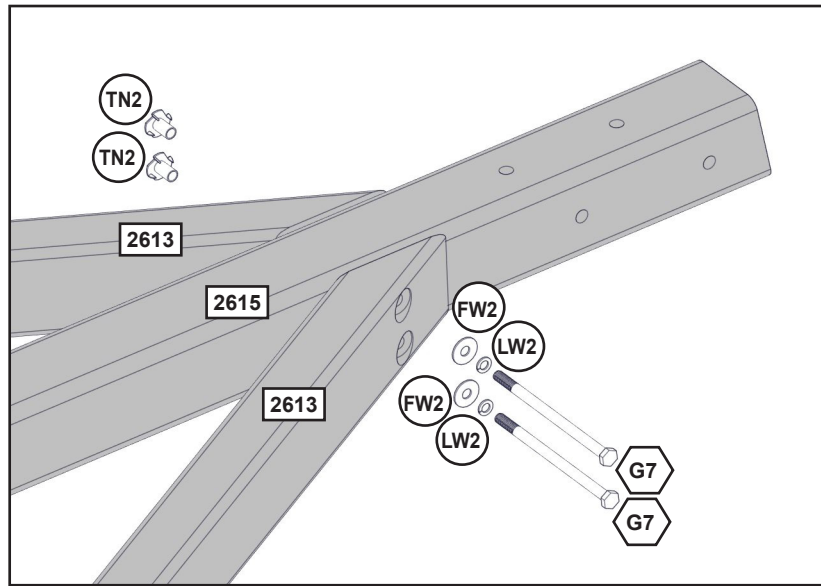
4 x **S18** #6 x 25.4mm (#6 x 1")

**Other Parts**

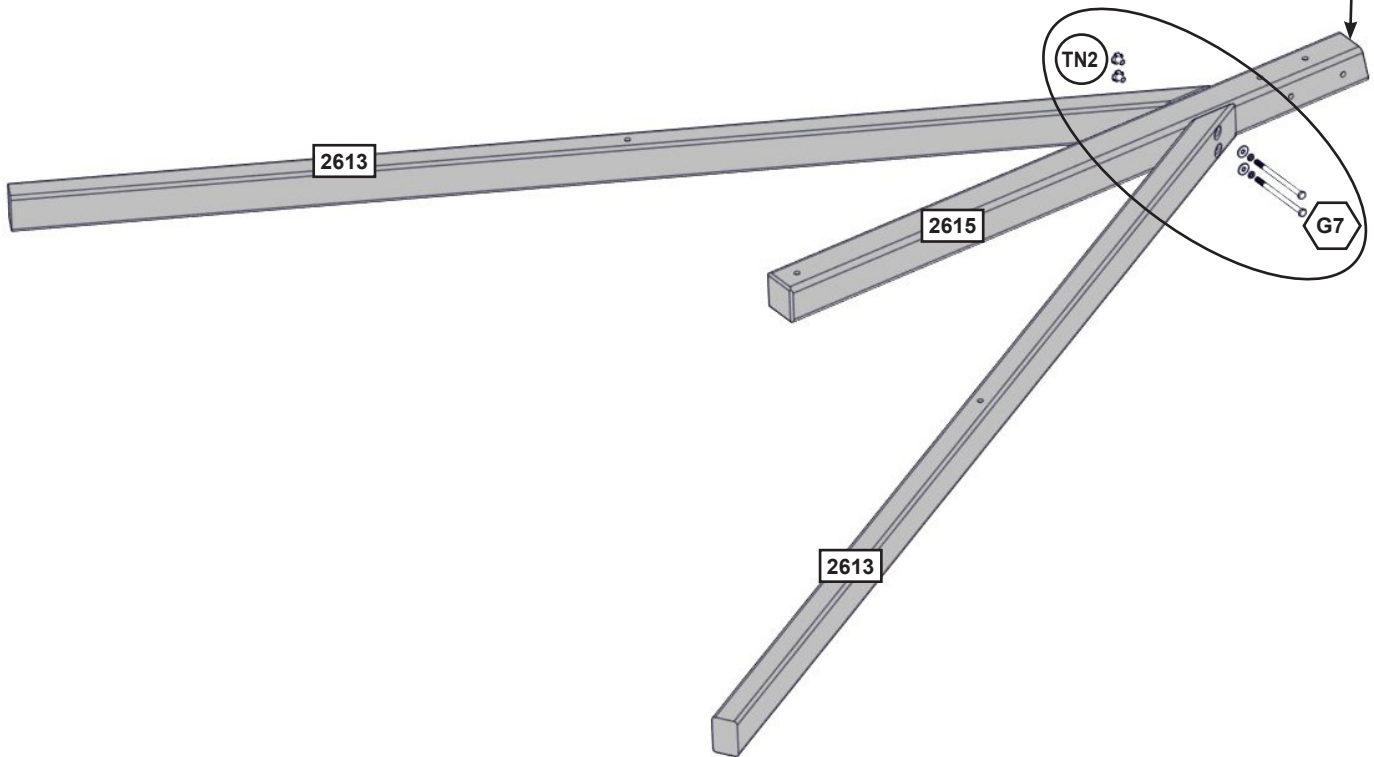
1 x **3320353**



Assemble T-Nuts first with hammer!



Note angle orientation



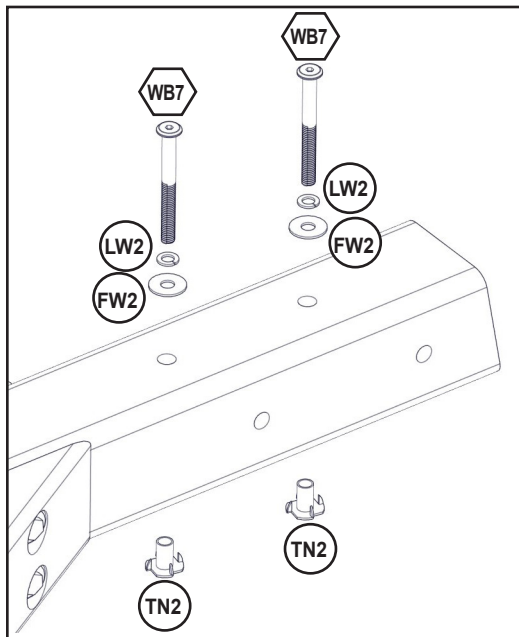
**Wood Parts**

- 2 x **2613** 50.8 x 76.2 x 2201.9mm (2" x 3" x 86 11/16")
- 1 x **2615** 76.2 x 76.2 x 1294.3mm (3" x 3" x 50 15/16")

**Hardware**

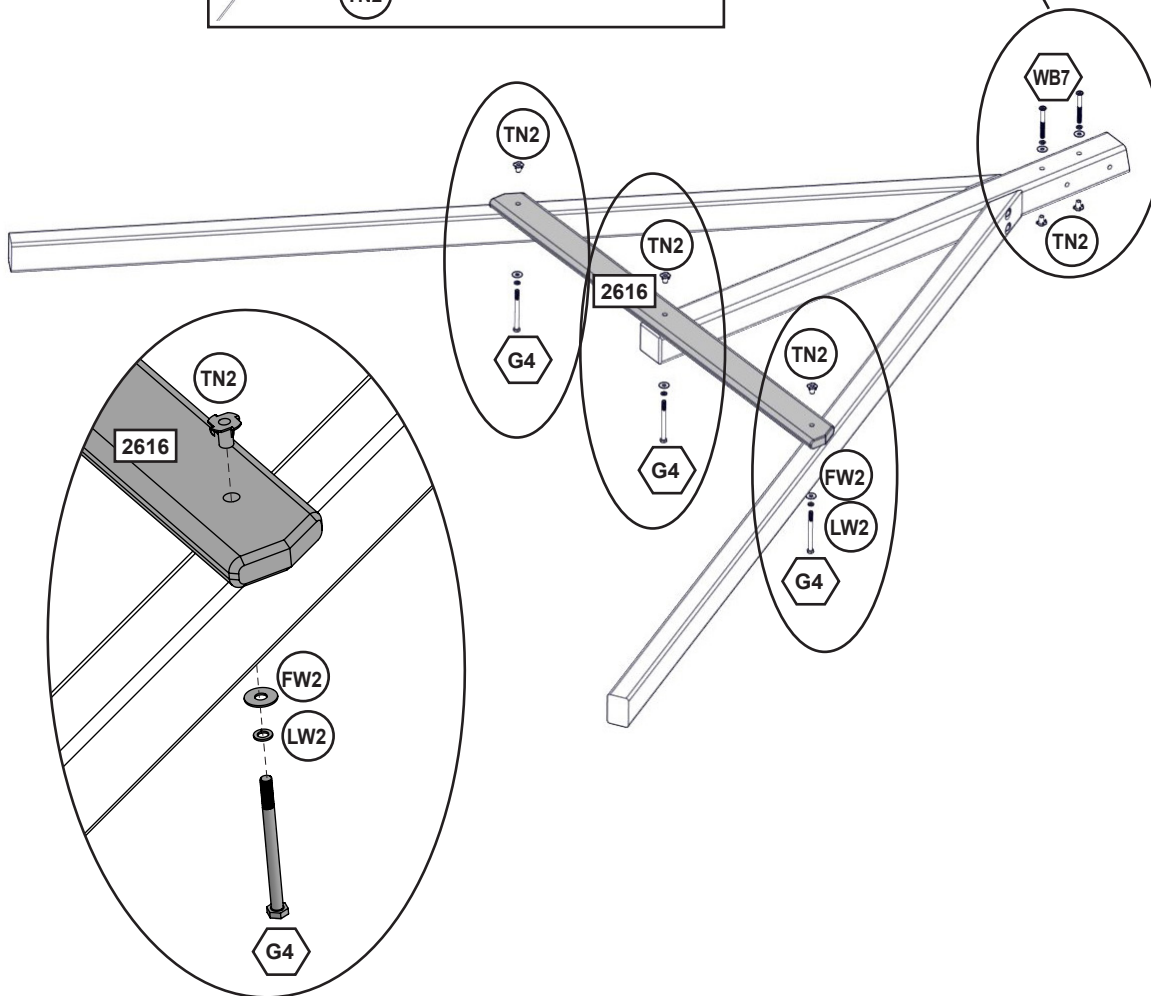
- 2 x **G7** 7.9 x 139.7 mm (5/16 x 5-1/2") (LW2, FW2, TN2)





**Assemble T-Nuts first with hammer!**

**IT IS IMPORTANT THAT THESE BOLTS ARE ATTACHED. THEY WILL MINIMIZE CHECKING OF WOOD.**



**Wood Parts**

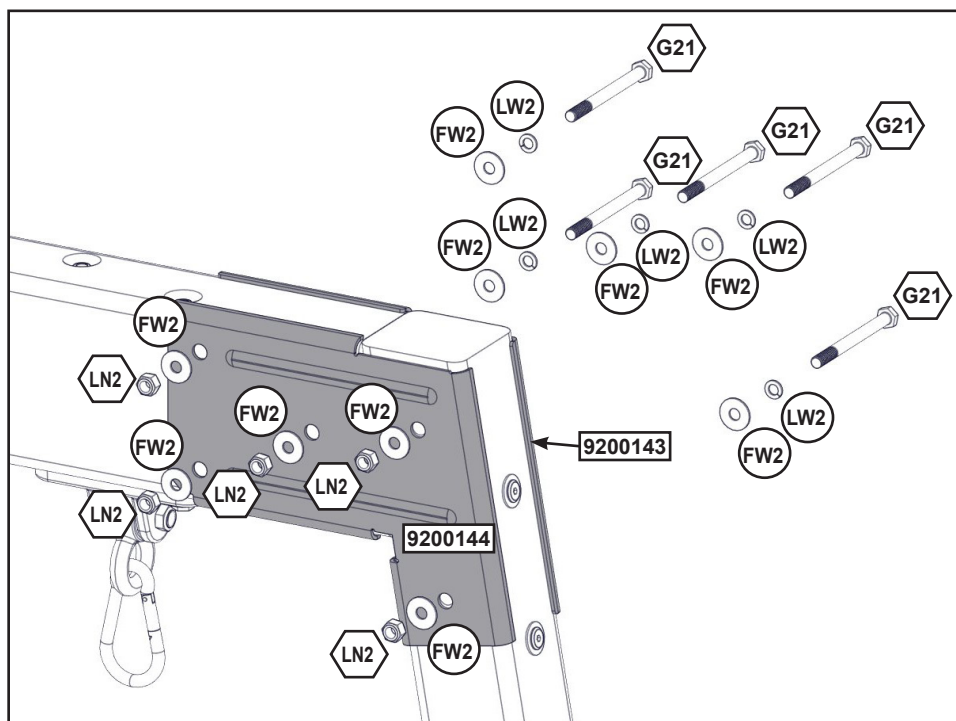
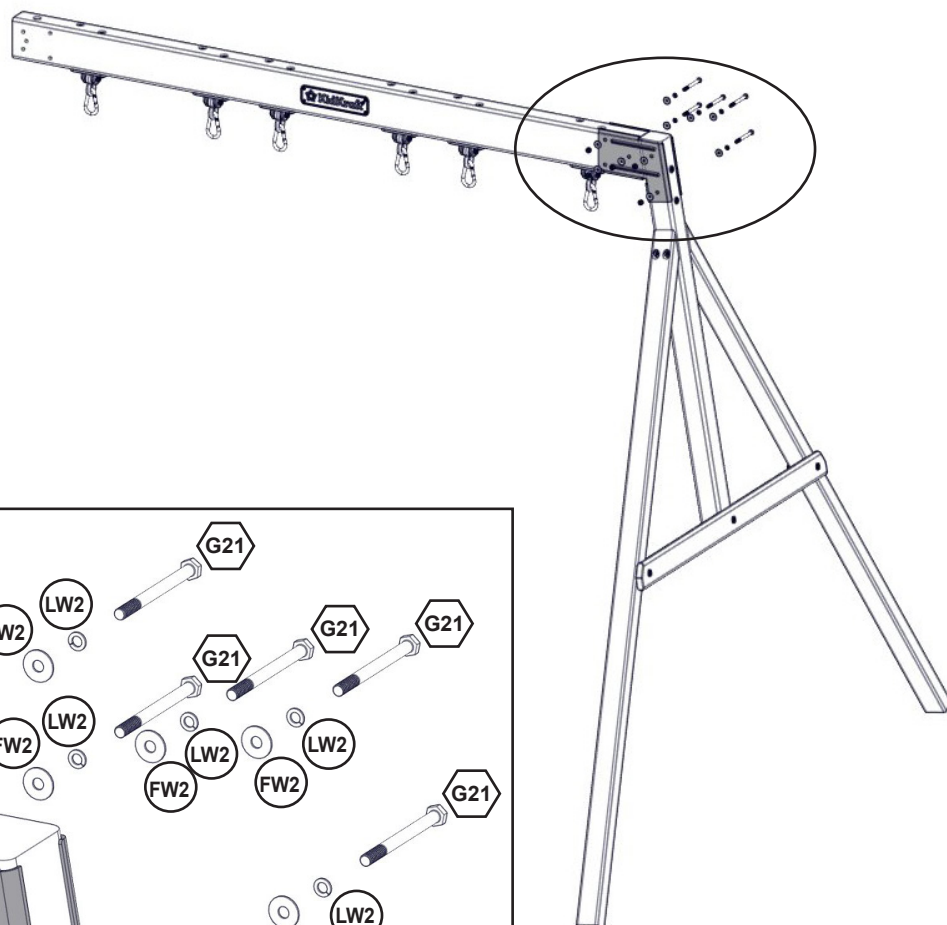
1 x **2616** 23.8 x 82.6 x 1181.1mm (15/16" x 3 1/4" x 46 1/2")

**Hardware**


3 x **G4** 7.9mm x 101.6mm (5/16 x 4") (LW2, FW2, TN2)

2 x **WB7** 7.9mm x 76.2mm (5/16 x 3") (LW2, FW2, TN2)




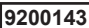


**Hardware**

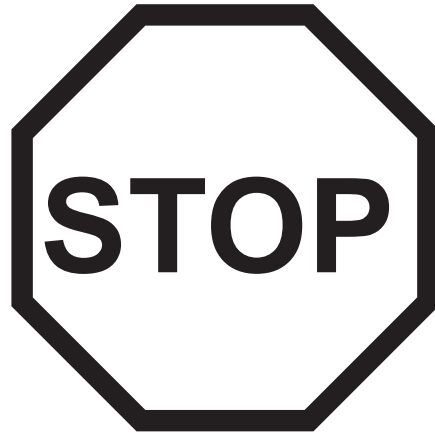
5 x  7.9mm x 95.2 mm (5/16 x 3-3/4") ( FW2 x 2, LW2, LN2)

**Other Parts**

1 x 

1 x 



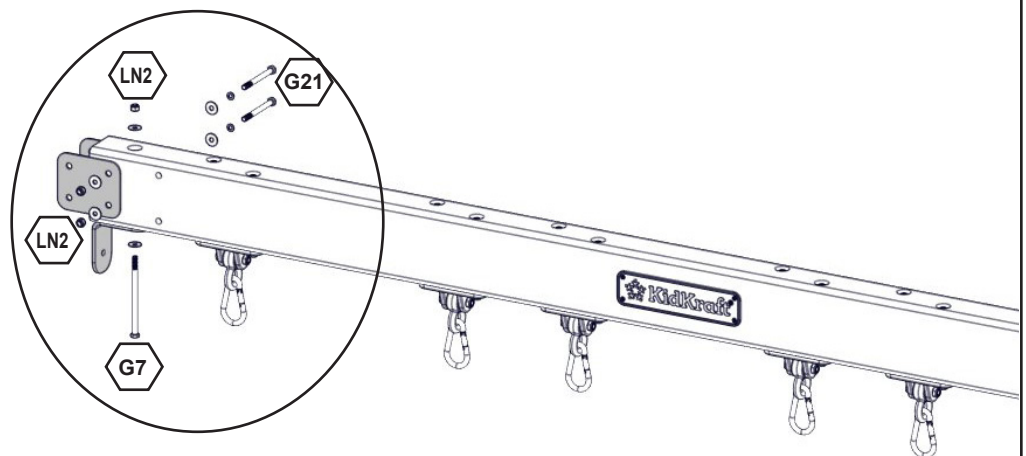
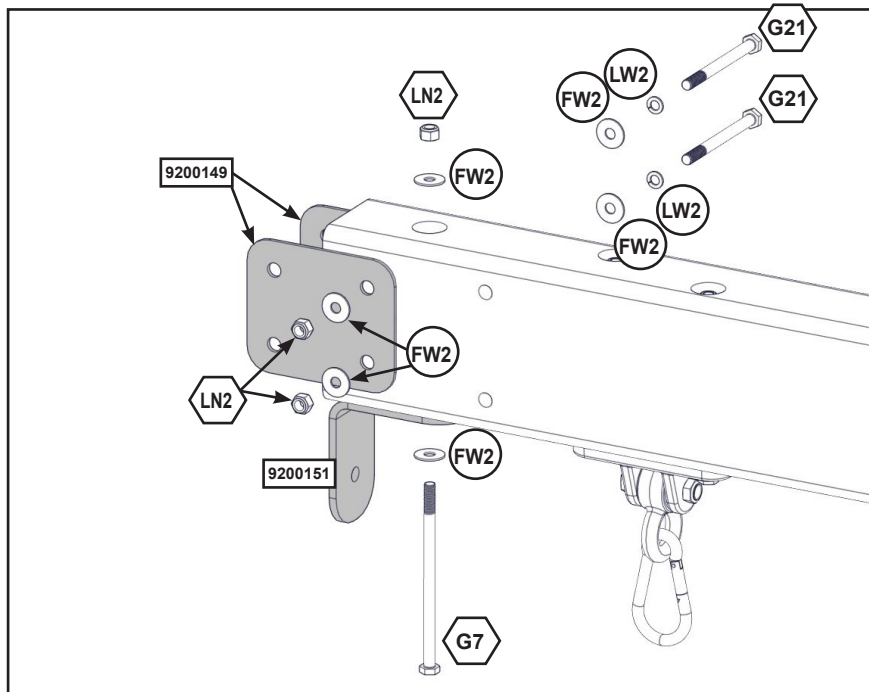


**Option 1**  
**Attached Swing Beam**  
**Configuration**

**Pages 131 - 136**

**Option 2**  
**Separate Swing Beam**  
**Configuration**

**Pages 138 - 142**



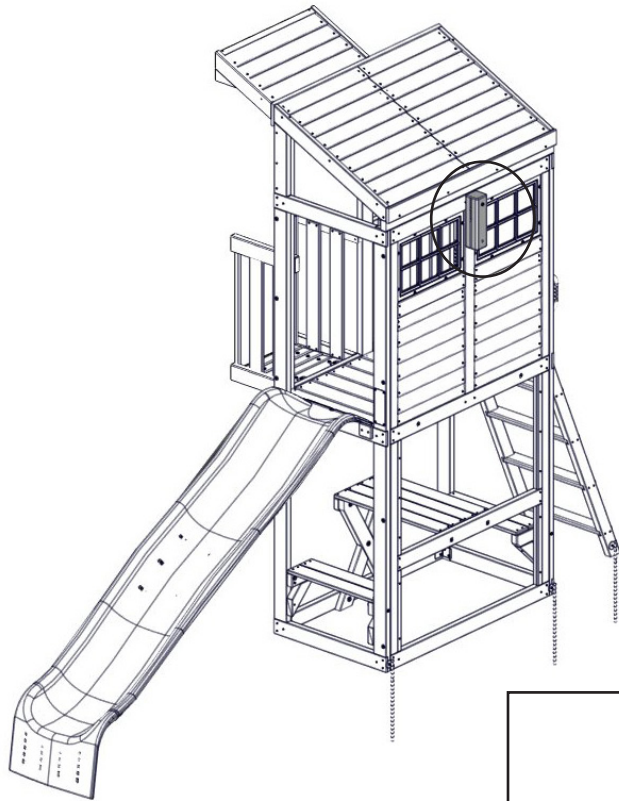
**Hardware**

- 2 x 7.9mm x 95 mm (5/16 x 3-3/4") ( LN2, 2 x FW2, LW2)
- 1 x 7.9mm x 139.7 mm (5/16 x 5-1/2") ( LN2, 2 x FW2)

**Other Parts**

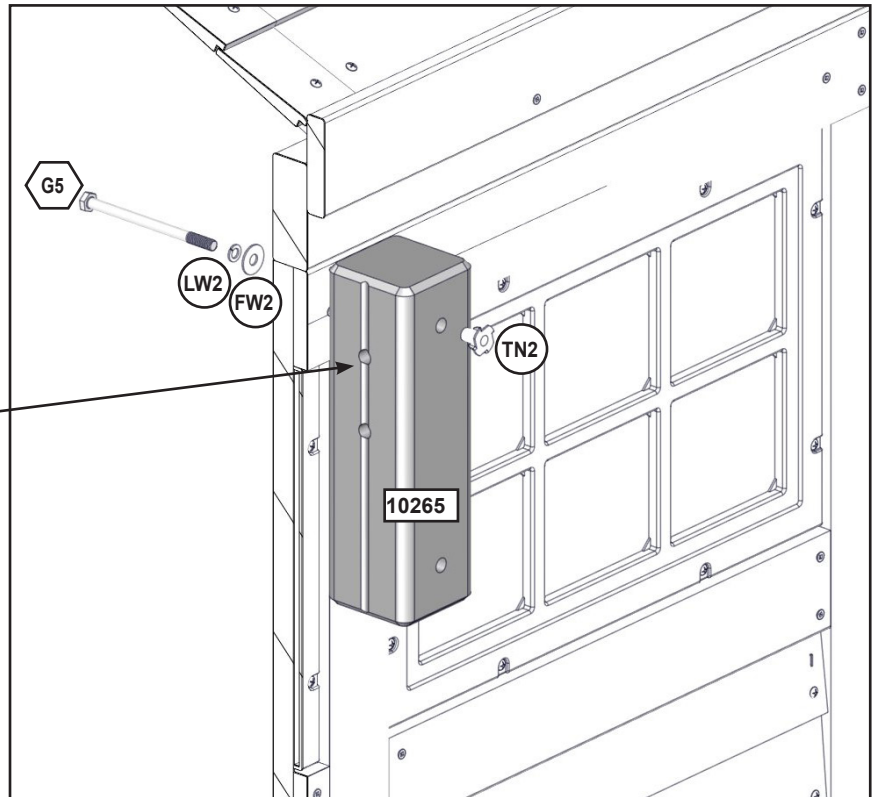
- 2 x 9200149
- 1 x 9200151





**Assemble T-Nuts first with hammer!**

**Note: Structure partly removed for clarity.**



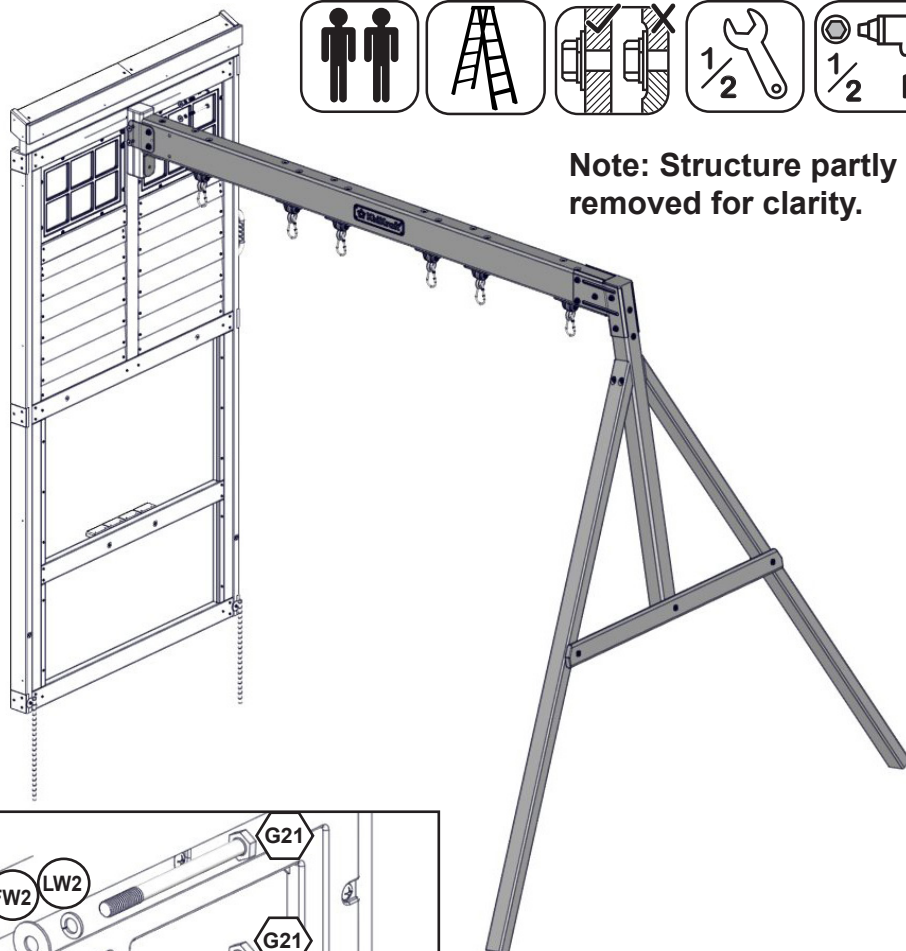
Note: Holes are located toward the top.

**Wood Parts**

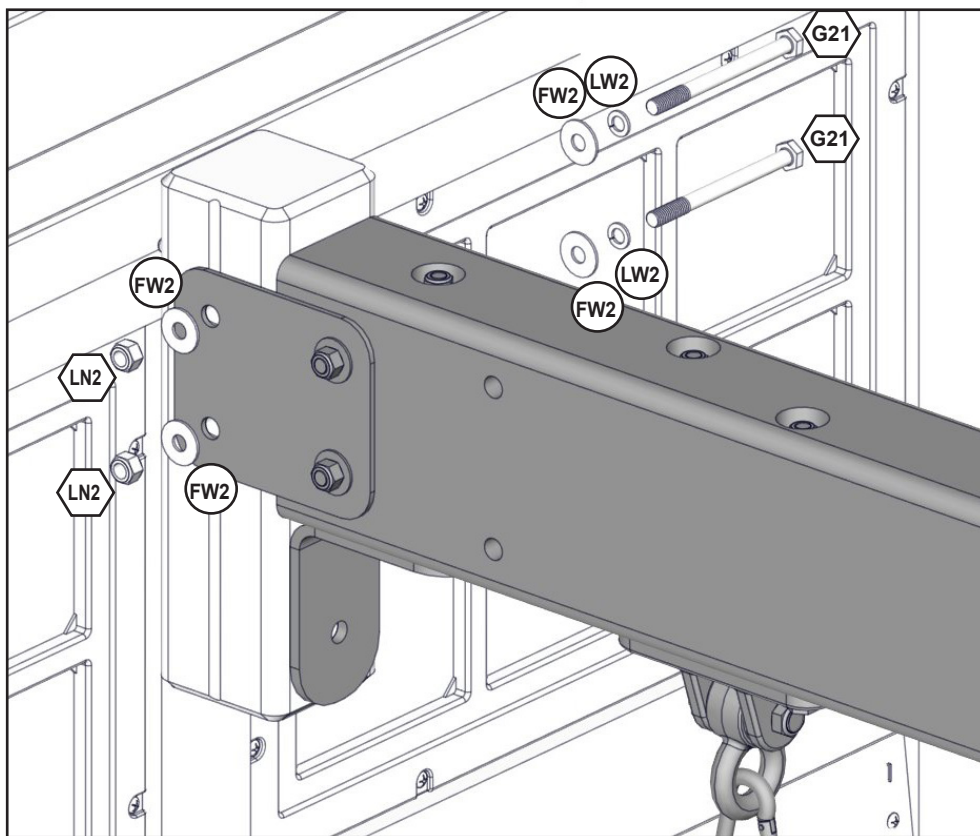
1 x **10265** 76.2 x 76.2 x 260.9mm (3" x 3" x 10 1/4")

**Hardware**

1 x **G5** 7.9mm x 114.3mm (5/16 x 4-1/2")(LW2,FW2,TN2)



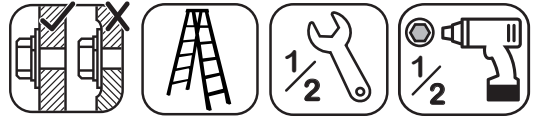
Note: Structure partly removed for clarity.



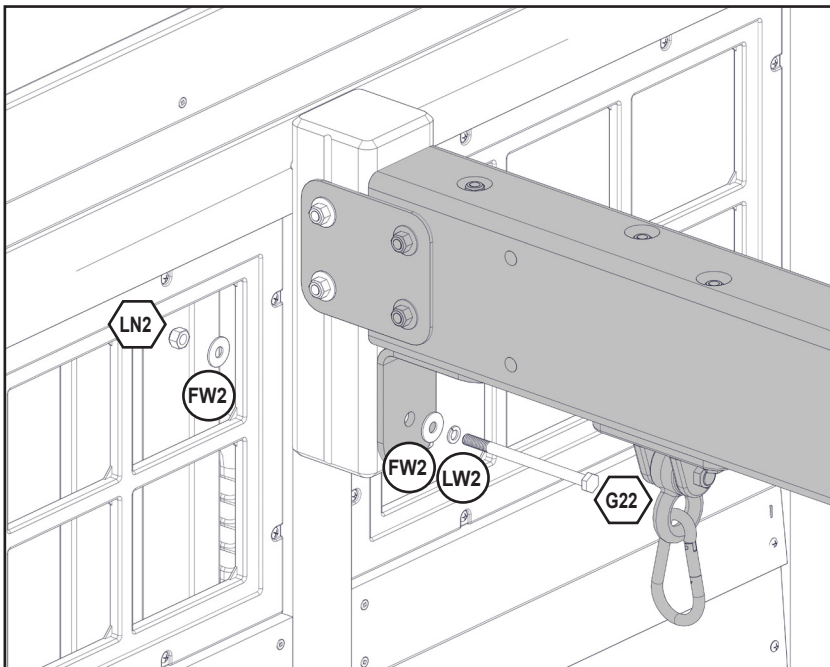
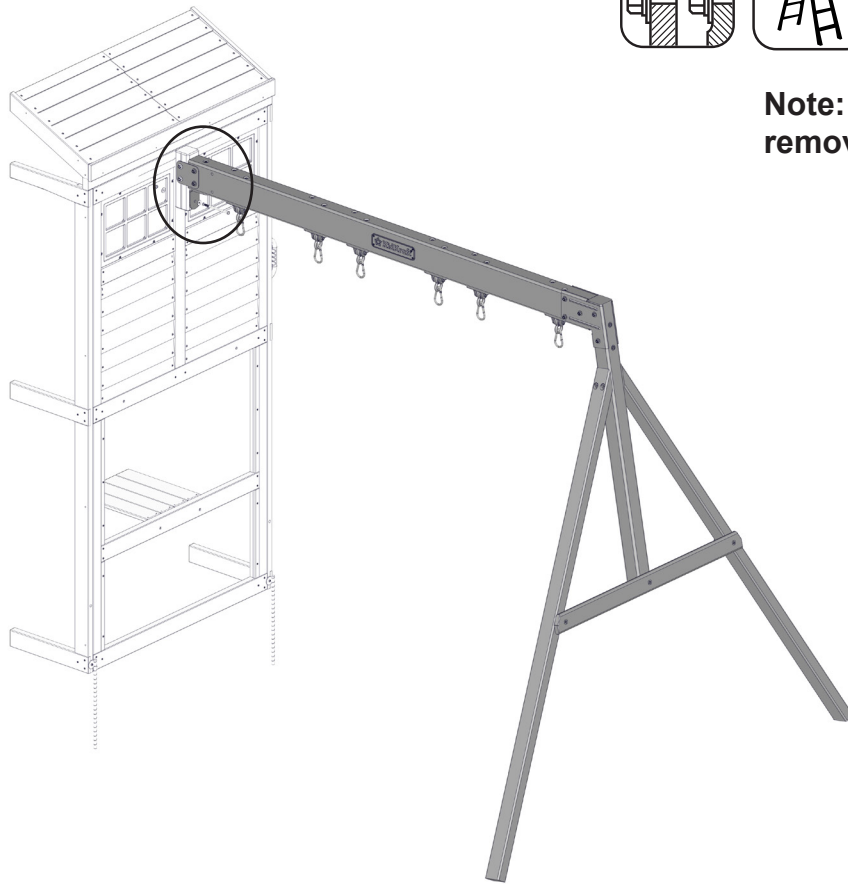
**Hardware**

2 x **G21** 7.9mm x 95 mm (5/16 x 3-3/4") ( LN2, 2 x FW2, LW2)



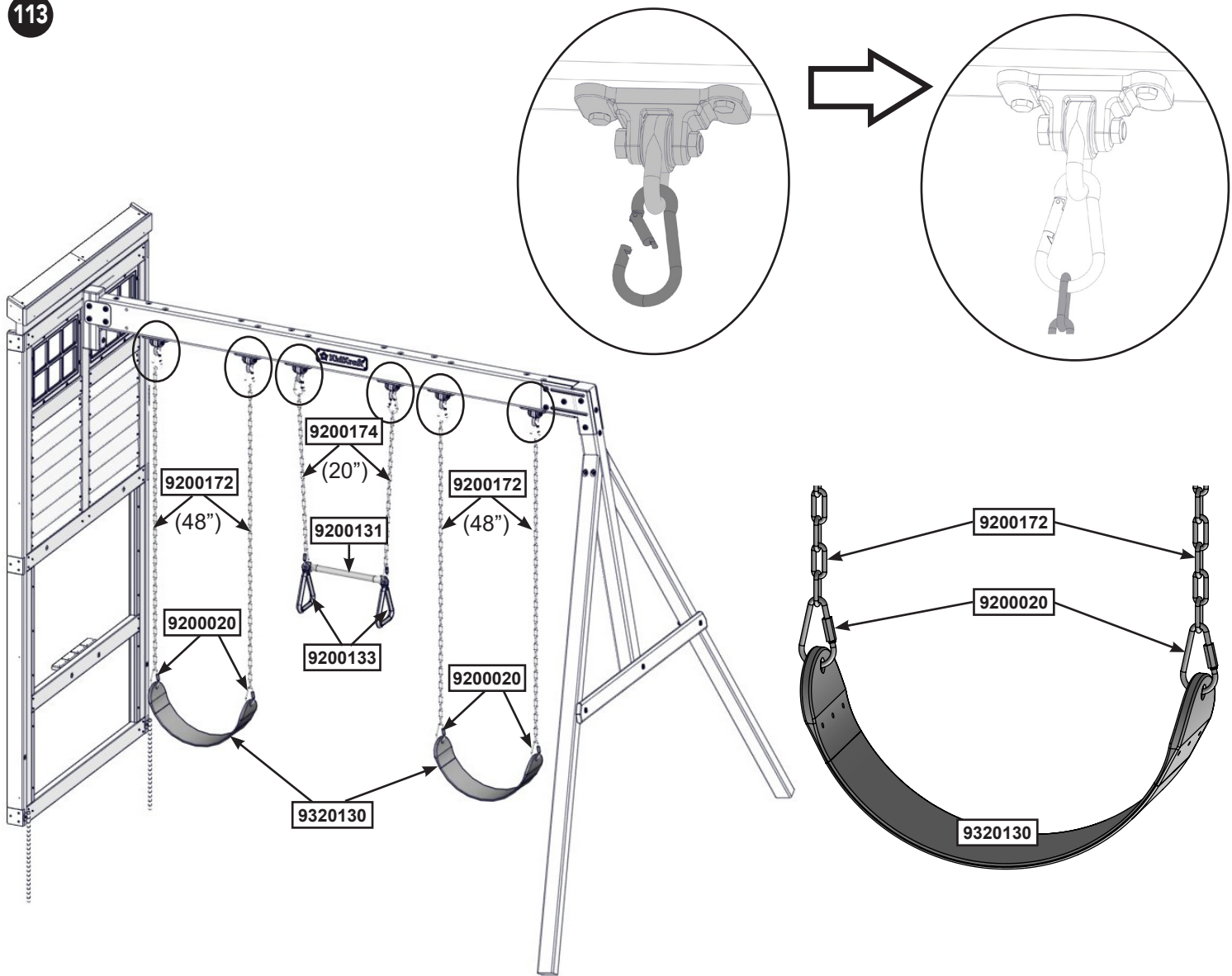


Note: Structure partly removed for clarity.

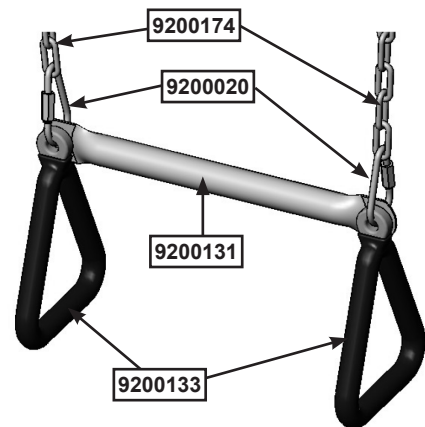
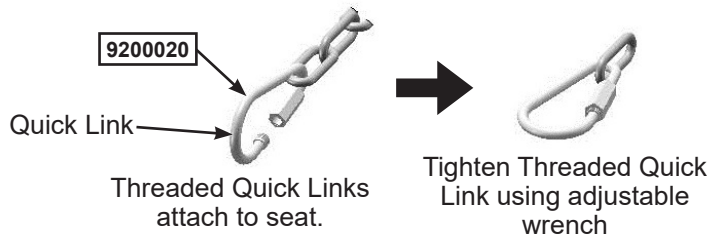


**Hardware**

1 x 7.9mm x 127 mm (5/16 x 5") ( LW2, FW2 x 2, LN2)



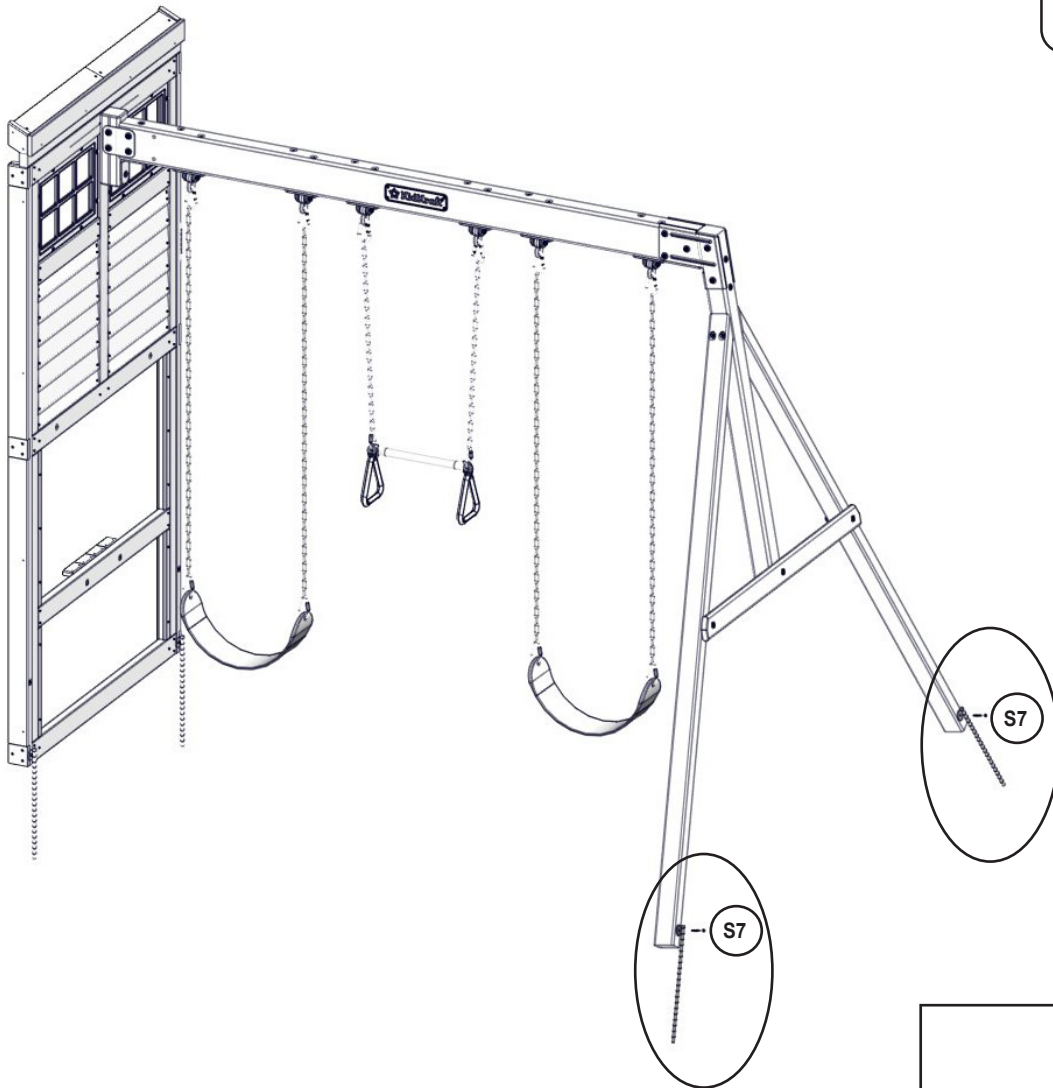
**Caution:** Threaded Quick Links must be installed with the gate completely down covering the threads and tighten as instructed.



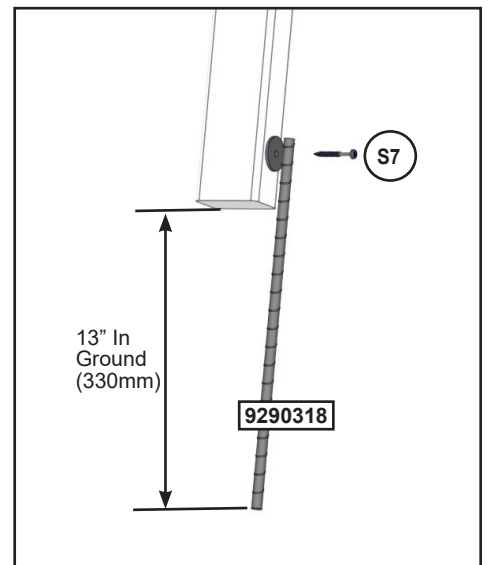
**Other Parts**

- |             |             |
|-------------|-------------|
| 4 x 9200172 | 2 x 9200133 |
| 2 x 9200174 | 2 x 9320130 |
| 1 x 9200131 | 6 x 9200020 |





**Warning!** To prevent tipping and avoid potential injury, stakes must be driven 13" (330mm) into ground. Digging or driving stakes can be dangerous if you do not check first for underground wiring, cables or gas lines.



**Hardware**

2 x **S7** #12 x 50.8mm (#12 x 2")

**Other Parts**

2 x **9290318**



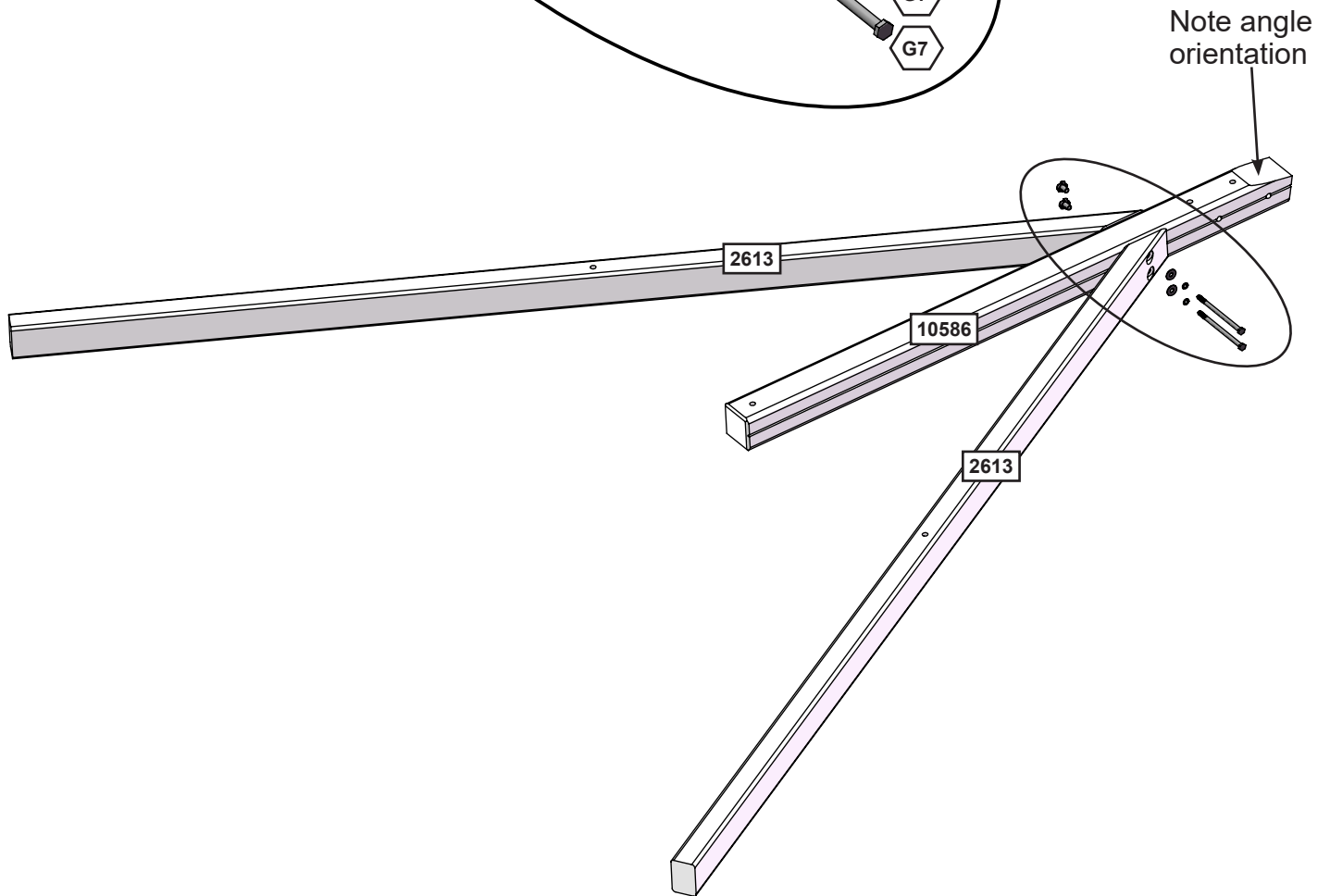
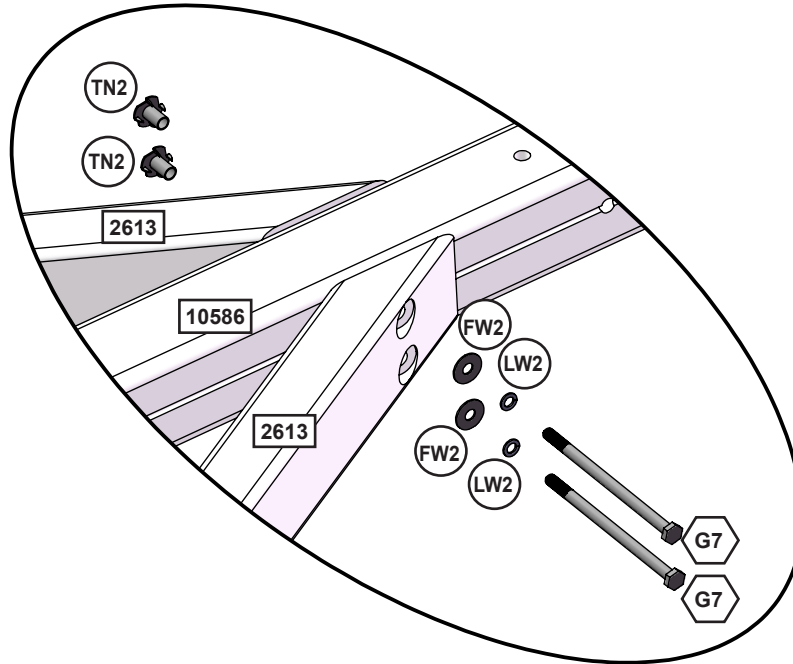
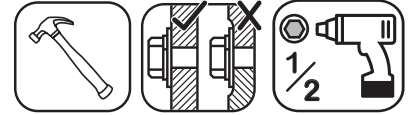


**Option 2**  
**Separate Swing Beam**  
**Configuration**

**Pages 138 - 142**



Assemble T-Nuts first with hammer!



**Wood Parts**

- 2 x **2613** 50.8 x 76.2 x 2201.9mm (2" x 3" x 86 11/16")
- 1 x **10586** 76.2 x 76.2 x 1294.3mm (3" x 3" x 50 15/16")

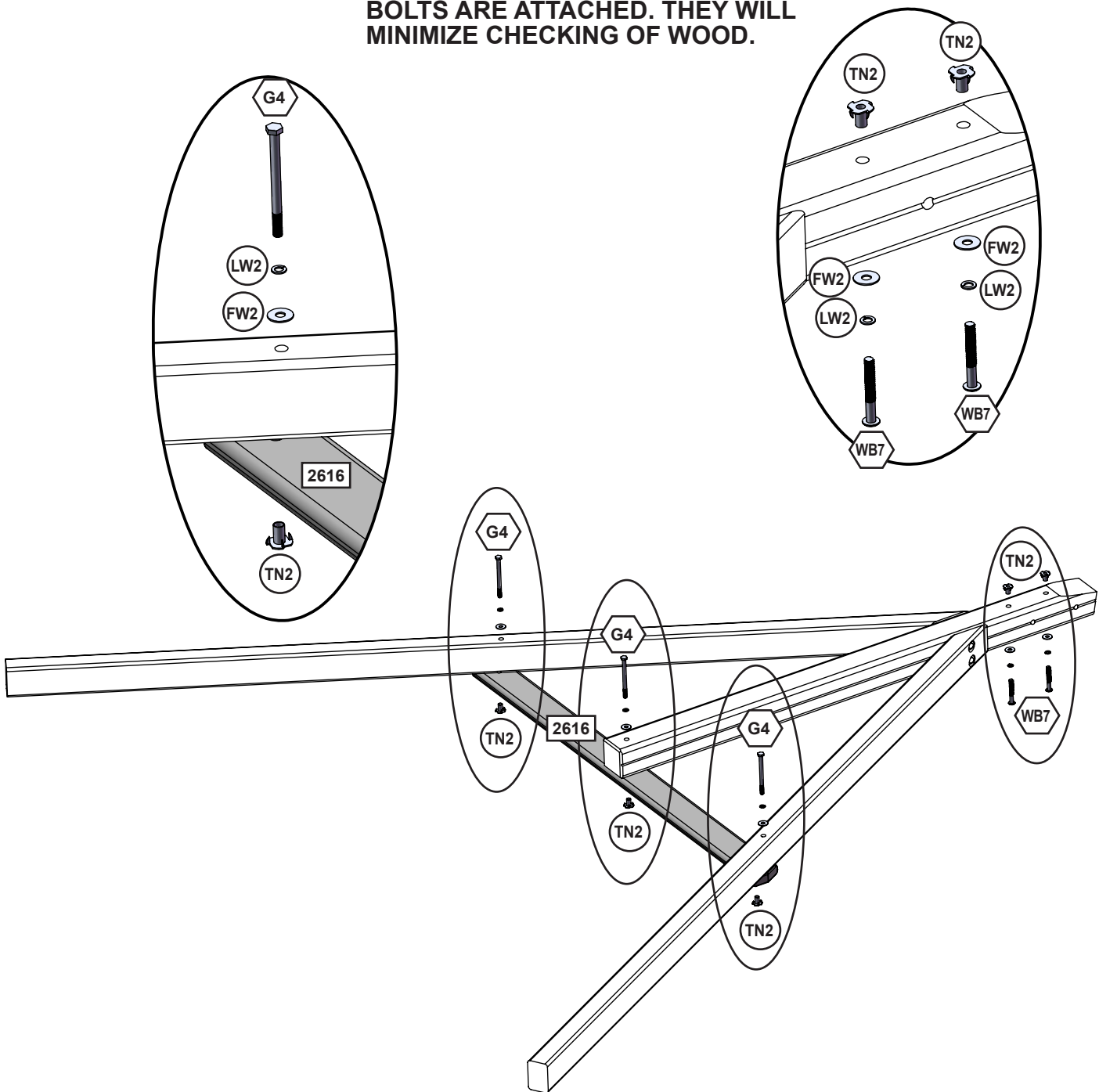
**Hardware**

- 2 x **G7** 7.9 x 139.7 mm (5/16 x 5-1/2") (LW2, FW2, TN2)

Assemble T-Nuts first with hammer!



IT IS IMPORTANT THAT THESE BOLTS ARE ATTACHED. THEY WILL MINIMIZE CHECKING OF WOOD.



**Wood Parts**

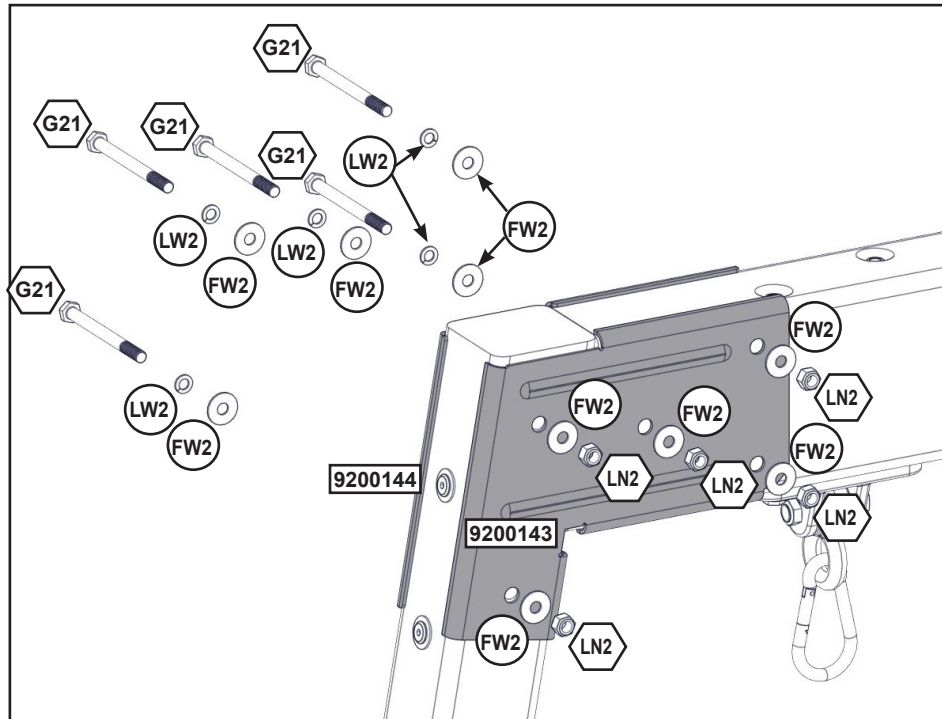
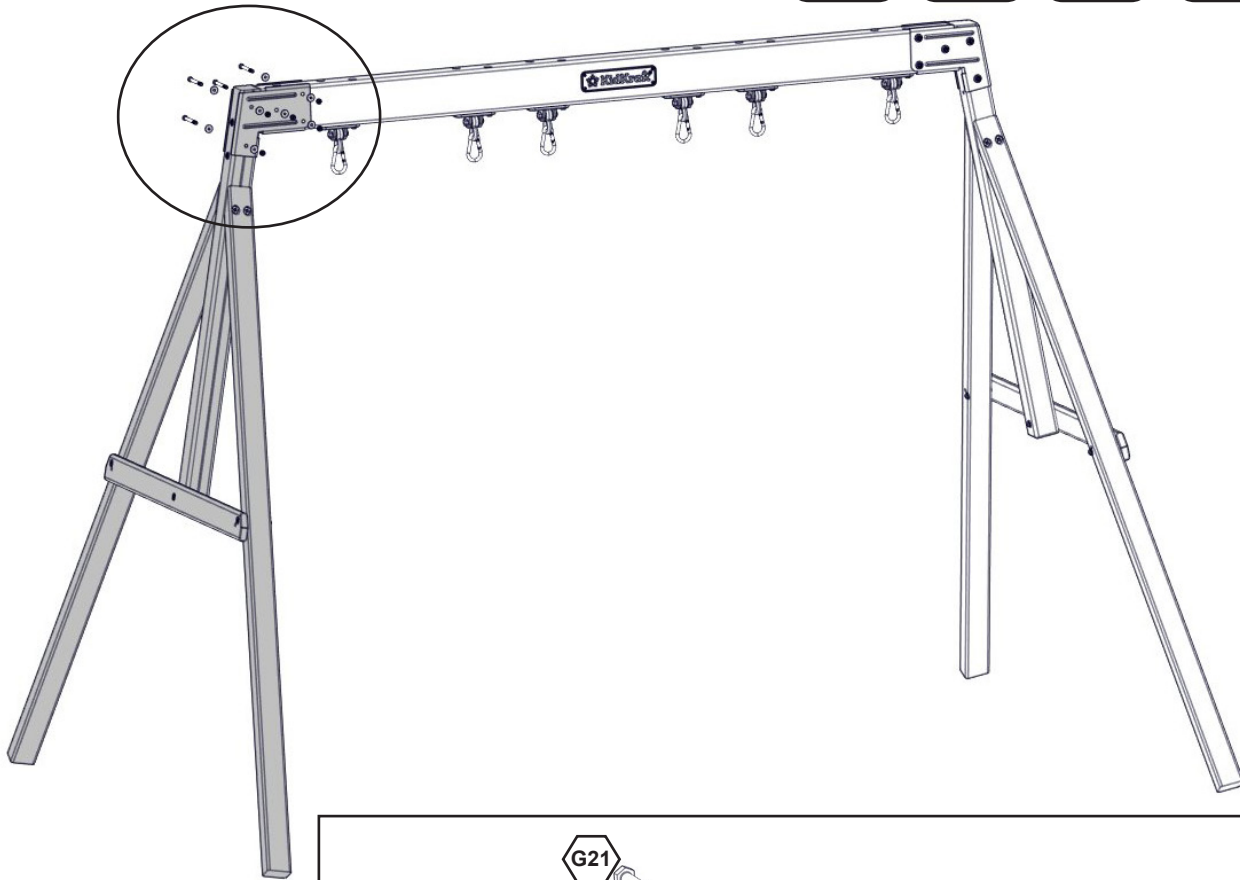
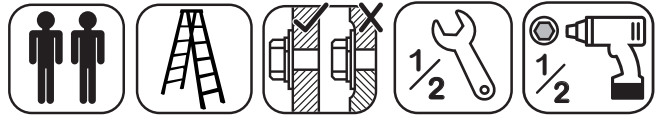
1 x **2616** 23.8 x 82.6 x 1181.1mm (15/16" x 3 1/4" x 46 1/2")

**Hardware**

3 x **G4** 7.9mm x 101.6mm (5/16 x 4") (LW2, FW2, TN2)

2 x **WB7** 7.9mm x 76.2mm (5/16 x 3") (LW2, FW2, TN2)





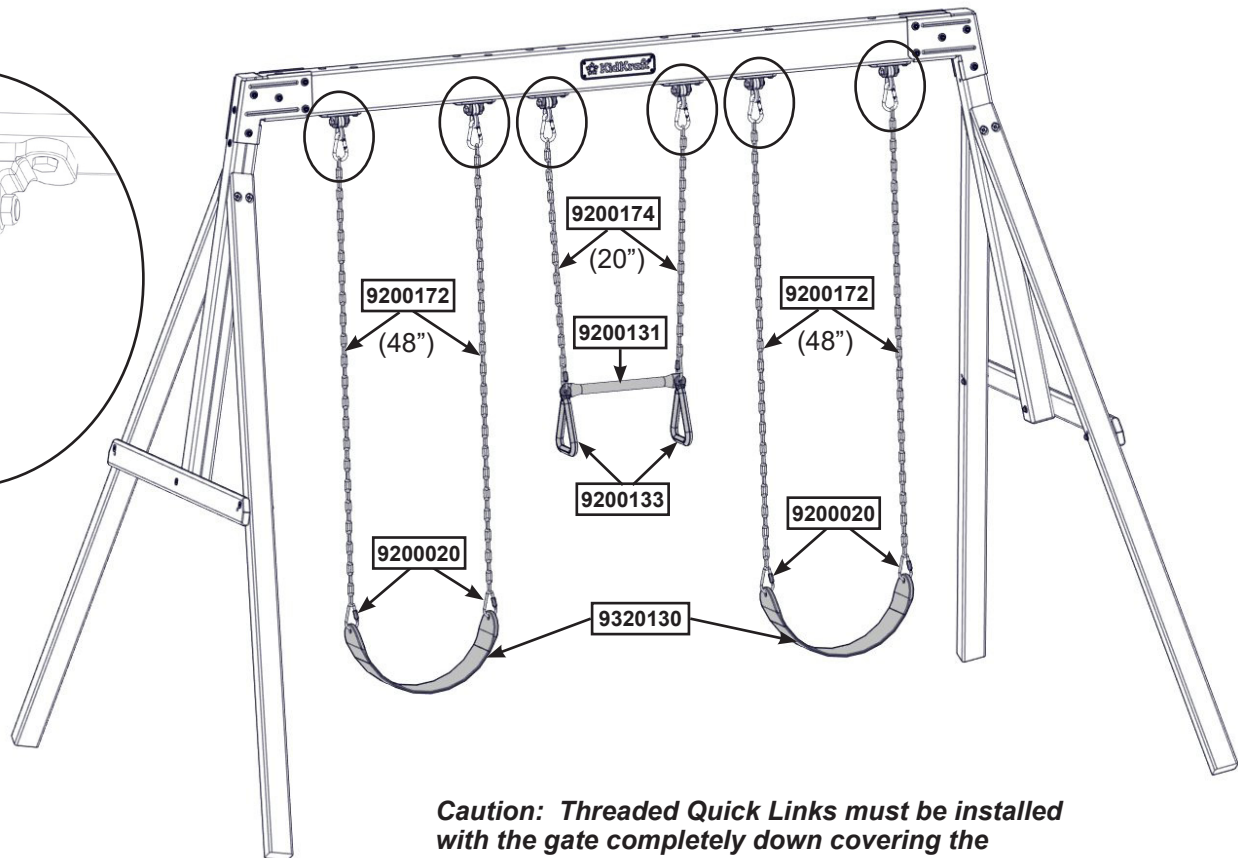
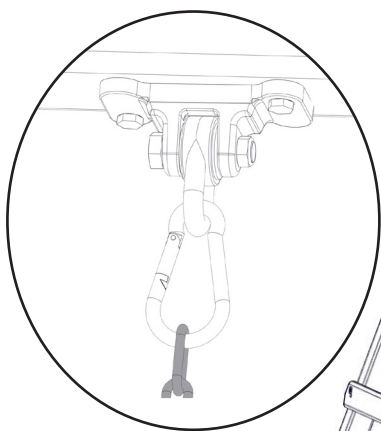
**Hardware**

5 x **G21** 7.9mm x 95.2 mm (5/16 x 3-3/4") ( FW2 x 2, LW2, LN2)

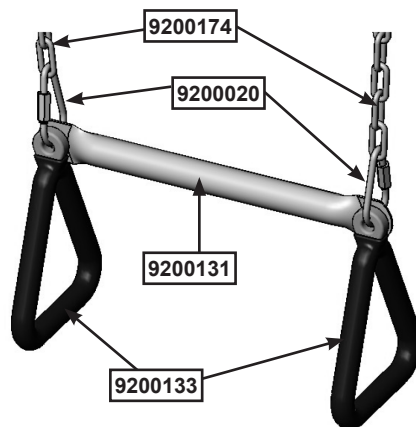
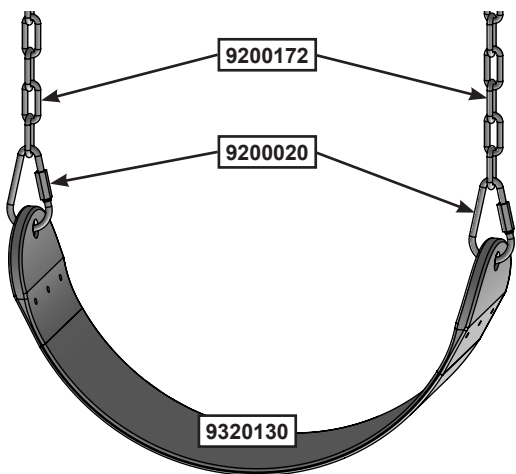
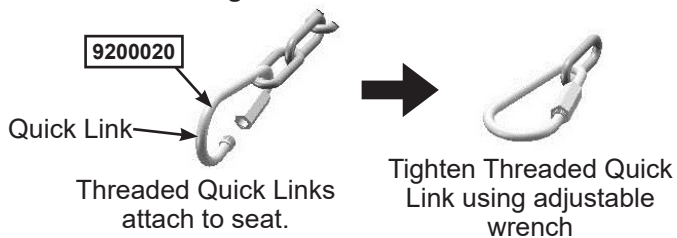
**Other Parts**

1 x **9200144**

1 x **9200143**



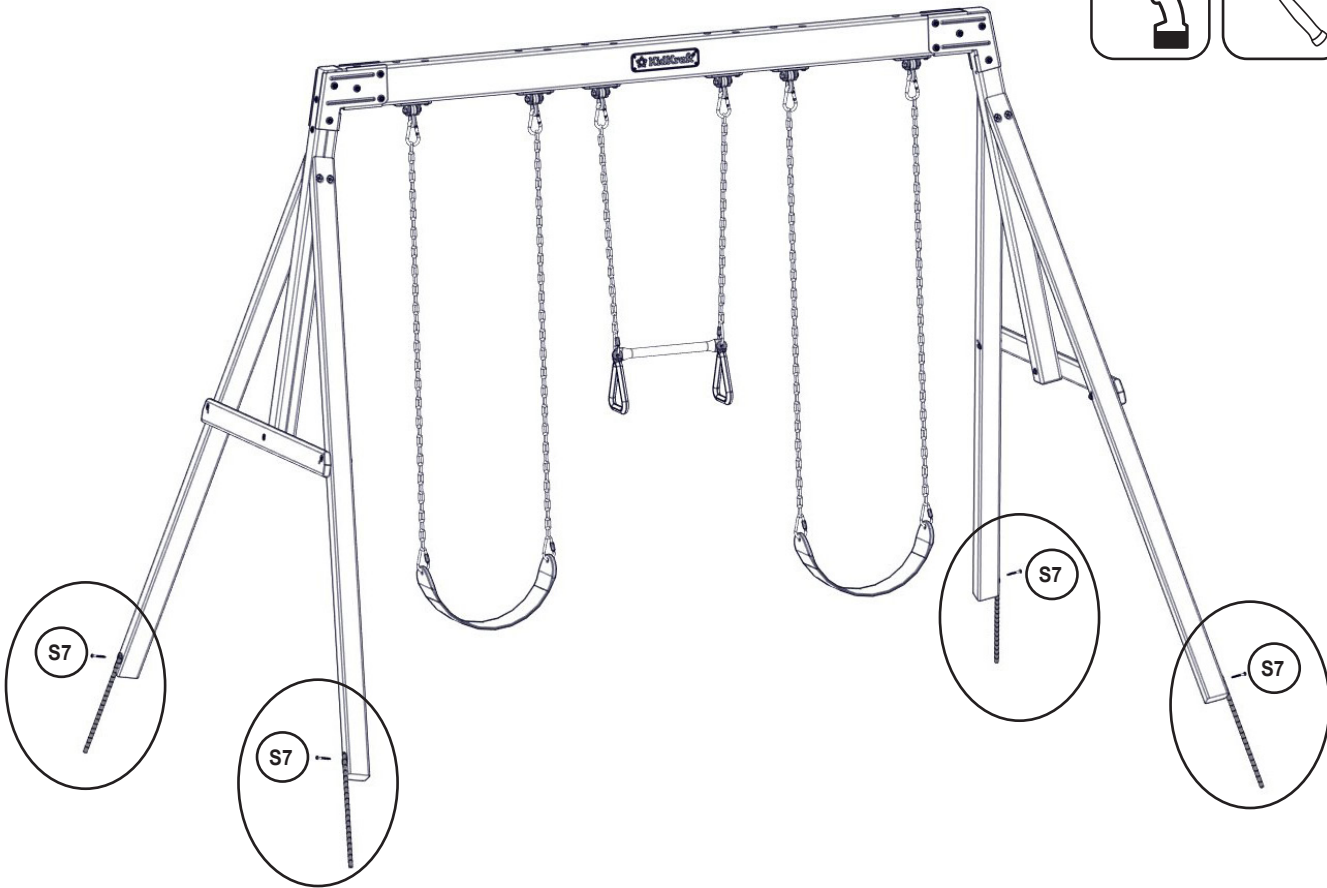
**Caution:** Threaded Quick Links must be installed with the gate completely down covering the threads and tighten as instructed.



**Other Parts**

4 x	9200172	2 x	9200133
2 x	9200174	2 x	9320130
1 x	9200131	6 x	9200020

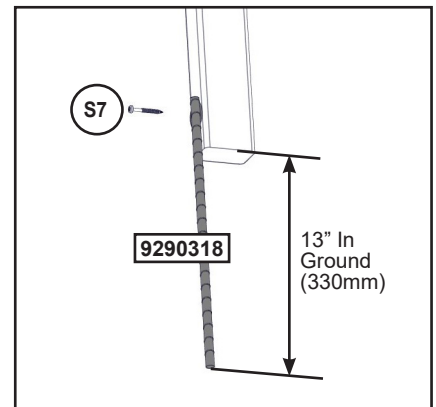




**SEE PAGE 2 FOR  
SAFETY CLEARANCE**

**MOVE FORT TO FINAL LOCATION PRIOR TO STAKING  
FINAL LOCATION MUST BE LEVEL GROUND**

**Warning!** To prevent tipping and avoid potential injury, stakes must be driven 13"(330mm) into ground. Digging or driving stakes can be dangerous if you do not check first for under-ground wiring, cables or gas lines.



**Hardware**  
4 x **S7** #12 x 50.8mm (#12 x 2")

**Other Parts**  
4 x **9290318**



# 3 EASY WAYS TO REGISTER YOUR PRODUCT 24/7

- 1) Scan this QR Code with your smart phone to complete your product registration directly from your phone:
- 2) Complete the registration online at: [https://www.kidkraft.com/us\\_en/warranty/](https://www.kidkraft.com/us_en/warranty/)
- 3) Mail this completed form to: KidKraft Inc., 4630 Olin Road, Dallas, Tx 75244 USA  
Make sure to include a copy of your proof of purchase



## KIDKRAFT Consumer Registration Card

First Name \_\_\_\_\_ Initial \_\_\_\_\_ Last Name \_\_\_\_\_

Street \_\_\_\_\_ Apt. No. \_\_\_\_\_

City \_\_\_\_\_ State/Province \_\_\_\_\_ ZIP/Postal Code \_\_\_\_\_

Country \_\_\_\_\_ Telephone Number \_\_\_\_\_

E-Mail Address \_\_\_\_\_

Model Number \_\_\_\_\_ Model Name \_\_\_\_\_

Model Number & Name example  
F2XXXX KidKraft Item Description

Purchased From \_\_\_\_\_ Date Purchase \_\_\_\_\_

MM / DD / YY

Serial Number (on ID Plaque) \_\_\_\_\_



ID Plaque example

Box #: _____ 1 of _____	Box #: _____ 4 of _____	Box # (Ex: BXXXX 1of 6) <b>1 OF 6</b> ITEM # ARTICLE N° N° DE ARTICULO <b>BXXXX</b>
Box #: _____ 2 of _____	Box #: _____ 5 of _____	
Box #: _____ 3 of _____	Box #: _____ 6 of _____	

For common questions or for information on ordering replacement parts:

[https://www.kidkraft.com/us\\_en/warranty/](https://www.kidkraft.com/us_en/warranty/)

Distributed by:  
Costco Wholesale Corporation  
P.O. Box 34535  
Seattle, WA 98124-1535  
USA  
1-800-774-2678  
[www.costco.com](http://www.costco.com)

Costco Wholesale Canada Ltd.\*  
415 W. Hunt Club Road  
Ottawa, Ontario  
K2E 1C5, Canada  
1-800-463-3783  
[www.costco.ca](http://www.costco.ca)

\* faisant affaire au Québec sous  
le nom les Entrepôts Costco

Importado por:  
Importadora Primex S.A. de C.V.  
Blvd. Magnocentro No. 4  
San Fernando La Herradura  
Huixquilucan, Estado de México  
C.P. 52765

RFC: IPR-930907-S70  
(55)-5246-5500  
[www.costco.com.mx](http://www.costco.com.mx)

Costco Wholesale Australia Pty Ltd  
17-21 Parramatta Road  
Lidcombe NSW 2141  
Australia  
[www.costco.com.au](http://www.costco.com.au)

Costco Wholesale UK Ltd /  
Costco Online UK Ltd  
Hartspring Lane  
Watford, Herts  
WD25 8JS  
United Kingdom  
01923 213113  
[www.costco.co.uk](http://www.costco.co.uk)

Costco Wholesale Spain S.L.U.  
Polígono Empresarial Los Gavilanes  
C/ Agustín de Betancourt, 17  
28906 Getafe (Madrid) España  
NIF: B86509460  
900 111 155  
[www.costco.es](http://www.costco.es)

Costco Wholesale Iceland ehf.  
Kauptún 3-7, 210 Gardabaer  
Iceland  
[www.costco.is](http://www.costco.is)

Costco France  
1 avenue de Bréhat  
91140 Villebon-sur-Yvette  
France  
01 80 45 01 10  
[www.costco.fr](http://www.costco.fr)

Costco Wholesale Japan Ltd.  
2 Kakuchi, 2 Gaiku, Kaneda-Nishi  
361 Urakura, Kisarazu shi  
Chiba, 292-0007 Japan  
0570-200-800  
[www.costco.co.jp](http://www.costco.co.jp)

Costco Wholesale Korea, Ltd.  
40, Iljik-ro  
Gwangmyeong-si  
Gyeonggi-do, 14347, Korea  
1899-9900  
[www.costco.co.kr](http://www.costco.co.kr)

Costco Wholesale New Zealand Limited  
2 Gunton Drive  
Westgate  
Auckland 0814  
New Zealand  
[www.costco.co.nz](http://www.costco.co.nz)

Costco (China) Investment Co., Ltd.  
Room 1003, Block 2, 2388 Xiupu Road,  
Pudong New Area, Shanghai  
China 201315  
+86-21-6257-7065

Costco Wholesale Sweden AB  
Box 614  
114 11 Stockholm  
Sweden  
[www.costco.se](http://www.costco.se)