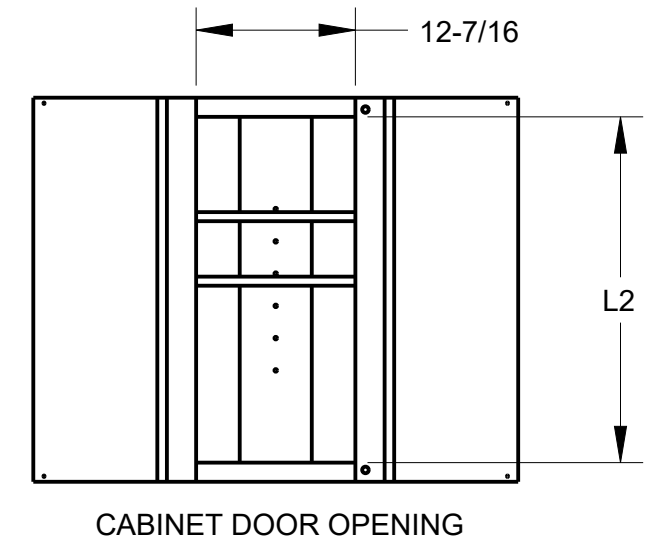
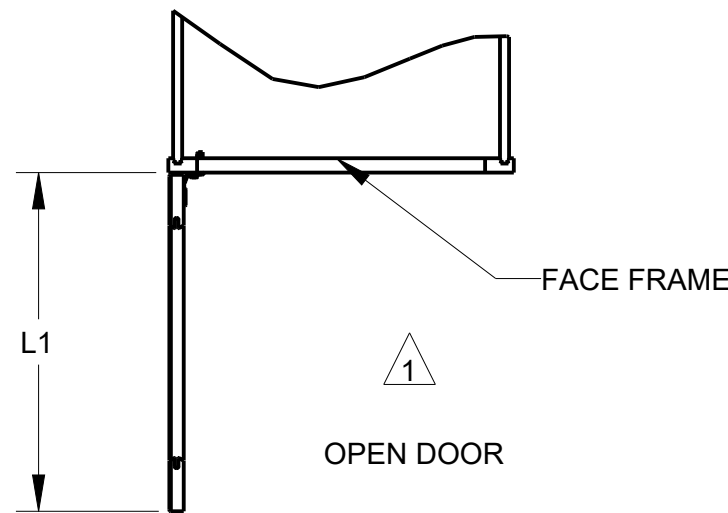
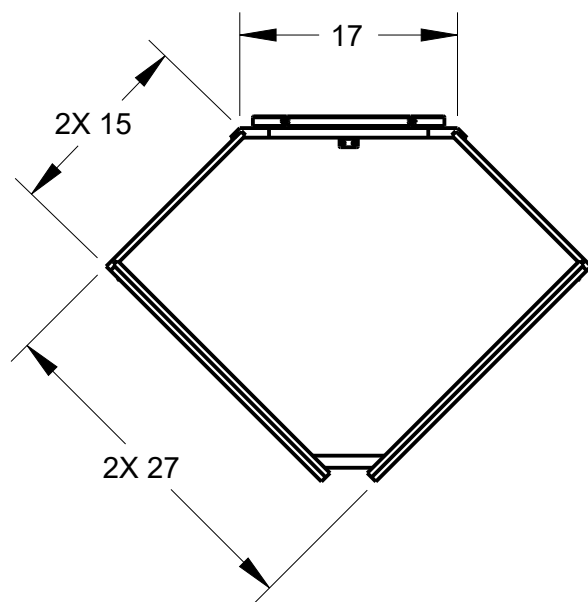
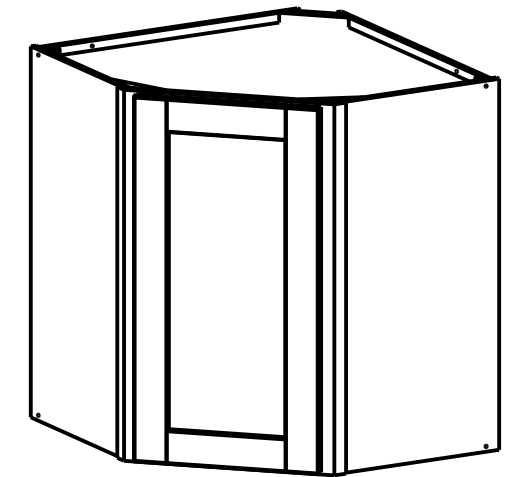
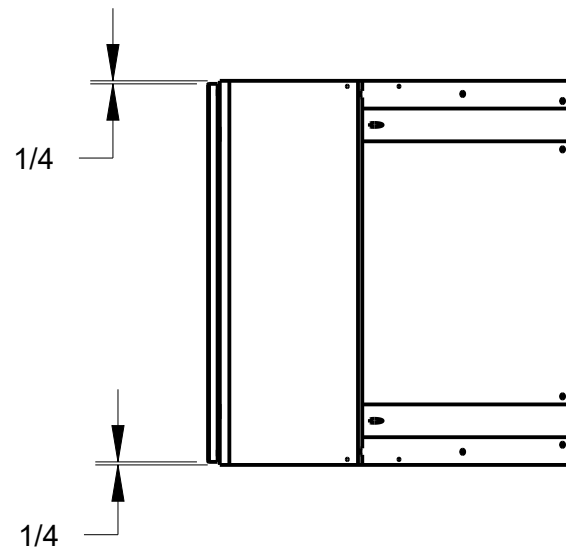
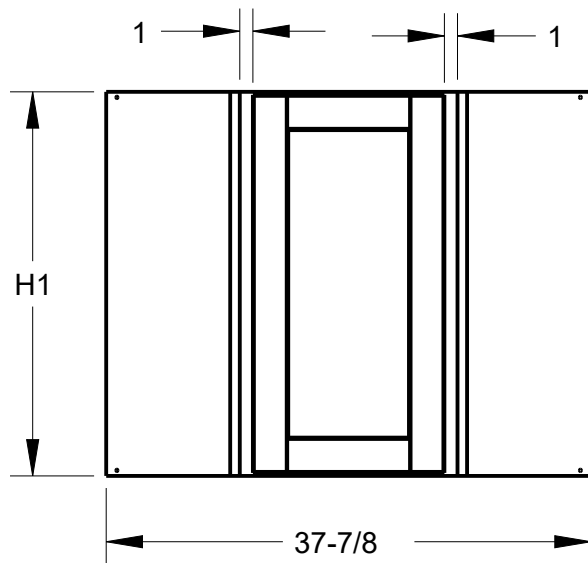


NOTE:

1 OPEN DOOR VIEW INCLUDES HINGE SPACE OFFSET.

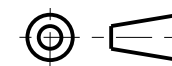
PRODUCT	H1	L1	L2	DOOR SIZE
				ROUNDED TO THE NEAREST 1/32
WDC273015	30"	15 1/8"	27"	14 31/32" X 29 17/32"
WDC273615	36"	15 1/8"	33"	14 31/32" X 35 1/2"
WDC274215	42"	15 1/8"	39"	14 31/32" X 41 17/32"



PRODUCT SHOWN W2430

DOCUMENT STATUS Released

THIRD ANGLE PROJECTION



MATERIAL

FINISH

N/A

N/A

DRAWN BY
E.GOLESTANYAN

DATE
23MAR2020

DESIGNED BY
NORTHPOINT

DATE

APPROVED BY
GREG DAVIS

DATE
30MAR2020

**hardware
resources**

DESCRIPTION

WDC273015, WDC273615, WDC274215 FULL OVERLAY

DRAWING NUMBER

WDC273015WDC273615WDC274215FULL

REV

A

SIZE
A3

SCALE
0.067

SHEET
1 / 1

HARDWARE RESOURCES RESERVES THE RIGHT TO CHANGE SPECIFICATIONS WITHOUT NOTICE.
IN CASE OF A DISCREPANCY, ACTUAL PART GEOMETRY SUPERSEDES THIS DOCUMENT.

THE INFORMATION CONTAINED WITHIN THIS DRAWING IS THE SOLE PROPERTY OF HARDWARE RESOURCES INC. ANY REPRODUCTION IN PART OR WHOLE WITHOUT WRITTEN PERMISSION OF HARDWARE RESOURCES INC. IS PROHIBITED.