

**NOTE: ALL DIMENSIONS $\pm \frac{1}{8}$ "
UNLESS SPECIFIED OTHERWISE**

DISCLAIMER

THIS INFORMATION IS PROVIDED AS A GENERAL GUIDE, INCLUDING DIMENSIONS. IT IS THE CUSTOMER'S RESPONSIBILITY TO SELECT THE PROPER CONTAINER FOR PRODUCT AND APPLICATION COMPATIBILITY.

DISTRIBUTED BY:



REF NO.:

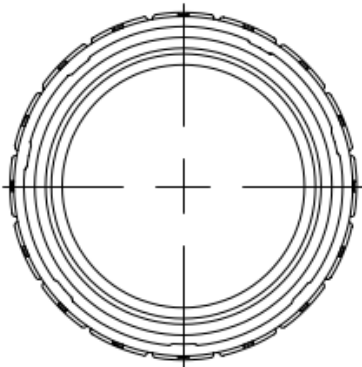
DWG10004-A

DESCRIPTION:

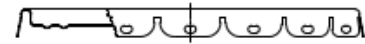
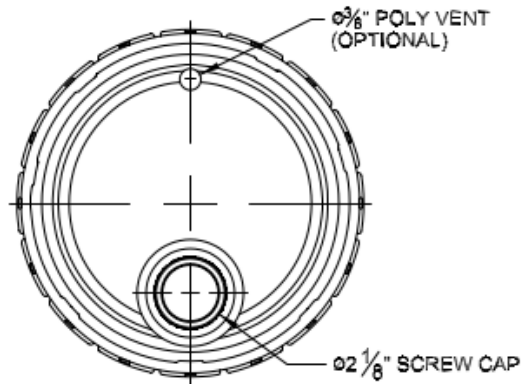
Destacker Lug Cover- Unreg- Drawing with Fitting Configuration

Destacker Lug Cover

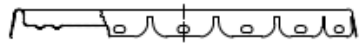
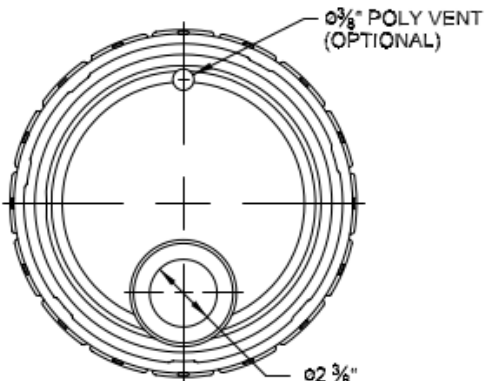
(Non-Regulated)



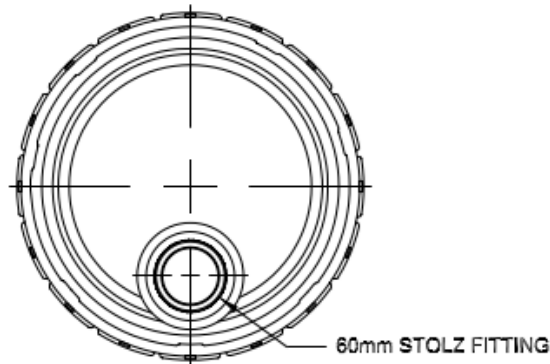
Destacker Cover



Screw Cap:



Rieke Prep:



Stolz Fitting:

NOTES:

1. Fits all Steel pails 2.5 gallon to 7.0 gallon.

COVER GASKETS AVAILABLE
Flow - in Gasket
G1 - EPDM Tubular Gasket
G2 - Neoprene Tubular Gasket - White
G3 - Neoprene Tubular Gasket - Black
G3Q - Neoprene Tubular Gasket
G6 - SBR Tubular Gasket - Black (small dia)

DISCLAIMER

THIS INFORMATION IS PROVIDED AS A GENERAL GUIDE, INCLUDING DIMENSIONS. IT IS THE CUSTOMER'S RESPONSIBILITY TO SELECT THE PROPER CONTAINER FOR PRODUCT AND APPLICATION COMPATIBILITY.

DISTRIBUTED BY:



REF NO.:

DWG10004-A

DESCRIPTION:

Destacker Lug Cover- Unreg- Drawing with Fitting Configuration