

## 1842ORB / 1852ORB INSTALLATION INSTRUCTIONS

Please read carefully and save these instructions, as you may need them at a later date.

### CAUTION

**WARNING:** Risk of Fire. Consult a qualified electrician to ensure correct branch circuit conductor. Min 90°C supply conductors.

Turn off the main power at the circuit breaker before installing the fixture, in order to prevent possible shock.

### GENERAL

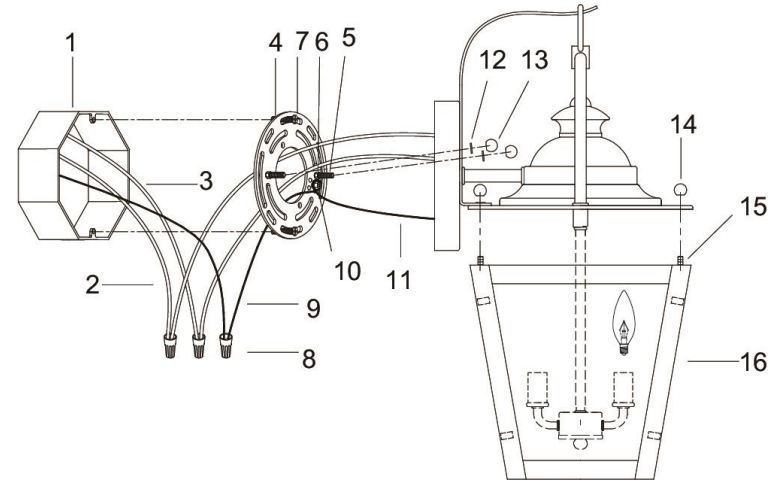
All electrical connections must be in accordance with local and National Electrical Code (N.E.C.) standards. If you are unfamiliar with proper electrical wiring connections obtain the services of a qualified electrician.

Remove the fixture and the mounting package from the box and make sure that no parts are missing by referencing the illustrations on the installation instructions.

### ASSEMBLY AND INSTALLATION

1. Attach the fixture body over the mounting nipple (15) on the fixture frame (16), then secure with the mounting ball nut (14).
2. Attached the mounting plate (4) to the outlet box (1) then secure with the mounting screw (7).
3. Pull out the outlet wire and ground wire from the outlet box (1). Make wire connections  
--Ribbed/White wire (w/o marking) from light to White wire (2) from power source.  
--Smooth/Black wire (w/o marking) from light to Black wire (3) from power source.  
--Loop the ground wire (11) to mounting plate (4) with a green screw (10).
4. Attach the back plate to the mounting plate (4) by inserting the headless screws, then secure it with two rubber pads (12). Lock with ball nut (13).
5. Install bulbs: (bulbs not included)  
(Do not exceed the maximum capacity that's recommended on the sockets).
6. Seal the fixture by putting silicone (not included) around the back plate.

INSTALLATION IS NOW COMPLETED



- |                            |                       |
|----------------------------|-----------------------|
| 1. Outlet Box              | 14. Mounting ball nut |
| 2. White Wire              | 15. Mounting nipple   |
| 3. Black Wire              | 16. Fixture Frame     |
| 4. Mounting Plate          |                       |
| 5. Mounting Screw          |                       |
| 6. Lock Nut                |                       |
| 7. Mounting Screw          |                       |
| 8. Wire Nut                |                       |
| 9. House Grounding Wire    |                       |
| 10. Green Grounding Screw  |                       |
| 11. Fixture Grounding Wire |                       |
| 12. Rubber Pad             |                       |
| 13. Ball Nut               |                       |