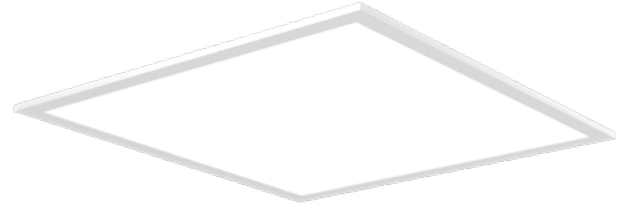


DATE:	LOCATION:
TYPE:	PROJECT:
CATALOG #:	

tradeSELECT®

FEATURES

- Switchable Lumen technology: 4400/3300/2750 lumens (1x4 and 2x2)
5500/4400/3300 lumens (2x4)
- Switchable CCT technology: 3500/4000/5000K
- 1x4, 2x2, and 2x4 sizes
- 80 CRI
- 0–10V 1% Dim to Dark Standard
- Universal voltage (120V–277V)
- IC rated
- Smooth even illumination across the face of the luminaire
- All CBT LSCS Generation A units are priced as single units and must be ordered as single units in even quantities, as this product is packed two fixtures per box.



SPECIFICATIONS

CONSTRUCTION

- Aluminum lens frame has a matte white finish
- Luminaire housing is die formed code-gauge steel

OPTICS

- Acrylic micro-optics over each LED provide edge to edge illumination without pixelation or bright spots
- Frosted/textured lens provides smooth surface brightness

INSTALLATION

- Integral T-bar clips for secure mounting to grid ceiling
- For surface mount applications use surface mount kit accessories
- For plaster or sheet rock installations, use flange kit accessories

ELECTRICAL

- 60,000 hour LEDs at L70 for reduced maintenance
- Operates at 120–277V. 1V minimum low-end trim recommended when paired with a 0-10V dimmer.
- 0–10V 1% Dim to Dark driver is standard. See additional info on page xx
- Switchable Lumen fixtures ship at the highest lumen output, 3500K CCT

CERTIFICATIONS

- All luminaires are built to UL 1598 standards and bear appropriate cULus labels
- Damp location label standard
- Adheres to LM79, LM80, and TM21 industry

standards for photometrics and lifetime calculations

WARRANTY

- 5 year warranty

KEY DATA	
Lumen Range	3044–8018
Wattage Range	24–65
Efficacy Range (LPW)	117–136
Reported Life (Hours)	L70/60,000

ORDERING GUIDE

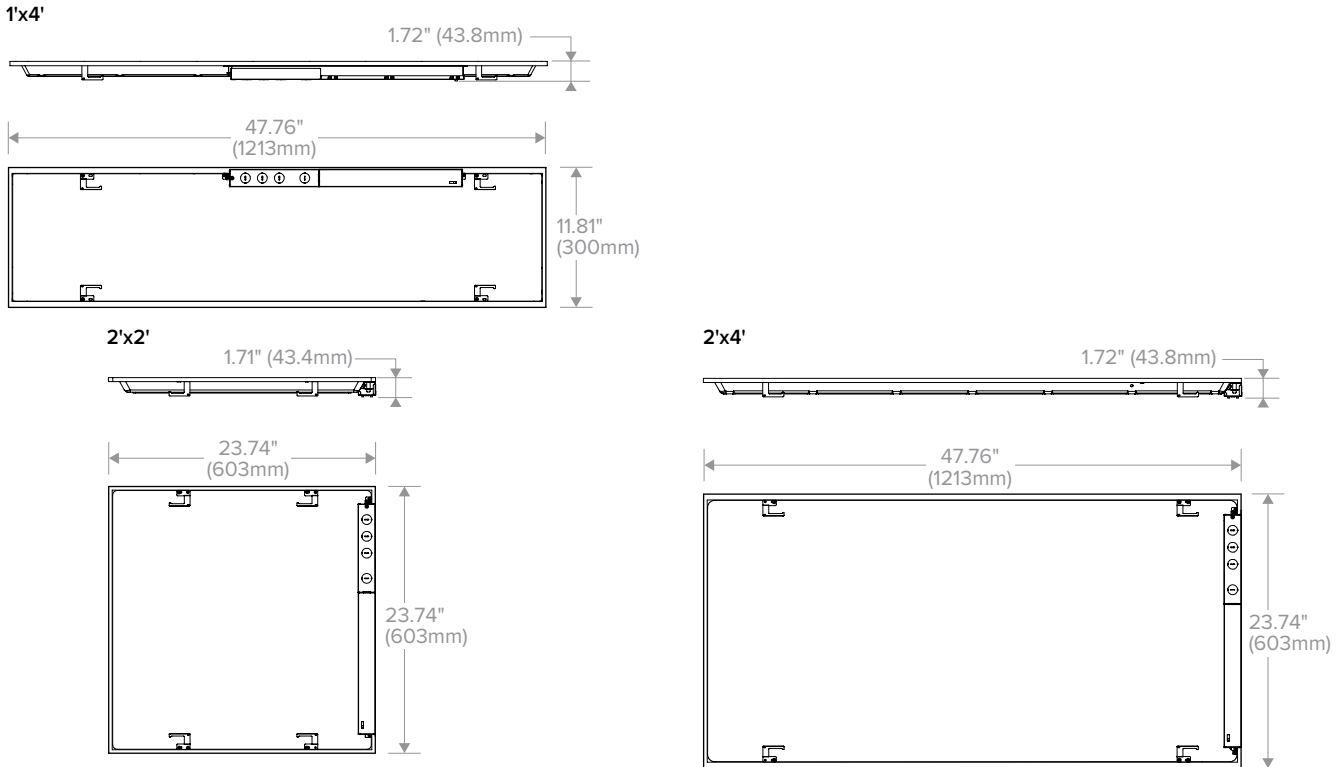
Catalog No.	Part #	UPC	Description	Setting	Lumens			Watts		LPW		
					3500K	4000K	5000K	3500K	4000K	5000K	3500K	4000K
<input type="checkbox"/> CBT24-LSCS	93157353	840141405438	2x4 Back-Lit Troffer, 5500/4400/3300 Switchable Lumens, 3500/4000/5000K Switchable CCT	LOW	3595	3733	3702	28	130	135	134	
				MED	4951	5185	5090	38	130	136	134	
				HIGH	5937	6211	6053	48	123	129	125	
<input type="checkbox"/> CBT24-75CS	93157354	840141405445	2x4 Back-Lit Troffer, 7500 Lumens, 3500/4000/5000K Switchable CCT	-	7611	8018	7823	65	117	123	120	
<input type="checkbox"/> CBT24-75CS-ELL10	93157364	840141405544	2x4 Back-Lit Troffer, 7500 Lumens, 3500/4000/5000K Switchable CCT, 1000 Lumen Emergency Battery Pack	-	7611	8018	7823	65	117	123	120	

Accessories (Order Separately)

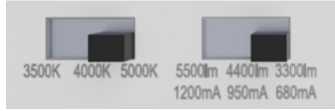
- FK14** 1x4 Single Flange Kit
- FK22** 2x2 Single Flange Kit
- FK24** 2x4 Single Flange Kit
- SRPSMK14** 1x4 Surface Mount Kit¹
- SRPSMK22** 2x2 Surface Mount Kit¹
- SRPSMK24** 2x4 Surface Mount Kit¹

Notes:
1 Surface Mount kits not compatible with ELL10.

DIMENSIONS



ADDITIONAL INFORMATION



Switchable Lumen / Switchable CCT technology

0-10V DIMMER COMPATIBILITY

Fixture operates at 120-277V. 0-10V dimmable driver, down to 10%.
1V minimum low-end trim recommended when paired with a 0-10V dimmer.
List of suitable dimmers based on laboratory testing. Compatibility must be verified by customer before install. Columbia cannot guarantee dimmer compatibility

- NX Lighting Controls RSD710
- NX Lighting Controls PSD710
- Lutron® Diva DVST
- Leviton® IP710
- Leviton® AWSMT-7DW
- Eaton® DF10P-C1
- Synergy® ISD BC120/277
- Enerlites® 51300L

PHOTOMETRY

CBT24-LSCS

LUMINAIRE DATA

Test No.	CBT24-LSCS_4000K_28W
Description	CBT Back-lit Troffer 2'x4' 4000K 28W
Delivered Lumens	3777
Watts	26.91
Efficacy	140
Mounting	Recessed
Spacing Criterion	0° = 1.30 90° = 1.29

ZONAL LUMEN SUMMARY

Zone	Lumens	% Luminaire
0-30	971	25.7
0-40	1608	42.6
0-60	2913	77.1
0-90	3774	100.0
0-180	3777	100.0

POLAR GRAPH

