

# RIGID • IMC

U-Bolts for Rigid Conduit • IMC • EMT



## Applications

Designed to secure Rigid conduit, IMC, or EMT perpendicular to beam, channel and angle supports

## Features

- Two hex nuts
- RoHS compliant

## Standard Materials

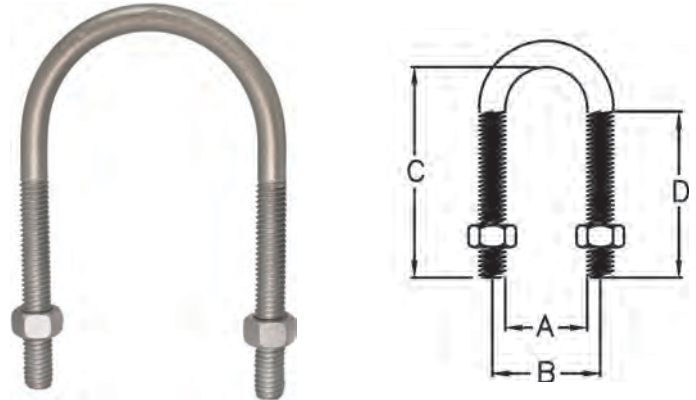
Steel U-Bolts and nuts  
Malleable iron

## Standard Finish

U-Bolt - Mechanically galvanized

## Applicable Third Party Standards

- UL Standard: 2239
- UL Listed File # E213669



RIGID • IMC

CATALOG NUMBER	TRADE SIZE	THREAD SIZE	DIM A	DIM B	DIM C	DIM D	INNER PACK	MASTER PACK	WEIGHT PER C
SUBM50KON	1/2"	5/16 - 18	1.000	1.250	2.500	1.813	100	1000	12.5
SUBM75KON	3/4"	5/16 - 18	1.125	1.375	2.813	1.813	100	500	15.6
SUBM100KON	1"	5/16 - 18	1.375	1.625	3.063	1.813	50	500	15.7
SUBM125KON	1-1/4"	5/16 - 18	1.750	2.000	3.188	1.813	50	250	15.8
SUBM150KON	1-1/2"	5/16 - 18	2.000	2.375	3.500	1.813	—	25	18.8
SUBM200KON	2"	3/8 - 16	2.500	2.500	4.500	2.625	—	25	31.3
SUBM250KON	2-1/2"	3/8 - 16	3.000	3.250	4.875	2.625	—	25	31.4
SUBM300KON	3"	3/8 - 16	3.625	3.875	5.375	2.625	—	25	37.5
SUBM350KON	3-1/2"	3/8 - 16	4.063	4.563	5.875	2.625	—	20	40.6
SUBM400KON	4"	3/8 - 16	5.313	5.063	6.688	2.625	—	10	43.4