

SONANCE

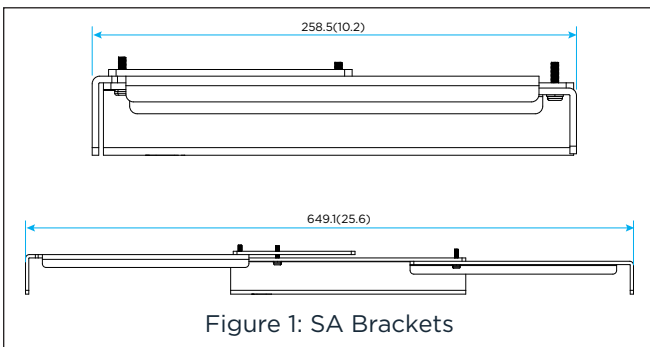
SA4-66 SMALL APERTURE SERIES SPEAKER ENCLOSURE QUICKSTART GUIDE

BOX CONTENTS

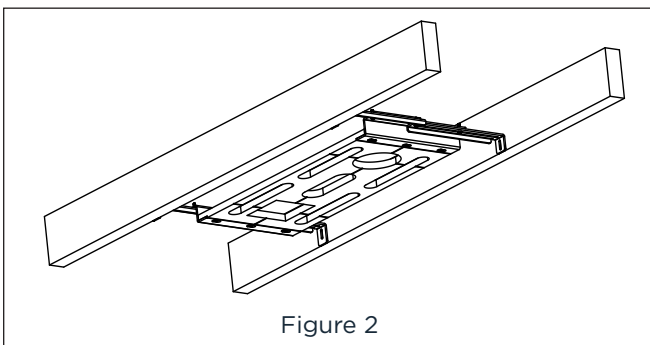
- Quickstart Guide
- SA4-66 ENC
- Mounting Brackets and Alignment Board
- Wood Screws
- 6-32 Philips Machine Screws
- Space Savers (1 x Round & 1 x Square)

INSTALLATION

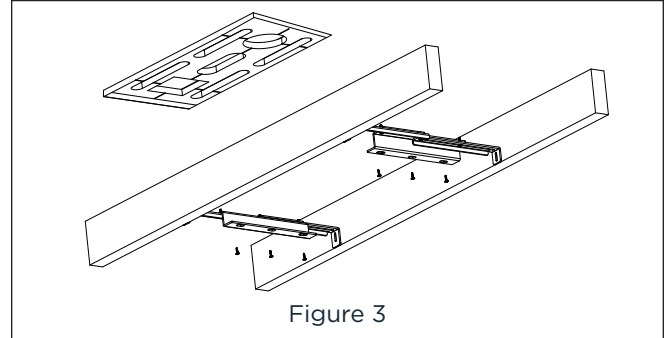
1. **Fix the Brackets and Alignment Board assembly to the joists.** The brackets are designed for 16" on-center constructions; however, they can be adjusted to accommodate from 11" to 24" spacing between inner faces of joists.



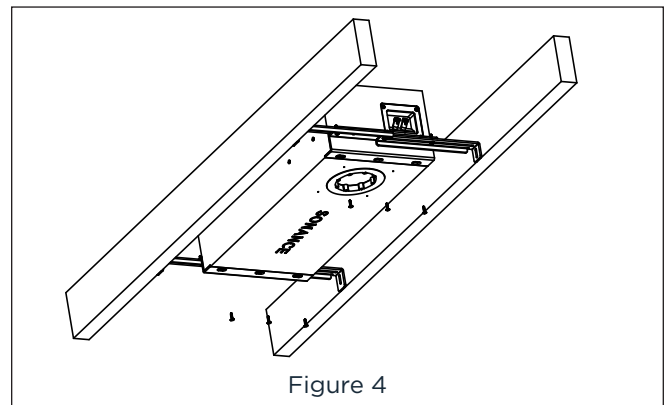
2. **Expand the bracket with the attached alignment board to fit from joist to joist.** Then fix to the joists using a drywall screw (drywall screws not included). Make certain the bracket is flush with the joists. Tighten the screws on the bracket arms to securely fix them in place (Figure 2).



3. **Remove the alignment board.** Remove the six screws (three per side) that hold the alignment board to the brackets (see Figure 3). Discard screws.



4. **Install the enclosure.** Lift the enclosure over the brackets and rest the enclosure in place on the brackets. Secure the enclosure with the six included wood screws (three per side, see Figure 4). You can adjust the side-to-side position of the enclosure by loosening the bracket screws, sliding the bracket, then re-tightening the screws.
5. **Double check that the enclosure is flush with joists.** Adjust if needed (loosen the bracket slightly and adjust the speaker's position up or down or as required).



6. **Strip and insert wires into terminals.** Minimum 18-gauge wire, heavier gauges for longer wire runs.
7. **Test the speaker to ensure all components are working properly.** Connect the module if available to test the full range of the speaker's sound. If no module is used, you will only hear the woofer output.
8. **Install Spacers and Space Savers as needed.** Select the appropriate spacers to match the thickness of your installation substrate. Add the Space Saver on top of the stack (see Figure 5). This can be adjusted later as needed. For flush installations, see the complete instructions in the SA4-66 product manual.

Scan QR Code to view the Small Aperture Installation Video.

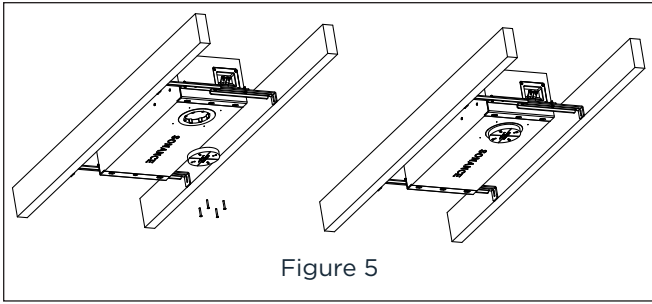


Figure 5

9. **Safely store the grille and the tweeter module until ready for finishing.** Requires speaker module: SA4-66-MOD.
10. **Continue with finishing the surface** (drywall, mud, tape, etc.).