

Rite-Temp® | K-28304-KS

Thermostatic valve body and cartridge kit with service stops

Features

- Includes valve body, thermostatic cartridge, rough-in guide and mud guard
- 1/2" Universal NPT and direct sweat inlets and outlets with stops (installed)
- Service stops include integral check valves
- 9 gpm (34 l/min) maximum flow rate at 45 psi
- Single lever design cycles from off through cold to hot
- One-piece cartridge design simplifies installation and maintenance
- Adjustable high-temperature limit stop to control maximum water temperature
- Requires valve trim to complete installation (sold separately)



Available Colors/Finishes

Color tiles intended for reference only.

^{NA} NA Not Applicable



Codes/Standards

ASME A112.18.1/CSA B125.1

ASSE 1016/ASME A112.1016/CSA B125.16

Material

- Forged dezincification-resistant brass body provides long term reliability and resistance to aggressive water conditions
-

Technology

- Thermostatic technology automatically maintains outlet temperature within +/- 3.6°F (+/- 2°C) during water pressure fluctuations
-

Warranty

See website for detailed warranty information.

KOHLER® Faucet Lifetime Limited Warranty

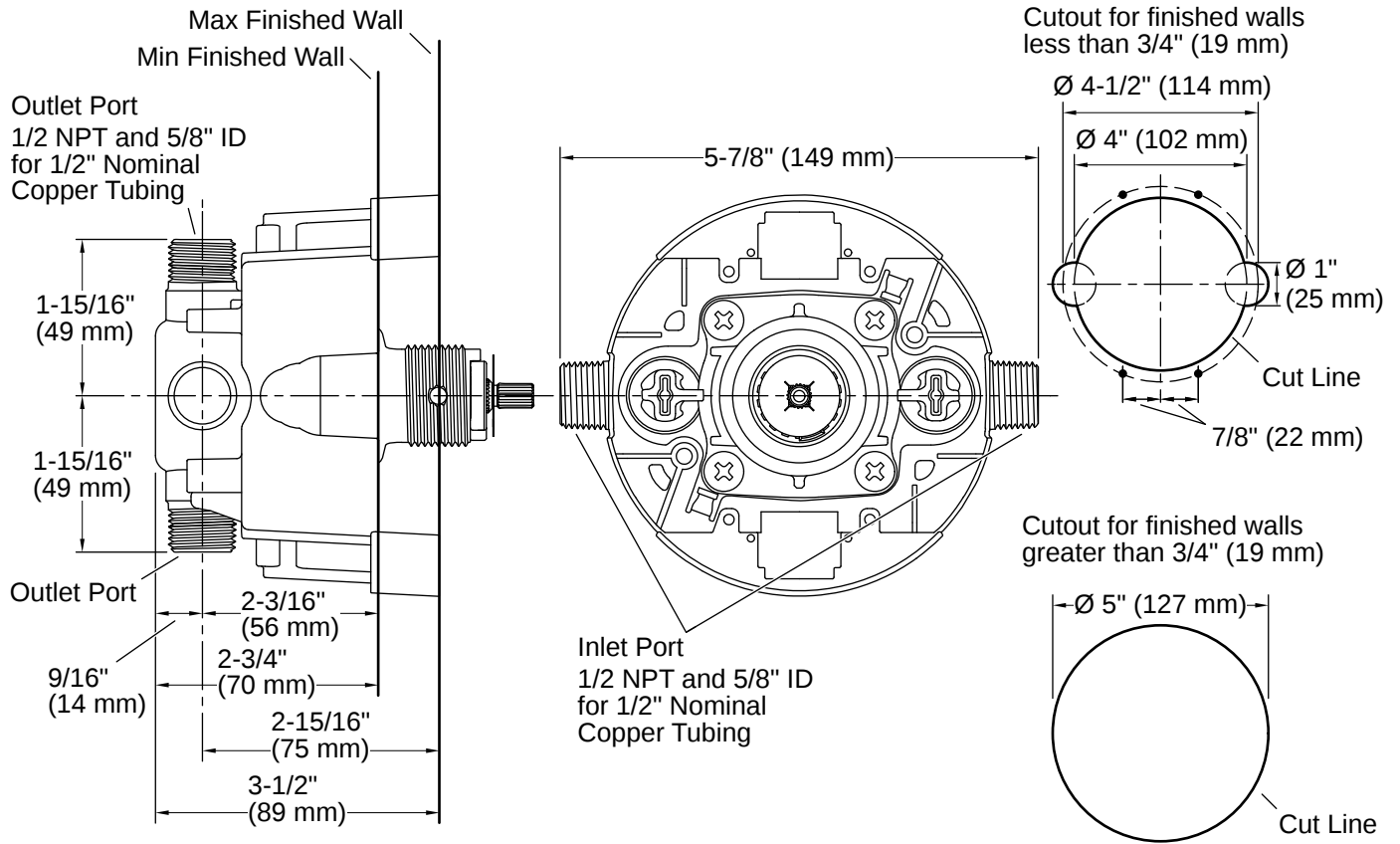


1-800-4KOHLER (1-800-456-4537)

Kohler Co. reserves the right to make revisions without notice to product specifications.

For the most current specification sheet, go to www.kohler.com USA or www.kohler.ca Canada.

5-30-2026 5:8 - US-CA



Installation

- Designed for use in standard, back-to-back, and thin wall installations
- Valve body features integral mounting locations and symmetrical valve inlets to simplify installation
- Cartridge is reversible for installations where hot and cold supplies are reversed
- Rough-in guide designed for both standard and thin wall installations
- Installed valve rough-in can be flushed and pressure-tested to 150 psi max (air or water) without cartridge by using included test cap

Installation Notes

Install this product according to the installation instructions.

For use with showerheads or handsprays rated at 1.5 gal/min (5.7 l/min) or higher.

Required pressure differential: +\-5 psi

