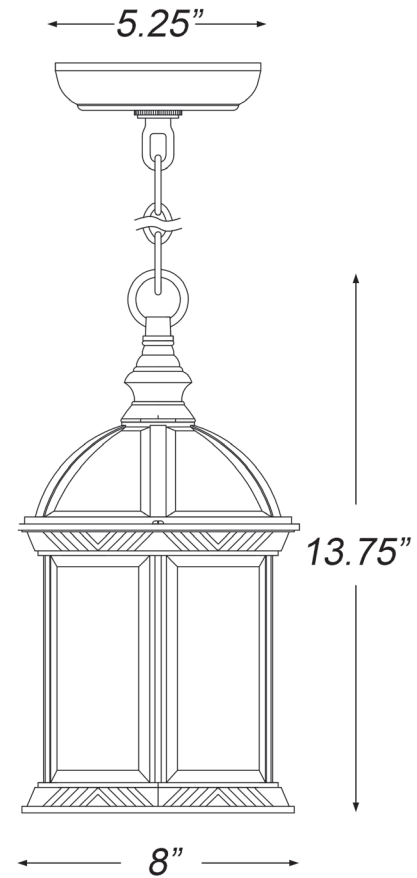


5276BK

DOVER 1-LIGHT HANGING LANTERN



Description:	Dover 1-light hanging lantern
Finish:	Matte black
Dimensions:	8" W x 13-3/4" H
Bulbs:	1-100w med.
Installed Weight:	3.7 lbs.
Certification:	Damp location / c UL

Material:	Cast aluminum
Shade:	Glass
Glass:	Clear beveled
Canopy Dimensions:	5-1/4" dia.
Chain/Wire:	5' chain, 10' wire
Additional Finishes:	Burled walnut