

**INSTALLER:** PLEASE FAMILIARIZE YOURSELF WITH THIS MANUAL BEFORE PROCEEDING WITH THE INSTALLATION. LEAVE THIS MANUAL WITH THE APPLIANCE FOR FUTURE REFERENCE.  
**CONSUMER:** RETAIN THIS MANUAL FOR FUTURE REFERENCE.



# INSTALLATION AND OPERATING INSTRUCTIONS

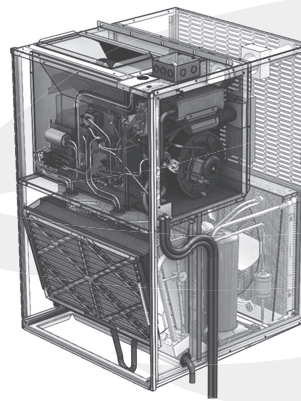
## THRU-THE-WALL PACKAGED UNIT

CONFORMS TO ANSI/UL STD. 1995, ANSI STD. Z21.47  
 CERTIFIED TO CAN/CSA STD. C22.2 NO. 236,  
 CAN/CSA STD. 2.3 AND CAN/CGA STD. 2.17



### P-C SERIES

**CONDENSING GAS HEAT & ELECTRIC COOLING**



11 EER  
 1.0 ton & 1.5 ton



THE HIGHEST EFFICIENCY THRU-THE-WALL SELF CONTAINED HEATING & COOLING UNIT

### ⚠ WARNING ⚠

**ELECTRICAL SHOCK, FIRE OR EXPLOSION HAZARD**

FAILURE TO FOLLOW SAFETY WARNINGS AND INSTRUCTIONS EXACTLY COULD RESULT IN SERIOUS INJURY, DEATH OR PROPERTY DAMAGE.

IMPROPER INSTALLATION, ADJUSTMENT, ALTERATION, SERVICE, OR MAINTENANCE CAN CAUSE INJURY OR PROPERTY DAMAGE. REFER TO THIS MANUAL. INSTALLATION AND SERVICE MUST BE PERFORMED BY A QUALIFIED INSTALLER, SERVICE AGENCY, OR THE GAS SUPPLIER.

UNIT CONTAINS R-410A REFRIGERANT AND POE COMPRESSOR OIL. USE ONLY R-410A REFRIGERANT AND APPROVED POE COMPRESSOR OIL. PROPER SERVICE EQUIPMENT IS REQUIRED. USE ONLY R-410A APPROVED SERVICE EQUIPMENT.

FOR YOUR SAFETY, DO NOT STORE OR USE GASOLINE OR OTHER FLAMMABLE VAPORS AND LIQUIDS IN THE VICINITY OF THIS OR ANY OTHER APPLIANCE. SUCH ACTIONS COULD RESULT IN PROPERTY DAMAGE, PERSONAL INJURY, OR DEATH.

### ⚠ CAUTION ⚠

INSTALLATION SHALL BE MADE IN ACCORDANCE WITH THE REQUIREMENTS OF THE LOCAL AUTHORITIES HAVING JURISDICTION, AND WITH THE NATIONAL FUEL GAS CODE, ANSI Z223.1 (LATEST EDITION) AND THE NATIONAL ELECTRICAL CODE IN THE UNITED STATES OR CAN/CGA-B149.1 & .2 AND THE CANADIAN ELECTRICAL CODE CSA C22.1 PART 1 (LATEST EDITION) IN CANADA. ANY ALTERATION OF INTERNAL WIRING WILL VOID CERTIFICATION AND WARRANTIES.

### ⚠ IMPORTANT ⚠

- Installation and service must be performed by a qualified installer, service agency or the gas supplier.
- Before servicing, disconnect all electrical power to unit.
- When servicing controls, label all wires prior to disconnecting. Reconnect wires correctly.
- Verify proper operation after servicing.
- Do not store or use gasoline or other flammable vapors and liquids in the vicinity of this or any other appliance.
- After installing the unit, show user locations of main electrical disconnect switch to Condo Pack and how the unit can be de-energized using switch.

**WHAT TO DO IF YOU SMELL GAS:**

- Do not try to light any appliance.
- Do not touch any electrical switch; do not use any phone in your unit.
- Leave the unit immediately.
- Immediately call your gas supplier from a neighbor's phone. Follow the gas supplier's instructions.
- If you cannot reach your gas supplier, call the fire department.

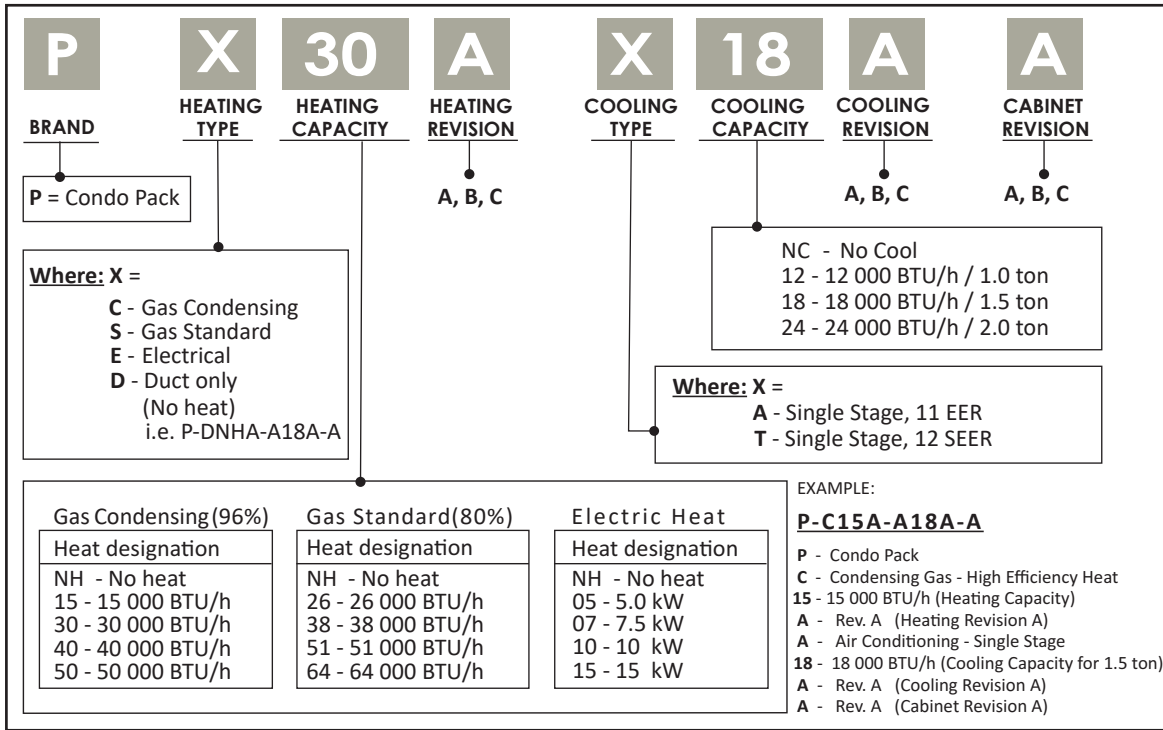
MANUFACTURER RESERVES THE RIGHT TO DISCONTINUE, OR CHANGE AT ANY TIME, SPECIFICATIONS OR DESIGNS WITHOUT NOTICE AND WITHOUT INCURRING OBLIGATIONS.

Wolf Steel Ltd., 24 Napoleon Rd., Barrie, ON, L4M 0G8 Canada /  
 103 Miller Drive, Crittenden, Kentucky, USA, 41030  
 • Phone (866) 820-8686 • hvac@napoleon.com •  
 • www.napoleon.com •

# TABLE OF CONTENTS

<b>1. MODEL NOMENCLATURE</b> .....	<b>3</b>
<b>2. OVERVIEW</b> .....	<b>3</b>
<b>3. SAFETY</b> .....	<b>4</b>
3.1 SAFETY SYMBOLS AND WARNINGS .....	4
3.2 SAFETY RULES .....	7
3.3 CODES .....	8
<b>4. INSTALLATION</b> .....	<b>9</b>
4.1 UNIT DIMENSIONS .....	10
4.2 UNIT LOCATION AND CLEARANCES .....	11
4.3 PACKAGED UNIT PREPARATION .....	17
4.4 WALL SLEEVE ASSEMBLY AND INSTALLATION .....	18
4.5 UNIT SUPPORT .....	25
4.6 GASKETING ON WALL SLEEVE .....	26
4.7 PACKAGED UNIT INSTALLATION .....	27
4.8 DUCTWORK .....	29
4.9 CONDENSATE DRAIN CONNECTION .....	31
4.10 VENTING AND COMBUSTION PIPING .....	33
4.11 GAS SUPPLY AND PIPING .....	33
4.12 GAS CONNECTIONS .....	33
4.13 GAS INLET PRESSURE .....	34
4.14 LEAK TESTING .....	35
4.15 PURGING GAS LINES .....	35
4.16 CONVERSIONS .....	35
4.17 ELECTRICAL .....	38
<b>5. STARTUP AND SHUTDOWN</b> .....	<b>48</b>
5.1 FURNACE STARTUP .....	48
5.2 FURNACE SHUTDOWN .....	49
5.3 AIR CONDITIONING STARTUP .....	49
5.4 AIR FLOW .....	50
<b>6. MAINTENANCE</b> .....	<b>52</b>
6.1 GENERAL SAFETY RULES .....	52
6.2 COOLING CHASSIS .....	53
6.3 AIR FILTER .....	53
6.4 LUBRICATION .....	53
6.5 GAS METER .....	54
6.6 ROUTINE MAINTENANCE .....	54
<b>7. TROUBLESHOOTING</b> .....	<b>55</b>
7.1 FURNACE TROUBLESHOOTING CHART .....	55
7.2 AIR CONDITIONING TROUBLESHOOTING .....	56
7.3 ADJUSTING SYSTEM CHARGE .....	57
7.4 DIAGNOSTIC CODES FOR STATUS LED .....	58
7.5 FAULT CODE HISTORY .....	58
7.6 HIGH WIND DIFFUSER INSTALLATION.....	59
<b>8. CONDENSING GAS CONDO PACK REPLACEMENT PARTS</b> .....	<b>60</b>
8.1 CONDENSING GAS CONDO PACK CABINET .....	60
8.2 AIR CONDITIONING MODULE .....	62
8.3 CONDENSING GAS HEATING MODULE .....	65
<b>9. OWNER'S SERVICE INFORMATION</b> .....	<b>68</b>
<b>10. WARRANTY</b> .....	<b>69</b>

# 1. MODEL NOMENCLATURE



# 2. OVERVIEW

These instructions cover the installation of the Condo Pack, which consists of four separate sections: the wall sleeve, the cabinet, the air conditioning (AC) and the furnace modules. Instead of replacing the complete system, the AC and furnace modules can be partially or fully removed for servicing. All control harnesses are separated with modular quick disconnects, so module replacements do not require rewiring.

Both modules have been factory run-tested and ready for easy installation as a complete package. This unit, equipped with a high efficiency furnace module, is certified as a Category IV direct vent central forced air furnace.

These instructions are intended as an aid to the licensed service technician. Improper installation may damage equipment, void the warranty, and can create a hazard, resulting in injury or death. Our HVAC systems and components are designed to be installed by qualified HVAC technicians ONLY.

The installation of HVAC systems includes electrical, gas, and refrigerant connections and is regulated by a multiple set of laws, codes and guidelines, at the federal, state and local levels. It is the installer's responsibility to install the product in accordance with all applicable codes and regulations. It is the home owner's responsibility to properly maintain the equipment. NO WARRANTY is offered for the products that were installed by unlicensed/unauthorized persons. Failure to comply with this policy could lead to violations of applicable laws that are punishable.

Documentation and specifications are continuously updated and subject to change. Please download the latest version of specifications and manuals at <http://www.condopack.com>.

## 3. SAFETY

Only trained service technicians familiar with standard service instructions and training materials should attempt installation, service, and repair of these units. Improper installation, adjustment, alteration, service, maintenance, or use can cause explosion, fire, electrical shock, or other conditions which may cause death, personal injury, or property damage. For information and assistance, consult a qualified installer, service agency, your distributor or branch.

Follow all safety codes. Wear safety glasses, protective clothing, and work gloves. Have fire extinguisher available. Read instructions thoroughly and follow all warnings or cautions included in literature and attached to the unit. Consult federal, provincial, state, and local codes for special requirements.

### 3.1 SAFETY SYMBOLS AND WARNINGS

Understand and pay particular attention to the words DANGER, WARNING, and CAUTION and the following defined symbols are used throughout this manual to notify the reader of potential hazards of varying risk levels.
<b>⚠ DANGER ⚠</b>
<b>INDICATES AN IMMINENTLY HAZARDOUS SITUATION WHICH, IF NOT AVOIDED, WILL RESULT IN DEATH OR SERIOUS INJURY.</b>
<b>⚠ WARNING ⚠</b>
<b>INDICATES A POTENTIALLY HAZARDOUS SITUATION WHICH, IF NOT AVOIDED, COULD RESULT IN DEATH OR SERIOUS INJURY.</b>
<b>⚠ CAUTION ⚠</b>
<b>INDICATES A POTENTIAL HAZARDOUS SITUATION WHICH, IF NOT AVOIDED, MAY RESULT IN MINOR OR MODERATE INJURY. IT MAY ALSO BE USED TO ALERT AGAINST UNSAFE PRACTICES.</b>
<b>⚠ IMPORTANT ⚠</b>
<b>SUGGESTS IMPORTANT PROCEDURE STEPS TO INSURE PROPER INSTALLATION, RELIABILITY, OR OPERATION.</b>
<b>NOTE</b>
<b>HIGHLIGHTS SUGGESTIONS WHICH WILL RESULT IN ENHANCED INSTALLATION, RELIABILITY, OR OPERATION.</b>

H3.3.2. Safety Symbols



**⚠ WARNING ⚠**

IF THE INFORMATION IN THESE INSTRUCTIONS IS NOT FOLLOWED EXACTLY, A FIRE OR EXPLOSION MAY RESULT, CAUSING PROPERTY DAMAGE, PERSONAL INJURY OR DEATH.

**FOR YOUR SAFETY**

DO NOT STORE OR USE GASOLINE OR OTHER FLAMMABLE VAPORS AND LIQUIDS, OR OTHER COMBUSTIBLE MATERIALS IN THE VICINITY OF THIS OR ANY OTHER APPLIANCE.

**WHAT TO DO IF YOU SMELL GAS**

- DO NOT TRY TO LIGHT ANY APPLIANCE.
- DO NOT TOUCH ANY ELECTRICAL SWITCH; DO NOT USE ANY PHONE IN YOUR UNIT.
- IMMEDIATELY CALL YOUR GAS SUPPLIER FROM A NEIGHBOR'S PHONE, OR A CELLULAR PHONE FROM A LOCATION WELL AWAY FROM THE UNIT. FOLLOW THE GAS SUPPLIER'S INSTRUCTIONS.
- IF YOU CANNOT REACH YOUR GAS SUPPLIER, CALL THE FIRE DEPARTMENT.
- DO NOT RE-ENTER THE UNIT UNTIL AUTHORIZED TO DO SO BY THE GAS SUPPLIER OR THE FIRE DEPARTMENT.

IMPROPER INSTALLATION, ADJUSTMENT, ALTERATION, SERVICE OR MAINTENANCE CAN CAUSE INJURY, PROPERTY DAMAGE OR LOSS OF LIFE. REFER TO THIS MANUAL.

INSTALLATION AND SERVICE MUST BE PERFORMED BY A QUALIFIED INSTALLER, SERVICE AGENCY OR THE GAS SUPPLIER.

H3.3.3. GS\_CP

**⚠ WARNING ⚠**

FOR PROPER AND SAFE OPERATION THE FURNACE NEEDS AIR FOR COMBUSTION AND VENTILATION. DO NOT BLOCK OR OBSTRUCT AIR OPENINGS ON THE FURNACE, AIR OPENINGS TO THE AREA IN WHICH THE FURNACE IS INSTALLED, AND THE SPACINGS AROUND THE FURNACE.

**⚠ WARNING ⚠**

SHOULD THE GAS SUPPLY FAIL TO SHUT OFF OR IF OVERHEATING OCCURS, SHUT OFF THE GAS VALVE TO THE FURNACE BEFORE SHUTTING OFF THE ELECTRICAL SUPPLY.

**⚠ WARNING ⚠**

DO NOT USE THIS FURNACE IF ANY PART HAS BEEN UNDER WATER. A WATER DAMAGED FURNACE IS EXTREMELY DANGEROUS. ATTEMPTS TO USE THE FURNACE CAN RESULT IN FIRE OR EXPLOSION. A QUALIFIED SERVICE AGENCY SHOULD BE CONTACTED TO INSPECT THE FURNACE AND TO REPLACE ALL GAS CONTROLS, CONTROL SYSTEM PARTS, ELECTRICAL PARTS THAT HAVE BEEN WET OR THE FURNACE IF DEEMED NECESSARY.

**⚠ WARNING ⚠**

**THIS INFORMATION IS INTENDED FOR USE BY QUALIFIED HVAC TECHNICIANS. ANY ATTEMPT TO REPAIR A CENTRAL AIR CONDITIONING PRODUCT MAY RESULT IN PERSONAL INJURY AND/OR PROPERTY DAMAGE. THE MANUFACTURER OR SELLER CANNOT BE RESPONSIBLE FOR THE INTERPRETATION OF THIS INFORMATION, NOR CAN IT ASSUME ANY LIABILITY IN CONNECTION WITH ITS USE.**

**⚠ CAUTION ⚠**

- UNIT CONTAINS R-410A REFRIGERANT AND POE COMPRESSOR OIL.
- DO NOT SUBSTITUTE REFRIGERANT AND COMPRESSOR OIL BY ANY OTHER SUBSTITUTE KIND.
- USE ONLY R-410A RATED COMPONENTS & SERVICE EQUIPMENT. FAILURE TO DO SO MAY RESULTS IN EQUIPMENT DAMAGE OR PERSONAL INJURY.
- WHEN OPENING THE SYSTEM FOR COMPONENT REPLACEMENT, MINIMIZE THE EXPOSURE OF THE SYSTEM TO THE ATMOSPHERE AS POE OIL EASILY ABSORBS MOISTURE FROM THE AIR.
- NEVER BREAK A VACUUM WITH AIR AND ALWAYS CHANGE THE FILTER-DRIER WHEN OPENING THE SYSTEM.

**⚠ WARNING ⚠**

**HOT SURFACE! DO NOT TOUCH TOP OF COMPRESSOR. COMPRESSOR AND DISCHARGE PIPES MAY BE EXTREMELY HOT. THIS MAY CAUSE MINOR TO SEVERE BURNS.**

**⚠ CAUTION ⚠**

**DURING THE INSTALLATION, TESTING, SERVICING, AND TROUBLESHOOTING OF THIS PRODUCT, IT MAY BE NECESSARY TO WORK WITH ELECTRICAL COMPONENTS. THERE IS A RISK OF ELECTRIC SHOCK WHICH CAN CAUSE INJURY OR DEATH: DISCONNECT ALL REMOTE ELECTRIC POWER SUPPLIES BEFORE SERVICING!**

H3.94\_CP



**⚠ WARNING ⚠**

**THESE INSTRUCTIONS ARE INTENDED AS AN AID TO QUALIFIED SERVICE PERSONNEL FOR PROPER INSTALLATION, ADJUSTMENT AND OPERATION OF THIS UNIT. READ THESE INSTRUCTIONS THOROUGHLY BEFORE ATTEMPTING INSTALLATION OR OPERATION. FAILURE TO FOLLOW THESE INSTRUCTIONS MAY RESULT IN IMPROPER INSTALLATION, ADJUSTMENT, SERVICE OR MAINTENANCE, POSSIBLY RESULTING IN FIRE, ELECTRICAL SHOCK, CARBON MONOXIDE POISONING, EXPLOSION, PROPERTY DAMAGE, PERSONAL INJURY OR DEATH.**

H3.4.2\_CP

### 3.2 SAFETY RULES

1. Use this unit only with type of gas approved for the furnace module. Refer to the unit rating plate.
2. **Store this unit only in dry indoor locations (protected from weather).**
3. DO NOT install this unit outdoors or in a mobile home, trailer or recreational vehicle. This appliance is not designed/certified for these installations.
4. DO NOT install unit in a corrosive or contaminated atmosphere.
5. For lighting and shutting down the furnace refer to section "5. Startup and Shutdown", of this manual.
6. Install this unit only in dry indoor locations **(protected from weather and extreme cold temperatures)**.
7. Provide adequate combustion and ventilation air to the unit space as specified in section "4.10 Venting and Combustion Piping".
8. Combustion products must be discharged outdoors using factory installed vent system only, as specified in section "4.10 Venting and Combustion Piping".
9. Never test for gas leaks with an open flame. Use a commercially available soap solution made specifically for the detection of leaks to check all connections as specified in "4.11 Gas Supply and Piping" section.
10. Both Supply and Return Air must be ducted to the appliance from rooms separate to the enclosure housing the appliance. Be sure that duct system has external static pressure within allowable operating range (as listed on unit's Rating Plate). Completely seal supply and return air ducts to unit casing. See Section "4.8 Ductwork" for more detail.
11. Return air must be ducted to the appliance from a separate room(s) **within the conditioned space. Fresh make up air must never be added directly to RETURN air duct; fresh make up air must always be brought in via either an external HRV system before adding it to the RETURN air duct or by standard mechanism mandated by local building codes and jurisdiction. Not following standard practice for fresh make up air may result in abnormal unit operation or premature system failure causing warranty to be voided.**
12. Always install unit to operate within the temperature-rise range and an external static pressure range (ducting), as listed on the unit rating plate.
13. A gas-fired unit for installation in a storage garage must be installed so that the ignition sources, including blowers and contactors (See page 17, "IMPORTANT", 1a.), are no less than 18" (457 mm) above the floor. The unit must be located, or protected to avoid physical damage by vehicles. See safety warnings.
14. **Return air temperature range that must be maintained is:**
  - **between 55°F (13°C) and 80°F (27°C) for gas heat and**
  - **between 65°F (18°C) and 90°F (32°C) for air conditioning.**
15. The furnace must be kept free and clear of insulating material. Carefully examine the furnace area when the furnace is installed or/when insulation is added. Insulating material may be combustible.
16. **DO NOT USE FOR HEATING AND COOLING BUILDINGS OR STRUCTURES UNDER CONSTRUCTION!** Units that are damaged or entrained with construction debris will not be covered under warranty.
17. Before installing unit, make sure you know all applicable codes. National, state and local codes may take precedence over any instructions in this manual. Be sure to consult:
  - Authorities having jurisdiction over HVAC system installations;
  - Local code authorities for information on electrical wiring.

 <b>WARNING</b> 
<p><b>WHEN THIS UNIT IS INSTALLED IN A STORAGE GARAGE, IT MUST BE INSTALLED SO THE BURNERS AND IGNITION SOURCE ARE LOCATED NO LESS THAN 18" (457 mm) ABOVE THE FLOOR TO PREVENT THE RISK OF IGNITING FLAMMABLE VAPORS WHICH MAY BE PRESENT IN THE GARAGE.</b></p>
<p><b>THE FURNACE MUST BE LOCATED OR PROTECTED TO AVOID PHYSICAL DAMAGE BY VEHICLES.</b></p>
<p><b>FAILURE TO HEED THESE WARNINGS CAN CAUSE A FIRE OR EXPLOSION, RESULTING IN PROPERTY DAMAGE, PERSONAL INJURY OR LOSS OF LIFE.</b></p>

H3.6.1

### 3.3 CODES

#### 1. This unit must be installed:

- a. In accordance with all local codes, by-laws and regulations by those authorities having jurisdiction.
- b. In Canada, this furnace must be installed in accordance with the current CAN/CGA-B149.1 and B149.2 Natural Gas and Propane Code.
- c. In the United States, this furnace must be installed in accordance with the current ANSI Z223.1 (NFPA 54) National Fuel Gas Code.

#### 2. Electrical connections must be made in accordance with:

- a. Any applicable local codes, by-laws and regulations.
- b. Canada: current edition of CAN/CSA C22.1 and C22.2, Canadian Electrical Code (Part 1 and 2).
- c. United States: current edition of ANSI/NFPA 70, National Electrical Code.

#### 3. Codes and additional information may be obtained from:

Canadian Standards Association  
5060 Spectrum Way  
Mississauga, Ontario, L4W 5N6  
Phone: (416) 747-4000  
website: www.csa.ca

National Fire Protection Association  
1 Batterymarch Park  
Quincy, MA, 02169-7471  
Phone: (617) 770-3000  
website: www.nfpa.org

American Gas Association  
400 North Capitol Street, NW,  
Suite 450  
Washington DC, 20001  
Phone: (202) 824-7000  
website: www.aga.org

## ⚠ WARNING ⚠

**DO NOT INSTALL THIS UNIT IN A MOBILE HOME! THIS UNIT IS NOT APPROVED FOR INSTALLATION IN A MOBILE HOME. DOING SO COULD CAUSE FIRE, PROPERTY DAMAGE, PERSONAL INJURY OR LOSS OF LIFE.**

**THE FURNACE CONTAINS FOIL COVERED FIBERGLASS INSULATION. INHALATION OF FIBERGLASS PARTICLES IS ASSOCIATED WITH RESPIRATORY DISEASE INCLUDING CANCER.**

**NATURAL GAS AND PROPANE ARE NORMALLY ODORIZED BY THE FUEL SUPPLIER. IN SOME CASES, THE ODORANT MAY NOT BE PERCEIVABLE. INSTALLATION OF UL AND ULC RECOGNIZED FUEL GAS DETECTORS INSTALLED IN ACCORDANCE WITH THEIR MANUFACTURER'S INSTRUCTIONS ARE RECOMMENDED AS AN ADDITIONAL MARGIN OF SAFETY.**

**THE EXHAUST GASES FROM THIS FURNACE CONTAIN CHEMICALS WHICH ON SOME OCCASIONS MAY INCLUDE CARBON MONOXIDE. CARBON MONOXIDE IS AN ODORLESS, TASTELESS, CLEAR COLORLESS GAS WHICH IS HIGHLY TOXIC. EVEN LOW CONCENTRATIONS ARE SUSPECTED OF CAUSING BIRTH DEFECTS AND OTHER REPRODUCTIVE HARM.**

**UL AND ULC RECOGNIZED CO DETECTORS ARE REQUIRED FOR ALL BUILDINGS EQUIPPED WITH FOSSIL FUEL BURNING APPLIANCES. ALL CO DETECTORS SHOULD BE INSTALLED IN ACCORDANCE WITH THEIR MANUFACTURER'S INSTRUCTIONS AND APPLICABLE LOCAL BUILDING CODES.**

**FIRE, EXPLOSION OR CARBON MONOXIDE POISONING HAZARD!  
FAILURE TO REPLACE WITH PROPER CONTROL COULD RESULT IN FIRE, EXPLOSION OR CARBON MONOXIDE POISONING.  
REPLACE GAS VALVE ONLY WITH THE SAME MODEL NUMBER OR AS SPECIFIED BY THE MANUFACTURER.**

H3.5.1. GS\_FMW

## 4. INSTALLATION

The unit is shipped in one package, completely assembled and wired. The air conditioning and furnace condensate drains are shipped separately with the unit for field install.

If any damage is found, proper notation should be made on the carrier's freight bill. Damage claims should be filed with the carrier as quickly as possible.

Check the rating plate (at the front of the access panel) to confirm heating and cooling capacities. The unit should be operated only with the type of gas and electrical supply noted on the rating plate.

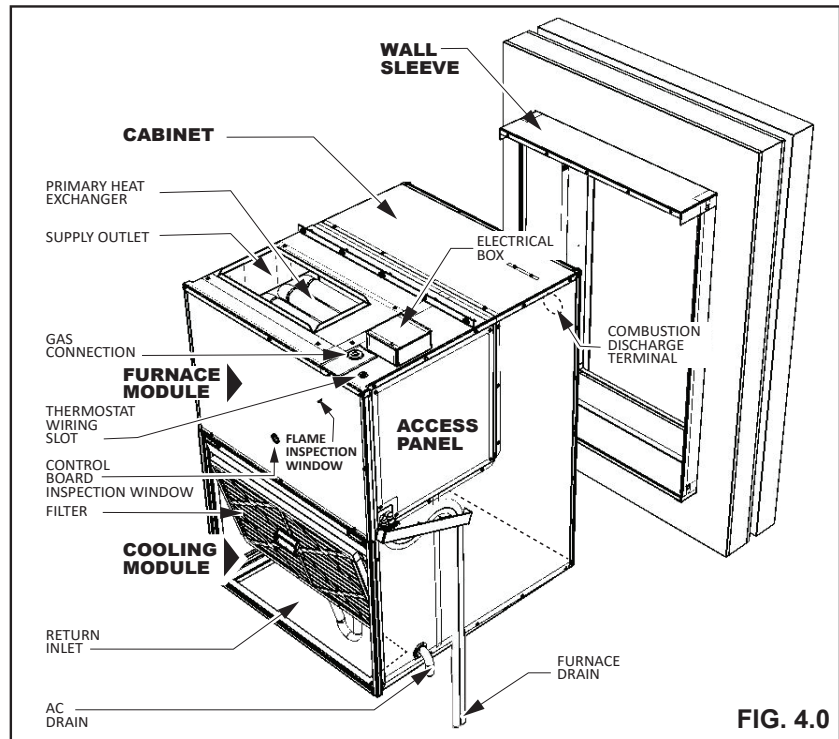


FIG. 4.0

### ⚠ IMPORTANT ⚠

**BEFORE INSTALLATION, REMOVE THE CHASSIS SHIPPING BRACKETS AND REPLACE THE SCREWS BACK TO THE UNIT.**

### ⚠ WARNING ⚠

**DO NOT INSTALL CONDOPACK UNIT IN UNCONDITIONED SPACE. THE AMBIENT OF THE MECHANICAL ROOM IN WHICH HIGH EFFICIENCY CONDENSING GAS CONDOPACK UNIT IS TO BE INSTALLED MUST BE KEPT AT LEAST 55°F IN ORDER TO PREVENT THE CONDENSATE FROM FREEZING DURING HEATING SEASON. THERE MUST NOT BE ANY AIR INFILTRATION FROM OUTDOORS INTO THE MECHANICAL ROOM. ANY OPENINGS IN EXPOSED EXTERIOR WALL FOR DUCTING AND PIPING MUST BE COMPLETELY SEALED.**

The furnace must not be located in an area where the combustion air is laden with chemical compounds such as bromine, chlorine or fluorine, as may be found in swimming pool chemicals, laundry detergents, etc. These compounds when exposed to flame, form acids which attack the heat exchanger and other components.

Exposure to the following substances in the combustion air supply (but not limited to the following) are not allowed, and will affect warranty claims:

- Aerosols, particularly CFC based or propelled aerosols
- Air fresheners
- "Airplane Glue" and similar adhesives and cements
- Ammonia, as commonly found in permanent wave solutions used in hair dressing salons
- Anti-static fabric softeners used in clothes dryers
- Carbon tetrachloride
- Chlorinated cleaners and waxes
- Chlorine and bromine based swimming pool chemicals
- De-icing salts or chemicals (rock salt, etc.)
- Dry cleaning fluids such as perchloroethylene
- Fumes from curing polyurethane and similar substances
- Halogen based refrigerants including R-12 and R-22
- Hydrochloric acid, muriatic acid and other acid based masonry washing and curing materials
- Printer's inks, paint removers, varnishes, varsol, toluene, etc.
- Water softener salt and chemicals



4.1 UNIT DIMENSIONS

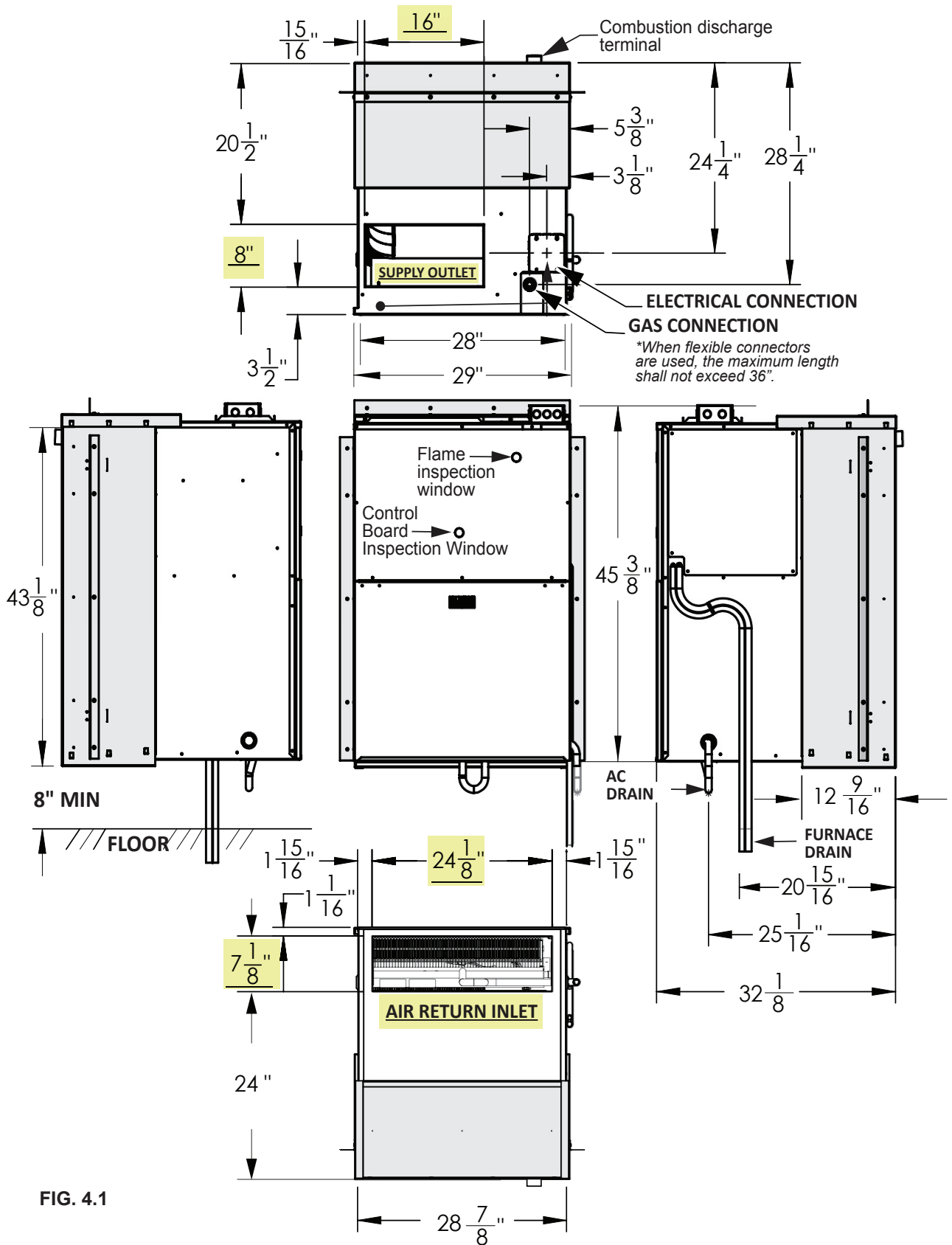
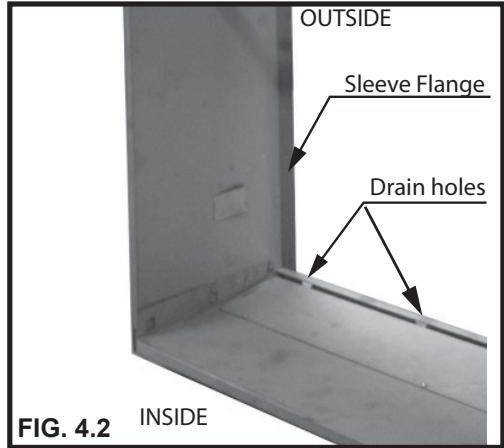


FIG. 4.1



## 4.2 UNIT LOCATION AND CLEARANCES

NOTE
<p>ALTHOUGH IT IS NOT POSSIBLE TO DETAIL ALL OF CONSTRUCTION PARAMETERS THAT COULD BE ENCOUNTERED, THE FOLLOWING GUIDELINES AND PRECAUTIONS ARE RECOMMENDED:</p> <ul style="list-style-type: none"> <li>• <b>MASONRY WALLS MUST HAVE A LINTEL TO SUPPORT THE WALL.</b></li> <li>• <b>DURING THE WALL SLEEVE ASSEMBLY PAY ATTENTION THAT THE SIDE PANEL FLANGES AND THE BASE PANEL DRAIN HOLES ARE ON THE SAME SIDE OF WALL SLEEVE, SEE FIG 4.2.</b></li> </ul>



To minimize the effect of interaction between multiple units in a building there are some general location considerations that need to be taken into account.

Installation of units in locations that do not follow these rules may lead to abnormal operation and premature failure. The use of these general rules may differ depending on each individual application. Please contact the manufacturer or your dealer for alternatives and application assistance.

**The general location considerations are:**

- Each wall with Condo Pack unit installed should be at least 2ft away (for every floor) from the opposite building wall facing the unit. If facing wall also has a Condo Pack unit installed, those two walls should be at least 4ft apart. See “*Minimum Distance to the Opposite Wall*” Table 1 below.
- A six story building with six Condo Pack units installed in a vertical array, should be at least 12ft away from the opposite building wall and at least 24ft away if the opposite building wall also contains Condo Pack units.
- Buildings taller than six stories will have the same distance parameters as six-story buildings.
- If three or more adjacent walls form an air shaft with Condo Pack units facing each other in each wall, the distance between opposite walls should be increased by 20%.

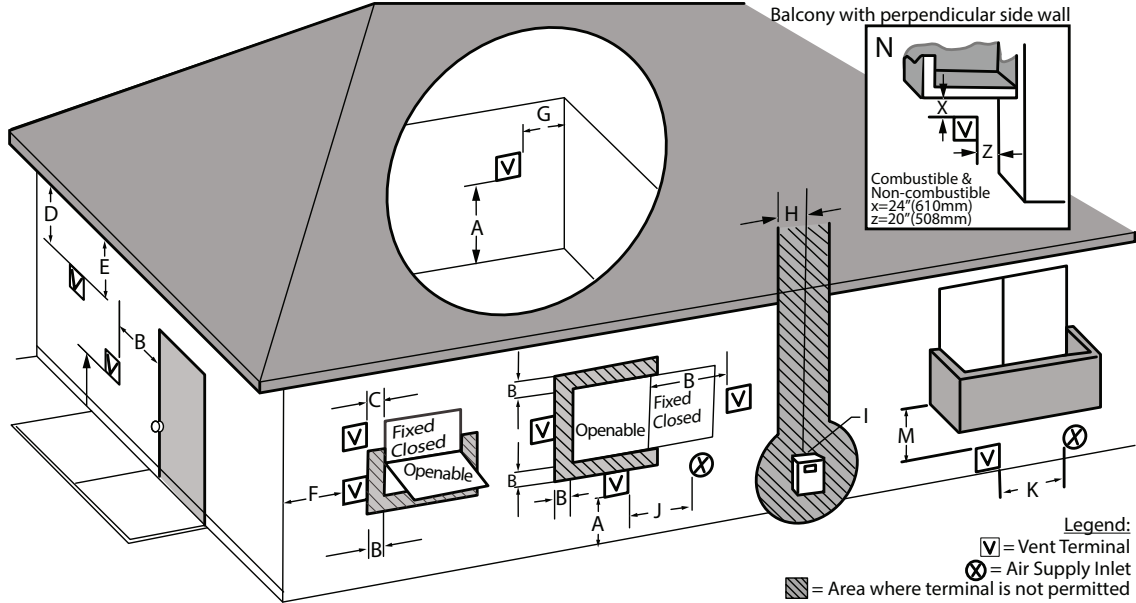
**TABLE 1**

NUMBER OF FLOORS WITH THE UNITS	MINIMUM DISTANCE TO THE OPPOSITE BUILDING WALL	
	WITHOUT an unit installed in the opposite building wall	WITH an unit installed in the opposite building wall
1	2 feet	4 feet
2	4 feet	8 feet
3	6 feet	12 feet
4	8 feet	16 feet
5	10 feet	20 feet
6 or more	12 feet	24 feet

- In order to be able to remove the unit, at least 32.5” (82.5 cm) of open area must be left unobstructed in front of the front doors.
- Do not install directly on carpeting, tile, or other combustible material other than wood flooring. The grille side of the unit must protrude minimum 1/2” but no more than 1” (maximum) from the face of the building and should not be obstructed by foreign objects. Refer to FIG. 4.2.2.B.
- If the unit is installed in an outside wall of a storage garage, it must be located or protected to avoid physical damage by vehicles. This unit must be installed so that no electrical components are exposed to water.



FIG. 4.2.1 - DIRECT VENT TERMINAL CLEARANCES



		Canadian installations <sup>1</sup>	US Installations <sup>2</sup>
<b>A</b>	Clearance above grade, veranda, porch, deck, balcony or anticipated snow accumulation	12 in (30 cm)	12 in (30 cm)
<b>B</b>	Clearance to window or door that may be opened	12 in (30 cm)	9 in (23 cm) for appliances > 10,000 BTUH (3 kW) and ≤ 50,000 BTUH (15 kW), 12 in (30 cm) for appliances > 50,000 BTUH ≤ 150,000 BTUH
<b>C</b>	Clearance to permanently closed window	*	*
<b>D</b>	Vertical clearance to ventilated soffit located above the terminal within a horizontal distance of 2 feet (61 cm) from the center line of the terminal	*	*
<b>E</b>	Clearance to unventilated soffit	*	*
<b>F</b>	Clearance to outside corner	*	*
<b>G</b>	Clearance to inside corner	*	*
<b>H</b>	Clearance to each side of center line extended above meter/regulator assembly	3 ft. (91 cm) within a height 15 ft. (4.5m) above the meter/regulator assembly	*
<b>I</b>	Clearance to service regulator vent outlet	3 ft. (91 cm)	*
<b>J</b>	Clearance to non mechanical air supply inlet to building or the combustion air inlet to any other appliance	12in (30 cm)	9 in (23 cm) for appliances > 10,000 BTUH (3 kW) and ≤ 50,000 BTUH (15 kW), 12 in (30 cm) for appliances > 50,000 BTUH ≤ 150,000 BTUH
<b>K</b>	Clearance to a mechanical air supply inlet	6 ft. (1.83 m)	3 ft. (91 cm) above if within 10 ft. (3 m) horizontally
<b>L</b>	Clearance above paved sidewalk or paved driveway located on public property	7 ft. (2.13 m)†	*
<b>M</b>	Clearance under veranda, porch deck, or balcony	>12 in (30 cm)‡	*
<b>N</b>	Balcony with perpendicular side wall	x=24", z=20" *	x=24", z=20" *

**Notes:**

1) In accordance with the current CSA B149.1, Natural Gas and Propane Installation Code.

2) In accordance with the current ANSI Z223.1/NFPA 54, National Fuel Gas Code.

\* For clearances not specified in ANSI Z223.1/NFPA 54 or CSA B149.1, one of the following shall be indicated:

a) A minimum clearance value determined by testing in accordance with Clause 5.25.5, or;

b) A reference to the following footnote:

"Clearance in accordance with local installation codes and the requirements of the gas supplier."

† A vent shall not terminate directly above a sidewalk or paved driveway that is located between two single family dwellings and serves both dwellings.

‡ Permitted only if veranda, porch, deck, or balcony is fully open on a minimum of two sides beneath the floor.

3) This table is based upon National codes for gas appliances, and are provided as a reference. Refer to Local codes which may supersede the standards and/or recommendations.

4) Avoid venting under a deck or large overhang. Recirculation could occur and cause performance or system problems. Ice build-up may occur.

## 4.2.1 Venting Guidelines

This appliance should be installed in a location such that the vent outlet is located in the following manner:

1. **In Canada:** As per latest version of the Natural Gas and Propane Installation Code (CAN/CSA-B149.1) and any applicable local codes.
2. **In USA:** As per the latest version of the National Fuel Gas Code (NFPA 54/ANSI Z223.1) and any applicable local codes.
3. Avoid locating the terminals where the flue gas could become stagnant and allow recirculation into the combustion air intake.
4. Avoid locating the terminal in locations where dripping condensate may cause problems such as sidewalks, patios, above planters, near windows where exhaust gases may cause fogging, icing, etc.
5. Avoid locating the termination too close to shrubs and other vegetation.
6. Do not terminate under a deck unless there is adequate clearance to prevent damage from the flue gases. A termination may be located at the end of a patio deck.
7. **When locating vent terminations, considerations must be given to prevailing winds, location and other conditions which may cause abnormal operation of the unit and recirculation of the combustion products of adjacent vents.**
8. **Check local codes for distance between vent terminal and a inside corner formed by two exterior walls. If not specified by local code, minimum distance between vent terminal and an inside corner formed by two exterior walls is 6 inches (0.15m)**
9. For dimensional vent termination clearances, refer to figure 4.2.1.

H14.7

### ⚠ CAUTION ⚠

IMPROPER LOCATION OR INSTALLATION CAN RESULT IN STRUCTURAL DAMAGE TO THE BUILDING, DAMAGE TO THE EXTERIOR FINISH OF THE BUILDING, OR MAY ALLOW RECIRCULATION OR FREEZING OF THE FLUE GASES ONTO OR INTO THE COMBUSTION AIR INTAKE. MOISTURE IN THE FLUE GASES CONDENSES AS IT LEAVES THE TERMINALS. THIS MOISTURE CAN FREEZE ON EXTERIOR WALLS, SOFFITS, AND OTHER NEARBY OBJECTS. SOME DISCOLORATION IS TO BE EXPECTED.

Recommended vertical clearance of a vent terminal and overhanging structure should be maximized to prevent condensate products from depositing and freezing on overhang. This practice helps prevent degradation of building materials.

Recommended practice (where practicable) is to maintain the same vertical clearance between the vent and the overhang as the horizontal distance the overhang protrudes from the building.

Unless governing bodies having local jurisdiction specify a minimum clearance larger, the minimum clearance between the top of the vent terminal and a overhanging structure shall be greater than 12 inches (0.3 m).

Any adjacent painted surfaces should be in good condition; no cracks, peeling paint, etc. If wooden surfaces that may be periodically exposed to flue gases are present, consider treating with a sealer.

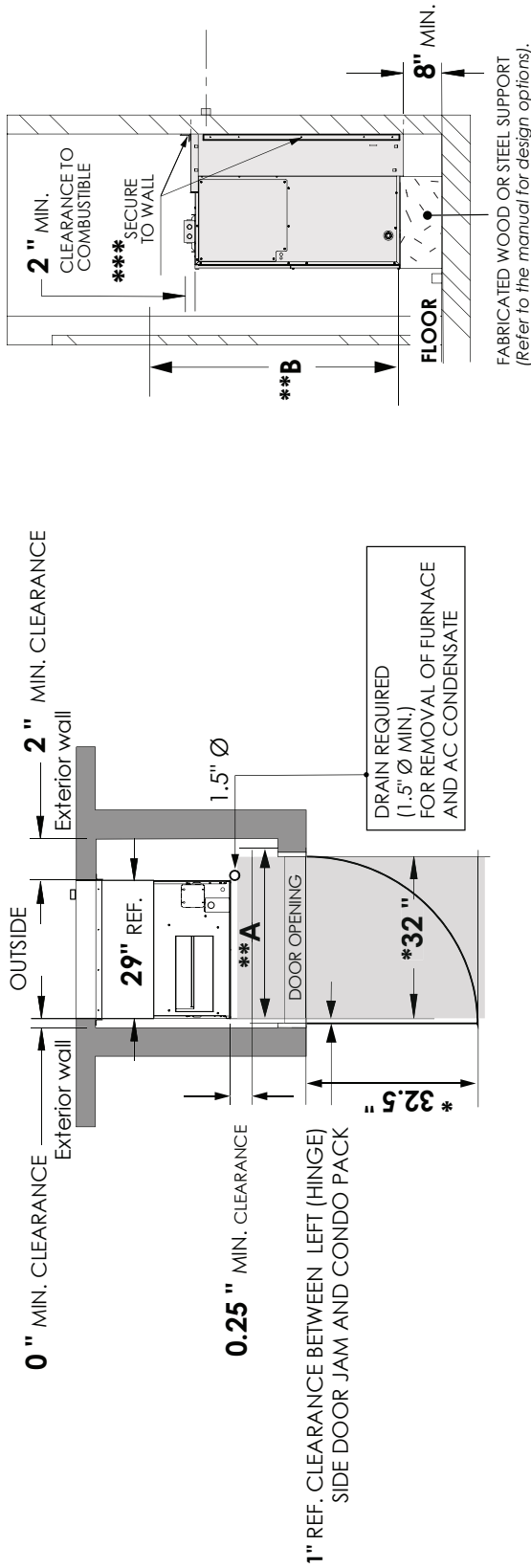
H15.5.2

### 4.2.2 Minimum Clearances

The minimum clearances required for installation and accessibility are shown below. These clearances should be followed unless otherwise approved by the manufacturer.

#### MINIMUM CLEARANCE

REQUIRED DUE TO UNIT'S DIMENSION & SAFETY STANDARD



#### NOTE

#### ADEQUATE SERVICE CLEARANCE MUST BE PROVIDED IN FRONT OF THE UNIT.

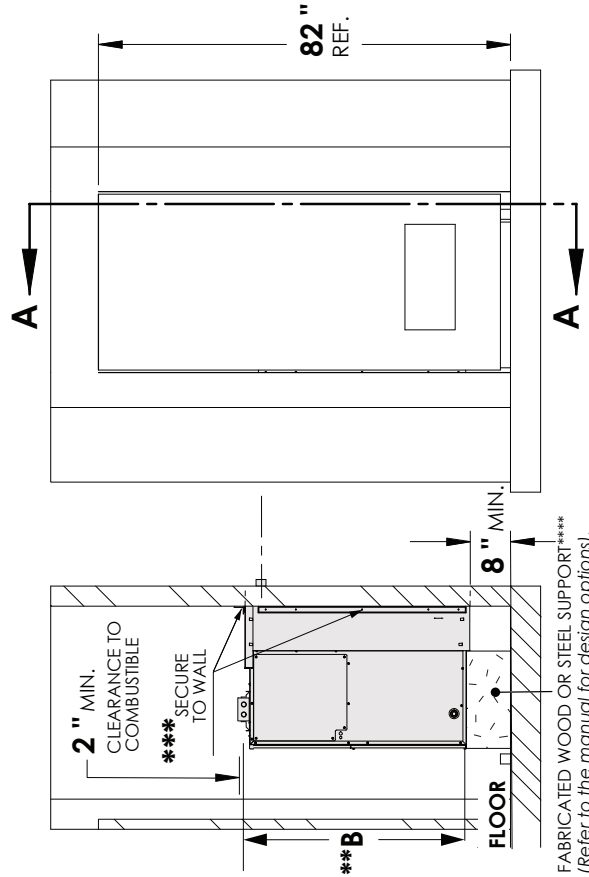
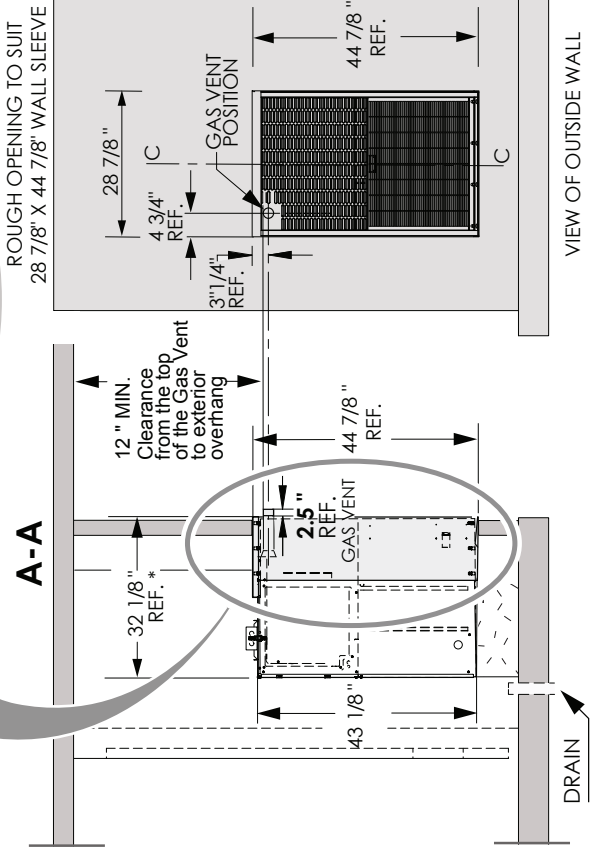
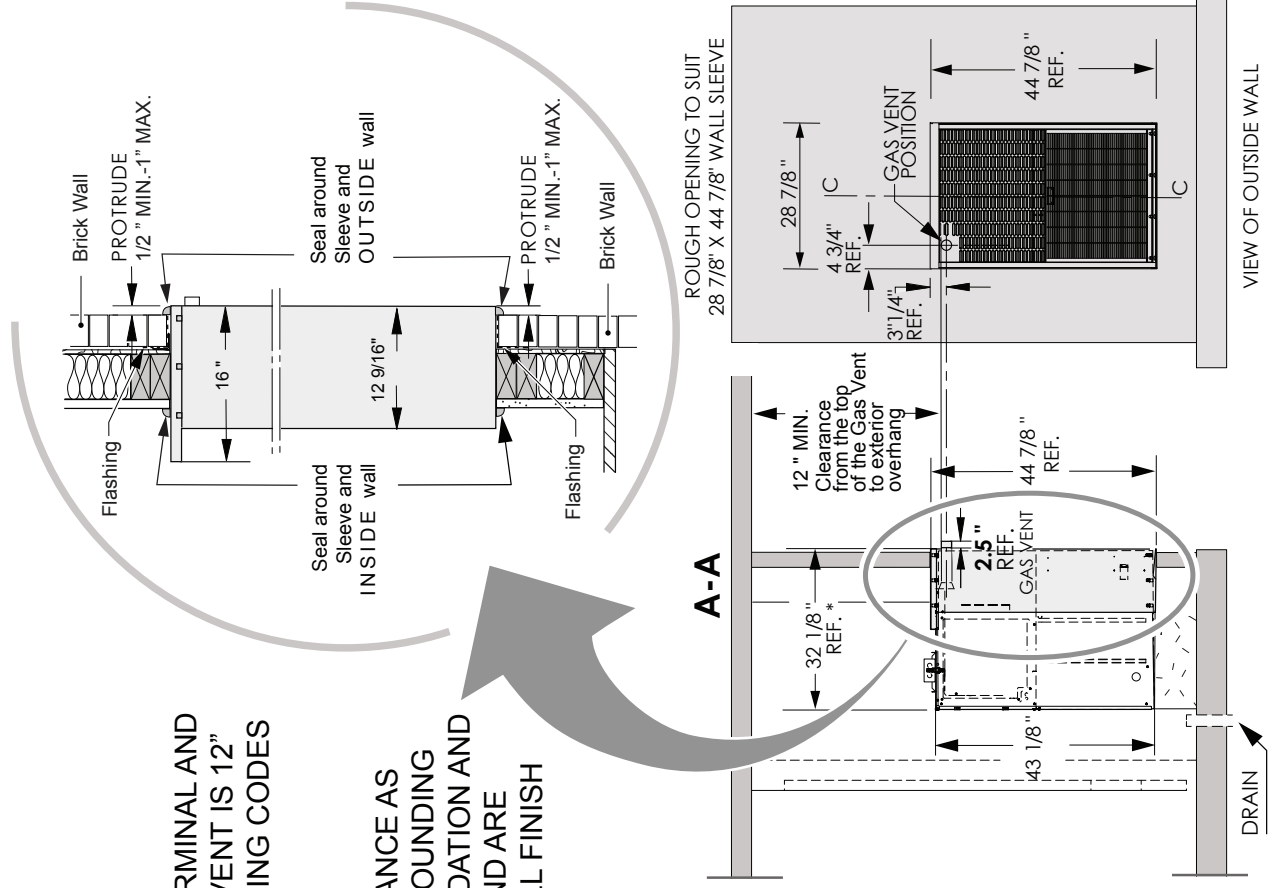
- \*\*\* Engineer/Architect - to consult with customer solutions if clarification is required to determine bracket location for setting the desired depth of Wall Sleeve into wall.
- \*\* A clear and unobstructed passageway (dimension AxB) shall be provided to the unit, in accordance with the requirements of the local authorities having jurisdiction and with the National Fuel Gas Code, ANSI Z223.1 (latest edition) and the National Electrical Code in the United States or CAN/CGA-B149.1 & .2 and the Canadian Electrical Code CSA C22.1 Part 1 (latest edition) in Canada.
- \* The 32 " x 32.5 " unobstructed clearance is required in front of the unit for complete removal of heating and cooling module. Check local building codes for other applicable requirements.

**IMPORTANT:** Prior to constructing interior closet walls in close proximity to the wall sleeve, the sealing of the wall sleeve and cabinet should be completed. Sealing after the walls are constructed can be difficult. Poor sealing will result in cold air infiltration that will affect Condo Pack. Refer to section "Sealing: Wall Sleeve and Condo Pack cabinet".

**IMPORTANT:**  
 MINIMUM REQUIRED VERTICAL CLEARANCE OF A VENT TERMINAL AND OVERHANGING STRUCTURE FROM THE TOP OF THE GAS VENT IS 12" (MORE THAN 12" IS RECOMMENDED). CHECK LOCAL BUILDING CODES FOR OTHER REQUIREMENTS.

**NOTE:**  
 IT IS ALWAYS A GOOD PRACTICE TO MAXIMIZE THE CLEARANCE AS MUCH AS POSSIBLE BETWEEN VENT TERMINAL AND SURROUNDING STRUCTURES TO AVOID ANY POTENTIAL DAMAGE, DEGRADATION AND ICING, SINCE THE FLUE GASES CONTAIN WATER VAPOR AND ARE TYPICALLY MILDLY ACIDIC. CONSULT WITH EXTERIOR WALL FINISH MANUFACTURER FOR MORE INFORMATION.

**NOTE** \*\*\*\* REFER TO FIGURE 4.2.2.A, PAGE 14. \*\*\*



FABRICATED WOOD OR STEEL SUPPORT\*\*\*\*  
 (Refer to the manual for design options).

FIG. 4.2.2.B

<b>⚠ WARNING ⚠</b>	
<b>THIS UNIT IS CERTIFIED FOR INSTALLATION ON COMBUSTIBLE FLOORS. THIS SHALL BE INTERPRETED AS A WOOD FLOOR ONLY.</b>	
<b>THE UNIT MUST NOT BE INSTALLED DIRECTLY ON CARPETING, OR OTHER COMBUSTIBLE MATERIAL EXCEPT WOOD.</b>	
<b>INSTALLATION ON COMBUSTIBLE MATERIAL OTHER THAN WOOD CAN RESULT IN FIRE, CAUSING PROPERTY DAMAGE, PERSONAL INJURY OR DEATH.</b>	
<b>THE AREA AROUND THE UNIT MUST BE KEPT CLEAR AND FREE OF ALL COMBUSTIBLE MATERIALS INCLUDING GASOLINE AND OTHER FLAMMABLE VAPORS AND LIQUIDS.</b>	
<b>THE HOMEOWNER SHOULD BE CAUTIONED THAT THE CONDO PACK AREA MUST NOT BE USED AS A CLOSET OR FOR ANY OTHER STORAGE PURPOSE.</b>	

This design is certified for thru-the-wall installation only. The interior portions of the unit may be surrounded by a closet with clearances to combustible material as listed on the nameplate.

**Minimum clearances to combustibles derived from factory testing are shown below and also on the nameplate of the unit:**

**TABLE 2**

<b>MINIMUM CLEARANCES TO COMBUSTIBLE MATERIALS</b>	
<b>TOP</b>	<b>2" (50.8 mm)</b>
<b>PLENUM</b>	<b>1" (25 mm)</b>
<b>FRONT</b>	<b>0**</b>
<b>BACK</b>	<b>0</b>
<b>RIGHT SIDE</b>	<b>0*</b>
<b>LEFT SIDE</b>	<b>0</b>
<b>BOTTOM</b>	<b>0***</b>
<b>FLUE PIPE</b>	<b>0</b>

\* Recommended 2" (50.8 mm) clearance for servicing.

\*\* 10" (254 mm) recommended clearance for servicing. For removal of the unit or modules, refer to unobstructed clearances listed in section "**Minimum Clearances**".

\*\*\* Certified for closet installation on combustible flooring. This shall be interpreted as a wood floor only.

H9.1

### 4.3 PACKAGED UNIT PREPARATION

#### NOTE

- THIS UNIT MUST BE INSTALLED IN ACCORDANCE WITH ALL APPLICABLE CODES.
- THIS UNIT IS APPROVED FOR THRU-THE-WALL INSTALLATION ONLY.
- THESE INSTALLATION AND MAINTENANCE INSTRUCTIONS SHOULD BE LEFT WITH THE UNIT FOR FUTURE REFERENCE.

#### Prior to installing the unit in the wall opening:

1. Remove the brackets connecting the unit to the skid.
2. If desired, remove the cooling module for a light cabinet installation.

#### ⚠ IMPORTANT ⚠

1. The unit must be installed a minimum of 8" above finished floor.
  - a. If unit is installed in a storage garage, all ignition sources (electric contactors and motors included) must be positioned at a minimum of 18" (457 mm) above the floor, and it must be protected from physical damage by vehicles, consistent with CAN/CSA-B149.
2. The entire unit must not be installed outside. This unit is designed for indoor installation on to an exterior wall having an opening for condenser airflow.
3. **The grille side of the unit must extend 1/2" Min. - 1" Max. beyond the exterior wall to allow moisture that may enter the outdoor section to drain.**
4. DO NOT install this unit at an exterior wall location that will position the bottom of the wall grille below the exterior grade level. Below grade installation will allow the accumulation of rain or snow into the wall sleeve and unit base, and could result in water penetration into the building interior.
5. The grille side must be:
  - a. Kept free of any obstructions that could reduce or alter the air flow pattern. The unit must be installed at least 3' (0.92m) from electric meters, gas meters, regulators, and relief equipment in Canada, in accordance with CAN/CSA-B149 or 4' (1.22 m) in U.S. in accordance to NFPA 54, ANSI Z223 installation codes.
  - b. The vent of the unit is located at the outside grille. Distances from adjacent public walkways, adjacent buildings, windows, and building openings must be consistent with the National Fuel Gas Code ANSI Z223.1 and/or CAN/CSA-B149 installation codes, as well as local codes.
6. Masonry walls must have a lintel to support the wall, as per National and local building codes.
7. The interior of the unit may be installed with clearances noted on the nameplate to adjacent combustible surfaces.
8. The unit shall not be installed directly on carpeting, tile or other combustible material, except wood flooring.
9. In order to be able to remove the unit, at least 32.5" (82.5 cm) of open area must be left unobstructed in front of the front doors.
10. **Caulk and seal all spaces around the top, sides and bottom of the exterior grille area, making sure that THE OPENINGS FOR DRAINAGE IN THE BOTTOM EDGE ARE NOT BLOCKED. Refer to "Unit Location and Clearances".**

### 4.4 WALL SLEEVE ASSEMBLY AND INSTALLATION

## ⚠ WARNING ⚠

**THESE INSTRUCTIONS ARE INTENDED AS AN AID TO QUALIFIED SERVICE PERSONNEL FOR PROPER INSTALLATION, ADJUSTMENT AND OPERATION OF THE UNIT. READ THESE INSTRUCTIONS THOROUGHLY BEFORE ATTEMPTING INSTALLATION OR OPERATION. IMPROPER INSTALLATION, ADJUSTMENT, SERVICE, OR MAINTENANCE CAN CAUSE PROPERTY DAMAGE, PERSONAL INJURY, OR DEATH. CONSULT A QUALIFIED INSTALLER OR SERVICE AGENCY FOR INFORMATION AND ASSISTANCE.**

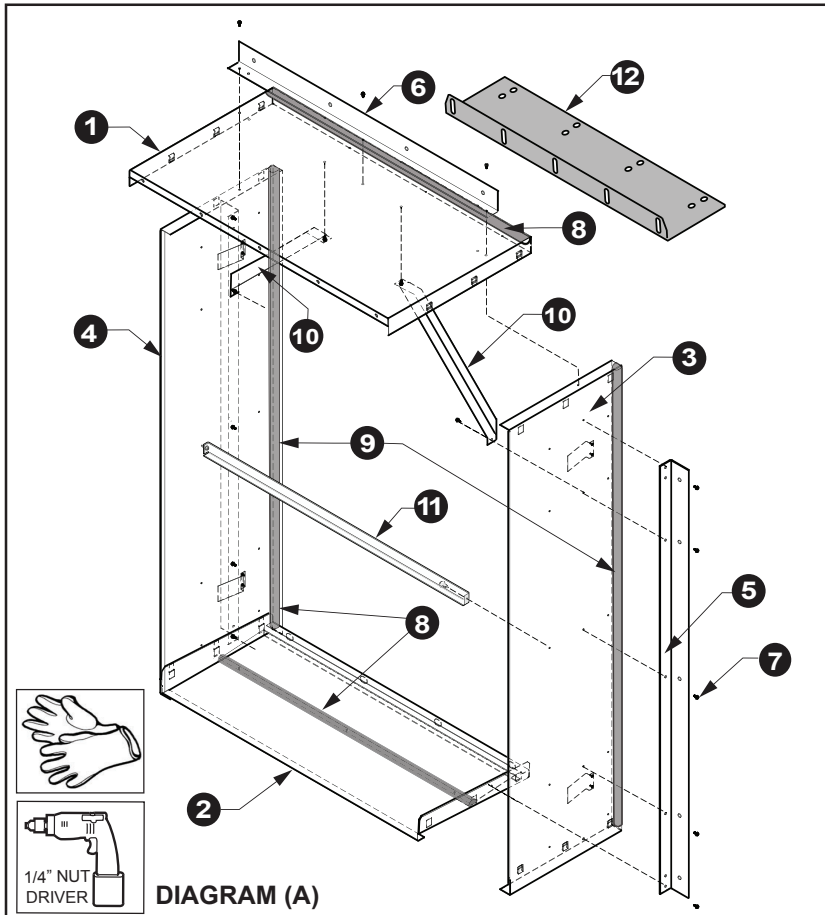
INCLUDED IN THE CWSMUA KIT:

**TABLE 3**

ITEM	QTY	PART NAME	MANUFACTURING DESCRIPTION	PART NO	
				CWSMUA	CWSMUA19
1	1	TOP PANEL	PANEL, SLEEVE TOP PWDER	W475-0978-(color code)	W475-1317-(color code)
2	1	BASE PANEL	PANEL, SLEEVE BASE PWDER	W475-0975-(color code)	W475-1314-(color code)
3	1	RIGHT SIDE PANEL	PANEL, SLEEVE RS PWDER	W475-0977-(color code)	W475-1316-(color code)
4	1	LEFT SIDE PANEL	PANEL, SLEEVE LS PWDER	W475-0976-(color code)	W475-1315-(color code)
5	2	SIDE SUPPORT BRACKET	BRACKET, SIDE SUPPORT	W080-1444	
6	1	TOP SUPPORT BRACKET	BRACKET, TOP SUPPORT	W080-1445	
7	25	SCREW #8-32X.315 STEEL TRILOBULAR	SCREW, #8-32 x .315 QUAD HEX WASHER	W570-0162	
10	2	SQUARING BRACE	BRACE, SQUARING	W080-1433	
11	1	SQUARING BRACE MIDDLE	BRACE, SQUARING	W075-0019	
12*	1	*TOP PANEL BRACKET	*BRACKET, TOP PANEL (CP)	N/A	*W080-1721

SHOWN BUT NOT INCLUDED IN THE CWSMUA KIT:

ITEM	QTY	PART NAME	MANUFACTURING DESCRIPTION	PART NO
8	12.5 feet	Gasket D-Channel 28.9" long	GASKET, D-CHANNEL EPDM (included in baggies provided with Condo Pack unit)	W290-0256
9		Gasket D-Channel 44" long		



## ⚠ IMPORTANT ⚠

**\*DO NOT DISCARD ITEM #12 (TOP PANEL BRACKET, W080-1721). THIS BRACKET IS USED TO SECURE THE CONDO PACK CABINET TO THE WALL WHEN CWSMUA19 WALL SLEEVE IS USED.**

The wall sleeve is designed to be installed into the wall during the construction of the building, in order to provide an accurate opening and easier installation of thru-the-wall packaged unit later on, after building is completed.

**LEGEND**

- 1. Top Panel
- 2. Base Panel
- 3. Right Side Panel
- 4. Left Side Panel
- 5. Side Support Bracket
- 6. Top Support Bracket
- 7. Screw #8-32x.315 Steel Trilobular
- 8. Gasket D-Channel 28.9" long
- 9. Gasket D-Channel 44" long
- 10. Squaring Brace
- 11. Squaring Brace Middle
- 12. \*Top Panel Bracket



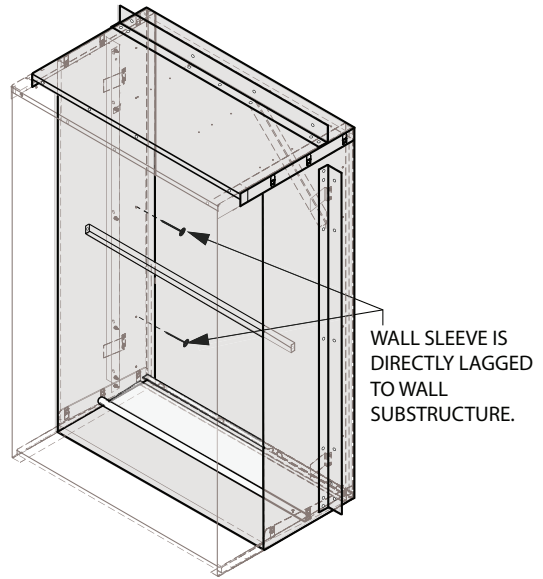
**Wall Sleeve Dimensions**

**DIAGRAM (B)**

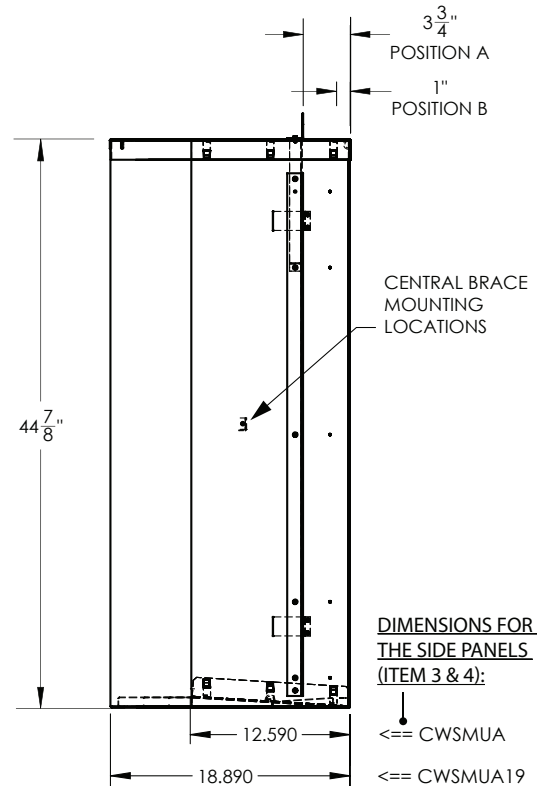
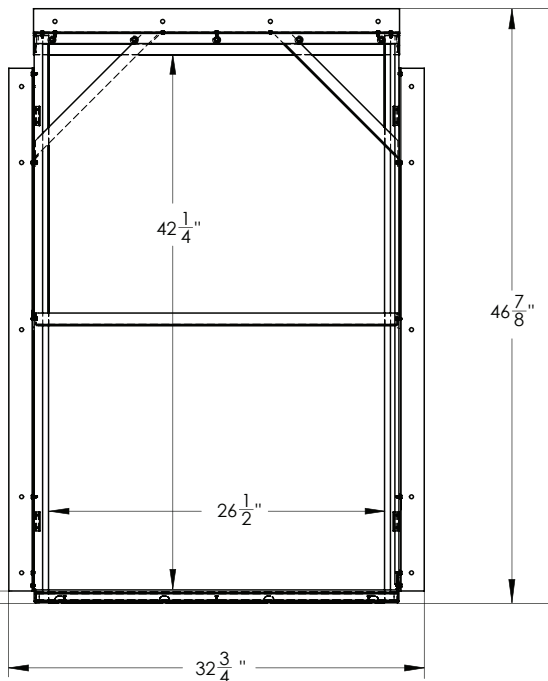
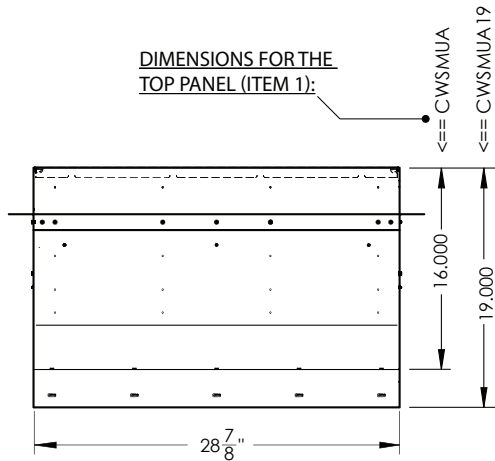
**TWO DIFFERENT WALL SLEEVE MODELS ARE DEPICTED BELOW:**

- CWSMUA
- CWSMUA19

**NOTE:**  
 TO IMPROVE RIGIDITY AND REDUCTION IN VIBRATION WALL MOUNTING BRACKETS CAN BE USED TO AFFIX WALL SLEEVE TO BUILDING SUB STRUCTURE FROM INSIDE OR OUTSIDE OF THE BUILDING. ENGINEER/ARCHITECT TO CONSULT WITH CUSTOMER SOLUTIONS IF CLARIFICATION IS REQUIRED TO DETERMINE BRACKET LOCATION FOR SETTING THE DESIRED DEPTH OF WALL SLEEVE INTO WALL.

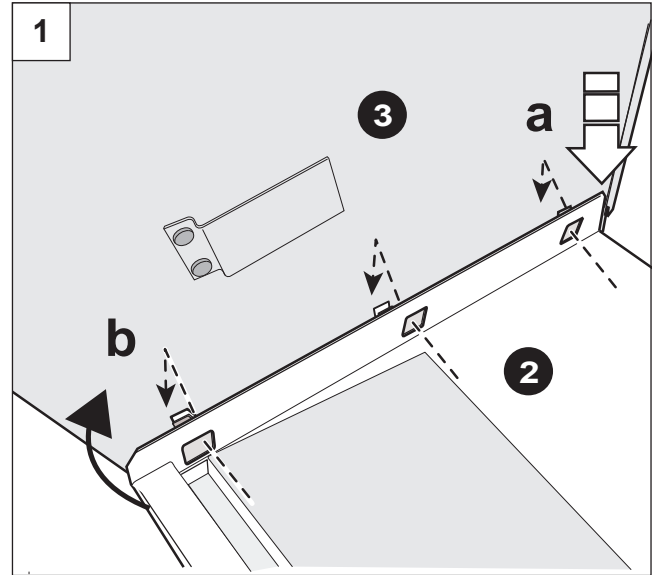


**DIMENSIONS FOR THE TOP PANEL (ITEM 1):**

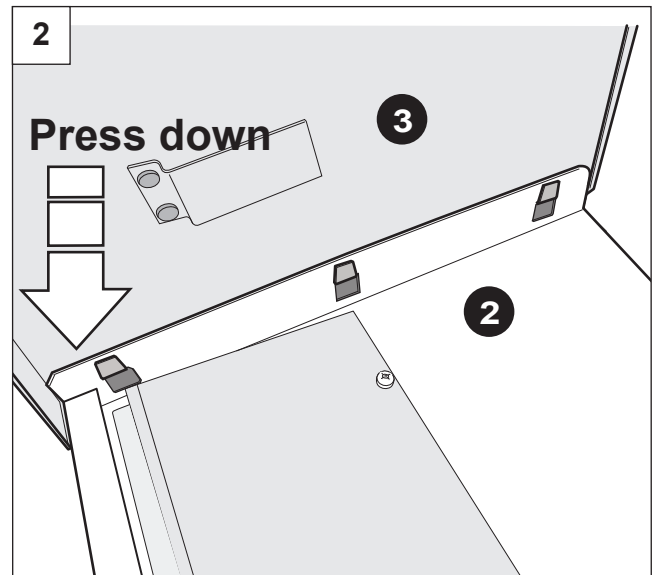


### 4.4.1 Wall Sleeve Assembly

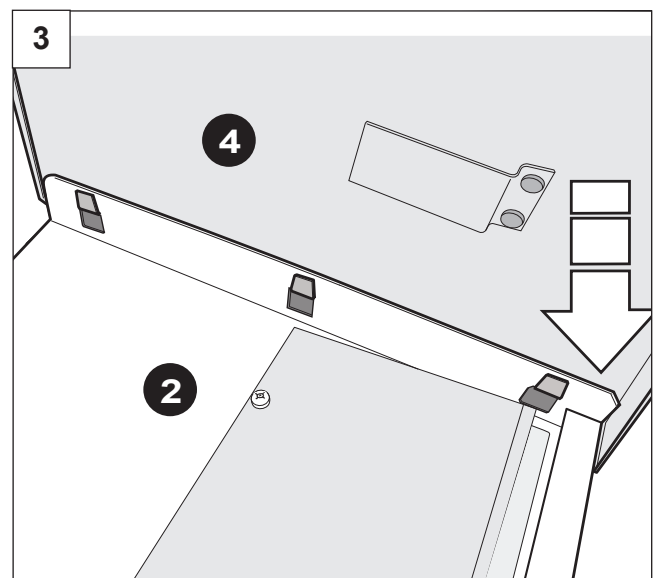
1. Place Base part (2) on the floor and attach Right Side Panel (3):
  - a. Position Base Panel (2) to seat behind flanges on the Side Panel (3).
  - b. Bring together panel clips and the openings (FIG. 1).



2. Press down firmly to lock base panel (2) into place (FIG. 2).

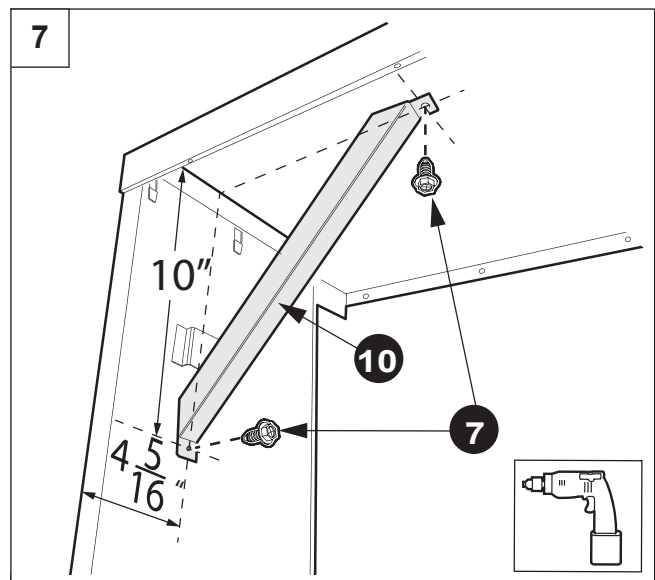
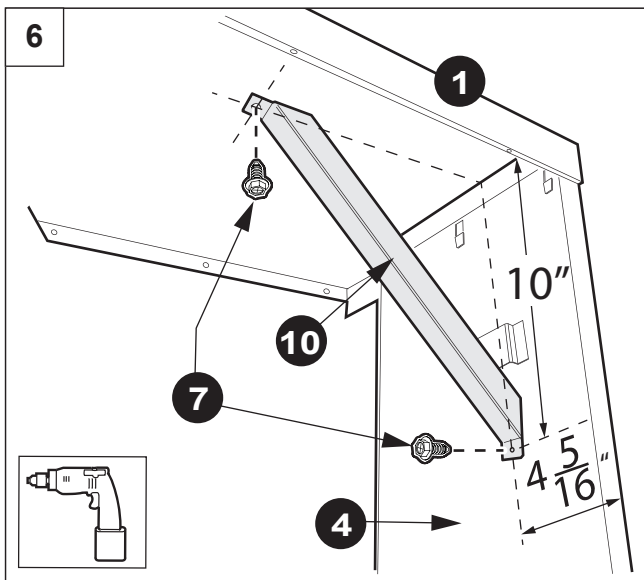
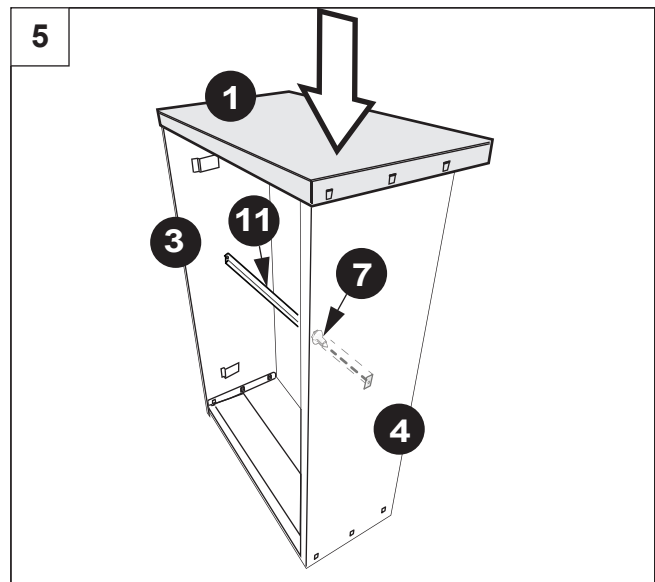
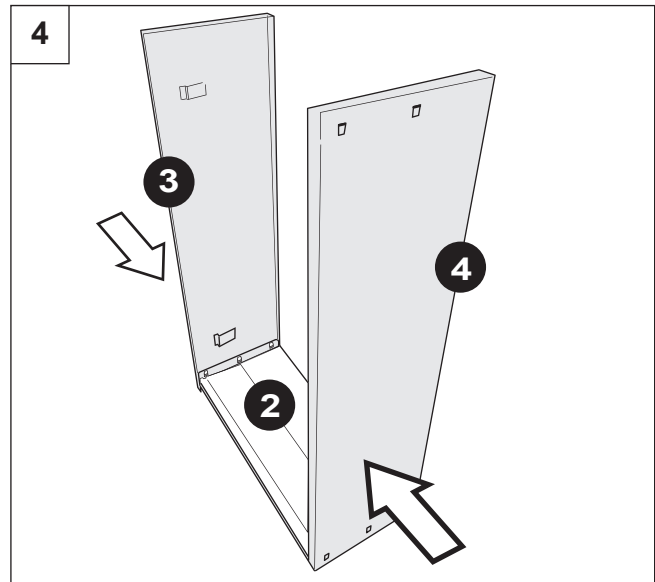


3. Attach Left Side Panel (4) to Base Panel (2) (FIG. 3). Repeat procedure from step 2.



4. Check for parallel position of Left and Right Side Panels (3) and (4). Secure connection with Base Panel (2), see (FIG. 4).
  
  5. Attach Top Panel (1) to Left and Right Side Panels (3) and (4). Align connection openings and secure the assembly by pushing the clips in place (FIG. 5).
  
  6. Attach Squaring Braces (10) to the inner sides of both, Top Panel and the Side Panels, by inserting the screws (7) from inside.
- To attach the Squaring Brace (10) to the Side Panels (3) and (4) use the 1/8" holes located 10" down from the top and 4 - 5/16" from the outside flange (FIG. 6. and FIG. 7).
7. Using two mounting screws (7), install Middle Squaring Brace (11) across the wall sleeve, as shown in the FIG. 5.

**NOTE: Do not remove Squaring Braces (10) and (11) from the wall sleeve if you do not plan to install the Condo Pack unit immediately.**

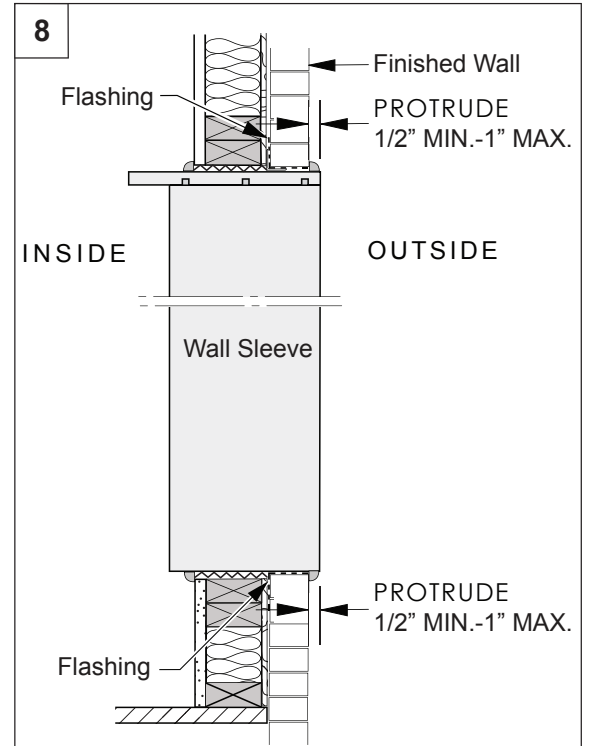


## 4.4.2 Wall Sleeve Installation

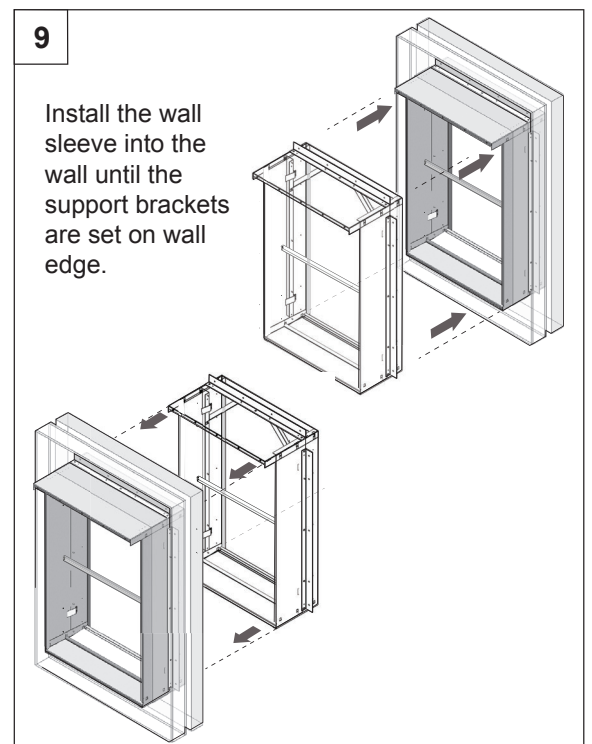
### ⚠ WARNING ⚠

INSTALLATION CREW MUST ADHERE TO ALL LOCAL/NATIONAL SAFE WORK PRACTICES INCLUDING EMPLOYING APPROPRIATE FALL ARREST EQUIPMENT

8. When installed, the Wall Sleeve **must** protrude **1/2" MIN. to 1" MAX.** beyond the exterior finished wall to allow proper water evacuation through the drain holes in the bottom panel. See FIG. 8.

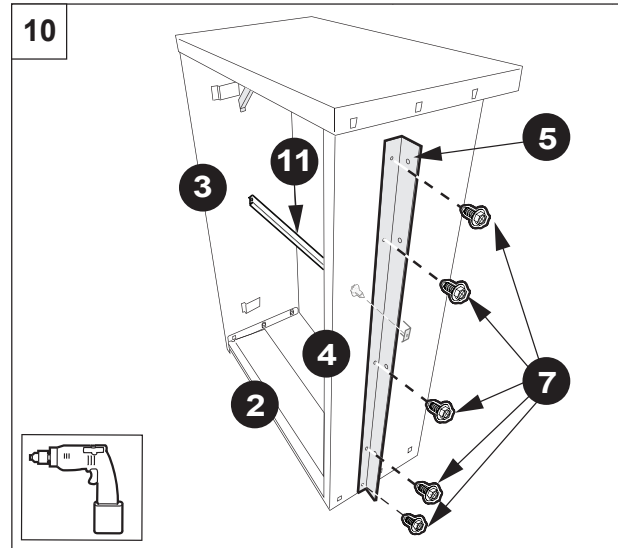


9. Wall sleeve can be installed from inside or outside the building (FIG. 9). The side and top brackets' position need to be adjusted to suit the method and building material.



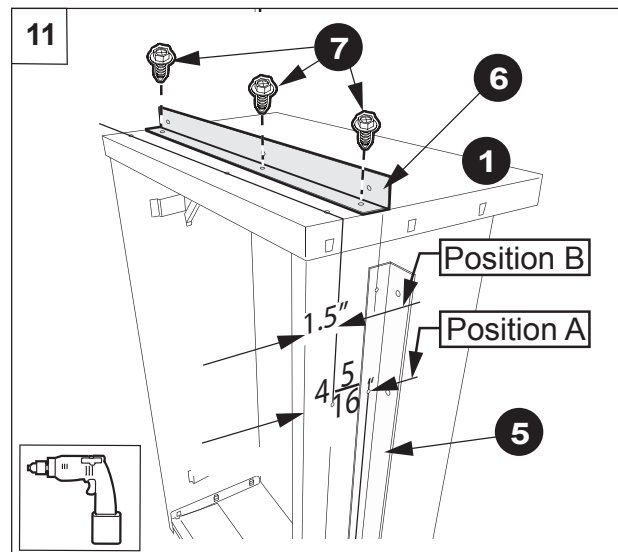
**NOTE:** The following support bracket locations are for installations where the wall sleeve is installed from the **OUTSIDE** of the building. For installations where the wall sleeve is installed from the **INSIDE** of the building, the Side Support Brackets (5) need to be mounted on **INTERIOR** wall, so they will need to be relocated on the wall sleeve (new screw positions may need to be created depending of the type of wall construction).

**10.** Attach the Side Support Brackets (5) to the Side Panels (3) & (4) and to Base Panel with five screws (7) through the shorter flange (FIG. 10).

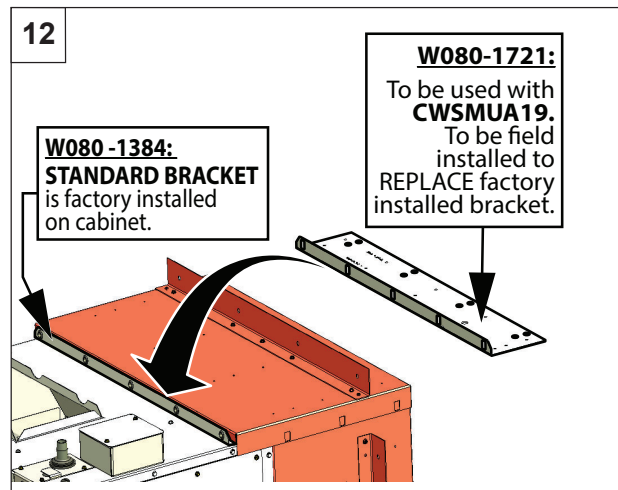


**11.** Select the set of mounting holes based on type of construction wall face application (brick, stucco, siding, etc.):

- a. For Side Support Brackets (5), use pre-drilled mounting Position A or Position B shown in FIG. 11, depending on the type of wall construction.
- b. Attach Top Support Bracket (6) to the Top Panel (1) using minimum three screws (7) provided, (FIG. 11). For this bracket (6), use mounting Position A or Position B shown in FIG. 11.



**NOTE:** When using wall sleeve size CWSMUA19 (not standard CWSMUA size), make sure to replace the standard Top Panel bracket (W080-1384) with the **specialty designed** top panel bracket (W080-1721) in order to properly secure the cabinet to the wall sleeve (FIG. 12).



**12. To install Wall Sleeve into the wall opening:**

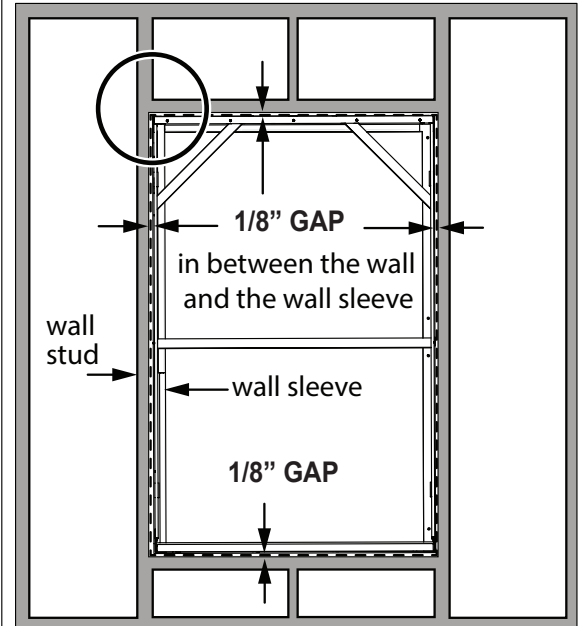
With drain holes facing outside, position the sleeve towards the wall until the support brackets are set on wall edge.

- a. Leave 1/8" space in between the wall and the wall sleeve for insulating with Low Expanding Insulation Foam (FIG 13). Ensure parallel position between Wall Sleeve and wall opening. Wall Sleeve must be square for the Condo Pack to slide into it.
- b. Using appropriate fasteners depending on building material:
  - Secure the support brackets to the wall using five screw holes on each side.
  - Secure side panels into the structural wall using fasteners.

**⚠ IMPORTANT ⚠**

**SLEEVE MUST BE FASTENED TO THE STRUCTURAL WALL AND NOT TO THE FINISHED WALL. MASONRY WALLS MUST HAVE A LINTEL TO SUPPORT THE WALL, AS PER NATIONAL AND LOCAL BUILDING CODES.**

**13 Leave 1/8" space in between the wall and the wall sleeve for insulating with Low Expanding Insulation Foam. If required, with use of shims, make sure the sleeve is level and flush.**

**4.4.3 Sealing: Wall Sleeve and Construction Wall**

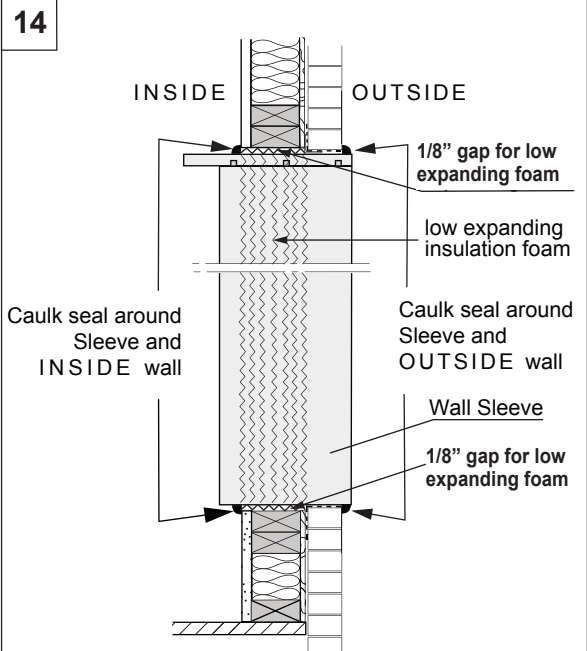
**13.** After wall construction has been completed make sure to completely fill the space between the wall sleeve and the wall with Low Expanding Insulation Foam (FIG. 13 and FIG 14).

Wait 8 hours minimum for foam to cure.

- a. Caulk and seal all seams and openings between the wall sleeve and the finished exterior and interior walls (FIG 14). Seal the spaces using non-hardening caulking compound. All seals must be weather tight to prevent entrance of air, moisture and water into the building.
- b. The wall opening across the top and bottom of the Wall Sleeve could be flashed if required (FIG 8).
- c. All unused holes need to be sealed.
- d. Prepare the Condo Pack unit for installation. For unit support guides refer to "Unit Support" section.

**⚠ IMPORTANT ⚠**

**CARE MUST BE TAKEN NOT TO PLUG THE DRAIN OPENINGS IN THE BASE PANEL.**



### 4.5 UNIT SUPPORT

The wall sleeve is not intended as the sole support for the unit. Therefore, additional support must be provided by a rigid structure that bears the weight of the unit and provides an interface for "return air" ducting that must exit the room.

**Support Structure Construction OPTIONS:**

**OPTION 1** (As per figure 15, 16):

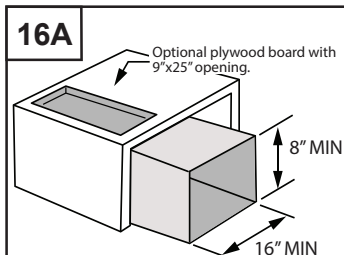
- First, the supporting platform must be built, see (FIG. 15). It can be constructed of plywood and framing lumber. FIG. 16 is showing alignment of the platform top with the base panel of the wall sleeve.
- **Minimum height of platform = 8"**
- **Recommended platform width = 29"**
- **\*\*Recommended platform depth = to allow installation of return air duct with minimum inside cross section of 8" x 16". Refer to FIG. 15 and 16.**

In certain jurisdictions, combustible material is not allowed to be exposed to return air. For those municipalities, a support structure can be constructed using either **OPTION 2** or **OPTION 3** concepts as per the material availability.

**OPTION 2:**

**Step 1:** Construct a three sided box or a two sided frame to sufficiently support Condo Pack weight (Fig 16A).

An optional rectangular plywood with 9"x25" opening can be mounted on this structure for additional support.

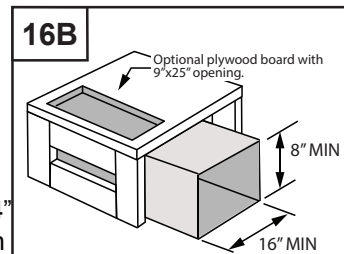


**Step 2:** install a metal return ducting with 7" x 24" connection to the unit with minimum 8" height.

**OPTION 3:**

**Step 1:** Construct a three sided or two sided wooden frame to sufficiently support Condo Pack weight (Fig 16B).

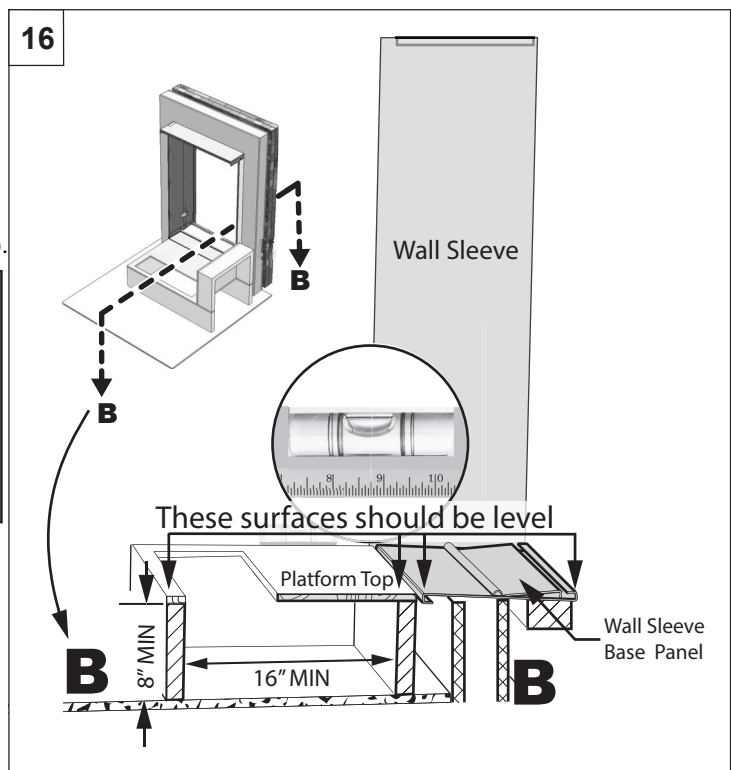
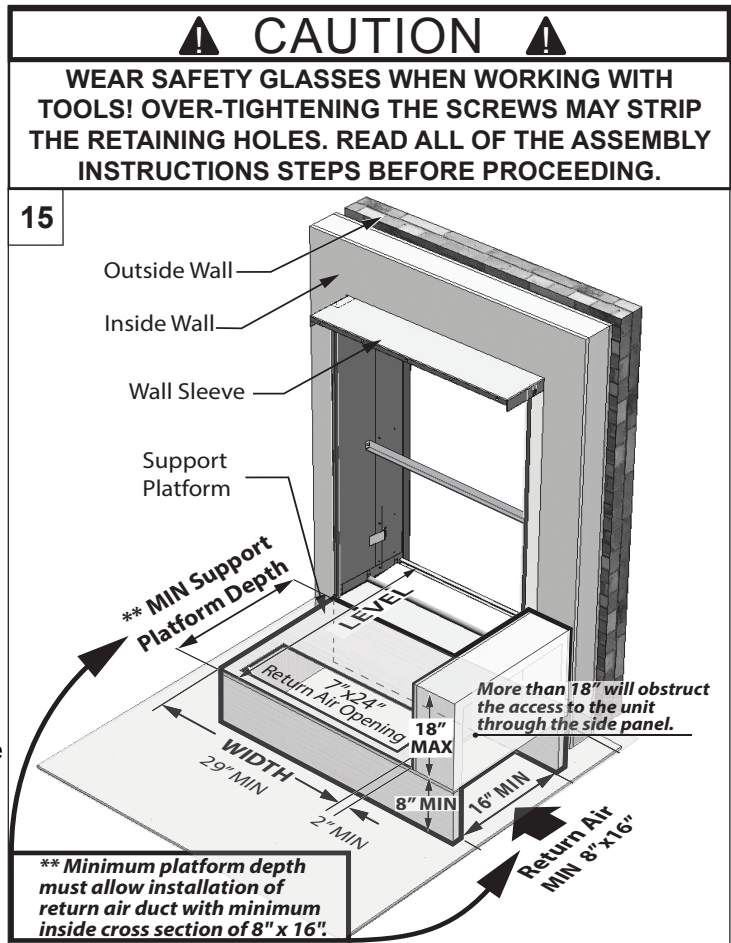
An optional rectangular plywood with 9"x25" opening can be mounted on this structure for an additional support.



**Step 2:** install a metal return ducting with 7" x 24" connection to the unit with minimum 8" height.

**Before building support structure, consider the following:**

- Carefully measure the unit and choose a strong building material for the support structure.
- The unit should be additionally supported for leveling purposes.

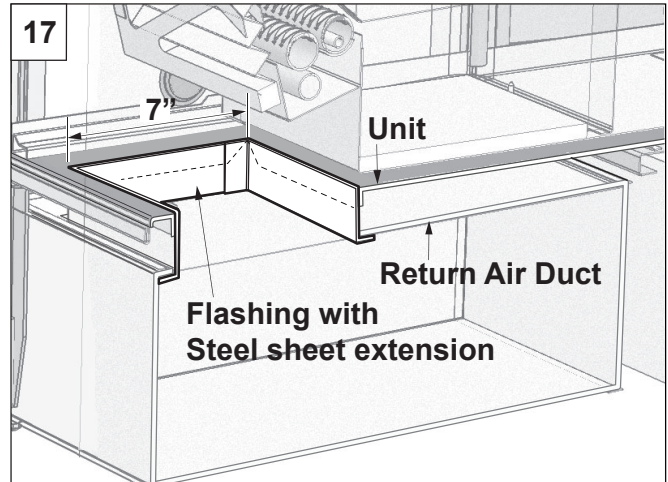




- c. An additional vibration isolation material (must be non-combustible) may be used if required.
- d. Ensure that the platform connection to Condo Pack Return Air Opening is at least 7" X 24". It must be aligned with return air opening on the base of the installed Condo Pack appliance.
- e. The support structure and the Wall Sleeve have to provide secure and leveled position for the unit and a method of bringing return air via ducting to the space under the appliance.
- f. Flashing the unit to return air duct (below the support structure) is to be done later by field installation of Steel Sheet Extensions (custom cut to length). See (FIG. 17).

**⚠ IMPORTANT ⚠**

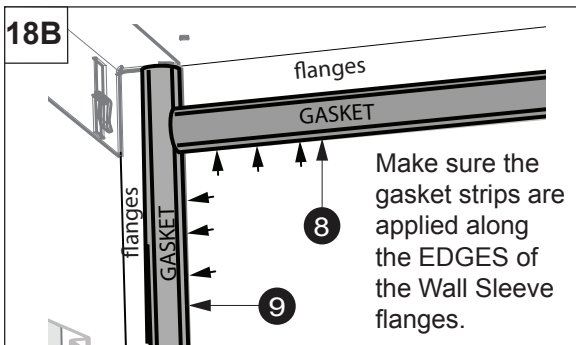
**FLASHING MUST SEAL SPACE BETWEEN THE RETURN AIR INLET OF CABINET BASE AND THE RETURN AIR PLENUM TO AVOID DRAWING RETURN AIR FROM THE CLOSET SPACE CONTAINING THE APPLIANCE. REFER TO SECTION 4.8.**



**4.6 GASKETING ON WALL SLEEVE**

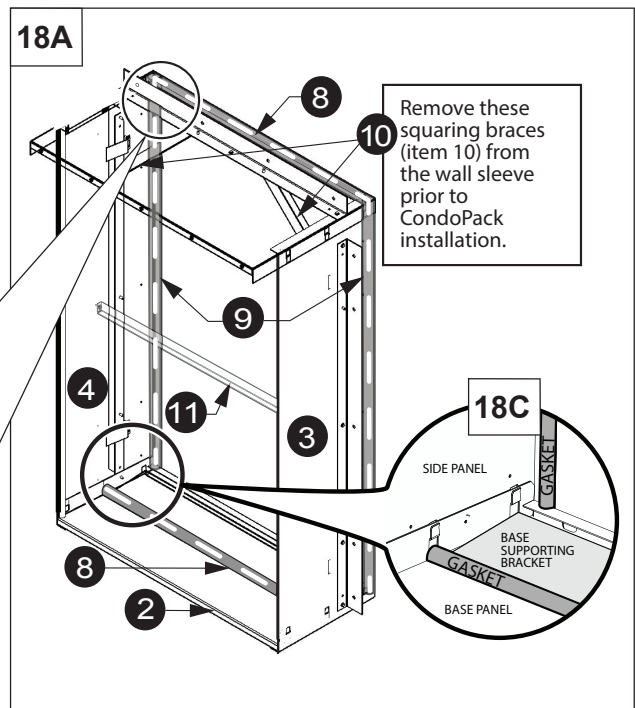
Prior to installing Condo Pack into the wall sleeve:

- a. Remove squaring braces (10) and (11) from wall sleeve.



- b. Apply self-adhesive D-Channel gasket strips (8) & (9) to inside surface of sleeve front flanges as shown in FIG. 18B and on to the base panel (2), as shown in FIG. 18C.

**Make sure the gasket strips are applied along the EDGES of the wall sleeve flanges (FIG. 18B).**



**⚠ IMPORTANT ⚠**

**MAKE SURE ALL THE SURFACES (WHERE THE GASKET IS TO BE APPLIED) ARE CLEAN, DRY AND WARM (PROMOTES BETTER ADHESION)**

## 4.7 PACKAGED UNIT INSTALLATION

### Procedure

1. Verify that isolation grommets are installed in the five holes on the top mounting bracket.
2. Bring the Condo Pack as close as possible to wall opening (FIG. 4.6.A). Carefully slide the unit into the Wall Sleeve (refer to section "4.4 Wall Sleeve Assembly and Installation") so the front of the unit is in contact with the front flanges of the Wall Sleeve.

### For ease of installation (OPTIONAL):

- a. Install cabinet into the Wall Sleeve without cooling unit.
- b. Slide cooling unit in, after cabinet is in place (FIG. 4.6.B)
- c. Furnace module also can be removed separately (FIG. 4.6.C). Refer to section "4.17.4.2 Furnace Module Removal".

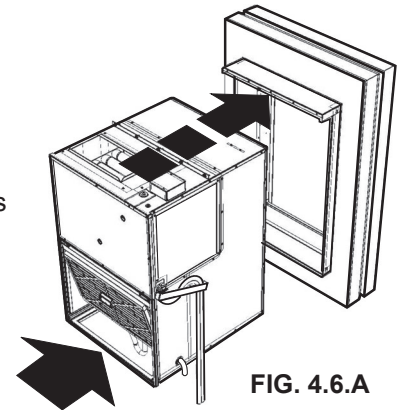
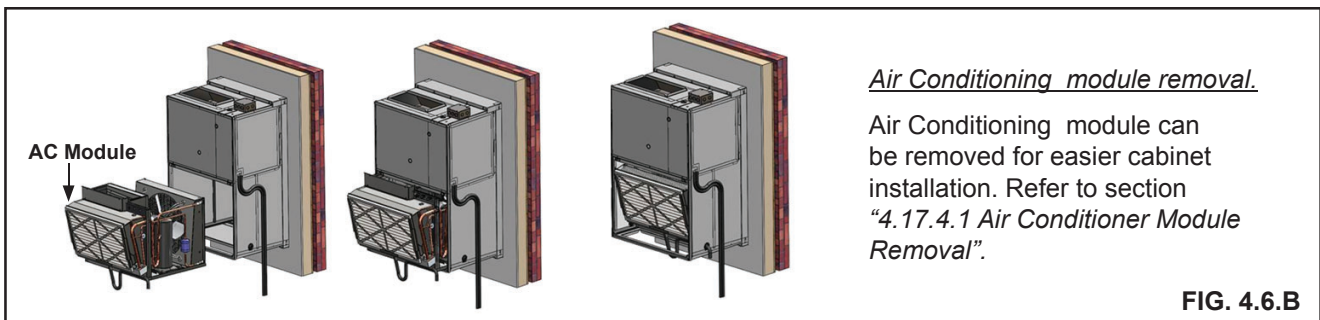


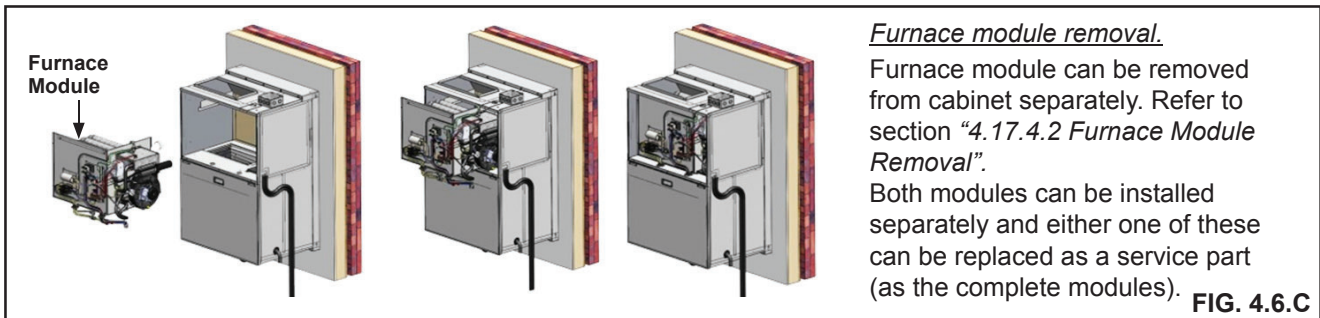
FIG. 4.6.A



### Air Conditioning module removal.

Air Conditioning module can be removed for easier cabinet installation. Refer to section "4.17.4.1 Air Conditioner Module Removal".

FIG. 4.6.B



### Furnace module removal.

Furnace module can be removed from cabinet separately. Refer to section "4.17.4.2 Furnace Module Removal".

Both modules can be installed separately and either one of these can be replaced as a service part (as the complete modules).

FIG. 4.6.C

3. Use a flat washer with each 1/4"-20 x 1 1/4" screw. Secure Condo Pack unit to the Wall Sleeve using five 1 1/4" screws through the isolation grommets in the five holes on the Wall Sleeve top mounting bracket (see FIG. 4.6.D).

**NOTE**

OVER-TIGHTENING THE SCREWS WILL DEFORM THE ISOLATION GROMMETS AND REDUCE THEIR EFFECTIVENESS.

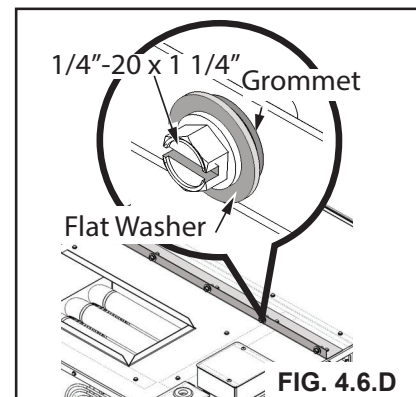


FIG. 4.6.D

4. Caulk and seal all spaces around the top, sides and bottom of the exterior grille area, making sure that the openings for drainage in the bottom edge are not blocked.
5. Shim (FIG. 4.6.E) between unit support (Diagram B) and the bottom rear corners of cabinet to prevent twisting loads onto structural walls.

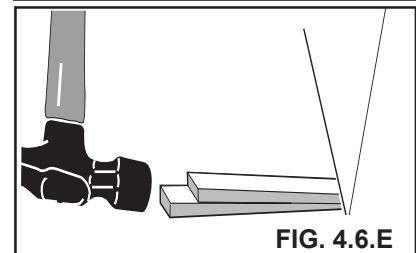
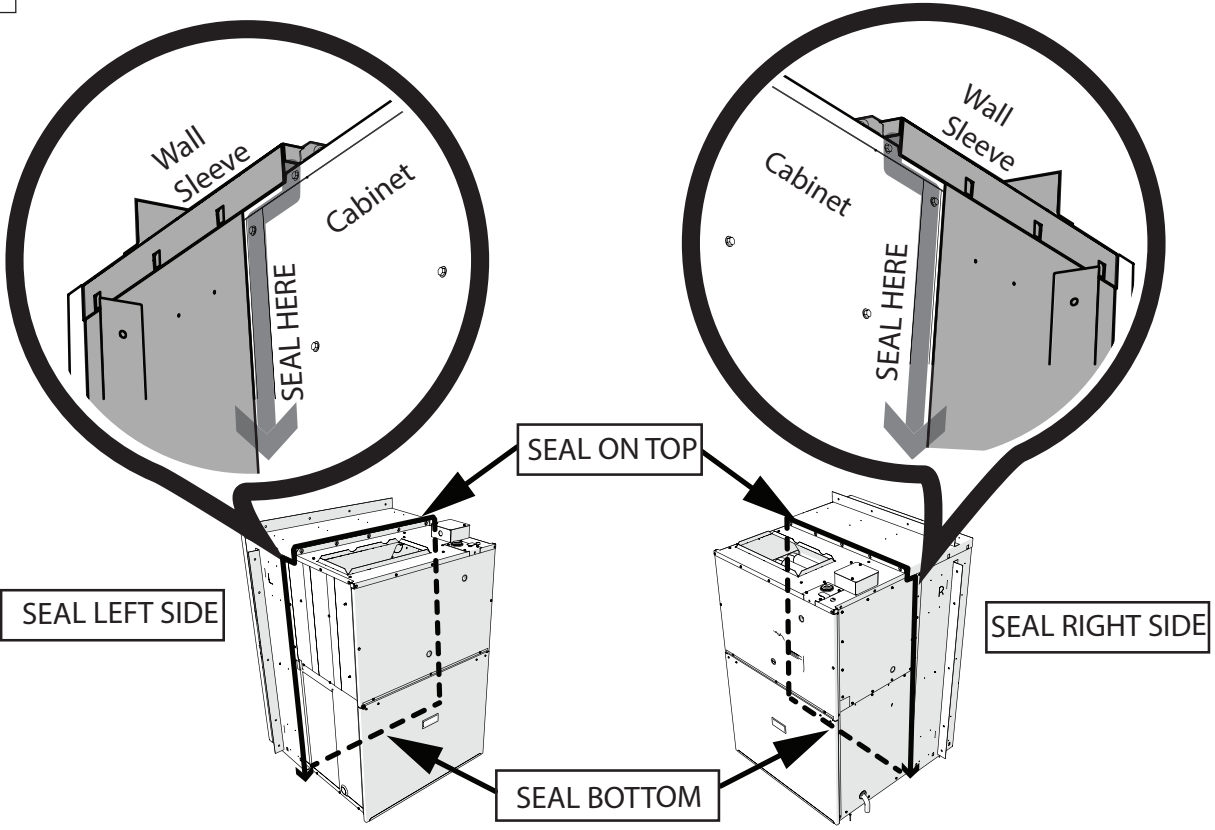


FIG. 4.6.E

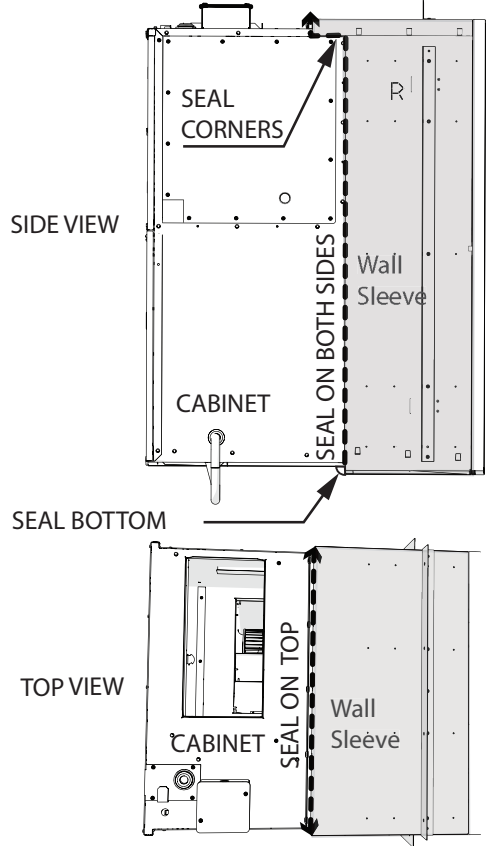
**4.7.1 SEALING: Wall Sleeve and Condo Pack Cabinet**

19



Fill the clearance space between the sleeve and the cabinet with non-hardening caulking compound or non-expanding insulation foam as a protection against the snow, water, moisture and air infiltration.

<p><b>⚠ IMPORTANT ⚠</b></p> <p><b>THE CLEARANCE SPACE BETWEEN THE WALL SLEEVE AND THE CABINET MUST BE COMPLETELY SEALED ON ALL FOUR SIDES IN ORDER TO PREVENT THE MOISTURE AND AIR INFILTRATION.</b></p>
<p><b>⚠ WARNING ⚠</b></p>
<p><b>THESE INSTRUCTIONS ARE INTENDED AS AN AID TO QUALIFIED SERVICE PERSONNEL FOR PROPER INSTALLATION, ADJUSTMENT AND OPERATION OF THE UNIT. READ THESE INSTRUCTIONS THOROUGHLY BEFORE ATTEMPTING INSTALLATION OR OPERATION.</b></p> <p><b>IMPROPER INSTALLATION, ADJUSTMENT, SERVICE, OR MAINTENANCE CAN CAUSE PROPERTY DAMAGE, PERSONAL INJURY, OR DEATH. FOR INFORMATION AND ASSISTANCE CONSULT A QUALIFIED INSTALLER OR SERVICE AGENCY.</b></p>



## 4.8 DUCTWORK

### 4.8.1 Supply Air Ducting

IOM

<b>⚠ IMPORTANT ⚠</b>
<b>BOTH SUPPLY AND RETURN AIR MUST BE DUCTED TO THE APPLIANCE FROM ROOMS SEPARATE TO THE CLOSET ENCLOSURE HOUSING THE APPLIANCE.</b>
<b>SUPPLY AIR DUCT (PLENUM) CONNECTION MUST BE AT LEAST THE SAME SIZE AS THE UNIT SUPPLY AIR OPENING. SEAL SUPPLY AIR DUCTWORK TO UNIT CASING, WALLS, CEILINGS OR FLOORS.</b>

**The ductwork should be sized and constructed in accordance with accepted industry standards:**

The outlet duct may be provided with a removable access panel to view the heat exchanger during unit servicing. Note that a full inspection of the heat exchanger is made possible by the furnace being a “pullout” module. It shall also specify that the cover attachment prevents leaks.

- a. Proper airflow is required for the correct operation of this unit. Insufficient airflow may cause erratic operation, could cause the unit to cycle on the high temperature limit, and may damage the heat exchanger. Excessive airflow may result in an excessively noisy duct system and may result in undesirable consequences such as creating uncomfortable drafts. The total static pressure drop of the air distribution system (including filters) should not exceed 0.5” W.C. It is important to provide duct(s) that are sized sufficiently to handle the larger air volumes for heating or cooling provided by this model.
- b. A FLEXIBLE DUCT CONNECTOR is an effective device to prevent the telegraphing of mechanical noise from the furnace to other parts of the home via the ductwork. If using flexible connectors, ensure that the adjoining duct is independently supported.

**Duct sizing and construction information may be obtained from:**

- **A.C.C.A.** (Air Conditioning Contractors of America)
- **A.S.H.R.A.E.** (American Society of Heating, Refrigeration and Air Conditioning Engineers)
- **H.R.A.I.** (Heating, Refrigerating and Air Conditioning Institute (Canada))
- **S.M.A.C.N.A.** (Sheet Metal and Air Conditioning Contractors’ National Association (United States))

**All of the above professional organizations have duct sizing manuals available.**

<b>⚠ WARNING ⚠</b>
<b>NEVER ALLOW THE PRODUCTS OF COMBUSTION FROM THE FLUE TO ENTER THE RETURN AIR OR SUPPLY AIR DUCTWORK.</b>
<b>⚠ IMPORTANT ⚠</b>
<b>ALL RETURN AIR DUCTWORK MUST BE ADEQUATELY SEALED AND SECURED TO THE UNIT WITH SHEET METAL SCREWS. TAPE THE SHEET METAL SEAMS IN THE VICINITY OF THE UNIT WITH FOIL TAPE OR SIMILAR MATERIAL. WHEN THE UNIT IS MOUNTED ON A PLATFORM WITH RETURN AIR THROUGH THE BOTTOM, IT MUST BE SEALED PROPERLY BETWEEN THE UNIT AND THE RETURN AIR PLENUM. THE FLOOR OR PLATFORM MUST PROVIDE SOUND PHYSICAL SUPPORT OF THE UNIT WITHOUT SAGGING OR GAPS AROUND THE BASE. IT MUST ALSO BE SEALED BETWEEN THE SUPPORT AND THE BASE.</b>

H10.4



## 4.8.2 Return Air Ducting

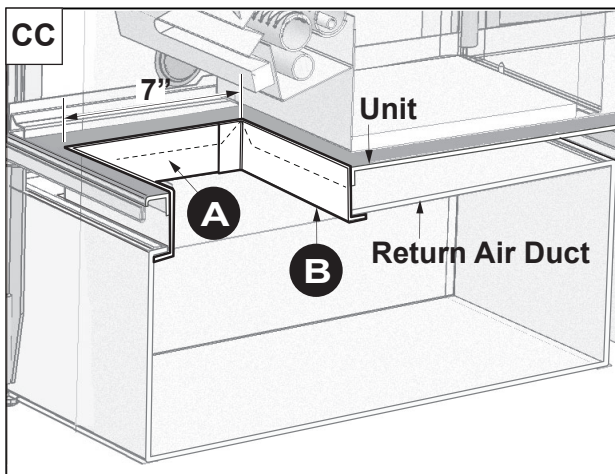
Provide the support inside the building in the area of the return air opening. The support should be high enough to allow for return air to the unit as per requirements.

If required, install a resilient material between the support and the base of the unit to reduce the possible transmission of sound and vibration.

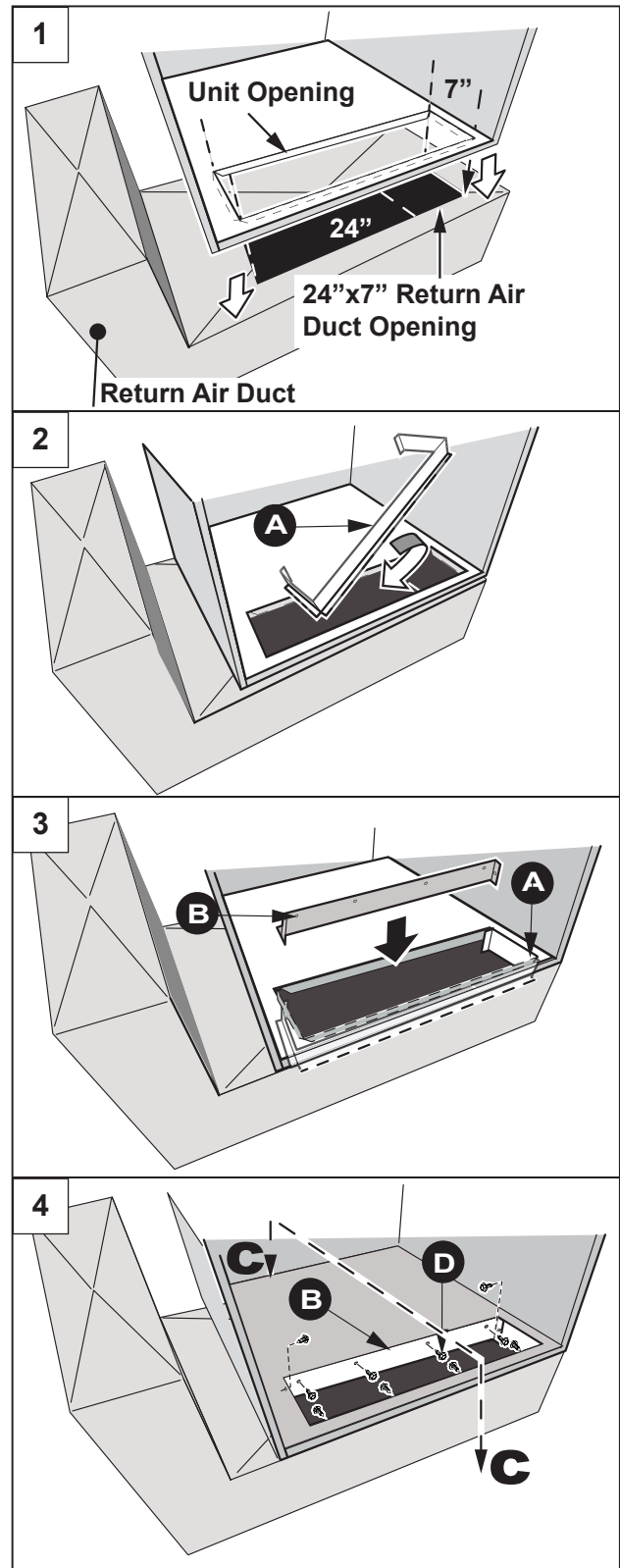
### Unit Flashing

To seal the unit to return air duct (below the support structure), perform following procedure steps:

1. Cut a hole in the return air duct (24"x7").
2. Align the unit opening with a return air duct cut out.
3. Insert steel sheet extension part **A** through the opening.
4. Align the upper edges, adjusting the height.
5. Mount to the Condo Pack using four self-tapping screws provided.
6. Insert second part **B** and mount to extension part **A** using two screws from inside. See cross section **CC** below.



7. Adjust sheet metal extension assembly to the unit opening if necessary and cut off extra sheet length.
8. Secure assembly using four screws **D**.
9. Use Aluminum foil tape to seal all spaces between flashing of return air duct and the unit.



### 4.9 CONDENSATE DRAIN CONNECTION

The furnace and air conditioning condensate drain connections are included, but not installed. Both drain connections are already pre-fabricated with integral P traps. To connect condensate drains to the existing drainage systems, refer to illustrated installation steps 1-17:

**1**

**A** - Furnace Hoses:  
A1 = 1/2" ID  
A2 = 5/8" ID

**B** - AC Hose:  
B = 5/8" ID

**2**

**A2** 5/8" ID  
**A1** 1/2" ID

**C** - Hose Clamp 2X  
**A1/A2** - Furnace Hoses

**3**

5/8" ID

**B** - AC Hose = 5/8" ID  
**C** - Hose Clamp 1X

**4**

**A** 5/8" ID  
**A1** 1/2" ID  
**A2**

Pull two clamps **C** over **A1&A2** hose ends.

**5**

1. Remove two caps (not shown) from the bottom of barbed T fittings **F**.

Connect **A1&A2** hose openings to **T** fittings and tighten both clamps.

**6**

**A** 5/8" ID  
**A2** 5/8" ID  
**A1** 1/2" ID  
**D**

Navigate hoses **A1&A2** INSIDE of support bracket **D** as shown. Mount bracket **D** into position and secure it with screw provided.

**7**

**E**  
**F**

Remove both caps **E** from the top of T fittings **F**.

**8**

Prep hose by adding RV grade plumbing antifreeze into both **A1&A2** hose openings until liquid starts dripping from the other end.

Drain extra liquid.

**9**

In order for furnace to operate, this trap has to be filled with water as shown.

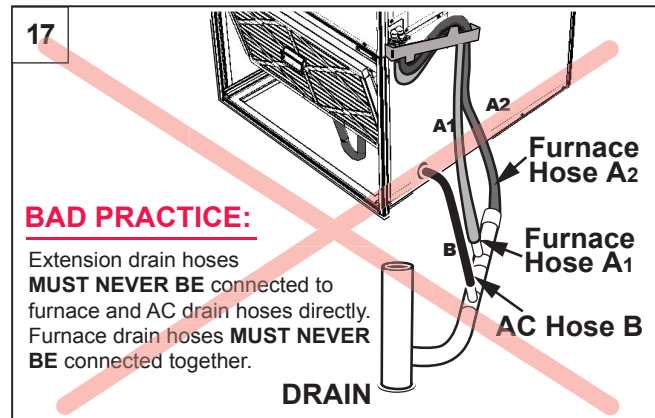
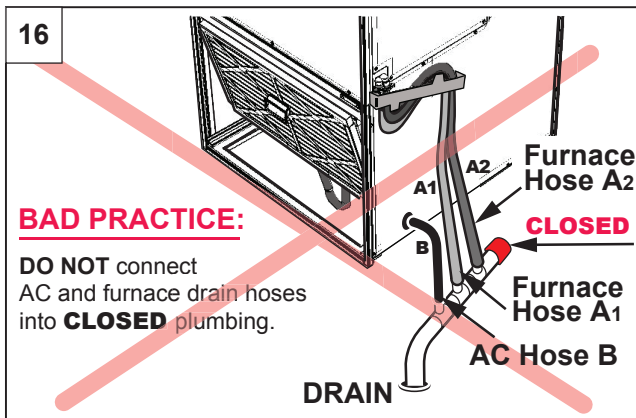
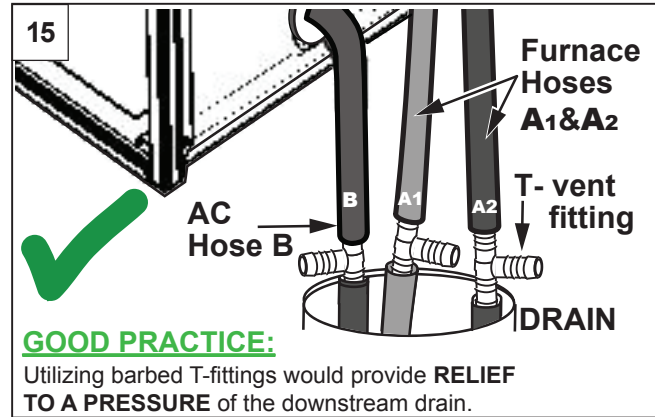
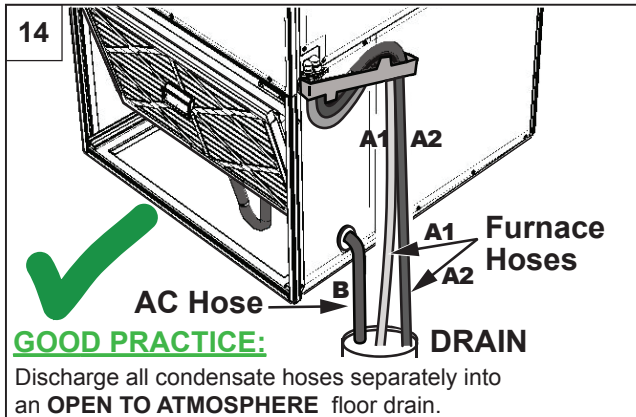
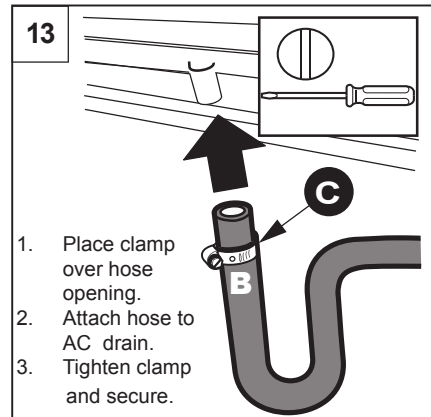
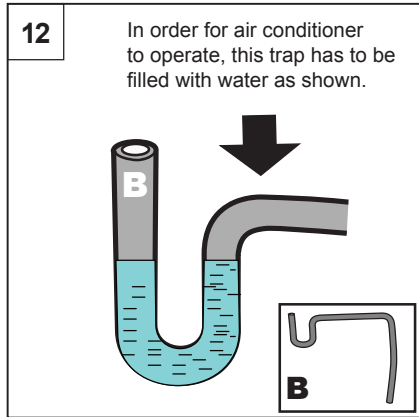
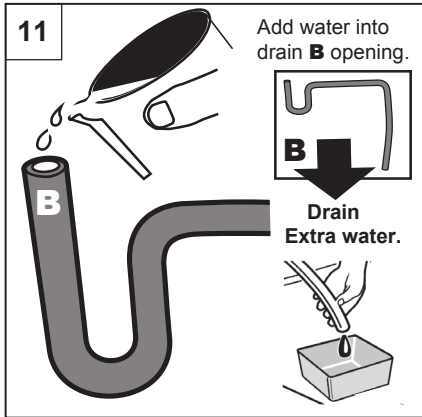
**10**

After adding water, **PLACE CAPS BACK** onto barbed T fittings. Check drain hoses inside. Ensure the clamps are tightly clamped to fittings.

**E**  
**F**

**⚠ WARNING ⚠**

**CAPS COVERING BARBED FITTINGS SHALL ONLY BE REMOVED DURING PRIMING OF THE P-TRAP, THEY MUST BE FIRMLY IN PLACE COVERING BARBED FITTINGS DURING UNIT OPERATION. IN ADDITION, ALL DRAIN TUBES MUST BE TIGHTLY CLAMPED TO THE BARBED FITTINGS. FAILURE TO FOLLOW EITHER OF THESE CONDITIONS DURING UNIT OPERATION COULD CAUSE EXHAUST PRODUCTS TO ENTER THE LIVING SPACE WHICH MAY RESULT IN PROPERTY DAMAGE, PERSONAL INJURY OR DEATH.**



**CAUTION** **DO NOT** drain the condensate outdoors. **DO NOT** run the condensate line through areas where freezing might occur. Freezing of condensate can result in erratic operation and in property damage.

**NOTE**

THE CONDENSATE HOSE LEAVING THE SIDE OF THE APPLIANCE SHALL FOLLOW A DOWNWARD SLOPE TO THE BUILDING DRAIN AT ALL TIMES. CONDENSATE FROM THE OUTLET OF THE DRAIN TRAP ASSEMBLY MUST BE CONVEYED TO A FLOOR DRAIN, OR TO A CONDENSATE PUMP, BE SURE THAT IT IS APPROVED FOR FURNACE CONDENSATE.

**DO NOT** SUBMERGE THE DRAIN HOSE TERMINATION UNDER WATER BECAUSE IT WILL CREATE AIR TRAP AND CAUSE FLOODING.



## 4.10 VENTING AND COMBUSTION PIPING

The venting system is an integral part of the appliance and is designed for proper operation under all weather conditions and for winds up to 32 miles per hour. The venting system must not be modified or added on to. The vent outlet must not be altered or extended. Installation sites with extreme wind conditions may require wind kit. *(Consult with Customer Solutions for further information about Wind kit).*

The unit contains an exhaust blower which draws the combustion products out of the heat exchanger together with dilution air and forces the mixture from the unit to the outside. No special provisions are required for supplying air for combustion, nor is a chimney required.

## 4.11 GAS SUPPLY AND PIPING

In Canada, the gas piping should be installed in accordance with CAN/CSA-B149.1 and B149.2, and in accordance with any local codes. In the United States, the gas piping should be installed in accordance with (NFGC) NFPA 54 / ANSI Z223.1 and any local codes.

If local codes allow the use of a flexible gas appliance connector, always use a new listed connector. Do not use a connector which has previously serviced another gas appliance. For a lever-type valve use only a shut-off gas valve approved by CAN/CSA B149.

## 4.12 GAS CONNECTIONS

<b>⚠ IMPORTANT ⚠</b>
<b>ALWAYS USE A BACKSTOP WRENCH TO PREVENT TWISTING OF THE GAS VALVE. ANY STRAINS ON THE GAS VALVE CAN AFFECT POSITIONING OF THE ORIFICES RELATIVE TO THE BURNERS. THIS COULD RESULT IN FAULTY BURNER OPERATION.</b>
<b>ENSURE THAT THE GAS VALVE IS NOT SUBJECTED TO HIGH PRESSURES.</b>
<b>⚠ WARNING ⚠</b>
<b>DISCONNECT THE MANUAL SHUT-OFF VALVE AND GAS VALVE DURING ANY PRESSURE TESTING THAT EXCEEDS 1/2 P.S.I.G. (3.45 kPA).</b>

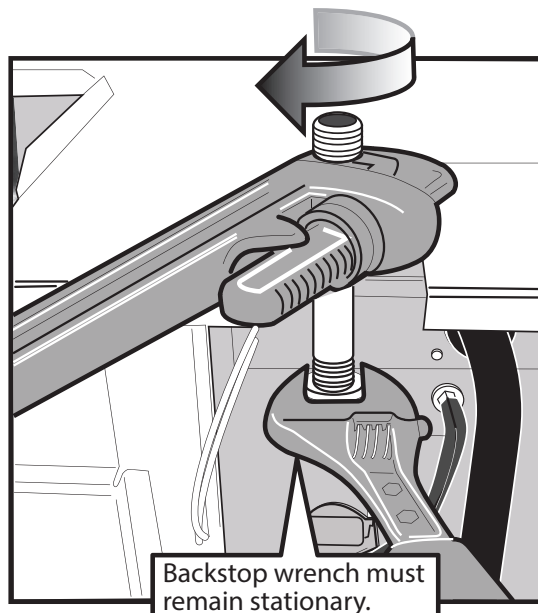


FIG. 4.12

### 4.13 GAS INLET PRESSURE

The natural gas inlet supply pressure must be between 5.0" - 10.5" W.C. The LP gas inlet supply pressure must be between 11" - 13" W.C. for 15K, 30K, 40K input rate units and between 12"- 13" W.C. for 50K input rate unit. These pressures must be maintained while all other gas fired appliances are operating at maximum conditions.

#### ⚠ IMPORTANT ⚠

**DO NOT EXCEED 13" W.C. INLET PRESSURE FOR LP GAS AND 10.5" W.C. FOR NATURAL GAS.**

The gas valve has an adjustable internal regulator for controlling burner manifold pressure. Burner manifold pressure is listed on the furnace rating plate.

#### ⚠ WARNING ⚠

**THE FURNACES ARE FACTORY EQUIPPED TO BURN NATURAL GAS ONLY.**

**CONVERSION TO LP GAS REQUIRES A NATURAL GAS TO LP CONVERSION KIT (W370-0040).**

**FAILURE TO USE THE PROPER CONVERSION KIT CAN CAUSE FIRE, EXPLOSION, CARBON MONOXIDE POISONING, PROPERTY DAMAGE, PERSONAL INJURY OR LOSS OF LIFE.**

#### ⚠ IMPORTANT ⚠

- **CONVERSION OF THE FURNACES REQUIRES SPECIALIZED EQUIPMENT. CONVERSION MUST BE COMPLETED BY A TRAINED AND QUALIFIED INSTALLER, SERVICE AGENCY OR GAS SUPPLIER.**
- **CONNECT THIS FURNACE ONLY TO GAS SUPPLIED BY A COMMERCIAL UTILITY OR SUPPLIER. PRIVATE GAS WELLS DO NOT GENERALLY PROVIDE GAS WITH CONSISTENT, UNIFORM AND PREDICTABLE HEATING VALUES AND DENSITIES. MANY NON-COMMERCIAL WELLS CONTAIN IMPURITIES SUCH AS SULFUR, WHICH MAY DAMAGE THE FURNACE. THIS FURNACE CANNOT OPERATE PROPERLY OR SAFELY USING FUELS OUTSIDE NORMAL COMMERCIAL STANDARDS.**

In Canada, the gas piping should be installed in accordance with CAN/CSA-B149.1 and 2, and in accordance with any local codes. In the United States, the gas piping should be installed in accordance with (NFGC) NFPA 54 / ANSI Z223.1 and any local codes. If local codes allow the use of a flexible gas appliance connector, always use a new listed connector. Do not use a connector, which has previously serviced another gas appliance.

#### ⚠ IMPORTANT ⚠

To maintain a good seal in the burner area, the gas piping through the top panel into the furnace must be 1/2" Schedule 40 black iron pipe. The pipe passes through a special rubber grommet that is custom manufactured to seal tightly around the gas pipe (FIG 4.13.).

#### ⚠ IMPORTANT ⚠

Always use a backstop wrench to prevent twisting of the gas valve. Any strains on the gas valve can affect positioning of the orifices relative to the burners. This could result in faulty burner operation.

**ENSURE THAT THE GAS VALVE IS NOT SUBJECTED TO HIGH PRESSURES.**

FIG. 4.13



H17.3.7A

## 4.14 LEAK TESTING

All new gas piping installations should be pressure tested as specified by CAN/CSA-B149.1 & 2, or NFPA 54 ANSI Z223.1 or ANSI/NFPA 58, "Standard for the Storage and Handling of Liquefied Petroleum Gases."

Gas piping that has not been pressure tested, from the manual shut-off valve to the furnace gas valve for example, should be leak tested using an electronic combustible gas detector, a commercially prepared leak detector, or other locally approved method.

## 4.15 PURGING GAS LINES

Both, the unit and its manual gas shut-off valve must be disconnected from the gas supply piping system during any pressure testing of that system, if test pressure exceeds 1/2 psi (3.5 kPa).

<b>! WARNING !</b>
<b>FIRE OR EXPLOSION HAZARD! NEVER TEST FOR GAS LEAKS WITH AN OPEN FLAME. NEVER USE A MATCH, TAPER, CIGARETTE LIGHTER, FLAME OR ANY OTHER IGNITION SOURCE TO CHECK FOR LEAKS IN A GAS LINE.</b>
<b>USE A COMMERCIALY AVAILABLE SOAP SOLUTION MADE SPECIFICALLY FOR THE DETECTION OF LEAKS TO CHECK ALL CONNECTIONS.</b>
<b>FAILURE TO ADHERE TO THIS WARNING CAN CAUSE A FIRE OR EXPLOSION RESULTING IN PROPERTY DAMAGE, PERSONAL INJURY, OR LOSS OF LIFE.</b>

## 4.16 CONVERSIONS

### 4.16.1 High Altitude Conversion

This furnace is approved for high altitude installations with natural gas or propane in Canada and USA from 0 to 4500ft (1370m).

Installation of this furnace at altitudes above 4500ft (1370m) shall be in accordance with local codes, or in the absence of local codes, the National Fuel Gas Code, ANSI Z223.1/ NFPA 54, or National Standard of Canada, Natural Gas and Propane Installation Code, CSA B149.1.

In Canada, when this furnace is installed at elevations above 4500ft (1370m), the certified high-altitude input rating shall be reduced at the rate of 4% for each additional 1000ft (305m).

In United States, when this furnace is installed at elevations above 4500ft (1370m), the input ratings are to be reduced at the rate of 4% for each 1000ft (305m) above sea level. Consult with local fuel suppliers or authorities to determine local regulations or customs.

### 4.16.2 Natural to LP Gas Conversion

This unit is manufactured as a natural gas appliance that may be converted to LP gas through the use of the **Conversion Kit (W370-0040)**. This kit contains the conversion kit instructions, orifices needed for all models, the regulator spring for the gas valve, and a label to affix adjacent to the appliance rating plate to alert subsequent service technicians of the conversion. The parts removed for this conversion must remain with the furnace for any future conversion back to natural gas.

### 4.16.3 Checking the Inlet Gas Pressure

#### WHITE-RODGERS 36J24-214 / 36J24-218P1 SINGLE STAGE GAS VALVE (W010-2614)

1. Turn off the gas and electrical supply to the furnace.
2. Back off inlet pressure test screw (inlet pressure boss, see FIGURE 28 & 29) counterclockwise out one turn maximum, with a 3/32" Allen wrench. Attach a hose and calibrated U-tube or digital manometer to the inlet pressure boss. Hose should overlap boss 3/8". The manometer must have a scale range of at least 0" to 15.0" of water column (W.C.).
3. Turn ON the gas and electrical supply and operate the furnace and all other gas consuming appliances on the same gas supply line. Using a leak detection solution, check for leaks around the gas valve/manifold connection and the burner orifices. Repair any leaks before continuing.
4. Measure furnace gas inlet pressure with burners firing. Inlet pressure must be within the range specified on the furnace rating plate. 5.0" - 10.5" W.C. (Natural Gas) or must be between 11" - 13" W.C. (LP) for 15K, 30K, 40K input rate units and between 12" - 13" W.C. (LP) for 50K input rate unit.

If the inlet pressure differs from the rating plate, check the gas piping size and/or consult with local gas utility. If working on a natural gas system, contact the gas utility. They may insist on any service regulator adjustments being made by their own staff.

5. Turn off gas and electrical supply to furnace, remove the manometer hose from the inlet pressure tap boss, and tighten the inlet pressure tap screw using the 3/32" Allen wrench. (Clockwise, 7 in-lb minimum).
6. Turn on the gas supply and electrical power to the furnace.
7. Using a leak detection solution, check for leaks at pressure boss screw. Bubbles forming indicate a leak. **SHUT OFF GAS AND FIX ALL LEAKS IMMEDIATELY!**
8. Turn gas back on and test inlet pressure boss with leak detector.
9. If the inlet pressure differs from the rating plate, check the gas piping size and/or consult with local gas utility. If working on a natural gas system, contact the gas utility. They may insist on any service regulator adjustments being made by their own staff.

If problems were encountered with obtaining enough pressure, first examine the gas piping system to ensure that it is correctly sized. Pipe sizing is specified in CAN/CSA-B-149.1 & 2, and in NFPA 54 / ANSI Z223.1. Be sure to check for restrictions, partially closed valves, etc.

In some circumstances, high inlet pressure can be remedied with the use of an in line appliance regulator. If an in line appliance regulator is used, ensure that it has the capacity to adequately handle the gas volume required by the furnace and any other appliances receiving gas from the header serving the furnace.

FIG. 28. - WHITE RODGERS 36J24-214 GAS VALVE (W010-2614)

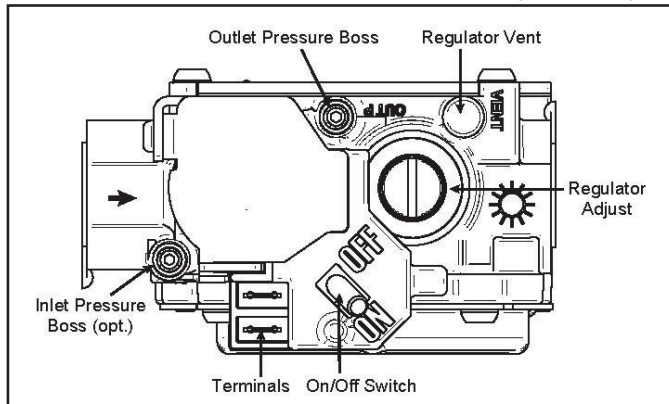
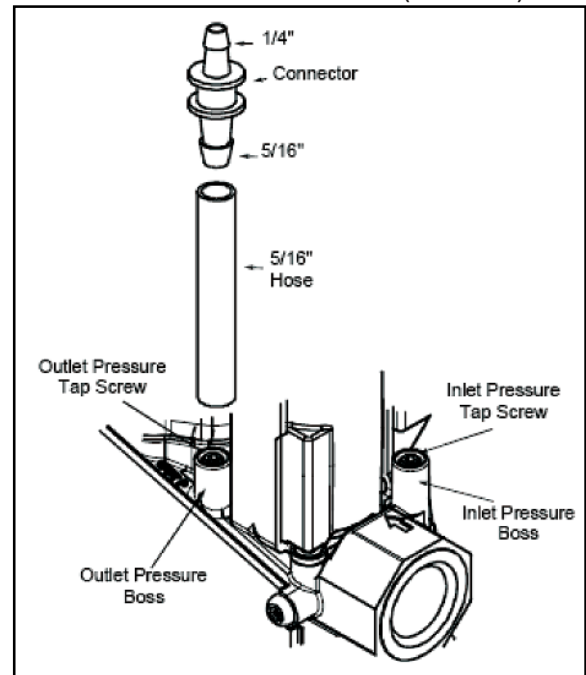


FIG. 29. VALVE PRESSURE CHECK KIT (W010-2614)



#### 4.16.4 Setting the Manifold Pressure

When the installation is completed to the "Start-up & Setup" stage, test the gas manifold pressure by following these steps:

##### WHITE-RODGERS 36J24-214 SINGLE STAGE GAS VALVE (W010-2614)

1. Turn off the gas and electrical supply before proceeding.
2. Back off outlet pressure test screw (outlet pressure boss, see fig. 28 & 29) counterclockwise out one more turn maximum, with a 3/32" Allen wrench. Attach a hose and a calibrated U-tube or digital manometer to the outlet pressure boss. Hose should overlap boss 3/8". The manometer must have a scale range of at least 0" to 15.0" of water column (W.C.).
3. Turn on the gas supply and electrical power to the furnace and energize main solenoid by connecting R to W on the integrated control board.

- Remove screw from the outlet pressure regulator adjust tower (fig.28) and turn the plastic regulator adjustment screw clockwise to increase manifold pressure or counterclockwise to reduce manifold pressure. Manifold pressure must be set to 3.5" W.C. for natural gas. For LP gas, the manifold pressure must match with the rating label and set as per the value listed below:

For 15K unit = 9.5" W.C., 30K unit = 9.3" W.C., 40K unit = 9.6" W.C., and 50K unit = 11.2" W.C.

Always adjust regulator according to original equipment manufacturer's specifications listed on the appliance rating plate.

When the correct pressure has been established, securely replace the regulator cover screw.

**FAILURE TO REPLACE COVER SCREW WILL LEAD TO A FIRE HAZARD!**

- Turn off the gas and electrical supply to the furnace.
- Remove the manometer hose from the outlet pressure tap boss, and tighten the outlet pressure tap screw using the 3/32" Allen wrench. (Clockwise, 7 in-lb minimum).

## ⚠ WARNING ⚠

**ALL REGULATOR ADJUSTMENTS MUST BE DONE BY A TRAINED, QUALIFIED TECHNICIAN. IMPROPER MODIFICATIONS OR ADJUSTMENTS CAN RESULT IN FIRE OR EXPLOSION CAUSING PROPERTY DAMAGE, SEVERE PERSONAL INJURY OR LOSS OF LIFE.**

H3.21

- Turn on the gas supply and electrical power to the furnace.
- Turn on system power and energize valve.
- Using a leak detection solution, check for leaks at pressure boss screw. Bubbles forming indicate a leak. **SHUT OFF GAS AND FIX ALL LEAKS IMMEDIATELY!**

### 4.16.5 Checking Furnace Input

The natural gas supply pressure must be between 5.0"-10.5" W.C. The burner manifold pressure is factory set to 3.5" W.C.. The input rating of the heat module is based on 1000 Btu/ft<sup>3</sup> gas.


Since heating values for the gas vary geographically, the actual heat module input and output will vary accordingly. For example, natural gas with a 900 Btu/ft<sup>3</sup> heating value will reduce the input to 90% of the rated input. Natural gas with a 1100 Btu/ft<sup>3</sup> heating value will increase the input to approximately 110% of the rated input. This is not usually a problem; however, adjustments to compensate for this can be made by minor adjustments to the burner manifold pressure or by changing the burner orifice size. Contact the fuel supplier for specific heating content values.

Any adjustments to the burner manifold pressure should be carried out with the use of a manometer or calibrated Magnehelic® gauge. Do not adjust the gas valve pressure regulator more than ±0.3" W.C. Refer to: *Setting The Manifold Gas Pressure and Figure 30.*

## ⚠ IMPORTANT ⚠

**NEVER ADJUST THE INPUT OF THE HEAT MODULE TO EXCEED THE INPUT SHOWN ON THE RATING PLATE.**

**FIG. 30. - MANOMETER MEASURING GAS MANIFOLD PRESSURE**

<p style="text-align: center;"><b>INPUT = <math>\frac{\text{HEATING value of gas X 3600}}{\text{TIME in sec. for 1 CU. FT.}}</math></b></p> <p><i>where:</i></p> <ul style="list-style-type: none"> <li>• <b>INPUT</b> is expressed in btu/hr</li> <li>• <b>HEATING</b> value of the gas is expressed in btu/ft<sup>3</sup></li> <li>• and <b>TIME</b> is the number of seconds required for the test dial to indicate 1 cubic foot.</li> </ul> <p><i>If using a gas meter with SI (metric) units:</i></p> <ul style="list-style-type: none"> <li>• 1 cubic foot = 0.0283 cubic meters</li> <li>• 1 cubic meter = 35.315 cubic feet</li> <li>• 0.01 cubic meter = 0.3531 cubic feet</li> <li>• 0.5 cubic meter = 1.766 cubic feet</li> </ul>	
--	--

H18.6.3



## 4.17 ELECTRICAL

### ⚠ WARNING ⚠

**ALL ELECTRICAL WORK MUST BE DONE BY A TRAINED, QUALIFIED TECHNICIAN. IMPROPER MODIFICATIONS OR ADJUSTMENTS CAN RESULT IN FIRE OR EXPLOSION, CAUSING PROPERTY DAMAGE, SEVERE PERSONAL INJURY OR LOSS OF LIFE.**

- In Canada, all electrical work and grounding must be in accordance with the latest edition of CSA-C22.1, Canadian Electrical Code Part 1, and any applicable local code. In the United States, all electrical work must be in accordance with the latest edition of the National Electrical Code, ANSI / NFPA 70.
- The operating voltage of the unit is from 197 to 253 volts. Operating the equipment outside of these limits will void the warranty.
- The wiring diagram is located behind the furnace access panel.
- Ensure that electrical components in the indoor section are protected from water.

The rating plate indicates the operating voltage, phase, ampacity, maximum fuse size, and minimum voltage. Refer to the rating plate located on the unit for proper fuse or breaker size.

### 4.17.1 Electrical Wiring And Connections

#### 4.17.1.1 Main Disconnect Switch

Before proceeding with the electrical connections, ensure that the available electrical supply is compatible with the voltage, frequency and phase listed on the appliance rating plate.

It is NOT permissible to connect unit to accessories such as humidifier transformers, condensate pumps and electronic air cleaners.

### ⚠ WARNING ⚠

**PROVIDE EACH CONDO PACK UNIT WITH ITS OWN SEPARATE ELECTRICAL CIRCUIT, MEANS OF CIRCUIT PROTECTION, AND ELECTRICAL DISCONNECT SWITCH. FOLLOW CURRENT NATIONAL ELECTRICAL CODE ANSI/NFPA 70, CSA C22.1 C.E.C. PART 1, AND STATE AND LOCAL CODES. FAILURE TO PROVIDE THESE SHUT-OFF MEANS COULD CAUSE ELECTRICAL SHOCK OR FIRE, RESULTING IN DAMAGE, INJURY OR DEATH.**

### ⚠ WARNING ⚠

**SHUT OFF ELECTRICAL POWER AT THE FUSE BOX OR SERVICE PANEL BEFORE MAKING ANY ELECTRICAL CONNECTIONS. FAILURE TO DO SO CAN CAUSE ELECTRICAL SHOCK RESULTING IN PERSONAL INJURY OR LOSS OF LIFE.**

- THE FURNACE CABINET MUST HAVE AN UNINTERRUPTED GROUND.
- A GROUND WIRE IS PROVIDED IN THE ELECTRICAL JUNCTION BOX.
- DO NOT USE GAS PIPING AS A GROUND.

**FAILING TO GROUND THE FURNACE PROPERLY CAN RESULT IN ELECTRIC SHOCK RESULTING IN PERSONAL INJURY OR DEATH.**



### 4.17.1.2 Service Switch

It is mandatory to supply the unit with a disconnect switch located BEFORE the unit, making sure that one does not have to pass the unit perimeter in order to disconnect power to the unit.

Although is not necessary, but is recommended that rooms with more than one entrance are equipped with a separate unit disconnect switch, located close the room entrance.

#### ⚠ IMPORTANT ⚠

**THE SERVICE SWITCH SHOULD BE CLEARLY LABELED AND INSTALLED IN A LOCATION WHERE IT IS NOT LIKELY TO BE MISTAKEN AS BEING A LIGHT SWITCH OR SIMILAR CONTROL.**

### 4.17.2 Unit Connection

The unit is shipped fully wired except for the connections to the house wiring. The unit power connections are made in a junction box located on the top of the cabinet (refer to Figure 4.0). The junction box contains a BLACK wire to be connected with L1 (hot), a RED wire to be connected with L2 (Neutral), and a Green (GROUND) wire to be connected to the GROUND LUG.

#### **NOTE**

Use good quality wire nuts such as Marrette® connectors, Ideal® wire nuts, etc.

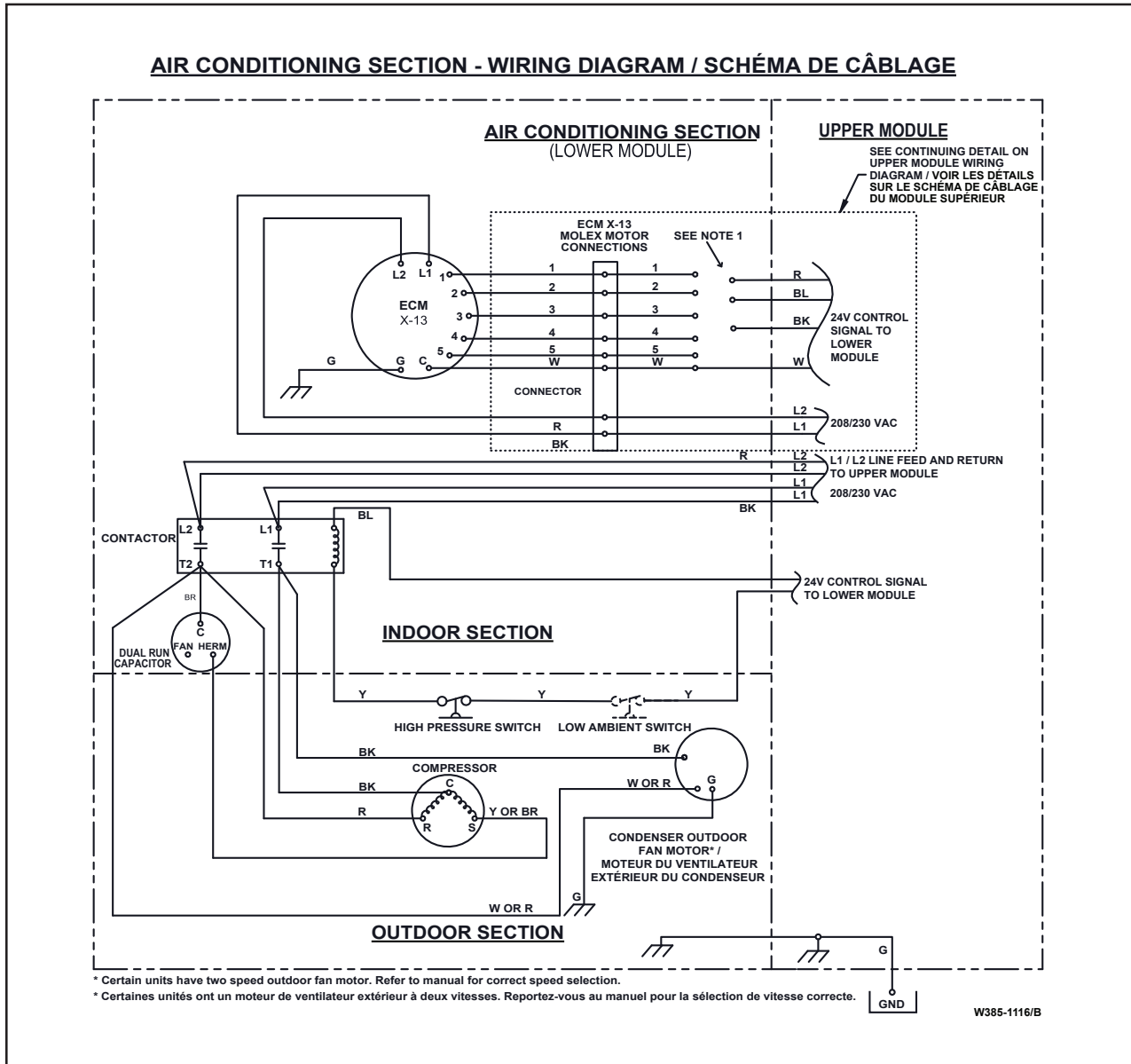
#### ⚠ IMPORTANT ⚠

**USE COPPER CONDUCTORS ONLY.**

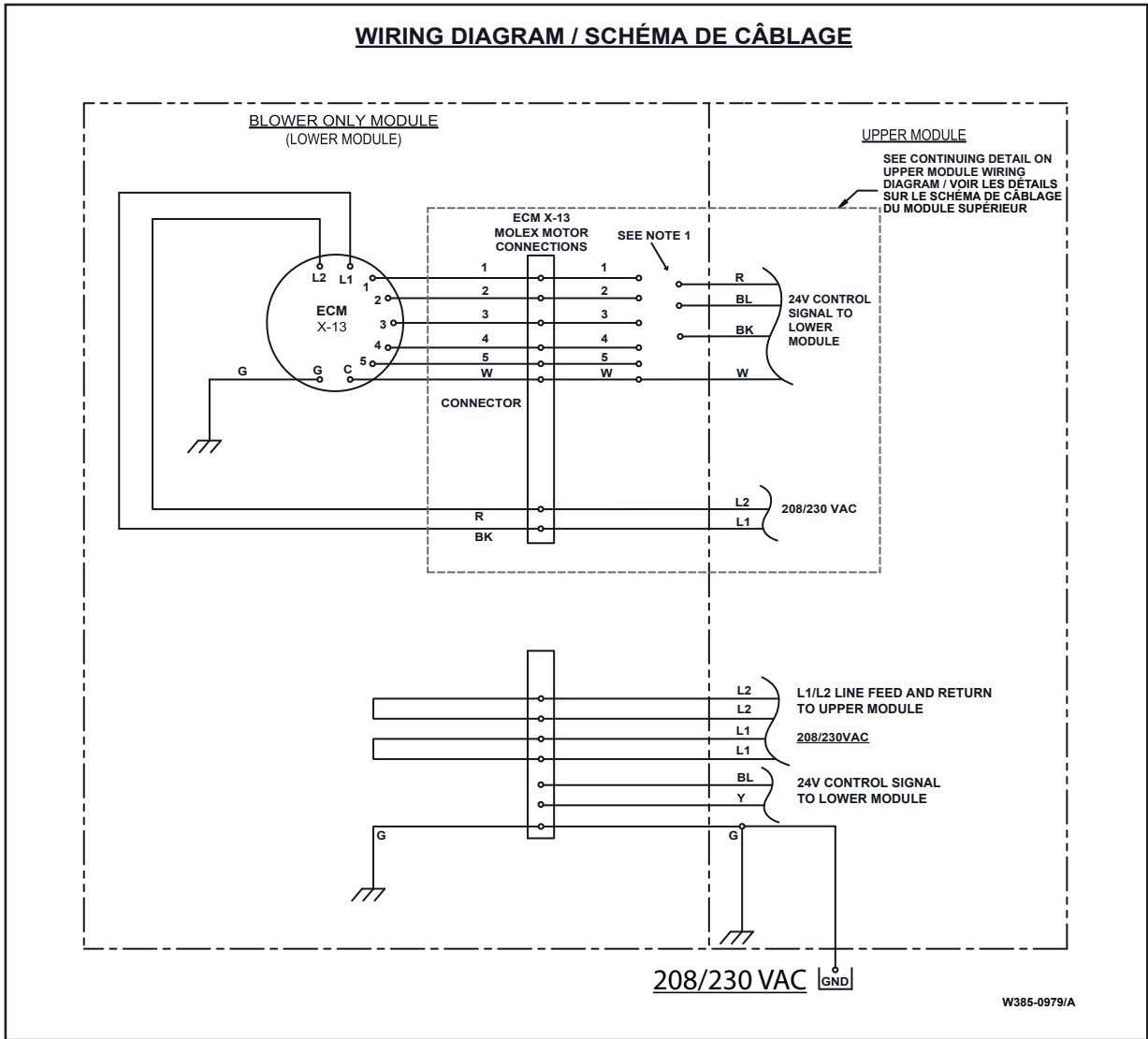
H19.3



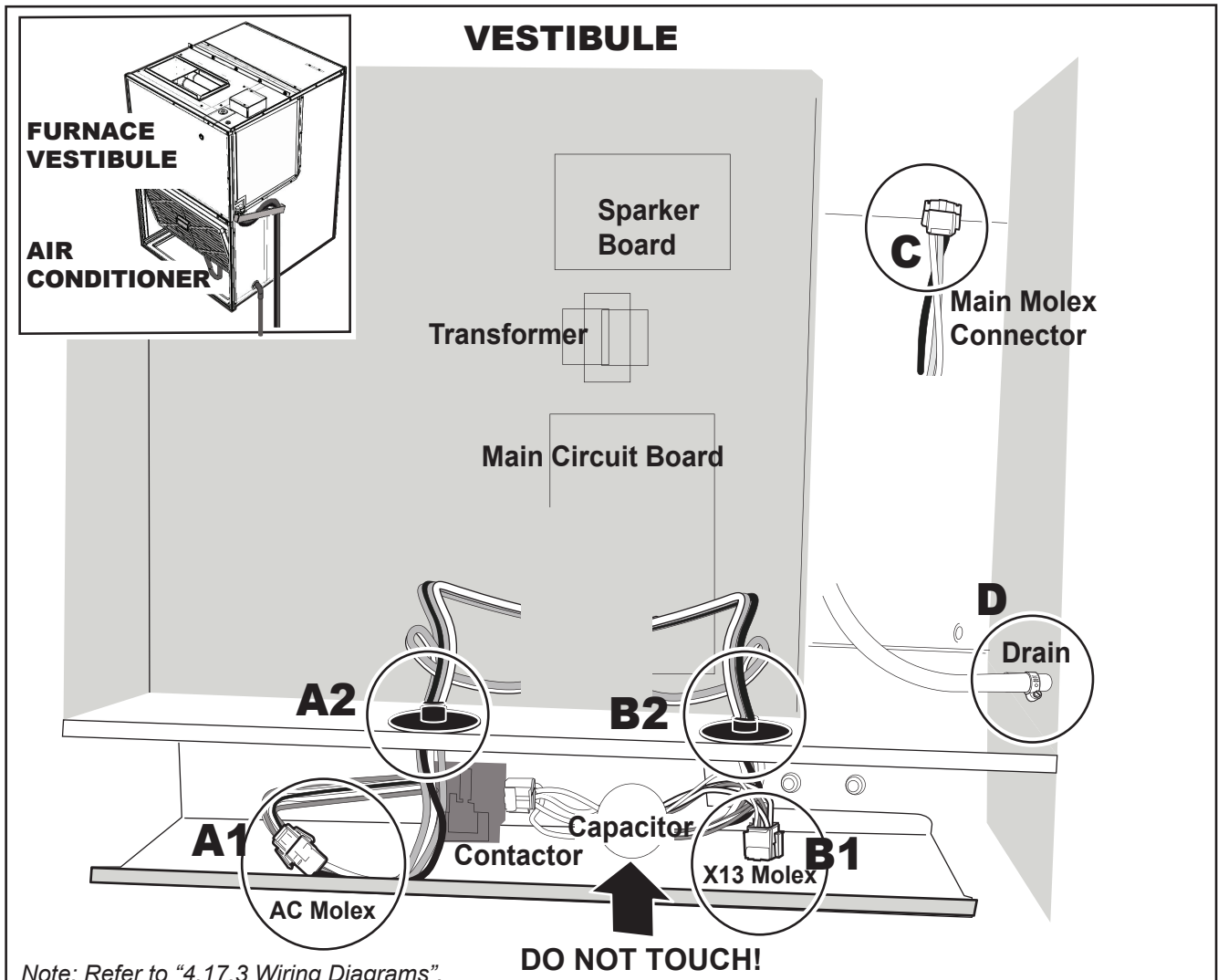
4.17.3.2 Air Conditioner (Lower Section) Wiring Diagram



4.17.3.3 Blower Only (Lower Module) Wiring Diagram



4.17.4 Removal of Air Conditioner and Furnace Modules



**! WARNING !**

ALL ELECTRICAL WORK MUST BE DONE BY A TRAINED, QUALIFIED TECHNICIAN. IMPROPER MODIFICATIONS OR ADJUSTMENTS CAN RESULT IN FIRE OR EXPLOSION CAUSING PROPERTY DAMAGE, SEVERE PERSONAL INJURY OR LOSS OF LIFE.

**1**

1. Turn Main Power disconnect **OFF**.  
2. Turn Gas Disconnect **OFF**.

**2**

AC module: Pull lower door off.

**3**

Remove filter from the filter rack.

**4.17.4.1 Air Conditioner Module Removal**

**4**

Remove the screws from the furnace front panel.

**5**

Pull down and remove the front panel.

**6**

Squeeze the two tabs on the Molex connector **A1** and take apart AC wiring harness.

**7**

Squeeze the two tabs on the X13 Blower Motor Molex Connector **B1** to separate the wiring.

**8**

Take apart blower wiring harness by disconnecting Molex Connector **B1**.

**9**

Once Molex is separated, rotate **A2** plastic block 1/4 turn.

**10**

Pull out the first set of wiring harness **A2**.

**11**

Rotate **B2** plastic block 1/4 turn.

**12**

Pull up the second wiring harness out from the opening.

**13**

Disconnect the main Molex Connector **C** (Optional for AC modul).

**14**

Disconnect AC drain hose.

**15**

Remove the bracket underneath if necessary and slide the AC unit out.



**4.17.4.2 Furnace Module Removal**

**16**

Remove the screws from the furnace front panel.

**17**

Pull down and remove the front panel.

**18**

Squeeze the two tabs on the Molex connector **A1** and take apart AC wiring harness.

**19**

Squeeze the two tabs on the X13 Blower Motor Molex Connector **B1** to separate the wiring harness.

**20**

Take apart blower wiring harness by disconnecting Molex Connector **B1**.

**21**

Once Molex is separated, rotate **A2** plastic block 1/4 turn.

**22**

Pull out the first wiring harness **A2**.

**23**

Rotate **B2** plastic block 1/4 turn.

**24**

Pull up the second set of wiring harness out from the opening.

**25**

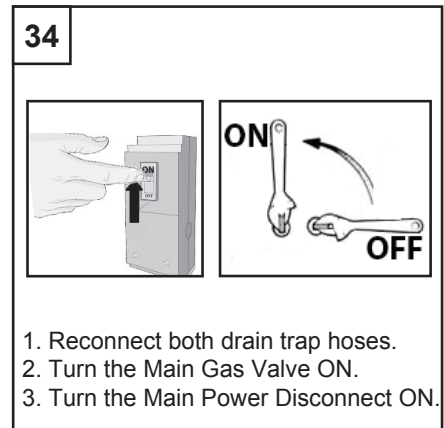
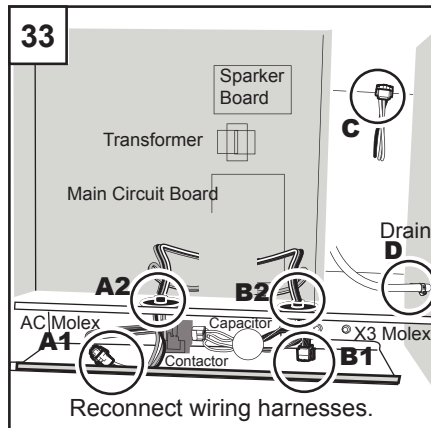
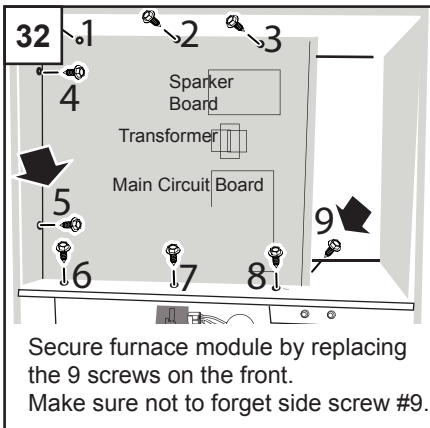
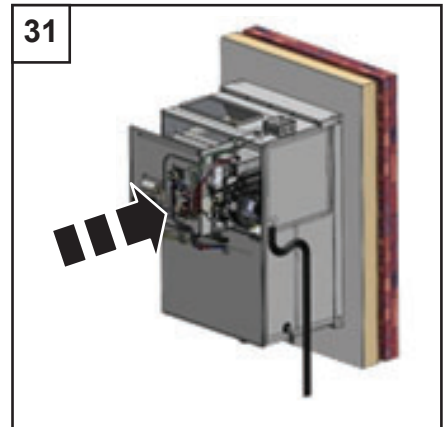
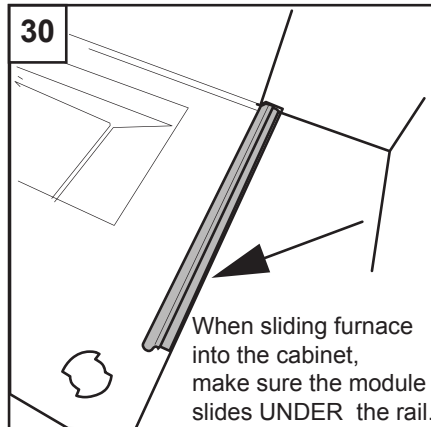
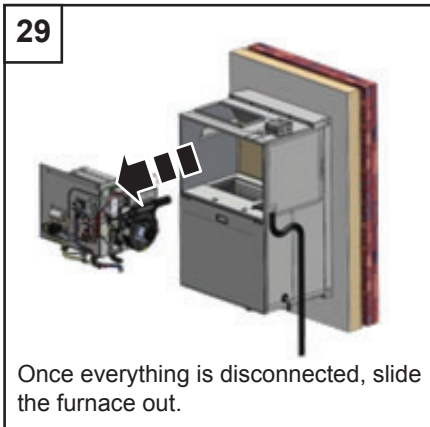
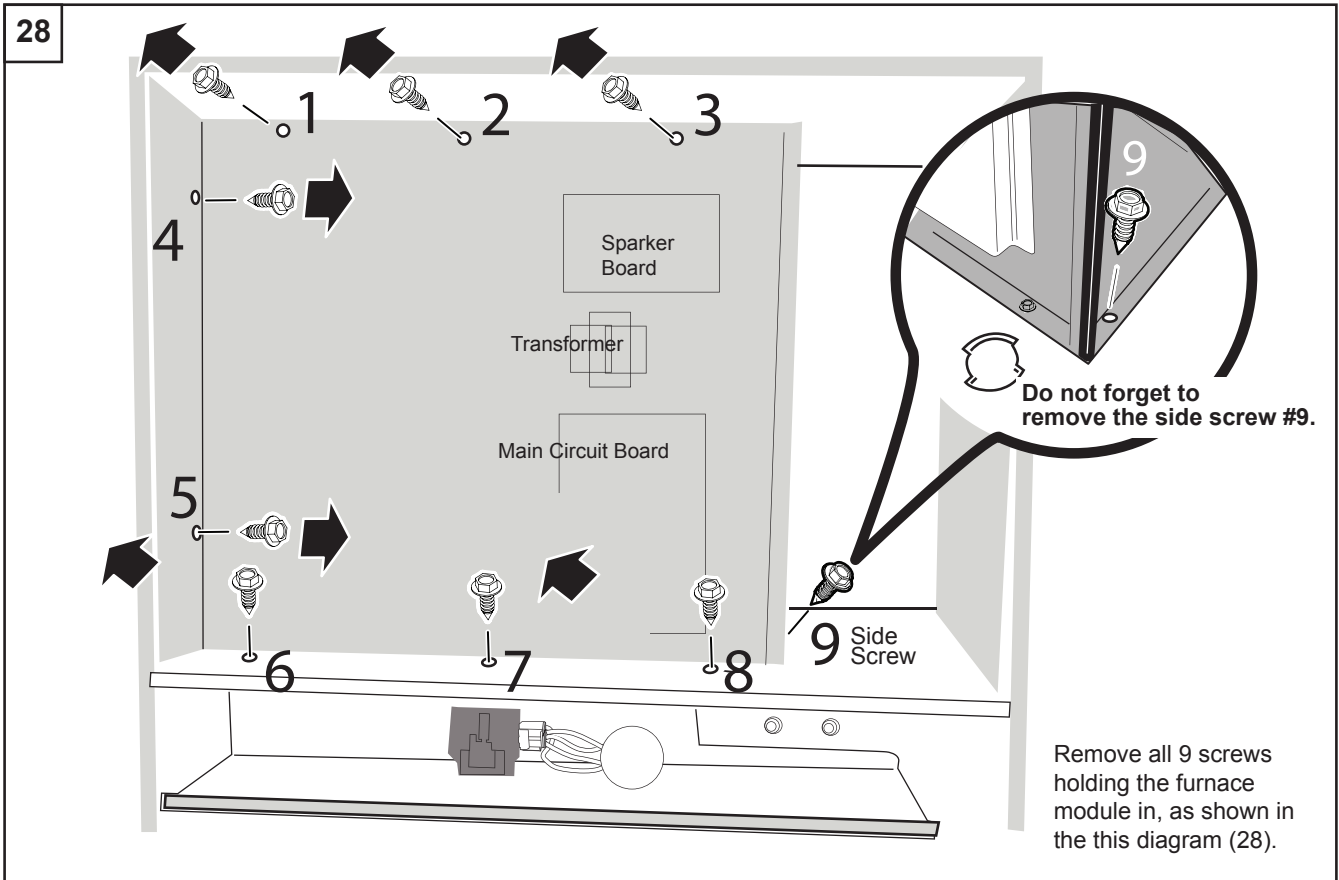
Disconnect the main Molex connector **C**.

**26**

Gas Shutt OFF valve  
Union  
T-Connector  
90-Connector  
Drip Cap  
6" Piping 1/2" Nipple supplied  
Condo Pack

**27**

1. Turn gas OFF.
2. Disconnect Union connector.
3. Remove gas piping downflow from Union connector.
4. Remove 90 connector from 6" nipple (supplied on GAS module).
5. Disconnect drain trap hoses.
6. Disconnect a thermostat.
7. Slide the Heating Module out.



#### 4.17.5 Low Voltage Wiring

The thermostat and control wiring should be a minimum of 18 AWG copper. Excessive lengths of wire may result in enough voltage drop to impair the proper functioning of the furnace. For thermostat wires in excess of 25 feet (7.6m), use 16 AWG; 50 feet (15.2m), use 14 AWG.

---

H53.1

#### 4.17.6 Thermostat

The thermostat should be located approximately 5 feet (1524mm) above the floor, on an inside wall where there is good natural air circulation, and where the thermostat will be exposed to average room temperatures. Avoid locations where the thermostat will be exposed to cold drafts, heat from nearby lamps or appliances, exposure to sunlight, heat from inside wall stacks, etc.

---

H53.2

#### 4.17.7 Blower

The unit contains a direct-drive, multi-speed blower. The proper speeds have been preset at the factory for heating and cooling. For recommended heating/cooling speeds for specific models refer to Table 4. in "5.4.1 Temperature Rise Check (In Heating Mode)" section. Direct-drive blower motors are permanently lubricated and do not require oiling.

#### 4.17.8 Limit Control

A fixed temperature limit control is provided which will shut off the gas to the main burners if the unit is overheated for any reason. The control must not be adjusted or relocated.

#### 4.17.9 Installation and Operation in Extremely Cold Weather Areas

In areas where extremely cold (below 20°F) outdoor temperatures can be expected, some additional installation and operating precautions should be taken. The following precautions are taken to prevent possible vent system ice blockage that could result in safety shutdown of the burners:

1. Adjust to the highest achievable temperature rise within the rise and static pressure ranges specified on the rating plate. Depending on specific model, it may be possible to change to a lower heating blower speed tap to get a higher temperature rise.
2. Make sure there are no leaks of outside air into the return air system.
3. Keep the outside louver grille as free as possible of any ice that may form and obstruct the flue outlet.

## 5. STARTUP AND SHUTDOWN

The Condo Pack is designed to be used with residential single-stage cooling and single-stage heating wall thermostats with automatic or manual mode changeover. Automatic changeover thermostats must include a deadband to prevent cycling between cooling and heating modes. Single-pole, single-throw thermostats are not suitable for use with Condo Pack. The unit incorporates a 90-second time delay to keep the indoor blower operating after cooling is satisfied to reduce operating costs. Indoor blower motor speed for cooling and heating modes can be altered by changing the motor speed taps on the Endura Pro Motor harness.

### 5.1 FURNACE STARTUP

This furnace is equipped with a spark ignition (SI) device. Each time that the room thermostat calls for heat, the SI lights the main burners directly. See the lighting instructions on the furnace.

When the gas supply is initially connected to the furnace, the gas piping may be full of air. In order to purge this air, the installer must use purging equipment and techniques as listed in National and Local Gas codes. Allow five minutes for any gas to dissipate before continuing with the start-up procedure. Be sure proper ventilation is available.

During initial start-up, it is not unusual for odor to come out of any room register. To ensure proper ventilation, it is recommended to open windows and doors, before initial firing.

The furnace has a negative pressure switch that is a safety during a call for heat. The induced draft blower must pull a negative pressure on the heat exchanger to close the negative pressure switch. The induced draft blower must maintain at least the negative pressure switch set point for the furnace to operate. If the induced draft blower fails to close or maintain the closing of the negative pressure switch, a “no heat call” would result.

#### NOTE

It is required/mandatory that the drain trap assembly be primed before the initial startup. Refer to the instructions on how to prime the condensate trap on the drain piping section in this manual. A dry trap will allow air to be drawn through the recovery coil drain, which will prevent the condensate from draining from the recovery coil. If enough condensate accumulates in the recovery coil, the recovery coil pressure switch will sense this condition and break its electrical contacts, and extinguish combustion. If this takes place, the induced blower will stop after a brief post-purge cycle, the condensate will drain out and fill the trap. If the thermostat is still calling for heat, the ignition sequence will start again after a 5 minute wait.

#### ⚠ WARNING ⚠

**FAILURE TO SEAL DRAIN T-FITTINGS WITH CAPS WILL CAUSE A CARBON MONOXIDE HAZARD!**

H21.0.1

1. Shut off the electrical power to the unit and set the room thermostat to its lowest setting.
2. Turn the thermostat to **HEAT** mode.
3. Remove the burner compartment access door.

#### ⚠ IMPORTANT ⚠

**ENSURE THAT THE MANUAL GAS VALVE SWITCH HAS BEEN IN THE “OFF” POSITION FOR AT LEAST 5 MIN. DO NOT ATTEMPT TO MANUALLY LIGHT THE MAIN BURNERS.**

4. Turn the gas valve switch to the “**ON**” position.
5. Replace the burner compartment access door.
6. Turn on furnace appliance shut off valve.
7. Restore electrical power to the furnace.
8. Set the room thermostat to a point above room temperature to light the furnace.
9. After the burners are lit, set the room thermostat to the desired temperature.

## 5.2 FURNACE SHUTDOWN

1. Set the room thermostat to below set point.
2. Remove the burner compartment access door.
3. Turn the gas valve switch to the “OFF” position.
4. The furnace appliance shut-off valve may be closed if desired.
5. Power to the furnace must remain ON for the air conditioner to work.

### ⚠ IMPORTANT ⚠

IF YOU INTEND TO BE AWAY FROM HOME FOR LENGTHY PERIODS OF TIME DURING THE NON-HEATING SEASON, IT IS ADVISABLE TO FOLLOW THE FURNACE SHUT DOWN PROCEDURE.

### ⚠ WARNING ⚠

SHOULD OVERHEATING OCCUR OR THE GAS BURNERS FAIL TO SHUT OFF, CLOSE THE MANUAL GAS VALVE FOR THE FURNACE BEFORE SHUTTING OFF THE ELECTRICAL POWER TO THE FURNACE. FAILURE TO DO SO CAN CAUSE AN EXPLOSION OR FIRE RESULTING IN PROPERTY DAMAGE, PERSONAL INJURY OR LOSS OF LIFE.

BEFORE RESTARTING THE FURNACE,  
CHECK ALL PLASTIC VENTS AND WIRES FOR DAMAGE.

H3.24.1

## 5.3 AIR CONDITIONING STARTUP

### NOTE

While operating, the AC Module will remove humidity from the air. This humidity will condense on the evaporator coil and eventually fall in the drain-pan below the coil. There is a rubber hose (“P -Trap”) that takes the water collected to the building service drain. Before initial operation and/or at the beginning of each cooling season, it is important that this P-trap is primed. If the P-trap dries out, air can be drawn back up the hose pulling condensate off the coil, getting the air filter and other components wet. On how to prime the condensate trap, refer to the instructions “4.9 Condensate Drain Connection”.

1. Turn the Thermostat to **COOL** mode.
2. Set the room thermostat to below the current temperature to turn on AC.
3. Wait for the fan and compressor to turn on and run the unit for at least 10 minutes.
4. Power to the air conditioner must remain on for the furnace to work.

### ⚠ WARNING ⚠

AIR CONDITIONER MUST NOT BE OPERATED WHEN OUTDOOR TEMPERATURE  
IS BELOW 55°F (13 °C).

## 5.4 AIR FLOW

For proper furnace operation, air flow over the heat exchanger is of utmost importance. Insufficient airflow accelerates metal fatigue and possible failure in the heat exchanger, as well as decreased efficiency. Excessive airflow promotes accelerated corrosion of the heat exchanger.

**IMPORTANT:**  
DO NOT BYPASS THIS STEP OF THE  
START UP PROCEDURES.

H22.0

### 5.4.1 Temperature Rise Check (In Heating Mode)

When the duct system is complete and the air filter or filters are in place, determine if the airflow is correct.

1. Insert a duct thermometer in the supply air duct. The thermometer should be placed as close as practical to the furnace, but out of the "line of sight" of the heat exchanger (this prevents false readings owing to radiant heat). Ensure that the thermometer location is within the duct air stream. Avoid locations such as the inside radius of an elbow, etc.
2. Insert a duct thermometer in the return air duct as close to the furnace as practical. Ensure that the thermometer location will be unaffected by humidifier bypass ducts, etc. Choose a location well within the main air stream.
3. Operate the furnace long enough to obtain steady state conditions at the input listed on the furnace rating plate.
4. When the two thermometers have stabilized, usually within 5-8 minutes, compare the two readings. Subtract the return air temperature from the supply air temperature. The difference is the temperature rise, also called  $\Delta T$ .
5. Compare the measured  $\Delta T$  to the temperature rise range shown on the rating plate.
6. Unless stated differently on the rating plate, the temperature rise should normally range between 35° to 65°F (20° to 36°C). When adjusting the temperature rise, the ideal temperature rise is approximately 50°F (28°C).
7. If the measured  $\Delta T$  is above the approved temperature range, there is too little air flow. It must be increased by removing restrictions in the ductwork, adding supply or return ductwork, or by selecting a higher motor speed.

\*\*\* If the measured  $\Delta T$  is too low, there is too much air flow.

TABLE 4.

----- CFM AT EXTERNAL STATIC PRESSURE, INCHES WATER COLUMN --								
MODEL	HEATING	SETTING	Speed Tap#	0.1"	0.2"	0.3"	0.4"	0.5"
C15A	15 kBTU/h	Factory	5	440	390	330	295	240
		High	4	570	530	495	470	415
C30A	30 kBTU/h	Factory	4	570	530	495	470	415
		High	3	770	745	730	705	695
C40A	40 kBTU/h	Factory	3	770	745	730	705	695
		High	2	925	910	885	870	840
C50A	50 kBTU/h	Factory	2	925	910	885	870	840
		High	N/A	N/A	N/A	N/A	N/A	N/A
MODEL	COOLING	SETTING						
A12A	1.0 ton	Factory	5	440	390	330	295	240
		High	4	570	530	495	470	415
A18A	1.5 ton	Factory	1	645	600	560	530	470
		High	3	770	745	730	705	695



### 5.4.2 Calculating Air Flow / Capacity Check

There are circumstances where it may be desirable to know the air flow delivery through the duct system, such as when estimating the amount of air flow available for air conditioning. This can be done by direct measurement with electronic or sloped manometers and velometers, or use the formula in the next column.

**IMPORTANT:** Make sure to install all the doors/access panels on the equipment prior to measuring Delta T.

$$\text{CFM} = \frac{\text{Output}}{1.085 \times \Delta T}$$

where:

- CFM is airflow in cubic feet per minute;
- $\Delta T$  is the temperature rise; and
- Output is the furnace output capacity from the rating plate.

---

H22.2.4

### 5.4.3 Adjustments – Cooling

No adjustments are required or should be attempted regarding any of the components of the cooling chassis. The chassis should be checked to see that none of the wiring is loose or missing. Cooling chassis is charged with R410A refrigerant.

## 6. MAINTENANCE

### 6.1 GENERAL SAFETY RULES

1. Combustible materials should not be stored against or around the unit. Keep the unit area clear and free from all combustible materials such as newspapers, rags, cardboard, foam, plastic, paper backed fiberglass insulation, clothing, etc. This applies especially to gasoline and other flammable vapors and liquids.
2. This unit is ETL certified as a Category III indirect or direct vent appliance. It is designed to operate as a two pipe (outdoor combustion air) system. The unit needs adequate amounts of combustion air to operate properly. Do not block or obstruct the air-intake terminal on the unit, or air openings supplying combustion air to the area where the unit is installed.
3. All doors and panels must be in place during normal unit operation. Attempting to operate the unit with missing doors or panels could lead to the creation of carbon monoxide gas.
4. If the unit is installed in a confined space or if you intend to build a unit room where insulation is present, be aware that some insulating materials are combustible. Do not allow building insulating materials to come into contact with the unit.
5. Any additions, alterations or conversions required in order for the unit to properly match the application requirements must be done by a qualified installation contractor, service agency or gas supplier, using factory specified or approved parts.
6. Familiarize yourself with the location of the gas manual shut-off valve and any electrical switch, fuse or circuit breaker associated with the unit.
7. Do not allow snow, ice or debris to accumulate around the exhaust or combustion air intake terminals. Blockage of either of these terminals can result in inadequate performance or nuisance shut-downs.
8. Familiarize yourself with the location of your unit filter. A blocked air filter will reduce efficiency, increase fuel consumption, raise the unit operating temperature, and shorten the life of unit components.
9. Do not cover return air grills and supply air registers with drapes, curtains, throw rugs, etc.
10. Avoid shutting off supply air registers in the interests of saving heat. While there is some validity to this practice with space heating, there is little to be gained in central heating systems. The unit requires a quantity of air passing over the heat exchanger to operate within design temperatures. Reducing the number of supply air registers available for air delivery may have the unforeseen consequence of raising the unit operating temperature, reducing unit efficiency, and shortening the life of the unit components.

### **⚠ WARNING ⚠**

**DISCONNECT THE ELECTRICAL POWER SUPPLY TO THE FURNACE BEFORE ATTEMPTING ANY MAINTENANCE. FAILURE TO DO SO CAN CAUSE ELECTRICAL SHOCK RESULTING IN PERSONAL INJURY OR LOSS OF LIFE.**

### **⚠ CAUTION ⚠**

**LABEL ALL WIRES PRIOR TO DISCONNECTION WHEN SERVICING CONTROLS. WIRING ERRORS CAN CAUSE IMPROPER AND DANGEROUS OPERATION. ALWAYS VERIFY PROPER OPERATION AFTER SERVICING.**

H3.25

## 6.2 COOLING CHASSIS

The cooling chassis contains all items related to the cooling functions of the unit, and also contains the indoor blower motor used during heating and cooling functions. For extensive servicing, qualified personnel may choose to remove the cooling chassis from the unit and take it to a work area.

Dirt and debris accumulating on the outdoor condenser coil will block the airflow across the coil, impeding cooling and heating, making it less efficient and more costly.

### ⚠ IMPORTANT ⚠

**CARE MUST BE TAKEN NOT TO DAMAGE THE ALUMINUM FINS OF THE COIL.**

The HVAC Service Technician can clean the condenser coil by carefully vacuuming from the outside face of the coil. If necessary and possible, inside face of the coil should also be vacuumed carefully. The indoor blower motor and the outdoor fan motor have permanently lubricated bearings and do not require routine service. The refrigeration system is sealed and factory charged with Refrigerant R-410A so that routine maintenance is not required. Cleaning of the outdoor coil, indoor coil, drain pan, and inside the bottom of the chassis are recommended at least once a year, and more often if the equipment is operated in a dusty or hostile environment. The electrical controls do not require routine service.

Power to the unit should always be turned OFF before performing service or removing the cooling or furnace module from the unit. One power connector and one control circuit connector are provided for easy disconnecting and re-connecting of the wires between the cooling chassis and cabinet. The front furnace panel door must be removed to allow access to the wiring harnesses. After reinstalling the cooling chassis, both panel doors must be reinstalled. Refer to: "4.17.4.1 Air Conditioner Module Removal" section of this manual.

## 6.3 AIR FILTER

All indoor return air must be filtered. A permanent-type filter is pre-installed with the unit. It is located on the air conditioning module. The provided air filter is a natural fiber washable and should be inspected frequently and cleaned or replaced as necessary.

### ⚠ CAUTION ⚠

**DO NOT OPERATE THIS EQUIPMENT WITHOUT AN AIR FILTER.**

A portion of the dust entrained in the air may temporarily lodge in the air duct runs and the supply registers. Any recirculated dust particles will be heated and charred by coming into contact with the heat exchanger. This residue will soil ceilings, walls, drapes, carpets, furniture, and other household articles.

### ⚠ WARNING ⚠

**DISCONNECT THE ELECTRICAL POWER SUPPLY TO THE UNIT BEFORE ATTEMPTING ANY MAINTENANCE. FAILURE TO DO SO CAN CAUSE ELECTRICAL SHOCK RESULTING IN PERSONAL INJURY OR LOSS OF LIFE.**

### ⚠ CAUTION ⚠

**BE SURE THAT THE FILTER IS RE-INSTALLED WITH THE AIRFLOW DIRECTION IDENTICAL TO ITS PREVIOUS USE. REVERSING THE FILTER WILL CAUSE DUST TRAPPED WITHIN THE FILTER TO BREAK FREE AND RECIRCULATE WITHIN THE DUCT SYSTEM. CONSULT YOUR INSTALLATION CONTRACTOR OR SERVICE TECHNICIAN IF YOU HAVE ANY QUESTIONS ON INSTRUCTIONS FOR REMOVING/REINSTALLING THE AIR FILTER.**

## 6.4 LUBRICATION

H27.1\_AC

Both the exhauster motor and circulating fan motor are sealed bearing type motors. No lubrication required.

### ⚠ IMPORTANT ⚠

**THE MOTOR BEARINGS WERE PRE-LUBRICATED BY THE MOTOR MANUFACTURER. DO NOT ATTEMPT TO LUBRICATE THEM. EXCESS LUBRICATION WILL VOID THE WARRANTY, SHORTEN THE SERVICE LIFE OF THE MOTORS, AND WILL ATTRACT THE BUILDUP OF DUST AND DIRT.**

## 6.5 GAS METER

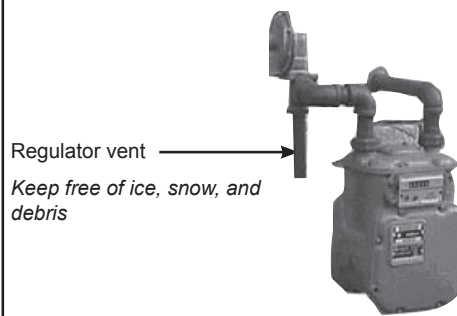
Most natural gas systems and all LP gas systems have a service regulator located near the point where the gas piping enters the building.

The propane tank will normally have an additional first stage regulator located at the tank outlet valve. All of these regulators (located outdoors) will have a vent. (Figure 2)

It is important for these vents to remain clear. Do not allow moisture, which could freeze, to build up in the vent. If you see moisture building up in the regulator vent, contact your gas supplier.

H25.0.2

FIG. 2 - GAS REGULATOR VENT



### ⚠ WARNING ⚠

**OBSTRUCTION OF THE AIR VENT ON AN LP (PROPANE) CYLINDER OR TANK REGULATOR CAN CAUSE EXPLOSION OR FIRE RESULTING IN PROPERTY DAMAGE, SEVERE PERSONAL INJURY OR DEATH.**

**YOUR GAS SUPPLIER SHOULD PERIODICALLY INSPECT AND CLEAN THE AIR VENT SCREEN TO PREVENT ANY OBSTRUCTION. KEEP PROTECTIVE REGULATOR COVER IN PLACE, AS EXPOSURE TO THE ELEMENTS CAN CAUSE ICE BUILDUP AND REGULATOR FAILURE.**

H3.29\_AC GSI

## 6.6 ROUTINE MAINTENANCE

### QUARTERLY:

- We recommend a monthly filter inspection at first, then every three months afterwards.

### YEARLY:

- Priming Trap needs to be inspected at every starting season. Add more water if necessary.
- Check that barbed fitting caps are tight and condensate lines remain clean and secured by hose clamps.

### ⚠ IMPORTANT ⚠

**WE RECOMMEND THAT YOUR UNIT AND EXHAUST/COMBUSTION AIR VENTS BE CHECKED BY A QUALIFIED SERVICE TECHNICIAN ONCE A YEAR.**

It is good practice to give a quick inspection of your unit each time you inspect or clean the air filter.

### Things to check:

- Check the unit for obvious signs of deterioration.
- Check the venting and combustion air piping to ensure that it is still fastened to the unit. It should not sag, and should have a 1/4" (6 mm) per foot (305 mm) slope upwards, to the outside wall or termination.
- There should be no water marks on the floor under the venting. Water marks may indicate a leaking pipe joint.
- All ductwork should be secured to the unit, and all ductwork should be solidly supported throughout.
- Water should flow easily through the condensate drain lines. You may be able to observe this while the unit is operating if your condensate drain line from the drain trap assembly terminates at a floor drain. If the drain lines are opaque, your service technician will check them during the annual servicing.
- The gas burner should be observed from time to time during the heating season to ensure that the flames are clean and blue. A bit of orange color in the flame is not likely to be a problem and is probably dust particles burning. If you observe lazy yellow flames, call your heating or service contractor immediately. The yellow flames inevitably lead to soot-ups.
- The combustion air and exhaust terminals should be inspected occasionally to ensure that they are free of obstructions and debris.

H27.3.1\_AC



## 7.2 AIR CONDITIONING TROUBLESHOOTING

TABLE 6.

AIR CONDITIONER TROUBLESHOOTING GUIDE		
WARNING!	THIS TROUBLESHOOTING GUIDE IS INTENDED FOR USE BY QUALIFIED SERVICE PERSONNEL ONLY!	
FAULT CONDITION	POSSIBLE CAUSE	CORRECTION
<b>Unit will not operate</b>	Power disconnected or loose connection.	Check power supply to unit. Check voltage at contactor.
	Blown fuse / breaker tripped.	Replace fuses/reset breaker.
	Thermostat out of calibration is set too high.	Reset.
	Contactor defective.	Check for 24VAC at contactor coil -replace if open.
	Transformer defective	Check wiring – replace transformer.
	High pressure control open (if provided).	Reset – see high pressure connection ((high pressure control opens at 600 psig).
<b>Outdoor fan on; Compressor off</b>	Run or start capacitor defective.	Replace.
	Start relay defective.	Replace.
	Loose wire.	Check for correct voltage at compressor – check and tighten all connections.
	Compressor stuck, grounded or open motor winding, open internal overload.	Wait at least 2 hours for overload to reset; if still open, replace the compressor.
<b>Too little cooling</b>	Low voltage condition.	Add start kit components.
	Improperly sized unit.	Recalculate load.
	Improper indoor airflow.	Check-should be approximately 400 CFM per ton.
	Incorrect refrigerant charge.	Charge per procedure in installation manual.
	Air, non-condensables or moisture in system.	Recover refrigerant.
<b>Compressor operates in short cycles</b>	Incorrect voltage.	At compressor terminals, voltage must be +/- 10% of nameplate marking when unit is operating.
	Defective overload protector.	Replace – check for correct voltage.
	Refrigerant undercharge.	Add refrigerant.
<b>High head pressure; Low suction pressure</b>	Restriction in liquid line, expansion device or filter drier.	Remove or replace defective component.
	Lack of sufficient indoor airflow.	Clean/check filters, registers, or evaporator coil that may cause a restriction.
<b>High head pressure; Normal suction pressure</b>	Dirty outdoor coil.	Clean coil.
	Refrigerant overcharge.	Correct system charge.
	Outdoor fan not running.	Repair or replace.
	Air or non-condensables in system.	Recover refrigerant, evacuate and recharge.



TABLE 6. CONT.

<b>WARNING!</b>	<b>THIS TROUBLESHOOTING GUIDE IS INTENDED FOR USE BY QUALIFIED SERVICE PERSONNEL ONLY!</b>	
<b>FAULT CONDITION</b>	<b>POSSIBLE CAUSE</b>	<b>CORRECTION</b>
<b>Low head pressure; High suction pressure</b>	Expansion device stuck in open position.	Replace expansion device.
	Defective compressor valves.	Replace compressor.
<b>Low suction pressure; Compressor cool; Ice on indoor coil</b>	Low indoor airflow.	Increase speed of blower or reduce restriction – replace air filter.
	Operating below 65 °F (18 °C) outdoors.	Add low ambient kit.
	Moisture in system.	Recover refrigerant – evacuate and recharge – replace filter drier.
<b>High suction pressure; or fluctuating head and suction pressures</b>	Excessive load.	Recheck load calculation.
	Defective compressor.	Replace.
	TXV hunting.	Check TXV bulb clamp – check air distribution on coil – replace TXV.
	Air or non-condensables in system.	Recover refrigerant, evacuate and recharge.
<b>Pulsing noise at expansion device or liquid line</b>	Air or non-condensables in system.	Recover refrigerant, evacuate and recharge.
<b>Registers sweat</b>	Low indoor airflow.	Increase speed of blower or reduce restriction – replace air filter.

### 7.3 ADJUSTING SYSTEM CHARGE

Units come from the factory charged with the correct amount of refrigerant. There are times, however, when the charge may need to be adjusted. Refrigerant leaks and addition of system components for servicing or monitoring, for example, will require that the refrigerant charge be adjusted for the unit to function as intended. Note that only qualified HVAC technicians shall adjust the charge. In situation where charge adjustment is not possible, then it is recommended to reclaim the remaining charge from the system completely and recharge the system using the refrigerant amount listed in table below or according to the nameplate total charge.

#### 7.3.1 Procedure for Using Thermostatic Expansion Valves

**Procedure:**

1. Operate the unit at standard AHRI conditions as close as possible (80°F DB / 67°F WB Indoor, 82°F DB Outdoor).
2. Connect charging hose from liquid port on the refrigerant bottle to charging service port.
3. Open refrigerant bottle and purge hose at bottle fitting.
4. Temporarily install a temperature measuring device on the liquid line near the TXV and one at the suction line. Ensure that the temperature measuring device makes adequate contact and insulated for accurate readings.
5. Operate the system for at least 10 minutes.
6. Check sub-cooling and superheat. Systems using thermostatic expansion valves should have a sub-cooling as per table below:

AC Module Model #	Factory Charge	OD Air Temp. DB °F	ID Air Temp. DB °F	High Pressure PSIG	Low pressure PSIG	Sub-cooling °F	Superheat °F
A18A	33 OZ	95	80	392	153	7	5

TABLE 7.

- i. If sub-cooling is low and superheat is high or normal, add charge to obtain the required sub-cooling.
- ii. If sub-cooling is high or normal and superheat is low, remove charge to lower the required sub-cooling.

### 7.3.2 Procedure for Using Fixed Orifice

#### Procedure:

1. Follow the steps 1-2 from the previous section “*Procedure for using Thermostatic Expansion Valves*”.
2. Install a temperature measuring device on the liquid line near the orifice and one at the suction line. Ensure that the temperature measuring device makes adequate contact and is insulated for accurate readings.
3. Operate the system for 10 minutes.
4. Check sub-cooling and super heat as per table below:

AC Module Model #	Factory Charge	OD Air Temp. DB °F	ID Air Temp. DB °F	High Pressure PSIG	Low pressure PSIG	Sub-cooling °F	Superheat °F
A12A	31 OZ	95	80	374	149	8	17

TABLE 8.

5. If sub-cooling and superheat is abnormal, reclaim refrigerant charge completely from the system and recharge amount according to nameplate factory charge.

### 7.4 DIAGNOSTIC CODES FOR STATUS LED

A 3 colour LED is provided to indicate system faults. LED codes are as follows:

- LED Off - No power to control, push button switch pressed, or control fault
- LED Steady On (any colour) - Control hardware fault detected
- Slow Green Flash - No call for heat, no active errors
- Slow Orange Flash - Call for heat present, no active errors
- Rapid flash - Incorrect 24VAC phasing/twinning errors

TABLE 9.

STATUS LED	FAULT CONDITION
<b>Red LED indicates following codes:</b>	
LED OFF	No power to control or control hardware fault detected
LED ON	Normal operation
1 Flash	High limit switch open
2 Flashes	Pressure switch open with inducer on
3 Flashes	Pressure switch closed with inducer off
4 Flashes	Lockout due to too many failed ignition attempts (1 hour lockout)
5 Flashes	L1/Neutral Polarity problem
6 Flashes	Too many limit trips within one call for heat
7 Flashes	Pressure switch cycle lockout
8 Flashes	Lockout due to too many flame dropouts
9 Flashes	Not used
10 Flashes	Flame present with gas valve off

### 7.5 FAULT CODE HISTORY

The control stores the last 5 fault codes in memory. When the push button switch is pressed, the control will flash the stored fault codes when the switch is released. The most recent fault code is flashed first, the oldest last.

Fault history may be cleared by holding the push button switch for more than 5 seconds.

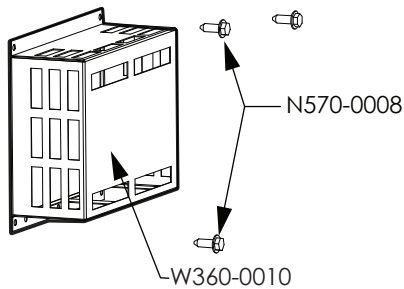
## 7.6 HIGH WIND DIFFUSER INSTALLATION

### NOTE

NOT SUPPLIED WITH THE UNIT.

IOM

This High Wind Diffuser Kit is for Wolf Steel Condo Pack PSC and P-C Series, containing the Condensing Gas Heat Modules. Ensure all parts are in the kit before proceeding. **Do not proceed if parts are missing.**



### PROCEDURE

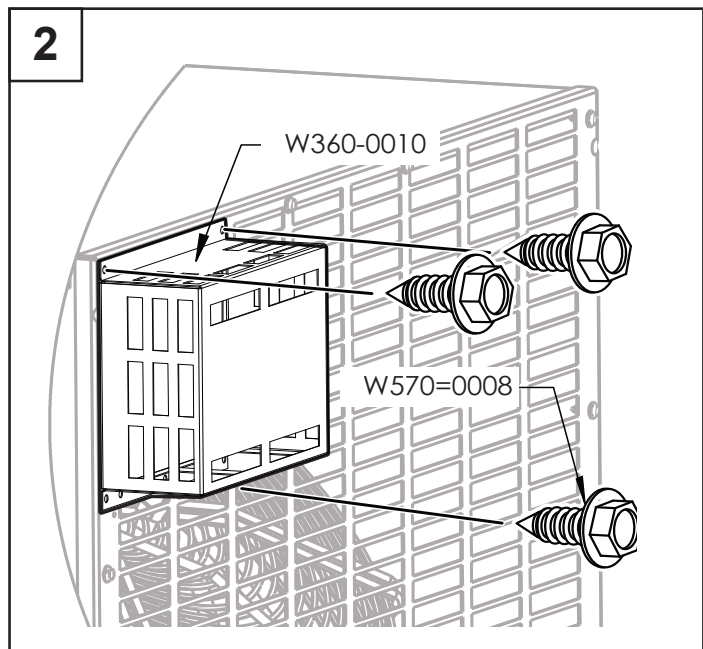
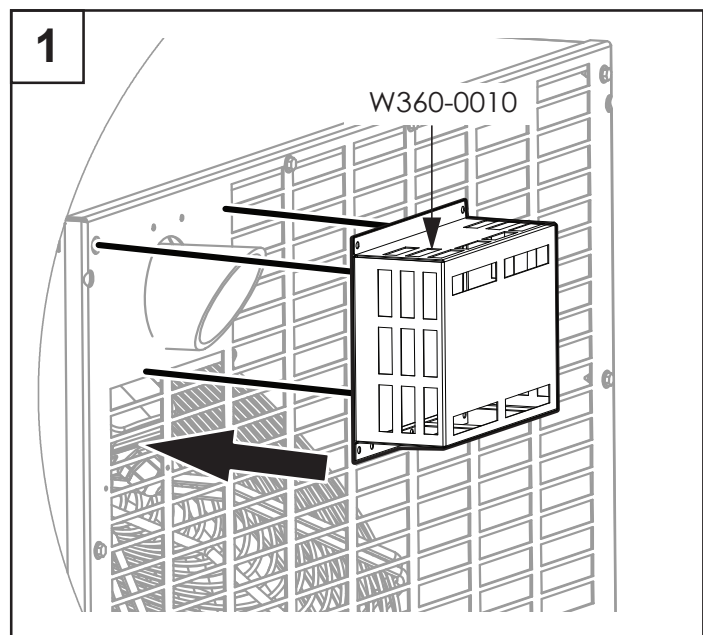
(Please read entire instructions first.)

1. Align High Wind Diffuser (W360-0010\*) in the correct orientation to the Condo Pack as shown in Fig 1.
2. Secure the Diffuser using Screws (N570-0008) (x3) provided, as shown in Fig 2.
3. The Wind Diffuser should be secured flush and straight to the grill face.

(\*For more information about alternate design options please contact Customer Solutions).

### KIT CONTAINS :

QTY	DESCRIPTION	PART #
1	ASSY, HIGH WIND DIFFUSER	W360-0010
4	SCREW, #8 X 1/2 HEX HD TEK STN (3 REQUIRED, 1 EXTRA PROVIDED)	N570-0008



## 8. CONDENSING GAS CONDO PACK REPLACEMENT PARTS

Contact your dealer or the factory for questions concerning prices and policies on replacement parts. Normally all parts can be ordered through your Authorized dealer / distributor.

**FOR WARRANTY REPLACEMENT PARTS, A PHOTOCOPY OF THE ORIGINAL INVOICE WILL BE REQUIRED TO HONOUR THE CLAIM.**

When ordering replacement parts always give the following information:

- Model & Serial Number of appliance
- Installation date of appliance
- Part number
- Description of part
- Finish

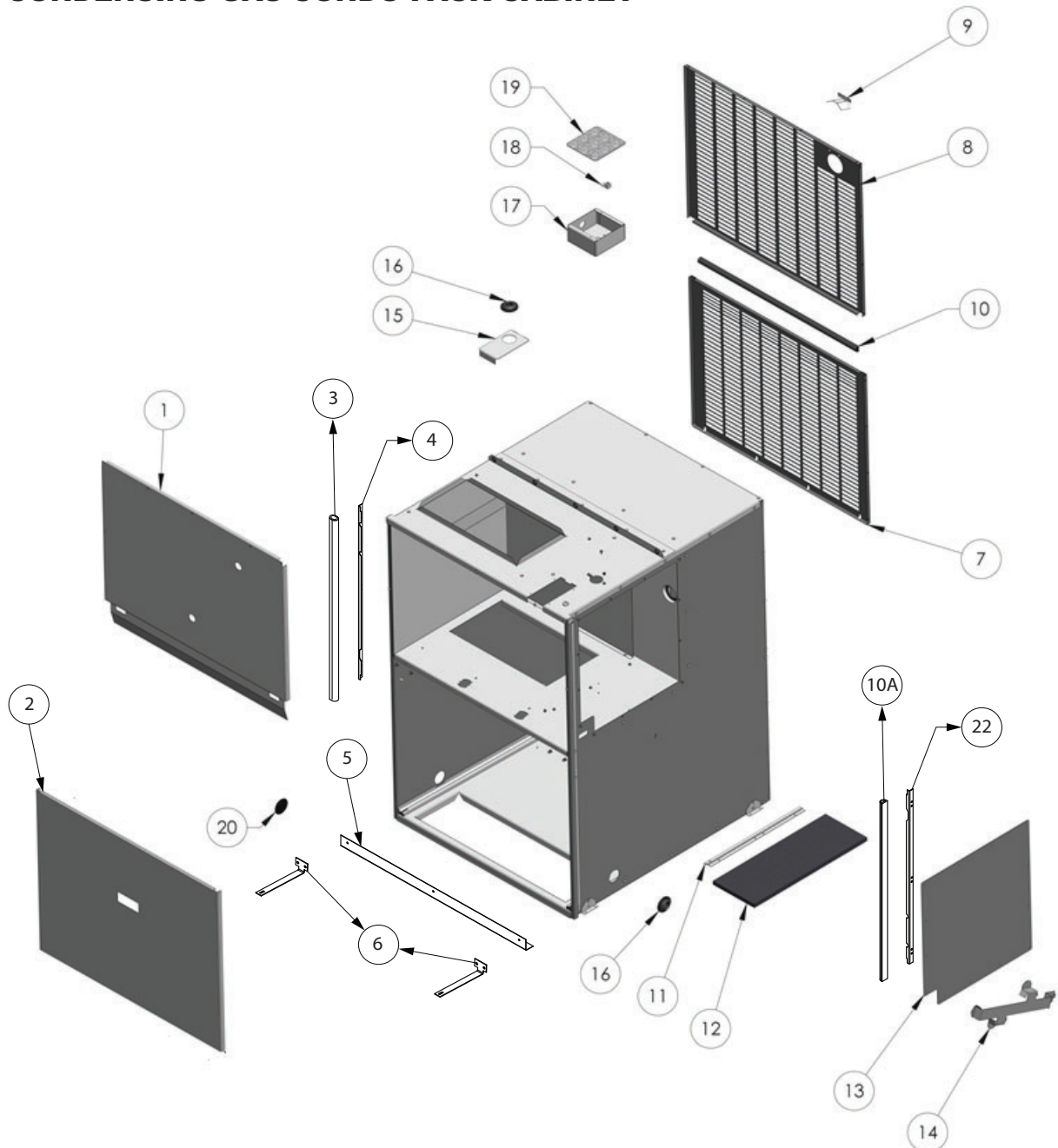
**FOR FURTHER INFORMATION, CONTACT YOUR AUTHORIZED DEALER.**

### ⚠ WARNING

**FAILURE TO POSITION THE PARTS IN ACCORDANCE WITH THIS MANUAL OR FAILURE TO USE ONLY PARTS SPECIFICALLY APPROVED WITH THIS APPLIANCE MAY RESULT IN PROPERTY DAMAGE OR PERSONAL INJURY.**

H41.1

### 8.1 CONDENSING GAS CONDO PACK CABINET



## CONDENSING GAS CABINET PARTS LIST:

TABLE 10.

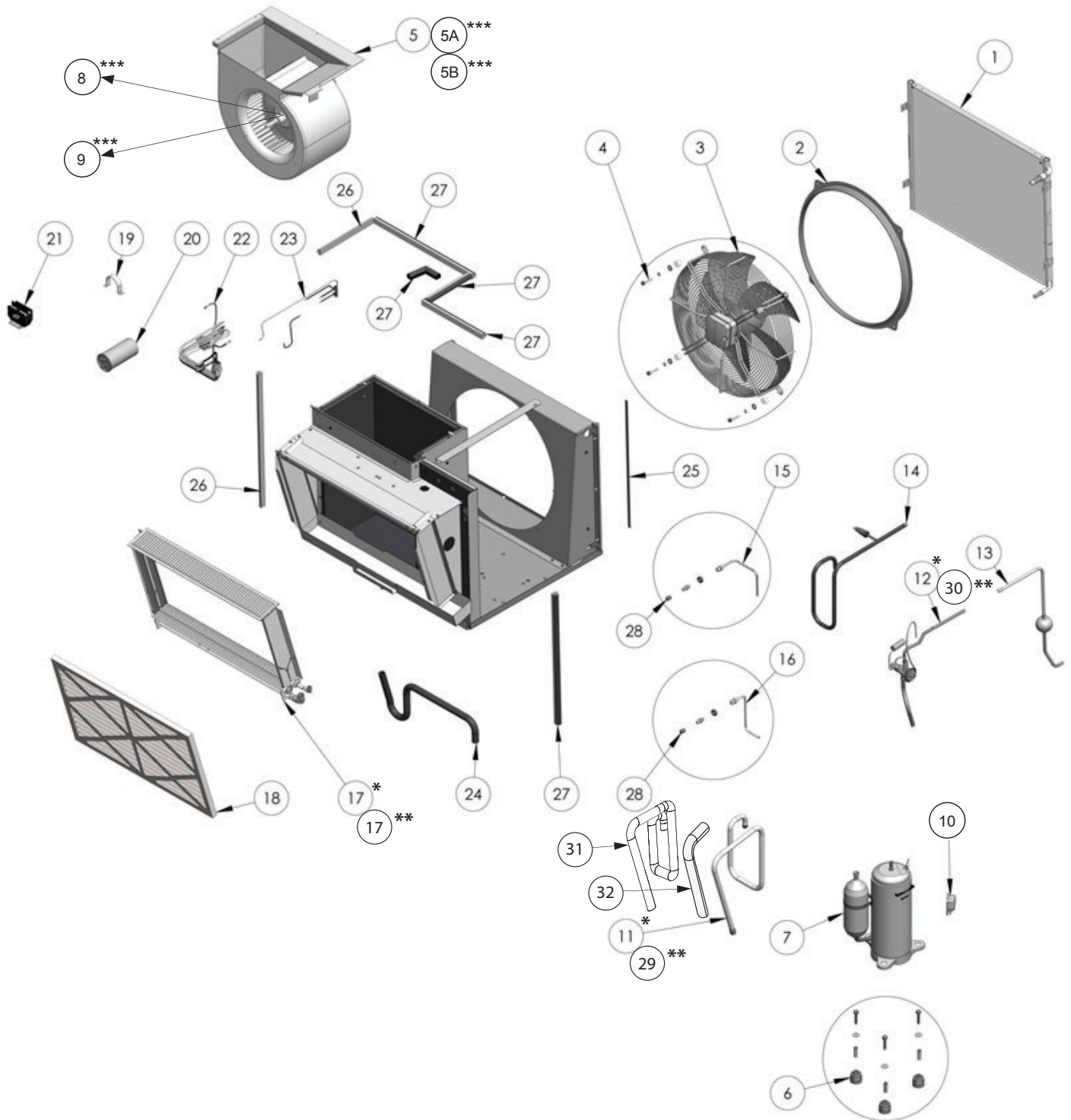
ITEM NO.	W010-4579	PART NUMBER	DESCRIPTION
	QTY		
1	1	W010-0001-SER**	TOP DOOR PARTS REPLACEMENT
2	1	W010-0002-SER**	BTM DOOR PARTS REPLACEMENT
3	1	W290-0276	GASKET, O-CHANNEL EPDM 3/4"X3/4" (ACHP) 23 1/8" LONG
4	2	W080-1941	BRACKET, D CHANNEL SUPPORT (CP) 22 3/8" LONG
5	1	W080-1928	BRACKET, SEAL FOR AC MODULE (CP)
6	2	W080-1940	BRACKET, STOP ANGLE (CP)
7	1	W305-0010*	GRILLE, LOWER
8	1	W305-0009*	GRILLE, UPPER
9	1	W525-0051	GUIDE, EXHAUST TUBE (CHAMUA)
10	1	W290-0256	GASKET, D-CHANNEL EPDM 3/4"X1/2" (ACHP) 25.25" LONG
10A	1	W290-0256	GASKET, D-CHANNEL EPDM 3/4"X1/2" (ACHP) 22" LONG
11	1	W525-0054	GUIDE, FURNACE LOWER
12	1	W290-0312	GASKET, FOIL FACED COMBUSTION DEPT BASE
13	1	W475-0947*	PANEL, FURNACE SIDE ACCESS
14	1	W080-1466*	BRACKET - CONDENSATE TUBE
15	1	W080-1387*	BRACKET, GAS PIPE
16	2	W315-0006	GROMMET 825
17	1	W350-0732	ELECTRICAL BOX HOUSING
18	1	W670-0525	GROUND LUG
19	1	W350-0738	ELECTRICAL BOX LID
20	1	W120-0067	CAP, 1-5/8" GAS INLET

NOTE: \* PART NUMBERS MUST INCLUDE COLOR CODE TP1SP (EG.W475-0945-TP1SP)  
 TAUPE=TP1SP

NOTE:\*\* CONTACT HVAC ENG.

IOM

**8.2 AIR CONDITIONING MODULE**



**NOTE**

For field replacement of the COREMAX CORE (#28, W450-0236 - *not supplied with the unit*) the following tool (SCFT20A) from Fastest Inc. needs to be used which also reduces the refrigerant loss during the process. Please note that the COREMAX CORE valve is not a standard schrader valve.





AIR CONDITIONING MODULE PARTS LIST:

TABLE 11.

ITEM NO.	A18A	A12A	PART NUMBER	DESCRIPTION
	QTY	QTY		
1	1	1	W770-0006	CONDO PACK CONDENSOR COIL
2	1	1	W540-0020	RING, VENTURI 18.25" I.D. ABS UV
3	-	1	W435-0081	CONDENSER FAN ASSY 1100 RPM
3****	1	-	W435-0091****	CONDENSER FAN ECM MOTOR ASSY 1/3HP (A18A/A24A)
4	4	4	W570-0142	SCREW, 1/4-20 X 1-1/4" LG
4	4	4	W735-0050	WASHER, 5/16 X 3/4" O.D.
4	4	4	W735-0015	WASHER, LOCK 1/4" EXT TOOTH
5	1	1	W062-0041	BLOWER, 10-6T HOUSING (GF)
5A***	-	1	W010-3786***	BLOWER HOUSING ASSY WITH 1/3HP X 13 MOTOR
5B***	1	-	W010-4627***	A18A BLOWER HOUSING ASSY WITH 1/3HP X 13 MOTOR
6	3	-	W315-0021	GROMMET, COMPRESSOR MOUNT
6	-	3	W315-0026	GROMMET, 1.0 TON COMPRESSOR MOUNT (CP)
6	3	3	W315-0022	GROMMET SPACER
6	3	3	W735-0051	WASHER, 3/8" X 7/8" O.D.
6	3	3	W065-0046	BOLT, 5/16 X 1-3/4" LG
7^	1	-	W172-0023^	COMPRESSOR, 1.5 TON
7A	1	-	W200-0678	COVER, COMPRESSOR WIRE TERM
7A	1	-	W450-0248	NUT, COMPRESSOR WIRE TERM
7A	1	-	W290-0365	GASKET, COMPRESSOR WIRE TERM
7^^	-	1	W172-0022^^	COMPRESSOR, 1.0 TON
7B	-	1	W200-0649	COVER, COMPRESSOR WIRE TERM
7B	-	1	W450-0247	NUT, COMPRESSOR WIRE TERM
7B	-	1	W290-0350	GASKET, COMPRESSOR WIRE TERM
8***	-	1	W010-3817***	PROGRAMMED INDOOR BLOWER MOTOR FOR A12A
9***	1	-	W010-4501***	PROGRAMMED INDOOR BLOWER MOTOR FOR A18A
10	1	1	W750-0328	WIRE, HARNESS, LG COMPRESSOR
11*	1	-	W490-0800*	PIPE 1/2" O.D. SUCTION
11*	-	1	W490-0799*	PIPE 1/2" O.D. SUCTION
12*	-	1	W010-4044*	LIQUID / EVAP PIPE ASSY #44 ORIFICE

NOTE : ^ MUST ORDER WITH 7A ACCESSORIES (NOT SHOWN)

NOTE : ^^ MUST ORDER WITH 7B ACCESSORIES (NOT SHOWN)

NOTE : \*\*\* IF 5A OR 5B IS ORDERED, CORRESPONDING PROGRAMED MOTOR 8 OR 9 WILL BE INCLUDED IN THE KIT. IF JUST PROGRAMED MOTORS ARE DESIRED, ORDER 8 OR 9 ONLY.

NOTE : \*\*\*\* FOR A18A CONNECT SPEED 1 ON CONDENSER FAN MOTOR W435-0091

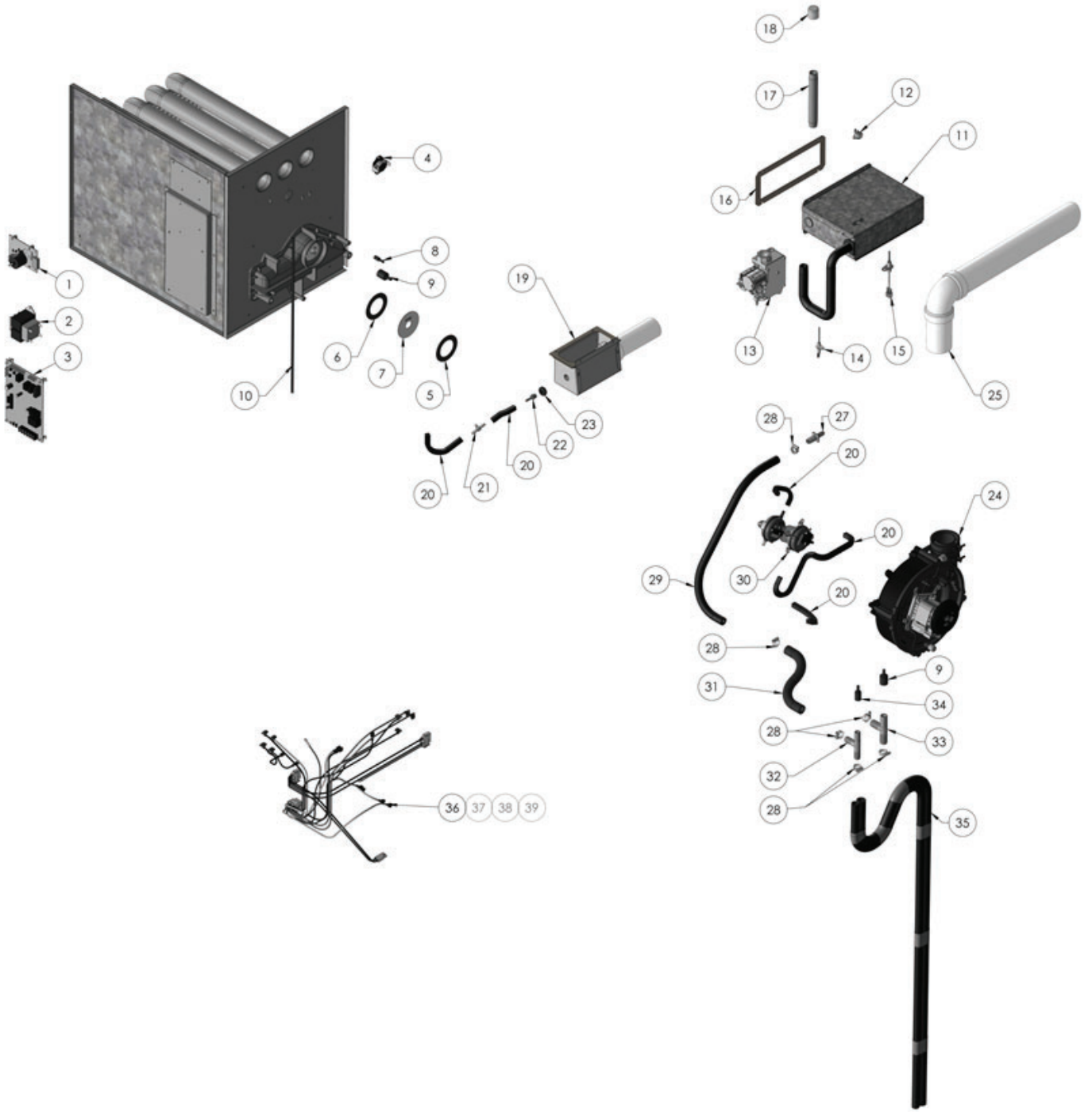
AIR CONDITIONING MODULE PARTS LIST:

TABLE 11. CONT.

ITEM NO.	A18A	A12A	PART NUMBER	DESCRIPTION
	QTY	QTY		
13	1	1	W010-4023	LIQUID LINE FILTER ASSY
14	-	1	W010-4028	DISCHARGE LINE PRESS. SWITCH ASSY
14	1	-	W010-4029	DISCHARGE LINE PRESS. SWITCH ASSY
15	1	1	W010-3336	SUCTION LINE PORT SERVICE
16	-	1	W010-4038	LIQUID LINE PORT SERVICE
16	1	-	W010-3337	LIQUID LINE PORT SERVICE
17*	1	1	W770-0005*	CONDO PACK EVAPORATOR COIL
17**	1	1	W770-0014**	CONDO PACK EVAPORATOR COIL
18	1	1	W250-0012	FILTER, FURNACE 16" x 25" X 1"
19	1	1	W640-0014	CAPACITOR STRAP
20	-	1	W435-0085	CAPACITOR, 40+5MFD 440V 50/60Hz
20	1	-	W435-0086	CAPACITOR, 45+5MFD 440V 50/60Hz
21	1	1	W670-0531	TERMINAL, A/C CONTACTOR 2 POLE
22	1	1	W750-0326	HARNESS - CONDO PACK X13 LOWER
23	1	1	W750-0348	HARNESS - CONDO PACK A/C AND POWER LOWER
24	1	1	W345-0018	HOSE, 5/8" ID AC CONDENSATE TRAP
25	1	1	W290-0170	GASKET, STRIP 3/8"X (4 FT )
26	1	1	W290-0256	GASKET, D-CHANNEL EPDM 3/4"X1/2" (ACHP) 25.25" LONG
27	1	1	W290-0256	GASKET, D-CHANNEL EPDM 3/4"X1/2" (ACHP) 22" LONG
28	2	2	W450-0236	NUT, COREMAX CORE (1/2-20 X 7/16-20)
28	2	2	W450-0237	NUT, 1/2-20 HEX S.STEEL
28	2	2	W120-0090	CAP, BRASS 1/4 WITH O-RING
29**	1	-	W490-0868**	PIPE 1/2" O.D. SUCTION
29**	-	1	W490-0864**	PIPE 1/2" O.D. SUCTION
30**	1	-	W010-4502**	LIQUID / EVAP TO TXV PIPE ASSY
30**	-	1	W010-4497**	LIQUID / EVAP PIPE ASSY #44 ORIFICE
31	1	1	W290-0271	GASKET,THERMAL INSUL, 1/2" SUCTION LINE, 60" LONG
32	1	1	W290-0271	GASKET,THERMAL INSUL, 1/2 " LIQUID LINE, 18" LONG

NOTE : \* FOR ITEM W770-0005\*, THE ITEMS 11\* AND 12\* ARE NEEDED  
 NOTE : \*\* FOR ITEM W770-0014\*\*, THE ITEMS 29\*\* AND 30\*\* ARE NEEDED

### 8.3 CONDENSING GAS HEATING MODULE



CONDENSING GAS HEATING MODULE PARTS LIST:

TABLE 12.

ITEM NO.	C50A	C40A	C30A	C15A	PART NUMBER	DESCRIPTION
	QTY	QTY	QTY	QTY		
1	1	1	1	1	W190-0071	CONTROL, DIRECT SPARK PONY BOARD
2	1	1	1	1	W707-0018	TRANSFORMER, 240/24V 40VA
3	1	1	1	1	W190-0042	X13 SS CONTROLLER BOARD
4	1	1	-	1	W660-0138	HEAT LIMIT 170 DEG.
4	-	-	1	-	W660-0135	HEAT LIMIT 160 DEG.
5	1	1	1	1	W290-0385	GASKET - CHOKE RED SILICONE SMOOTH (GF)
6	1	1	1	1	W290-0385	GASKET - CHOKE RED SILICONE SMOOTH (GF)
7	1	-	-	-	W356-0740	0.740" CHOKE PLATE
7	-	1	-	-	W356-0650	0.650" CHOKE PLATE
7	-	-	1	-	W356-0550	0.550" CHOKE PLATE
7	-	-	-	1	W356-0375	0.375" CHOKE PLATE
8	1	1	2	2	W120-0075	CAP - PRESSURE VENT (.24-.5) 811598 EZ TAB
9	3	3	3	3	W120-0076	CAP - DRAIN VENT (.5-.625) 385697 EZ TAB
10	1	1	1	1	W715-0887	TRIM - 402 STYLE STRIP 3FT LG.
11^	1	-	-	-	W100-0241^	ASSY, BURNER TRAY 50K
11^	-	1	-	-	W100-0238^	ASSY, BURNER TRAY 40K
11^	-	-	1	-	W100-0240^	ASSY, BURNER TRAY 30K
11^	-	-	-	1	W100-0239^/W100-0181^	ASSY, BURNER TRAY 15K
12	1	1	1	1	W010-2568	ROLL OUT SWITCH
13	1	1	1	1	W010-2614	GAS VALVE
14	1	1	1	1	W010-4599	FLAME SENSOR
15	1	1	1	1	W357-0012-SER	SPARK IGNITOR
16	1	-	-	-	W290-0262	GASKET - 3 BURNER
16*	-	-	-	1	W290-0261*	GASKET - 2 BURNER
16**	-	1	1	1	W290-0384**	GASKET , LARGE 2 BURNER
17	1	1	1	1	W490-0762	PIPE, 6"
18	1	1	1	1	W120-0086	CAP, THREADED PLASTIC BLACK .84D
19^^	1	1	1	1	W010-3790^^	DUCT, INTAKE BOX ASSEMBLY WITH PVC
20	1	1	1	1	W345-0011	PSI SQUARE TUBE .36X.36X 2FT
21	1	1	1	1	W255-0049	FITTING, T 3/16 TUBE
22	1	1	1	1	W255-0045	FITTING, 3/16" TUBE TO 1/8" NPT MALE
23	1	1	1	1	W315-0018	PUSH IN GROMMET 1/2" ID 1" OD
24	1	1	1	1	W062-0055	EXHAUSTER C-FRAME 220V
25	1	1	1	1	W010-3442	EXHAUST PIPE
27	1	1	1	1	W255-0030	1/2"-3/8" REDUCING COUPLING
28	6	6	6	6	W155-0016	CLAMP, GEAR

NOTE: ^ ITEM#11 INCLUDES ITEMS 12,13,14,15

NOTE: ^^ ITEM#19 INCLUDES ITEMS 22,23

NOTE: \* W290-0261 GASKET IS NEEDED FOR W100-0181 BURNER TRAY ASSEMBLY

NOTE: \*\* W290-0384 GASKET IS NEEDED FOR W100-0238, W100-0239 &amp; W100-0240 ASSEMBLIES

## CONDENSING GAS HEATING MODULE PARTS LIST:

TABLE 12. CONT.

ITEM NO.	C50A	C40A	C30A	C15A	PART NUMBER	DESCRIPTION
	QTY	QTY	QTY	QTY		
29	1	1	1	1	W345-0006	1/2" INDUCER DRAIN TUBE
30	1	-	-	-	W010-4113	ASSY, 50K SWITCH PACK
30	-	1	-	-	W010-4984	ASSY, 40K SWITCH PACK
30	-	-	1	-	W010-4971	ASSY, 30K SWITCH PACK
30	-	-	-	1	W010-4110	ASSY, 15K SWITCH PACK
31	1	1	1	1	W345-0019	TUBE, 5/8 ID MANIFOLD COVER DRAIN
32	1	1	1	1	W255-0052	FITTING, 1/2" ID 5372K618
33	1	1	1	1	W255-0053	FITTING, 5/8"ID 5372K625
34	2	2	2	2	W120-0089	CAP - DRAIN VENT (.5-.625) 385697 EZ TAB
35	1	1	1	1	W345-0017	HOSE - DRAIN TRAP
36	1	1	1	1	W750-0391	WIRE, HARNESS CONDO PACK GAS FURN
37	1	1	1	1	W750-0325	WIRE, HARNESS CONDO PACK X13 UPPER
38	1	1	1	1	W750-0364	WIRE, HARNESS POWER UPPER
39	1	1	1	1	W750-0333	WIRE, HARNESS 9200/C92 PSC HEAT/COOL

IOM

9. OWNER'S SERVICE INFORMATION

TABLE 13.

IOM

HOMEOWNER'S REFERENCE TABLE
Model No. <i>(Model number located in the right corner of the upper front door)</i>
Serial No. <i>(Serial number located in the right corner of the upper front door)</i>
Date Installed
Contractor
Contact
Address
Postal Code/Zip Code
Telephone No.
After Hours No.
<b>If different from Installation Contractor:</b>
Service Tech.
Telephone No.
After Hours No.
<b>NOTE:</b>



# 10. WARRANTY

**Wolf Steel Ltd.** products are manufactured under the strict Standard of the world recognized ISO 9001 : 2015 Quality Assurance Certificate. **Wolf Steel Ltd.** products are designed with superior components and materials assembled by trained craftsmen who take great pride in their work. The complete appliance is thoroughly inspected by a qualified technician before packaging to ensure that the product you receive is the quality you expect from **Wolf Steel Ltd.**

## Condo Pack LIMITED WARRANTY

### LIMITED WARRANTY

This heating/cooling appliance is warranted by Wolf Steel Ltd. (Condo Pack) to be free from defects in materials and workmanship under normal use and maintenance.

The Stainless Steel Heat Exchanger (Gas Furnace version) is warranted for a period of **20 years** (Parts only, shipping and warranty labor cost are not covered. Such cost are to covered by the owner of appliance).

For the first **10 years** of the warranty period Wolf Steel Ltd. will replace the entire furnace module if the Heat Exchanger fails (the Heat Exchanger shall be defined as the stainless steel components making up the primary and secondary exchange surfaces only; the plastic front manifold cover and gasket are NOT included as part of the Heat Exchanger) and all conditions and limitations of the warranty are met.

For the **11th through 20th year** of the warranty, replacement cost of the furnace module will be prorated.

All other covered components will be warranted for a period of **5 years** during which Wolf Steel Ltd. will cover the replacement of the component (Parts only, shipping and warranty labor cost are not covered. Such cost are to covered by the owner of appliance).

Components not covered by the warranty include consumables such as filters, fuses, driers, refrigerant and oils. Cabinetry components, grills and wiring components are also excluded from the warranty.

Obstacles (such as non-factory approved architectural louvers, brick pattern facades, etc.) or improper installation that causes restriction to the air flow, will decrease performance, cause premature equipment failure and void all warranties.

The warranty period begins at the date of the original installation and if this date cannot be verified, the warranty period begins 6 months after the manufacture date of the appliance (indicated by the first 4 numbers of the serial number).

The warranty is only valid when:

- the appliance has not been moved from its location of original install,
- has been installed by a licensed or qualified HVAC technician,
- was installed in accordance with the manufacturer's directions in the Installation and Operation Manual, and
- was installed in compliance with all industry standards, national and local codes.

Warranty claims must be authorized by Wolf Steel Ltd. recognized representative or agent; parts/components being claimed may need to be analyzed at a Wolf Steel Ltd. facility. Model number, serial number, description of defects (checklist), records of installation date and periodic maintenance are required to process claim.

All warranty service must be done by Wolf Steel Ltd. authorized service technicians using approved components.

### Limitations:

Wolf Steel Ltd. is not responsible for:

1. Damages/Repairs/Costs incurred due to faulty installation or application.
2. Damages/Repairs/Costs caused by an installation that is not performed in compliance with all federal, provincial/state laws or regulations, and the Installation and Operation Manual.
3. Damage as a result of vandalism, freight damage, floods, fires, winds, lightening, and accidents, or any act of nature. Atmospheres contaminated by compounds of chlorine, halogenated hydrocarbons, or other damaging chemicals causing deterioration of components, or other conditions beyond the control of Wolf Steel.
4. Use of components or accessories not compatible with this appliance.
5. Products installed outside of Canada and the United States and its territories.
6. Routine maintenance, but not limited to, cleaning of the coils, filter cleaning and/or replacement and lubrication.
7. Damages/Repairs/Costs incurred because of the use of Parts not supplied or previously authorized by Wolf Steel.
8. Damages or repairs required as a result of improper use, maintenance, operation, servicing, cleaning or replacing filters.
9. Failure to operate due to interruption and/or inadequate electrical service.
10. Damages, defects or failures caused by accidents or negligent or unreasonable use or operation of the unit and its' components, including without limitation, operation beyond rated capacity and operation of electrical components at voltage other than that specified on the rating plate.
11. Wolf Steel will not in any event extend warranty coverage to any incidental, consequential or indirect damages.
12. Changes in the appearance of the unit that does not affect its performance.
13. Damages, defects or failures caused by operation of the unit in abnormal environmental conditions (i.e. salt air).
14. Damages, defects or failures caused by conditioned air (return air) supplied to the furnace being greater than 20% from out of doors (13 °C / 55 °F min. return air temperature).
15. Damages, defects or failures caused by operating air conditioner during periods when outdoor ambient temperatures fall below 13 °C / 55 °F.

ALL SPECIFICATIONS AND DESIGNS ARE SUBJECT TO CHANGE WITHOUT PRIOR NOTICE DUE TO ON-GOING PRODUCT IMPROVEMENTS.  
Napoleon® IS A REGISTERED TRADEMARK OF WOLF STEEL LTD.

### FOR HOMEOWNERS FUTURE REFERENCE

Model and Serial Number \_\_\_\_\_

(Serial number located on inside bottom door)

Installation Date \_\_\_\_\_

Dealer Name \_\_\_\_\_

Dealer's City/Province-State/Postal-Zip Code \_\_\_\_\_

Telephone/Fax \_\_\_\_\_

E-mail Address \_\_\_\_\_

For further information about this warranty, contact Wolf Steel Ltd. Customer Solutions by phone: 1-866-820-8686 •  
• by email: hvac@napoleon.com • or mail to: Wolf Steel Ltd., 24 Napoleon Road, Barrie, Ontario L4M 0G8 Canada.



www.napoleon.com





# NAPOLEON CELEBRATING OVER 40 YEARS OF HOME COMFORT PRODUCTS



7200, Route Transcanadienne, Montréal, Québec H4T 1A3  
24 Napoleon Road, Barrie, Ontario, Canada L4M 0G8  
214 Bayview Drive, Barrie, Ontario, Canada L4N 4Y8  
103 Miller Drive, Crittenden, Kentucky, USA 41030

Phone: 1-866-820-8686  
napoleon.com  
W415-2283 / E / 03.15.21



**INSTALLATEUR:** AVANT DE COMMENCER L'INSTALLATION, VEUILLEZ VOUS FAMILIARISER AVEC CE MANUEL. LAISSEZ CE MANUEL AVEC L'APPAREIL POUR CONSULTATION ULTÉRIEURE.  
**CLIENT:** CONSERVEZ CE MANUEL POUR CONSULTATION ULTÉRIEURE.



## INSTRUCTIONS D'INSTALLATION ET D'OPÉRATION

# UNITÉ MURALE MULTIFONCTION

### SÉRIE P-C

### CHAUFFAGE AU GAZ À CONDENSATION ET CLIMATISATION ÉLECTRIQUE

CONFORME AUX NORMES ANSI/UL 1995 ET À LA NORME ANSI Z21.47. CERTIFIÉ SELON LES NORMES CAN/CSA C22.2 no 236, CAN/CSA. 2.3 ET CAN/CGA 2.17.



Système de qualité certifié  
**ISO**  
9001-2015

Intertek  
9700539

### ⚠ AVERTISSEMENT ⚠

#### RISQUE D'ÉLECTROCUTION, D'INCENDIE OU D'EXPLOSION

LE NON-RESPECT DE TOUTES LES CONSIGNES DE SÉCURITÉ POURRAIT CAUSER DES BLESSURES, LA MORT OU DES DOMMAGES MATÉRIELS.

UNE INSTALLATION NON CONFORME, DES AJUSTEMENTS, DES ALTÉRATIONS, UN SERVICE OU UN ENTRETIEN INADÉQUATS PEUVENT CAUSER DES DOMMAGES MATÉRIELS. CONSULTEZ CE MANUEL. L'INSTALLATION ET L'ENTRETIEN DOIVENT ÊTRE EFFECTUÉS PAR UN INSTALLATEUR QUALIFIÉ, UNE AGENCE DE SERVICE OU UN FOURNISSEUR DE GAZ.

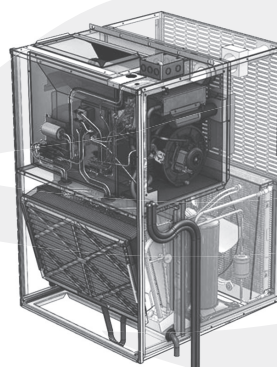
L'APPAREIL CONTIENT DU RÉFRIGÉRANT R-410A ET DE L'HUILE DE COMPRESSEUR POE.

UTILISEZ SEULEMENT DU RÉFRIGÉRANT R-410A ET DE L'HUILE DE COMPRESSEUR POE. IL EST ESSENTIEL D'UTILISER DE L'ÉQUIPEMENT D'ENTRETIEN APPROPRIÉ. UTILISEZ SEULEMENT DU RÉFRIGÉRANT R-410A APPROUVÉ POUR L'ENTRETIEN.

POUR VOTRE SÉCURITÉ, N'ENTREPOSEZ PAS OU N'UTILISEZ PAS D'ESSENCE OU AUTRES LIQUIDES ET VAPEURS INFLAMMABLES À PROXIMITÉ DE CET APPAREIL OU DE TOUT AUTRE APPAREIL. DE TELLES NÉGLIGENCE POURRAIENT ENTRAÎNER DES DOMMAGES MATÉRIELS, DES BLESSURES CORPORELLES OU LA MORT.

### ⚠ ATTENTION ⚠

L'INSTALLATION DOIT ÊTRE EFFECTUÉE CONFORMÉMENT AUX EXIGENCES DES AUTORITÉS LOCALES COMPÉTENTES, DU NATIONAL FUEL GAS CODE ANSI Z223.1 (DERNIÈRE ÉDITION), DU NATIONAL ELECTRICAL CODE AUX ÉTATS-UNIS OU DE LA NORME CAN/CGA-B149.1, CAN/CGA-B149.2 ET C22.1, PARTIE 1 (DERNIÈRE ÉDITION) DU CODE CANADIEN DE L'ÉLECTRICITÉ. TOUTE MODIFICATION AU CÂBLAGE INTERNE ANNULERA LA GARANTIE ET LA CERTIFICATION.



11 EER  
1,0 tonne et 1,5 tonne

ENERGUIDE

L'UNITÉ MURALE MULTIFONCTION DE CHAUFFAGE ET DE CLIMATISATION OFFRANT LE MEILLEUR RENDEMENT.

### ⚠ IMPORTANT ⚠

- L'installation et l'entretien doivent être effectués par un installateur qualifié, une agence de service ou un fournisseur de gaz.
- Avant d'effectuer l'entretien, coupez l'alimentation électrique de l'appareil.
- Avant de procéder à l'entretien des contrôles, étiquetez tous les fils, puis débranchez-les. Rebranchez les fils correctement.
- Assurez-vous que l'appareil fonctionne adéquatement une fois l'entretien terminé.
- N'entreposez pas ou n'utilisez pas d'essence ou autres liquides et vapeurs inflammables à proximité de cet appareil ou de tout autre appareil.
- Après avoir installé l'appareil, montrez à l'utilisateur l'emplacement de l'interrupteur-sectionneur principal sur le Condo Pack et la façon dont l'appareil peut être mis hors tension à l'aide de l'interrupteur.

#### **QUE FAIRE SI VOUS DÉTECTEZ UNE ODEUR DE GAZ :**

- N'allumez aucun appareil.
- Ne touchez à aucun interrupteur électrique; n'utilisez aucun téléphone dans votre logement.
- Quittez le logement immédiatement.
- De la maison d'un voisin, appelez immédiatement votre fournisseur de gaz. Suivez ses directives.
- Si vous ne pouvez pas joindre votre fournisseur de gaz, appelez le service des incendies.

LE FABRICANT SE RÉSERVE LE DROIT DE SUPPRIMER OU DE MODIFIER LES SPÉCIFICATIONS OU LA CONCEPTION EN TOUT TEMPS, SANS PRÉAVIS ET SANS AUTRE OBLIGATION DE SA PART.

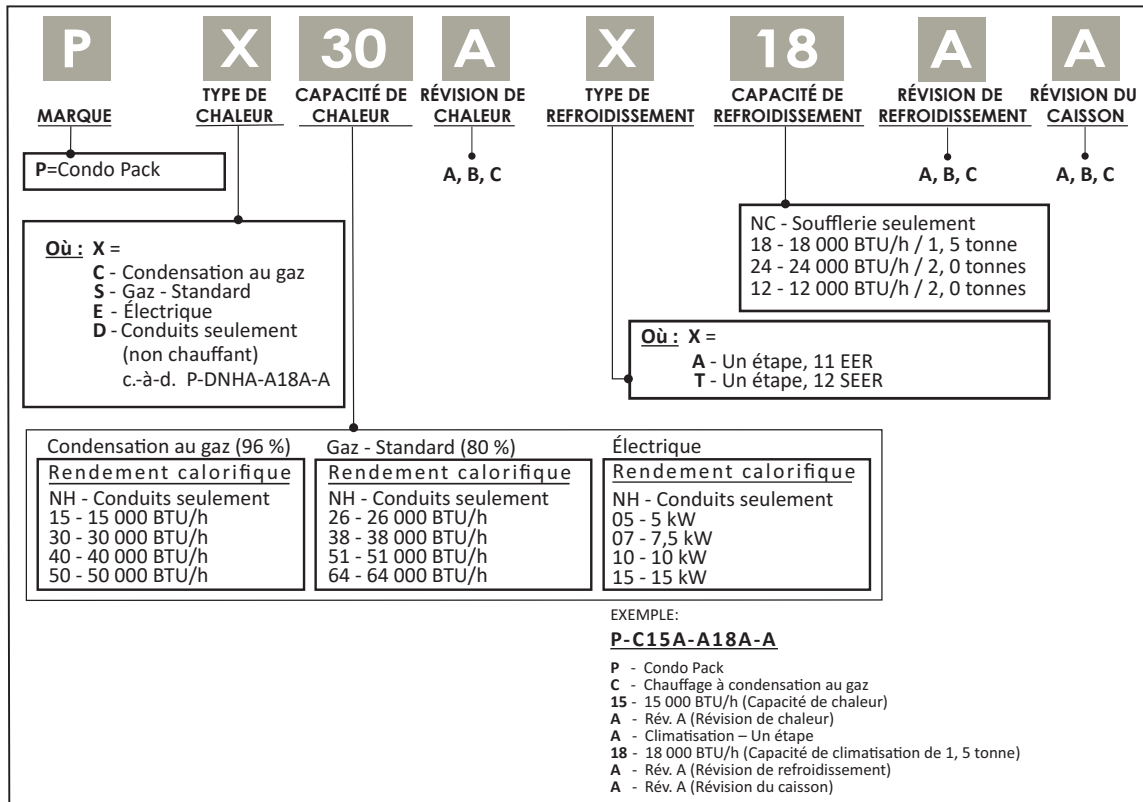
Wolf Steel Itée, 24, rue Napoleon, Barrie (Ontario) L4M 4Y8 Canada /  
103, Miller Drive, Crittenden, Kentucky, É.-U., 41030  
Téléphone 866-820-8686 • cvc@napoleon.com  
• www.napoleon.com •

# TABLE DES MATIÈRES

<b>1.DESCRPTION DU MODÈLE .....</b>	<b>75</b>
<b>2.VUE D'ENSEMBLE .....</b>	<b>75</b>
<b>3.SÉCURITÉ .....</b>	<b>76</b>
3.1 SYMBOLES DE SÉCURITÉ ET AVERTISSEMENTS .....	76
3.2 CONSIGNES DE SÉCURITÉ .....	79
3.3 CODES .....	80
<b>4.INSTALLATION .....</b>	<b>81</b>
4.1 DIMENSIONS DE L'APPAREIL .....	82
4.2 EMBLEMES ET DÉGAGEMENTS DE L'APPAREIL .....	83
4.3 PRÉPARATION DE L'UNITÉ MULTIFONCTION .....	89
4.4 ASSEMBLAGE ET INSTALLATION DU MANCHON MURAL .....	90
4.5 SUPPORT DE L'APPAREIL .....	97
4.6 APPLICATION DE JOINTS D'ÉTANCHÉITÉ SUR LE MANCHON MURAL .....	98
4.7 INSTALLATION DE L'UNITÉ MULTIFONCTION .....	99
4.8 SYSTÈME DE CONDUITS .....	101
4.9 RACCORDES DES CONDUITS DE DRAINAGE .....	103
4.10 CONDUITS D'ÉVACUATION ET DE COMBUSTION .....	105
4.11 ALIMENTATION EN GAZ ET CONDUITES DE GAZ .....	105
4.12 BRANCHEMENT DU GAZ .....	105
4.13 PRESSION D'ALIMENTATION EN GAZ .....	106
4.14 ESSAIS D'ÉTANCHÉITÉ .....	107
4.15 PURGE DES CONDUITES DE GAZ .....	107
4.16 CONVERSIONS .....	107
4.17 ÉLECTRICITÉ .....	110
<b>5.ALLUMAGE ET ARRÊT .....</b>	<b>120</b>
5.1 ALLUMAGE DE LA FOURNAISE .....	120
5.2 ARRÊT DE LA FOURNAISE .....	121
5.3 MISE EN MARCHÉ DU CLIMATISEUR .....	121
5.4 CIRCULATION D'AIR .....	122
<b>6.ENTRETIEN .....</b>	<b>124</b>
6.1 RÈGLES DE SÉCURITÉ GÉNÉRALES .....	124
6.2 CHÂSSIS DE CLIMATISATION .....	125
6.3 FILTRE À AIR .....	125
6.4 LUBRIFICATION .....	125
6.5 COMPTEUR DE GAZ .....	126
6.6 ENTRETIEN PÉRIODIQUE .....	126
<b>7.GUIDE DE DÉPANNAGE .....</b>	<b>127</b>
7.1 DIAGRAMME DE DÉPANNAGE DE LA FOURNAISE .....	127
7.2 GUIDE DE DÉPANNAGE DU CLIMATISEUR .....	128
7.3 RÉGLAGE DE LA CHARGE NOMINALE .....	129
7.4 CODES DE DIAGNOSTIC DE LA DEL D'ÉTAT .....	130
7.5 HISTORIQUE DES CODES DE DÉFAILLANCE .....	130
7.6 INSTALLATION DU DIFFUSEUR POUR VENT FORT .....	131
<b>8.LISTE DES PIÈCES DE RECHANGE POUR LE CONDO PACK À CONDENSATION AU GAZ .....</b>	<b>132</b>
8.1 CAISSON CONDO PACK P-C .....	132
8.2 MODULE DE CLIMATISATION .....	134
8.3 MODULE DE CHAUFFAGE À CONDENSATION AU GAZ .....	137
<b>9.FICHE DU PROPRIÉTAIRE .....</b>	<b>140</b>
<b>10.GARANTIE .....</b>	<b>141</b>



# 1. DESCRIPTION DU MODÈLE



## 2. VUE D'ENSEMBLE

Ces instructions concernent l'installation du Condo Pack, qui se compose de quatre sections distinctes : le manchon mural, le cabinet, les modules de climatiseur et de fournaise. Au lieu de remplacer le système complet, les modules de climatiseur et de fournaise peuvent être partiellement ou totalement enlevés pour l'entretien. Tous les harnais de commande sont séparés par des raccords rapides modulaires, de sorte que le remplacement du module ne nécessite pas de câblage. Le fonctionnement des deux modules a été testé en usine et est prêt pour une installation facile comme un ensemble complet. Cet appareil, équipé d'un module de fournaise à haut rendement, est certifié en tant que fournaise centrale de catégorie IV à air pulsé et à évacuation directe.

Ces instructions sont destinées à aider le technicien de service qualifié. Une mauvaise installation peut endommager l'équipement, annuler la garantie et peut occasionner des dangers entraînant des blessures ou la mort. Nos systèmes et composants de CVC sont conçus pour être installés **UNIQUEMENT** par des techniciens en CVC qualifiés.

L'installation de systèmes de CVC, qui comprend les raccordements du gaz, de l'électricité et du réfrigérant, est régie par un certain nombre de lois, codes et lignes directrices à l'échelle fédérale, nationale et locale. Il incombe à l'installateur d'installer le produit conformément aux codes et aux règlements en vigueur.

Il incombe au propriétaire de la maison d'entretenir correctement l'équipement. **AUCUNE GARANTIE** n'est offerte sur les produits installés par des personnes non certifiées ou non autorisées. Le non-respect de cette politique pourrait entraîner des violations des lois en vigueur qui sont punissables.

La documentation et les spécifications sont continuellement mises à jour et peuvent être modifiées. Veuillez télécharger la dernière version des caractéristiques techniques et des manuels se trouvant sur le site <http://www.condopack.com>.

## 3. SÉCURITÉ

Seul un technicien de service formé et qualifié possédant une bonne maîtrise des instructions d'entretien standard et du matériel de formation devrait effectuer le service ainsi que l'installation et la réparation de ces appareils. Une installation non conforme, des réglages, des modifications, un service, un entretien ou un usage inadéquats peuvent provoquer une explosion, un incendie, une électrocution ou d'autres situations pouvant entraîner la mort, des blessures corporelles ou des dommages matériels. Pour obtenir de l'information ou de l'aide, consultez un installateur qualifié, une agence de service, votre distributeur ou votre succursale.

Respectez toutes les mesures de sécurité. Portez des lunettes de sécurité ainsi que des vêtements et des gants de protection. Ayez toujours accès à un extincteur. Lisez attentivement ces instructions et respectez toutes les mises en garde contenues dans la documentation fournie avec l'appareil. Pour connaître les exigences particulières, consultez les codes locaux, nationaux et provinciaux.

### 3.1 SYMBOLES DE SÉCURITÉ ET AVERTISSEMENTS

Assurez-vous de comprendre et de porter une attention particulière aux mots DANGER, AVERTISSEMENT et ATTENTION ainsi qu'aux symboles définis subséquemment. Ils sont utilisés tout au long de ce manuel pour aviser le lecteur de dangers potentiels et de niveaux de risque variés.

#### **DANGER**

**INDIQUE UNE SITUATION DANGEREUSE IMMINENTE QUI, SI ELLE N'EST PAS ÉVITÉE, CAUSERA LA MORT OU DES BLESSURES GRAVES.**

#### **AVERTISSEMENT**

**INDIQUE UNE SITUATION POTENTIELLEMENT DANGEREUSE QUI, SI ELLE N'EST PAS ÉVITÉE, POURRAIT CAUSER LA MORT OU DES BLESSURES GRAVES.**

#### **ATTENTION**

**INDIQUE UNE SITUATION POTENTIELLEMENT DANGEREUSE QUI, SI ELLE N'EST PAS ÉVITÉE, POURRAIT CAUSER DES BLESSURES MINEURES OU LÉGÈRES. PEUT AUSSI ÊTRE UTILISÉ POUR METTRE EN GARDE CONTRE DES PRATIQUES NON SÉCURITAIRES.**

#### **IMPORTANT**

**PRÉSENTE DES MESURES IMPORTANTES POUR ASSURER UNE INSTALLATION, UNE FIABILITÉ OU UN FONCTIONNEMENT ADÉQUATS.**

#### **REMARQUE**

**MET L'ACCENT SUR LES SUGGESTIONS QUI AMÉLIORENT L'INSTALLATION, LA FIABILITÉ OU LE FONCTIONNEMENT.**

H3.3.2. \_FR

## ⚠ AVERTISSEMENT ⚠

SI CES INSTRUCTIONS NE SONT PAS SUIVIES À LA LETTRE, UN INCENDIE OU UNE EXPLOSION POURRAIENT S'ENSUIVRE, CAUSANT DES DOMMAGES MATÉRIELS, DES BLESSURES CORPORELLES OU LA MORT.

### POUR VOTRE SÉCURITÉ

N'ENTREPOSEZ PAS OU N'UTILISEZ PAS D'ESSENCE OU D'AUTRES LIQUIDES ET VAPEURS INFLAMMABLES OU TOUT AUTRE MATÉRIAU COMBUSTIBLE À PROXIMITÉ DE CET APPAREIL OU DE TOUT AUTRE APPAREIL.

### QUE FAIRE SI VOUS DÉTECTEZ UNE ODEUR DE GAZ

- N'ALLUMEZ AUCUN APPAREIL.
- NE TOUCHEZ À AUCUN INTERRUPTEUR ÉLECTRIQUE; N'UTILISEZ AUCUN TÉLÉPHONE DANS VOTRE IMMEUBLE.
- APPELEZ IMMÉDIATEMENT VOTRE FOURNISSEUR DE GAZ D'UN TÉLÉPHONE VOISIN. SI VOUS UTILISEZ UN TÉLÉPHONE CELLULAIRE, ÉLOIGNEZ-VOUS DE L'IMMEUBLE. SUIVEZ LES INSTRUCTIONS DU FOURNISSEUR DE GAZ.
- SI VOUS NE POUVEZ PAS JOINDRE VOTRE FOURNISSEUR DE GAZ, APPELEZ LE SERVICE DES INCENDIES.
- NE RENTREZ PAS DANS L'IMMEUBLE AVANT D'AVOIR REÇU L'AUTORISATION DU FOURNISSEUR DE GAZ OU DU SERVICE DES INCENDIES.

UNE INSTALLATION NON CONFORME, DES AJUSTEMENTS, DES MODIFICATIONS, UN SERVICE OU UN ENTRETIEN INADÉQUATS PEUVENT CAUSER DES DOMMAGES MATÉRIELS, DES BLESSURES CORPORELLES OU LA MORT. CONSULTEZ CE MANUEL.

L'INSTALLATION ET L'ENTRETIEN DOIVENT ÊTRE EFFECTUÉS PAR UN INSTALLATEUR QUALIFIÉ, UNE AGENCE DE SERVICE OU UN FOURNISSEUR DE GAZ.

H3.3.3. GS\_CP\_FR

## ⚠ AVERTISSEMENT ⚠

AFIN D'ASSURER UN FONCTIONNEMENT SÉCURITAIRE ET ADÉQUAT, LA FOURNAISE A BESOIN D'AIR POUR LA COMBUSTION ET LA VENTILATION. ÉVITEZ DE BLOQUER LES PRISES D'AIR DE LA FOURNAISE, LES PRISES D'AIR DE L'ENDROIT OÙ L'APPAREIL EST INSTALLÉ, ET LAISSEZ UN ESPACE LIBRE AUTOUR DE LA FOURNAISE.

## ⚠ AVERTISSEMENT ⚠

EN CAS DE SURCHAUFFE OU S'IL EST IMPOSSIBLE DE COUPER L'ALIMENTATION EN GAZ, FERMEZ LA SOUPAPE DE GAZ DE LA FOURNAISE AVANT DE COUPER L'ALIMENTATION ÉLECTRIQUE DE LA FOURNAISE.

## ⚠ AVERTISSEMENT ⚠

N'UTILISEZ PAS CETTE FOURNAISE SI UNE PARTIE QUELCONQUE A ÉTÉ SUBMERGÉE. UN APPAREIL ENDOMMAGÉ PAR L'EAU EST EXTRÊMEMENT DANGEREUX. DANS CES CIRCONSTANCES, TENTER D'UTILISER LA FOURNAISE PEUT PROVOQUER UN INCENDIE OU UNE EXPLOSION. VOUS DEVEZ COMMUNIQUER AVEC UNE AGENCE DE SERVICE QUALIFIÉE POUR FAIRE INSPECTER LA FOURNAISE ET POUR FAIRE REMPLACER TOUT CONTRÔLE DE GAZ, TOUTE PIÈCE DU SYSTÈME DE CONTRÔLE OU TOUTE PIÈCE ÉLECTRIQUE QUI A ÉTÉ EN CONTACT AVEC DE L'EAU, OU ALORS POUR FAIRE REMPLACER LA FOURNAISE, SI CELA EST JUGÉ NÉCESSAIRE.

H3.3.4. GS\_CP\_FR

**⚠ AVERTISSEMENT ⚠**

**CETTE INFORMATION EST DESTINÉE AUX TECHNICIENS EN CVC QUALIFIÉS. TOUTE TENTATIVE DE RÉPARATION D'UN CLIMATISEUR CENTRAL PEUT ENTRAÎNER DES BLESSURES CORPORELLES OU DES DOMMAGES MATÉRIELS. LE FABRICANT OU LE VENDEUR NE SONT PAS RESPONSABLES DE L'INTERPRÉTATION DE CETTE INFORMATION ET N'ASSUMENT AUCUNE RESPONSABILITÉ LIÉE À SON UTILISATION.**

**⚠ ATTENTION ⚠**

- L'APPAREIL CONTIENT DU RÉFRIGÉRANT R-410A ET DE L'HUILE POUR COMPRESSEUR DE TYPE POE.
- NE PAS REMPLACER LE RÉFRIGÉRANT ET L'HUILE POUR COMPRESSEUR PAR UN AUTRE PRODUIT.
- UTILISER SEULEMENT DES COMPOSANTS ET DE L'ÉQUIPEMENT D'ENTRETIEN CONVENANT AU RÉFRIGÉRANT R-410A. LE DÉFAUT DE SE CONFORMER À CETTE EXIGENCE POURRAIT CAUSER DES BLESSURES CORPORELLES OU DES DOMMAGES MATÉRIELS.
- LORSQUE LE SYSTÈME EST OUVERT POUR REMPLACER UN COMPOSANT, LIMITER L'EXPOSITION DU SYSTÈME À L'AIR, CAR L'HUILE POE ABSORBE FACILEMENT L'HUMIDITÉ AMBIANTE.
- NE JAMAIS CASSER LE VIDE AVEC DE L'AIR ET TOUJOURS CHANGER LE FILTRE DÉSHYDRATEUR LORSQUE LE SYSTÈME EST OUVERT.

**⚠ AVERTISSEMENT ⚠**

**SURFACE CHAUDE! NE TOUCHEZ PAS LE DESSUS DU COMPRESSEUR. LE COMPRESSEUR ET LES CONDUITES D'ÉVACUATION PEUVENT ÊTRE EXTRÊMEMENT CHAUDS. TOUT CONTACT PEUT CAUSER DES BRÛLURES, DE LÉGÈRES À GRAVES.**

**⚠ ATTENTION ⚠**

PENDANT L'INSTALLATION, LA VÉRIFICATION, L'ENTRETIEN ET LA RÉOLUTION DE PROBLÈME, IL SERA PEUT-ÊTRE NÉCESSAIRE DE TRAVAILLER AVEC DES COMPOSANTES ÉLECTRIQUES. IL EXISTE UN RISQUE D'ÉLECTROCUTION POUVANT PROVOQUER DES BLESSURES OU LA MORT :  
COUPER L'ALIMENTATION ÉLECTRIQUE AVANT DE PROCÉDER À L'ENTRETIEN!

H3.94\_CP\_FR

**⚠ AVERTISSEMENT ⚠**

**CES INSTRUCTIONS SONT DESTINÉES À AIDER LES TECHNICIENS DE SERVICE QUALIFIÉS À INSTALLER, À RÉGLER ET À FAIRE FONCTIONNER ADÉQUATEMENT CET APPAREIL. LISEZ ATTENTIVEMENT CES DIRECTIVES AVANT DE PROCÉDER À L'INSTALLATION DE L'APPAREIL ET DE LE FAIRE FONCTIONNER. SI CES DIRECTIVES NE SONT PAS SUIVIES À LA LETTRE, L'INSTALLATION, LE RÉGLAGE, LE SERVICE OU L'ENTRETIEN POURRAIENT ÊTRE INADÉQUATS, CE QUI RISQUERAIT DE CAUSER UN INCENDIE, UNE ÉLECTROCUTION, UN EMPOISONNEMENT AU MONOXYDE DE CARBONE, UNE EXPLOSION, DES DOMMAGES MATÉRIELS, DES BLESSURES CORPORELLES OU LA MORT.**

H3.4.2\_CP\_FR

### 3.2 CONSIGNES DE SÉCURITÉ

1. Cette fournaise ne doit fonctionner qu'avec le type de gaz approuvé pour cet appareil. Consultez la plaque d'homologation de l'appareil.
2. **Cet appareil doit être entreposé à l'intérieur, dans un endroit sec (à l'abri des intempéries).**
3. N'installez PAS cet appareil à l'extérieur ou dans une maison mobile, une caravane ou un véhicule de plaisance. Cet appareil n'est pas conçu ou certifié pour ce type d'installation.
4. N'installez PAS l'appareil dans un milieu corrosif ou contaminé.
5. Pour démarrer ou arrêter la fournaise, consultez les sections « Mise en marche de la fournaise et Arrêt de la fournaise » de la section 5 du présent manuel.
6. Cette unité doit être installée au sec et à l'intérieur (**à l'abri des intempéries et des températures extrêmement froides**).
7. L'espace où est installé l'appareil doit être suffisamment approvisionné en air comburant et en air de ventilation, comme il est indiqué dans la section « 4.10 Conduits d'évacuation et de combustion ».
8. Les produits de la combustion doivent être rejetés à l'extérieur uniquement par un système de ventilation installé en usine, comme il est indiqué à la section « 4.10 Conduits d'évacuation et de combustion ».
9. N'effectuez jamais de tests de détection de fuites avec une flamme nue. Pour vérifier toutes les connexions, procurez-vous une solution savonneuse commerciale spécialement conçue pour la détection des fuites, comme il est indiqué dans la section « 4.11 Alimentation en gaz et conduites de gaz » de ce manuel.
10. L'air doit être canalisé, tant l'air d'approvisionnement que de retour. Les conduits doivent relier l'appareil aux différentes pièces, mais pas à celle accueillant l'appareil. Assurez-vous que la pression statique externe du système de conduits respecte la plage permise (comme il est indiqué sur la plaque d'homologation de l'appareil). Scellez complètement les conduits d'approvisionnement et de retour d'air sur le caisson de l'appareil. Consultez la section « 4.8 Système de conduits » pour obtenir de plus amples renseignements.
11. La prise de retour doit être alimentée d'une ou de plusieurs autres pièces à l'intérieur de l'espace climatisé. **L'apport d'air frais ne doit jamais être ajouté directement au conduit d'air de RETOUR; l'apport d'air frais doit toujours passer soit par un système de ventilateur-récupérateur de chaleur avant d'être raccordé au conduit d'air de RETOUR, soit par un mécanisme standard autorisé par les codes du bâtiment et les autorités compétentes locales. Le non-respect des pratiques habituelles en matière d'apport d'air frais peut entraîner un fonctionnement anormal de l'appareil ou une défaillance prématurée du système, entraînant l'annulation de la garantie.**
12. Cet appareil doit toujours être installé pour qu'il puisse fonctionner selon l'étendue des élévations de température et la gamme de pressions statiques externes (conduits), comme il est indiqué sur la plaque d'homologation de l'appareil.
13. Lorsqu'un appareil alimenté au gaz est installé dans un garage de remisage, les sources d'inflammation de l'appareil, y compris la soufflerie et le contacteur (consultez la page 17, « IMPORTANT », 1a.), doivent se trouver au moins à 457 mm (18 po) au-dessus du plancher. Pour éviter que les véhicules endommagent l'appareil, celui-ci doit être installé dans un endroit approprié ou être protégé. Consultez les consignes de sécurité.
14. **La température de l'air de retour doit se maintenir dans la plage suivante :**
  - entre 55 °F (13 °C) et 80 °F (27 °C) pour le chauffage au gaz
  - entre 65 °F (18 °C) et 90 °F (32 °C) pour la climatisation.
15. La fournaise doit être exempte de tous matériaux isolants. Examinez soigneusement la zone où est installée la fournaise lors de l'installation de cette dernière ou lorsqu'un isolant est ajouté. Les matériaux isolants peuvent être combustibles.
16. **NE DOIT PAS SERVIR À CHAUFFER NI À CLIMATISER DES BÂTIMENTS OU DES STRUCTURES EN CONSTRUCTION!** Les appareils endommagés ou enlisés par des débris de construction ne seront pas couverts par la garantie.
17. Avant d'installer l'appareil, assurez-vous de connaître tous les codes en vigueur. Les codes locaux, provinciaux ou nationaux peuvent prévaloir sur les instructions contenues dans le présent manuel. Assurez-vous de consulter :
  - Les autorités compétentes en matière d'installation de systèmes de CVC;
  - Les codes locaux pour obtenir des renseignements sur le câblage électrique.

#### ⚠ AVERTISSEMENT ⚠

**LORSQUE CET APPAREIL EST INSTALLÉ DANS UN GARAGE D'ENTREPOSAGE, LES BRÛLEURS ET L'ALLUMEUR DE L'APPAREIL DOIVENT SE TROUVER AU MOINS À 18 po (457 mm) AU-DESSUS DU PLANCHER, ET CE, AFIN D'ÉVITER QUE DES VAPEURS INFLAMMABLES, POTENTIELLEMENT PRÉSENTES DANS LE GARAGE, PRENNENT FEU.**

**POUR ÉVITER QUE LES VÉHICULES ENDOMMAGENT LA FOURNAISE, ELLE DOIT ÊTRE INSTALLÉE DANS UN ENDROIT APPROPRIÉ OU ÊTRE PROTÉGÉE.**

**SI CES INSTRUCTIONS NE SONT PAS SUIVIES À LA LETTRE, UN INCENDIE OU UNE EXPLOSION POURRAIENT S'ENSUIVRE, CAUSANT DES DOMMAGES MATÉRIELS, DES BLESSURES CORPORELLES OU LA MORT.**

### 3.3 CODES

#### 1. Cet appareil doit être installé ainsi:

- Conformément à tous les codes, les réglementations et les règlements locaux émis par les autorités compétentes.
- Au Canada, l'installation de la fournaise doit être conforme aux normes actuelles CAN/CGA-B149.1 et B149.2 du Code d'installation du gaz naturel et du propane.
- Aux États-Unis, l'installation de la fournaise doit être conforme à la norme actuelle ANSI Z223.1 (NFPA 54) du National Fuel Gas Code.

#### 2. Les branchements électriques doivent :

- Être conformes à tous les codes, les réglementations et les règlements locaux applicables.
- Au Canada : être conformes à la version courante des normes CAN/CSA C22.1 et C22.2 du Code canadien de l'électricité (Parties 1 et 2).
- Aux États-Unis, être conformes à la version courante de la norme ANSI/NFPA 70 du National Electrical Code.

#### 3. Les normes ainsi que d'autres renseignements sont disponibles auprès des organismes suivants :

Association canadienne de normalisation  
5060, Spectrum Way  
Mississauga, (Ontario) L4W 5N6  
Tél. : 416 747-4000  
Site Web : www.csa.ca

National Fire Protection Association  
1, Batterymarch Park  
Quincy, MA, 02169-7471  
Tél. : 617 770-3000  
Site Web : www.nfpa.org

American Gas Association  
400, North Capitol Street,  
NW, Suite 450  
Washington DC, 20001  
Tél. : 202 824-7000  
Site Web : www.aga.org

## ⚠ AVERTISSEMENT ⚠

**N'INSTALLEZ PAS CET APPAREIL DANS UNE MAISON MOBILE! UNE TELLE INSTALLATION N'EST PAS APPROUVÉE. CELA POURRAIT CAUSER UN INCENDIE, DES DOMMAGES MATÉRIELS, DES BLESSURES CORPORELLES OU LA MORT.**

**CETTE FOURNAISE CONTIENT DE L'ISOLANT EN FIBRE DE VERRE RECOUVERT D'UNE FEUILLE D'ALUMINIUM. IL EXISTE UN LIEN ENTRE L'INHALATION DE PARTICULES DE FIBRE DE VERRE ET LES MALADIES RESPIRATOIRES, INCLUANT LE CANCER.**

**HABITUELLEMENT, LE GAZ NATUREL ET LE PROPANE SONT ODORISÉS PAR LE FOURNISSEUR DE COMBUSTIBLE. DANS CERTAINS CAS, IL EST POSSIBLE QUE L'ODEUR SOIT IMPERCEPTIBLE. COMME MESURE DE SÉCURITÉ SUPPLÉMENTAIRE, IL EST CONSEILLÉ D'INSTALLER, SELON LES DIRECTIVES DU FABRICANT, DES DÉTECTEURS DE GAZ HOMOLOGUÉS UL ET ULC.**

**LES GAZ D'ÉCHAPPEMENT DE CETTE FOURNAISE CONTIENNENT DES SUBSTANCES CHIMIQUES QUI, PARFOIS, PEUVENT RENFERMER DU MONOXYDE DE CARBONE. CE DERNIER EST UN GAZ INODORE, INCOLORE, INSIPIDE ET HAUTEMENT TOXIQUE. MÊME EN FAIBLES CONCENTRATIONS, IL EST PRÉSUMÉ CAUSER DES MALFORMATIONS CONGÉNITALES ET POSER D'AUTRES DANGERS POUR LA REPRODUCTION.**

**DANS TOUS LES IMMEUBLES DOTÉS D'APPAREILS ALIMENTÉS PAR DES COMBUSTIBLES FOSSILES, IL EST CONSEILLÉ D'INSTALLER DES DÉTECTEURS DE MONOXYDE DE CARBONE HOMOLOGUÉS UL ET ULC. L'INSTALLATION DE TOUS LES DÉTECTEURS DE MONOXYDE DE CARBONE DOIT ÊTRE CONFORME AUX DIRECTIVES DU FABRICANT ET AUX CODES DU BÂTIMENT LOCAUX APPLICABLES.**

**DANGER D'INCENDIE, D'EXPLOSION ET D'EMPOISONNEMENT AU MONOXYDE DE CARBONE! L'UTILISATION DE DISPOSITIFS DE CONTRÔLE INAPPROPRIÉS POURRAIT CAUSER UN INCENDIE, UNE EXPLOSION OU UN EMPOISONNEMENT AU MONOXYDE DE CARBONE. LA SOUPAPE DE GAZ DOIT UNIQUEMENT ÊTRE REMPLACÉE PAR LE MÊME NUMÉRO DE MODÈLE OU PAR LE MODÈLE SPÉCIFIÉ PAR LE FABRICANT.**



## 4. INSTALLATION

L'appareil est livré en un seul morceau, complètement assemblé et câblé. Les raccords des conduits de drainage de la fournaise et du climatiseur sont expédiés séparément afin qu'ils soient installés sur place.

Si l'appareil neuf présente des dommages, signalez-les sur le bon de livraison du transporteur. Les demandes de remboursement doivent être remises au transporteur le plus rapidement possible.

Vérifiez la plaque d'homologation (à l'avant du panneau d'accès) pour confirmer les capacités de chauffage et de climatisation. L'appareil doit être utilisé uniquement avec le type de gaz et l'alimentation électrique indiqués sur la plaque d'homologation.

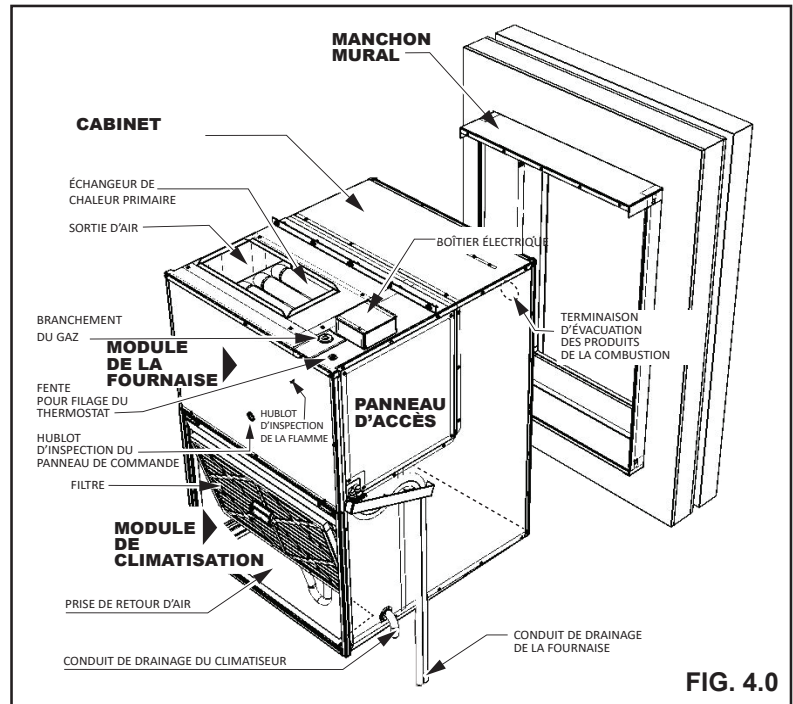


FIG. 4.0

### ⚠ IMPORTANT ⚠

**AVANT L'INSTALLATION, ENLEVEZ LES SUPPORTS DE TRANSPORT DU CHÂSSIS ET REMETTEZ LES VIS EN PLACE SUR L'APPAREIL.**

### ⚠ AVERTISSEMENT ⚠

**N'INSTALLEZ PAS L'APPAREIL CONDO PACK DANS UN ENDROIT QUI N'EST PAS ISOLÉ. LA TEMPÉRATURE AMBIANTE DE LA SALLE MÉCANIQUE OÙ TOUT APPAREIL CONDO PACK À CONDENSATION AU GAZ HAUTE EFFICACITÉ EST INSTALLÉ DOIT ÊTRE MAINTENUE À AU MOINS 13 °C (55 °F) POUR ÉVITER LE GEL DU CONDENSAT PENDANT LA SAISON DE CHAUFFAGE. IL NE PEUT Y AVOIR AUCUNE INFILTRATION D'AIR DE L'EXTÉRIEUR DANS LA SALLE MÉCANIQUE. TOUTES LES OUVERTURES DANS UN MUR EXTÉRIEUR EXPOSÉ DESTINÉES AU PASSAGE DE CONDUITS ET DE TUYAUX DOIVENT ÊTRE COMPLÈTEMENT SCELLÉES.**

La fournaise ne doit pas être installée dans un endroit où l'air de combustion est gorgé de composés chimiques tels que du brome, du chlore ou du fluor, des éléments présents notamment dans les produits chimiques utilisés dans les piscines et les détergents à lessive. Lorsqu'ils sont exposés à une flamme, ces composés forment des acides qui corrodent l'échangeur de chaleur et les autres composants.

L'air de combustion devra provenir de l'extérieur si sa source est exposée aux substances suivantes (sans s'y limiter). L'exposition de l'air de combustion à ces substances est interdite et aura une incidence sur les réclamations liées à la garantie:

- Des aérosols, particulièrement ceux à base de CFC ou les bombes aérosols
- Des assainisseurs d'air
- Des « adhésifs à avion » ou des adhésifs similaires
- De l'ammoniac, une substance habituellement incorporée dans les produits pour permanente utilisés dans les salons de coiffure
- De l'assouplisseur antistatique utilisé dans les sèche-linge
- Du tétrachlorure de carbone
- Des nettoyeurs et des cires chlorés
- Des produits chimiques pour piscine à base de chlore et de brome
- Des sels ou des produits chimiques pour le déglçage (sel gemme, etc.)
- Des liquides de nettoyage à sec, comme le perchloréthylène
- Des vapeurs provenant du durcissement du polyuréthane et d'autres substances similaires
- Des réfrigérants à base d'halogène, incluant les réfrigérants R-12 et R-22
- Des agents nettoyeurs et de cuisson de maçonnerie à base d'acide chlorhydrique et d'autres acides
- Des encres pour imprimantes, des décapants, des vernis, du Varsol, du toluène, etc.
- Des sels et des produits chimiques pour adoucisseur d'eau

## 4.1 DIMENSIONS DE L'APPAREIL

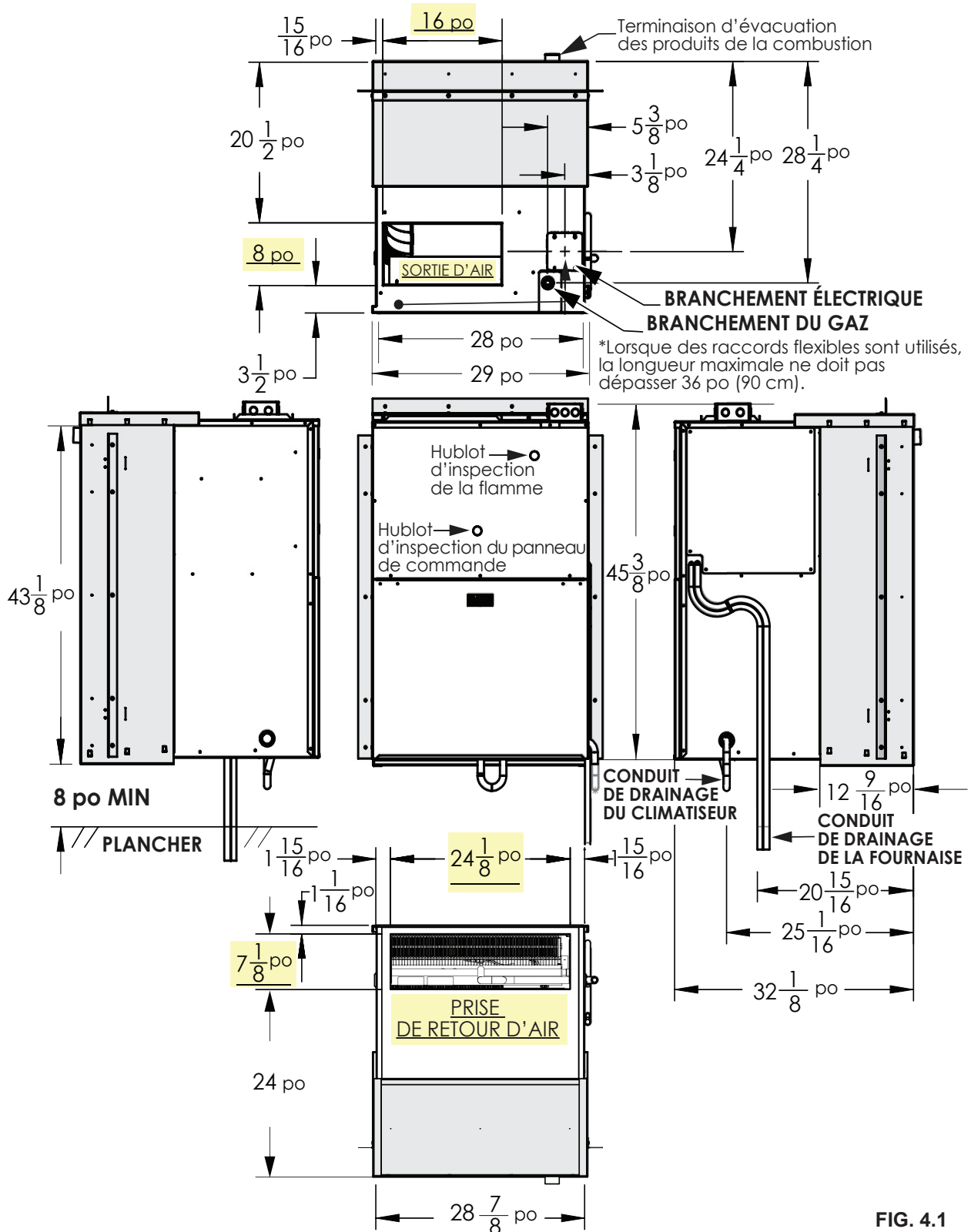
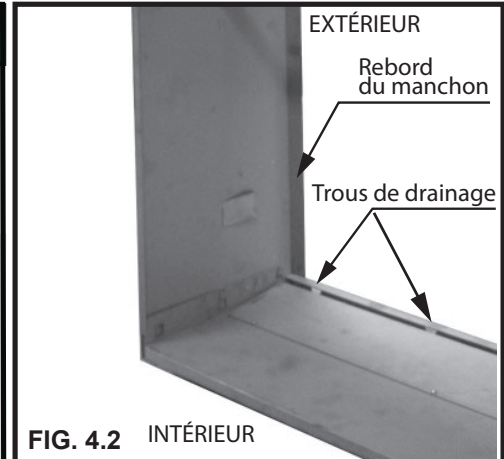


FIG. 4.1

## 4.2 EMPLACEMENTS ET DÉGAGEMENTS DE L'APPAREIL

REMARQUE
<p>BIEN QU'IL SOIT IMPOSSIBLE DE FOURNIR UNE DESCRIPTION DÉTAILLÉE DE TOUS LES PARAMÈTRES DE CONSTRUCTION POUVANT EXISTER, IL EST RECOMMANDÉ DE TENIR COMPTE DES DIRECTIVES ET PRÉCAUTIONS SUIVANTES :</p> <ul style="list-style-type: none"> <li>• <b>LES MURS DE MAÇONNERIE DOIVENT ÊTRE SOUTENUS PAR UN LINTEAU.</b></li> <li>• <b>PENDANT L'ASSEMBLAGE DU MANCHON MURAL, VEILLEZ À CE QUE LES REBORDS DU PANNEAU LATÉRAL ET LES TROUS DE DRAINAGE DU PANNEAU DE BASE SE TROUVENT SUR LE MÊME CÔTÉ DU MANCHON MURAL. VOIR LA FIG. 4.2.</b></li> </ul>



Pour minimiser l'effet de l'interaction entre plusieurs appareils dans un même immeuble, certaines conditions générales concernant l'emplacement doivent être prises en considération.

Une installation dans un endroit non conforme peut faire en sorte que l'appareil ne fonctionne pas normalement et s'endommage prématurément. L'application de ces règles générales peut varier en fonction de chaque utilisation. Veuillez communiquer avec le fabricant ou le détaillant pour obtenir des solutions de rechange et de l'aide concernant l'utilisation.

### Généralités à prendre en considération lors de la détermination de l'emplacement :

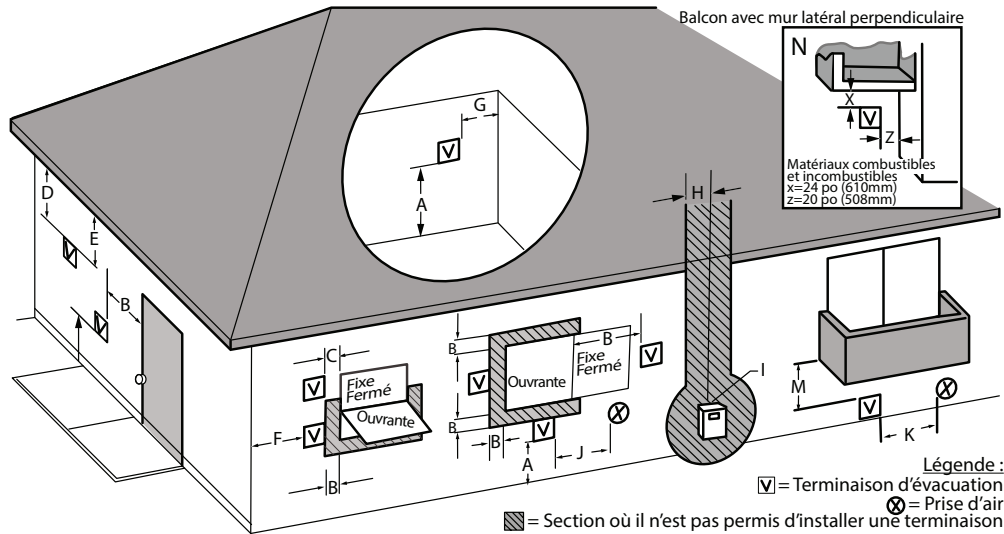
- Tout mur où est installé un appareil Condo Pack doit se trouver à au moins 2 pi (61 cm) (pour chaque étage) du mur qui fait face à l'appareil. Si le mur en face de l'appareil comporte lui aussi un appareil Condo Pack, ces deux murs doivent se trouver à une distance d'au moins 4 pi (1,2 m). Consultez le tableau 1 « Distance minimale entre deux murs opposés » ci-dessous.
- Un immeuble de six étages dans lequel sont installés, en rangée verticale, six appareils Condo Pack doit être à au moins 12 pi (3,6 m) du mur de l'immeuble d'en face et à au moins 24 pi (7,2 m) du mur de l'immeuble d'en face si des appareils Condo Pack y sont installés.
- Des immeubles de plus de six étages auront les mêmes paramètres de distance que les bâtiments de six étages.
- Si trois murs adjacents ou plus forment un puits d'air dans lequel des appareils Condo Pack se font face, la distance entre les murs opposés doit être augmentée de 20 %.

TABLEAU 1

NOMBRE D'ÉTAGES AVEC APPAREILS	DISTANCE MINIMALE ENTRE DEUX MURS OPPOSÉS	
	SANS appareil installé sur le mur opposé	AVEC un appareil installé sur le mur opposé
1	2 pieds	4 pieds
2	4 pieds	8 pieds
3	6 pieds	12 pieds
4	8 pieds	16 pieds
5	10 pieds	20 pieds
6 ou plus	12 pieds	24 pieds

- Afin d'être en mesure de retirer l'unité, une zone de dégagement d'au moins 32,5 po (82,5 cm) doit être maintenue désencombrée devant les portes avant.
- Ne pas installer directement sur le tapis, le carrelage, ou autre matériau combustible autre qu'un plancher de bois. Le côté grillagé de l'appareil doit dépasser la face de l'édifice d'au moins ½ po et d'au plus 1 po et ne doit être entravé par aucun objet. Consultez la figure 4.2.2.B.
- Si l'appareil est installé sur un mur extérieur d'un garage de remisage, il doit être protégé ou placé de façon à éviter qu'il soit endommagé par les véhicules. Cet appareil doit être installé de façon à ce qu'aucun de ses composants électriques ne soit exposé à l'eau.

FIG. 4.2.1 - DÉGAGEMENT DE LA TERMINAISON DU SYSTÈME D'ÉVENT DIRECT



	Installations canadiennes <sup>1</sup>	US Installations <sup>2</sup>	
<b>A</b>	Dégagement au-dessus du sol, d'une véranda, d'un porche, d'une terrasse en bois, d'un balcon, ou des accumulations de neige prévues.	12 po (30 cm)	12 po (30 cm)
<b>B</b>	Dégagement aux fenêtres ou aux portes qui peuvent être ouvertes	12 po (30 cm)	9 po (23 cm) pour les appareils > 10 000 BTUH (3 kW) et ≤ 50 000 BTUH (15 kW), 12 po (30 cm) pour les appareils > 50 000 BTUH ≤ 150 000 BTUH
<b>C</b>	Dégagement aux fenêtres fermées en permanence	*	*
<b>D</b>	Dégagement vertical aux soffites ventilés situés au-dessus de la terminaison à une distance horizontale de 2 pi (61 cm) de la ligne de centre de la terminaison	*	*
<b>E</b>	Dégagement aux soffites non ventilés	*	*
<b>F</b>	Dégagement au coin extérieur	*	*
<b>G</b>	Dégagement au coin intérieur	*	*
<b>H</b>	Dégagement de chaque côté de la ligne de centre de l'ensemble de régulateur/compteur	3 pi (91 cm) dans une hauteur de 15 pi (4,5 m) au-dessus de l'ensemble de régulateur/compteur	*
<b>I</b>	Dégagement à l'évent de régulateur	3 pi (91 cm)	*
<b>J</b>	Dégagement par rapport à une prise d'air non mécanique du bâtiment ou à une prise d'air comburant de tout autre appareil	12 po (30 cm)	9 po (23 cm) pour les appareils > 10 000 BTUH (3 kW) et ≤ 50 000 BTUH (15 kW), 12 po (30 cm) pour les appareils > 50 000 BTUH ≤ 150 000 BTUH
<b>K</b>	Dégagement par rapport à une prise d'air mécanique	6 pi (1,83 m)	3 pi (91 cm) au-dessus si à l'intérieur de 10 pi (3 m) à l'horizontale
<b>L</b>	Dégagement au-dessus d'un trottoir ou d'une entrée pavée situés sur une propriété publique	7 pi (2,13 m)†	*
<b>M</b>	Dégagement sous une véranda, un porche, une terrasse ou un balcon	>12 po (30 cm)‡	*
<b>N</b>	Balcon avec mur latéral perpendiculaire	x = 24 po, z = 20 po *	x = 24 po, z = 20 po *

**Remarques :**

1) Conforme à la version courante des normes CSA B149.1 du Code d'installation du gaz naturel et du propane.

2) Conforme à la version courante des normes ANSI Z223.1/NFPA 54 du National Fuel Gas Code.

\* Si les dégagements ne sont pas précisés dans les normes ANSI Z223.1/NFPA 54 ou CSA B149.1, l'un des éléments suivants doit être indiqué :

a) Une valeur de dégagement minimal conforme à la clause 5.25.5 et déterminée à la suite d'essais;

b) Un renvoi à la note en bas de page suivante :

« Les dégagements doivent être conformes aux codes d'installation locaux et aux exigences du fournisseur de gaz. »

† Une terminaison ne doit pas être située directement au-dessus d'un trottoir ou d'une entrée pavée situés entre deux maisons unifamiliales et servant aux deux maisons.

‡ Autorisé seulement si la véranda, le porche, la terrasse en bois ou le balcon sont complètement ouverts sur un minimum de deux côtés sous le plancher.

3) Ce tableau se fonde sur les codes nationaux pour les appareils à gaz et est fourni à titre de référence. Consultez les codes locaux, car ils pourraient avoir préséance sur les normes ou les recommandations.

4) Éviter d'installer le système d'évacuation sous une terrasse en bois ou un grand élément en surplomb. La possible recirculation des gaz pourrait causer des problèmes de rendement ou de système. Une accumulation de glace pourrait également se former.

H99.1\_FR

## 4.2.1 Directives d'évacuation

Cet appareil doit être installé de façon à ce que la sortie d'évent soit située de la manière suivante :

1. **Au Canada** : Conformément à la plus récente version du Code d'installation du gaz naturel et du propane (CAN/CSA-B149.1) et aux codes locaux applicables.
2. **Aux États-Unis** : Conformément à la plus récente version du National Fuel Gas Code (NFPA 54/ANSI Z223.1) et aux codes locaux applicables.
3. Évitez d'installer les terminaisons dans un endroit où les gaz de combustion pourraient stagner et recirculer dans la prise d'air comburant.
4. Évitez d'installer la terminaison d'évacuation dans des endroits où l'écoulement de vapeur d'eau pourrait occasionner des problèmes, comme au-dessus d'un trottoir, d'un patio, de jardinières, près des fenêtres où les produits de l'évacuation causeraient de la buée, de la glace, etc.
5. De même, la terminaison ne devrait pas être placée trop près des arbustes ou d'autre végétation.
6. N'installez pas la terminaison sous une terrasse en bois, à moins que les dégagements permettent d'éviter les dommages causés par les gaz de combustion. La terminaison peut être située à l'extrémité d'une terrasse en bois.
7. **Au moment de déterminer l'emplacement des terminaisons d'évacuation, il est essentiel de tenir compte des vents dominants, de l'emplacement et d'autres conditions qui pourraient empêcher le fonctionnement normal de l'appareil et causer la recirculation des produits de combustion des terminaisons situées à proximité.**
8. **Consultez les codes locaux pour connaître les distances recommandées entre les terminaisons d'évacuation et un coin intérieur formé par deux murs extérieurs. Si elles ne sont pas précisées dans les codes locaux, la terminaison d'évacuation doit être située à au moins 6 po (0,15 m) d'un coin intérieur formé par deux murs extérieurs.**
9. Pour connaître les dégagements de la terminaison d'évacuation, consultez la figure 4.2.1.

H14.7\_FR

### ⚠ ATTENTION ⚠

**UNE INSTALLATION OU UN EMPLACEMENT INADÉQUATS PEUVENT OCCASIONNER DES DOMMAGES STRUCTURAUX À L'IMMEUBLE OU AU FINI EXTÉRIEUR, OU ENCORE PROVOQUER LA RECIRCULATION DES GAZ DE COMBUSTION DANS LA PRISE D'AIR COMBURANT OU LE GEL DE CES GAZ DANS OU SUR LA PRISE D'AIR COMBURANT. L'HUMIDITÉ DES GAZ DE COMBUSTION SE CONDENSE DÈS QU'ILS SONT ÉVACUÉS. CETTE HUMIDITÉ PEUT GELER SUR LES MURS EXTÉRIEURS, LES SOFFITES ET AUTRES OBJETS À PROXIMITÉ. UNE CERTAINE DÉCOLORATION EST POSSIBLE.**

Il est recommandé que le dégagement vertical entre une terminaison d'évacuation et un élément en surplomb soit maximisé pour éviter que des produits de condensation s'y déposent et y gèlent. Cette façon de faire permet d'éviter la dégradation des matériaux de construction.

Il est recommandé (lorsque possible) de fournir le même dégagement à la verticale entre l'évent et les éléments en surplomb que celui à l'horizontale le séparant des éléments en saillie.

Le dégagement minimal entre le dessus de la terminaison du système d'évent et un élément en surplomb doit être supérieur à 12 po (0,3 m), à moins que les lois locales n'exigent un plus grand dégagement.

Toute surface peinte adjacente doit être en bonne condition (aucune craquelure, aucune écaillage, etc.). Dans l'éventualité où des surfaces en bois seraient exposées régulièrement à des gaz de combustion, prévoyez de les traiter avec un scellant.

H15.5.2\_FR

## 4.2.2 Dégagements minimaux

Les dégagements minimaux requis pour l'installation et l'accessibilité sont présentés ci-dessous. Ces dégagements doivent être respectés, à moins d'une dérogation accordée par le fabricant.

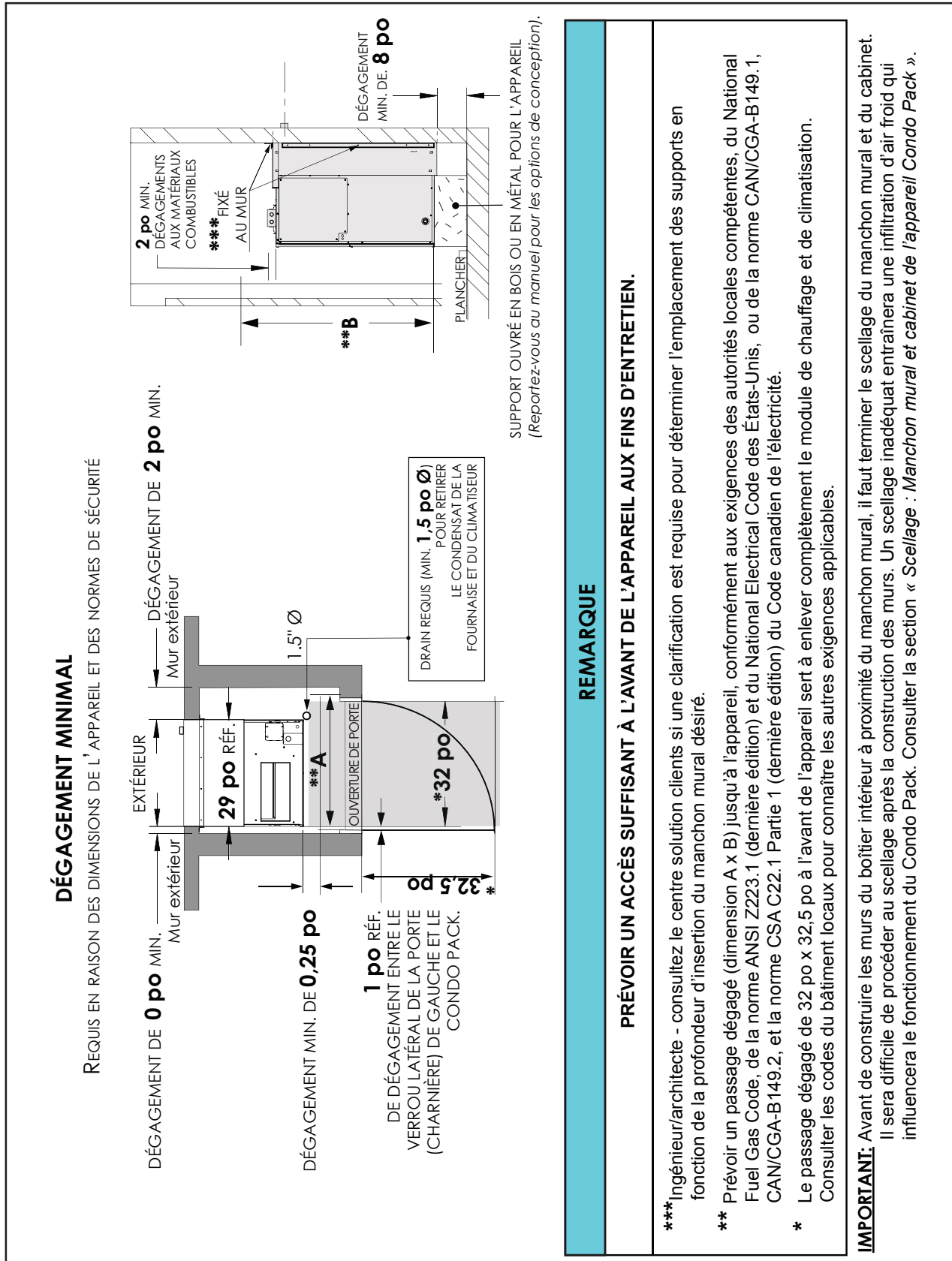


FIG. 4.2.2.A



**IMPORTANT :**  
 LE DÉGAGEMENT VERTICAL MINIMAL ENTRE LE DESSUS DE LA TERMINAISON D'ÉVACUATION D'UN APPAREIL À GAZ ET D'UNE STRUCTURE EN SURPLOMB EST DE 12 po (UN DÉGAGEMENT SUPÉRIEUR À 12 po EST RECOMMANDÉ). CONSULTER LES CODES DU BÂTIMENT LOCAUX POUR CONNAÎTRE LES AUTRES EXIGENCES.

**REMARQUE :**  
 IL EST TOUJOURS RECOMMANDÉ DE MAXIMISER LE DÉGAGEMENT ENTRE LA TERMINAISON D'ÉVACUATION ET LES STRUCTURES ENVIRONNANTES AFIN D'ÉVITER TOUT DOMMAGE, DÉGRADATION ET ACCUMULATION DE GLACE, CAR LES GAZ DE COMBUSTION CONTIENNENT DE LA VAPEUR D'EAU ET SONT HABITUELLEMENT LÉGÈREMENT ACIDES. CONSULTER LE FABRICANT DU REVÊTEMENT DU MUR EXTÉRIEUR POUR OBTENIR PLUS DE RENSEIGNEMENTS.

**REMARQUE \*\*\*** CONSULTER LA FIGURE 4.2.2.A À LA PAGE 14.

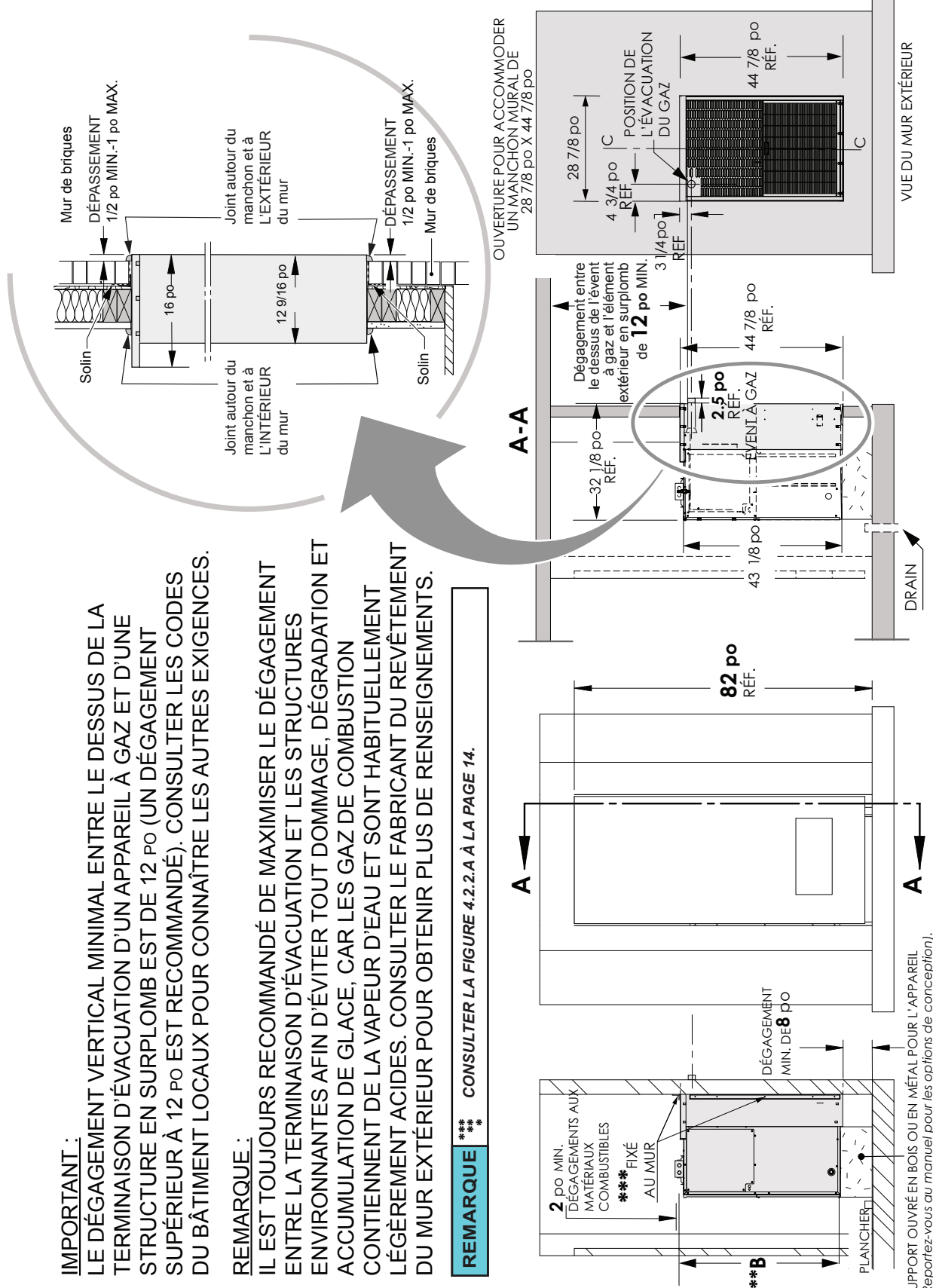


FIG. 4.2.2.B



**⚠ AVERTISSEMENT ⚠**

**CET APPAREIL EST HOMOLOGUÉ POUR INSTALLATION SUR UN PLANCHER COMBUSTIBLE. SEUL UN PLANCHER EN BOIS EST CONSIDÉRÉ COMME UNE SURFACE COMBUSTIBLE.**

**L'APPAREIL NE DOIT PAS ÊTRE INSTALLÉ DIRECTEMENT SUR DU TAPIS OU D'AUTRES MATÉRIAUX COMBUSTIBLES, À L'EXCEPTION DU BOIS.**

**L'INSTALLATION SUR UN MATÉRIAU COMBUSTIBLE (AUTRE QUE LE BOIS) PEUT OCCASIONNER UN INCENDIE, CAUSANT AINSI DES DOMMAGES MATÉRIELS, DES BLESSURES CORPORELLES OU LA MORT.**

**LA ZONE AUTOUR DE L'APPAREIL DOIT ÊTRE PROPRE ET EXEMPTÉ DE TOUT MATÉRIAU COMBUSTIBLE, COMME L'ESSENCE ET D'AUTRES VAPEURS ET LIQUIDES INFLAMMABLES.**

**LE PROPRIÉTAIRE DOIT ÊTRE AVISÉ QUE L'AIRE DU CONDO PACK NE DOIT PAS ÊTRE UTILISÉE COMME PLACARD OU À DES FINS DE RANGEMENT.**

H3.7.1\_FR

Cette conception est homologuée pour une installation murale seulement. Les parties intérieures de l'appareil peuvent être installées dans un placard, en respectant les exigences en matière de dégagements aux matériaux combustibles indiquées sur la plaque d'homologation.

**Les dégagements minimaux par rapport aux matériaux combustibles établis par des tests en usine sont indiqués ci-dessous et sur la plaque signalétique de l'appareil:**

TABLEAU 2

DÉGAGEMENTS MINIMAUX PAR RAPPORT AUX MATÉRIAUX COMBUSTIBLES	
DESSUS	2 po (50.8 mm)
PLÉNUM	1 po (25 mm)
AVANT	0**
ARRIÈRE	0
CÔTÉ DROIT	0*
CÔTÉ GAUCHE	0
FOND	0***
TUYAU	0

\* 2 po min. recommandé de dégagement pour entretien.

\*\* 10 po min. recommandé de dégagement pour entretien. Pour le retrait de l'unité ou des modules, reportez-vous aux dégagements sans obstruction indiqués à la section « **Dégagements minimums** ».

\*\*\* Certifié pour l'installation dans un placard sur un plancher combustible. Seul un plancher en bois est considéré comme une surface combustible.

H9.1

## 4.3 PRÉPARATION DE L'UNITÉ MULTIFONCTION

### REMARQUE

- CET APPAREIL DOIT ÊTRE INSTALLÉ CONFORMÉMENT À TOUS LES CODES EN VIGUEUR.
- CET APPAREIL EST HOMOLOGUÉ POUR L'INSTALLATION DE L'UNITÉ MURALE MULTIFONCTION SEULEMENT.
- CES INSTRUCTIONS D'INSTALLATION ET D'ENTRETIEN DEVRAIENT ÊTRE RANGÉES AVEC L'APPAREIL POUR POUVOIR ÊTRE CONSULTÉES ULTÉRIEUREMENT.

#### Avant d'installer l'appareil dans l'ouverture du mur:

1. Retirez les supports fixant l'appareil à la palette.
2. Si souhaitée, retirez le module de climatisation pour une installation d'armoire plus légère.

### ⚠ IMPORTANT ⚠

1. L'appareil doit être installé à au moins 20 cm (8 po) au-dessus du plancher fini.
  - a. Si l'appareil est installé dans un garage de remisage, toutes les sources d'inflammation de l'appareil (y compris les contacteurs et les moteurs électriques) doivent se trouver à au moins 18 po (457 mm) au-dessus du plancher. L'appareil doit être protégé afin d'éviter qu'il se fasse endommager par les véhicules, conformément à la norme CAN/CSA-B149.
2. L'appareil ne doit pas être entièrement installé à l'extérieur. Cet appareil est conçu pour être installé à l'intérieur et être fixé à un mur extérieur disposant d'une ouverture pour favoriser la circulation de l'air dans le condensateur.
3. **Le côté grillagé de l'appareil doit dépasser le mur extérieur d'au moins ½ po et d'au plus 1 po pour permettre l'écoulement de l'humidité pouvant s'infiltrer dans la section extérieure.**
4. L'appareil DOIT être installé sur le mur extérieur de façon à ce que la partie inférieure de la grille murale se trouve au-dessus du niveau du sol. Une installation sous le niveau du sol permettra à la pluie ou à la neige de s'accumuler dans le manchon mural et la base de l'appareil, ce qui pourrait entraîner une infiltration d'eau à l'intérieur du bâtiment.
5. Le côté grillagé :
  - a. Doit être exempt de tout objet pouvant réduire ou modifier la circulation de l'air. L'appareil doit être installé à au moins 3 pi (0,92 m) d'un compteur d'électricité, d'un compteur de gaz, de régulateurs ou d'équipements de dépannage au Canada, conformément à la norme d'installation CAN/CSA-B149, ou à 4 pi (1,22 m) aux États-Unis, conformément à la norme NFPA 54 et aux codes d'installation ANSI Z223.
  - b. L'évent de l'appareil est situé à l'extérieur de la grille. La distance entre l'appareil et les trottoirs publics, les bâtiments, les fenêtres et les ouvertures du bâtiment doit être conforme au National Fuel Gas Code ANSI Z223.1 ou au code d'installation CAN/CSA-B149, ainsi qu'aux codes locaux.
6. Les murs de maçonnerie doivent avoir un linteau pour soutenir le mur, conformément aux codes du bâtiment nationaux et locaux.
7. L'intérieur de l'appareil doit être installé en tenant compte des dégagements aux surfaces combustibles adjacentes indiqués sur la plaque d'homologation.
8. L'appareil ne doit pas être installé directement sur du tapis, des carreaux de vinyle ou d'autres matériaux combustibles, à l'exception du bois.
9. Afin d'être en mesure de retirer l'unité, une zone de dégagement d'au moins 32,5 po (82,5 cm) doit être maintenue désencombrée devant les portes avant.
10. **Calfeutrez et scellez tous les espaces au-dessus, sur les côtés et au bas de la zone extérieure de la grille en veillant à NE PAS BLOQUER LES OUVERTURES DE DRAINAGE DU BORD INFÉRIEUR. Consultez la section « EMBLEMES ET DÉGAGEMENTS DE L'APPAREIL ».**

## 4.4 ASSEMBLAGE ET INSTALLATION DU MANCHON MURAL

### ⚠ AVERTISSEMENT ⚠

CES INSTRUCTIONS SONT DESTINÉES À AIDER LES TECHNICIENS DE SERVICE QUALIFIÉS À INSTALLER, À RÉGLER ET À FAIRE FONCTIONNER ADÉQUATEMENT L'APPAREIL. LISEZ ATTENTIVEMENT CES DIRECTIVES AVANT DE PROCÉDER À L'INSTALLATION DE L'APPAREIL ET DE LE FAIRE FONCTIONNER. UNE INSTALLATION NON CONFORME, DES AJUSTEMENTS, UN SERVICE OU UN ENTRETIEN INADÉQUATS PEUVENT CAUSER DES DOMMAGES MATÉRIELS, DES BLESSURES CORPORELLES OU LA MORT. POUR OBTENIR DE L'AIDE OU DES RENSEIGNEMENTS SUPPLÉMENTAIRES, CONSULTEZ UN INSTALLATEUR QUALIFIÉ OU UNE AGENCE DE SERVICE.

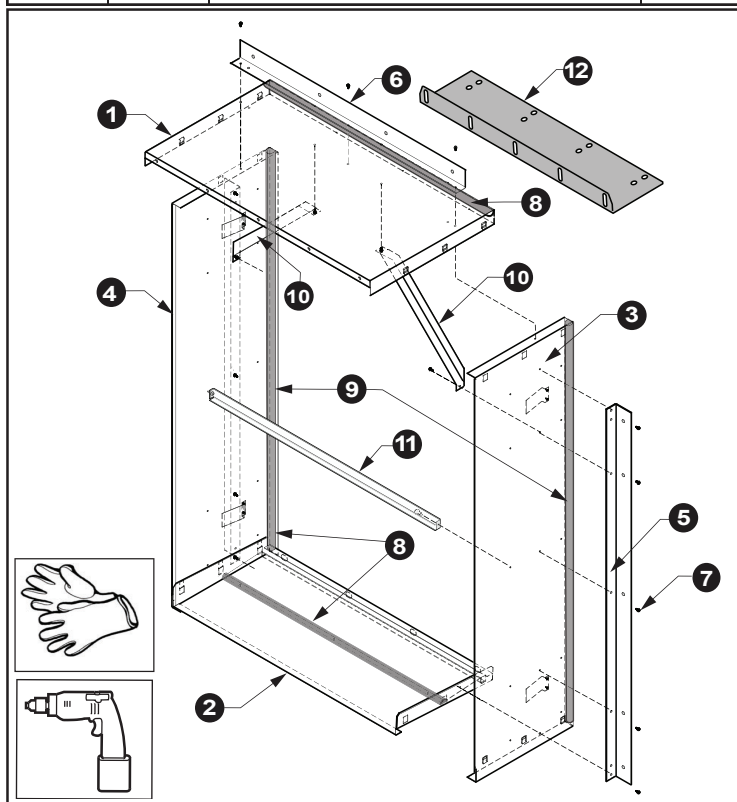
INCLUS DANS LA TROUSSE CWSMUA :

TABLEAU 3

ARTICLE	QTÉ	NOM DE LA PIÈCE	LA FABRICATION DE PIÈCE DESCRIPTION	N° DE PIÈCE	
				CWSMUA	CWSMUA19
1	1	PANNEAU SUPÉRIEUR	PANNEAU, POWDRE DU DESSUS DU MANCHON	W475-0978-(code de couleur)	W475-1317-(code de couleur)
2	1	PANNEAU DE BASE	PANNEAU, POWDRE DE BASE DU MANCHON	W475-0975-(code de couleur)	W475-1314-(code de couleur)
3	1	PANNEAU LATÉRAL DROIT	PANNEAU, POWDRE DROIT DU MANCHON	W475-0977-(code de couleur)	W475-1316-(code de couleur)
4	1	PANNEAU LATÉRAL GAUCHE	PANNEAU, POWDRE GAUCHE DU MANCHON	W475-0976-(code de couleur)	W475-1315-(code de couleur)
5	2	SUPPORT LATÉRAL	SUPPORT LATÉRAL	W080-1444	
6	1	SUPPORT SUPÉRIEUR	SUPPORT DU DESSUS	W080-1445	
7	25	VIS 8-32-3/8 EN ACIER TRI-LOBULAR	VIS, NO 8-32 x .315 RONDELLE QUAD HEX	W570-0162	
10	2	PIÈCE DE RENFORT	PIÈCE DE RENFORT, ÉQUERRAGE	W080-1433	
11	1	PIÈCE DE RENFORT (CENTRALE)	PIÈCE DE RENFORT	W075-0019	
12*	1	*SUPPORT DU PANNEAU SUPÉRIEUR	*SUPPORT, PANNEAU SUPÉRIEUR (CP)	s.o.	*W080-1721

ILLUSTRÉS MAIS NON INCLUS DANS LA TROUSSE CWSMUA :

ARTICLE	QTÉ	NOM DE LA PIÈCE	LA FABRICATION DE PIÈCE DESCRIPTION	N° DE PIÈCE
8	12,5 pieds	Joint d'étanchéité, canal en D, de 28,9 po	JOINT D'ÉTANCHÉITÉ, CANAL D EPDM (compris dans les sacs Condo Pack)	W290-0256
9		Joint d'étanchéité, canal en D, de 44 po		



### ⚠ IMPORTANT ⚠

\*NE PAS JETER L'ARTICLE N° 12 (SUPPORT DU PANNEAU SUPÉRIEUR, W080-1721). CE SUPPORT SERT À FIXER LE CAISSON DU CONDO PACK AU MUR LORSQU'ON UTILISE LE MANCHON MURAL CWSMUA19.

Le manchon mural est conçu pour être installé lors de la construction de l'édifice afin de permettre un bon accès à l'unité murale multifonction et d'en faciliter l'installation une fois la construction terminée.

#### LÉGENDE

1. Panneau supérieur
2. Panneau de base
3. Panneau latéral droit
4. Panneau latéral gauche
5. Support latéral
6. Support supérieur
7. Vis 8-32-3/8 en acier Tri-Lobular
8. Joints d'étanchéité, canal en D, de 28.9 po
9. Joints d'étanchéité, canal en D, de 44 po
10. Pièce de renfort
11. Pièce de renfort (centrale)
12. \*Support du panneau supérieur

**Dimensions du manchon mural**

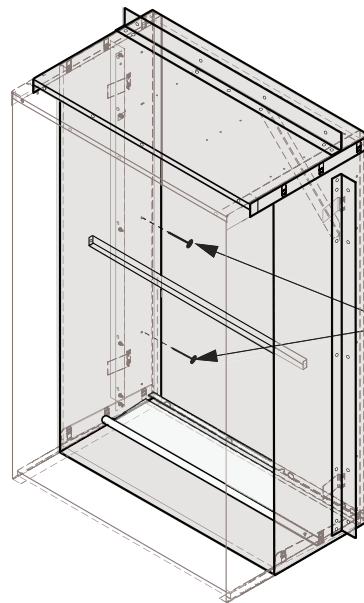
**SCHÉMA (B)**

**DEUX MODÈLES DE MANCHONS MURAUX SONT ILLUSTRÉS CI-DESSOUS :**

- CWSMUA
- CWSMUA19

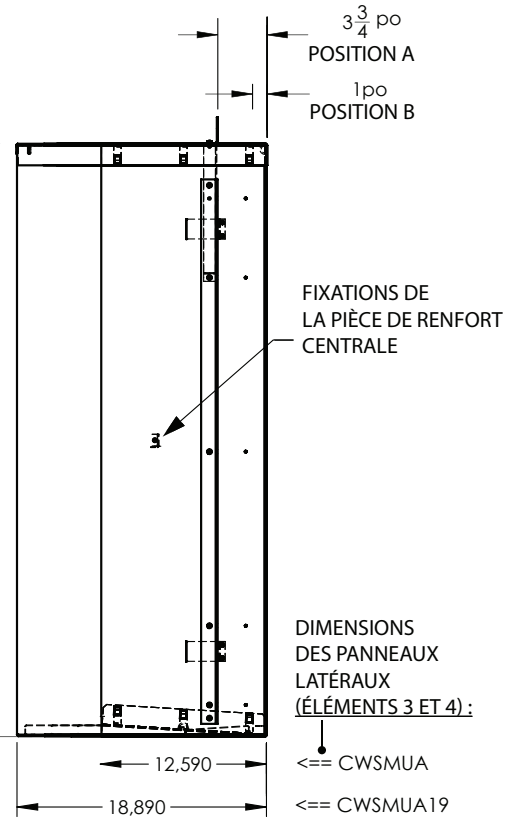
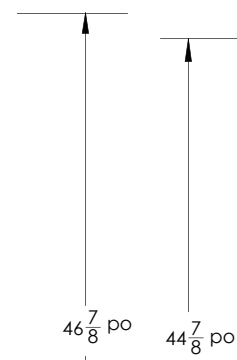
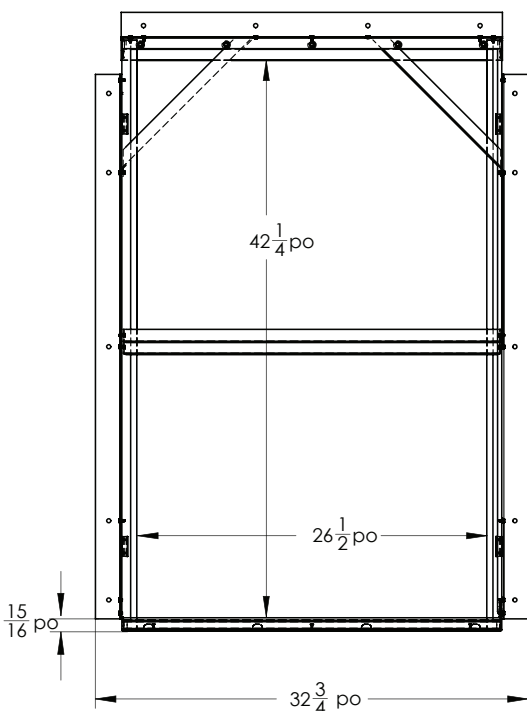
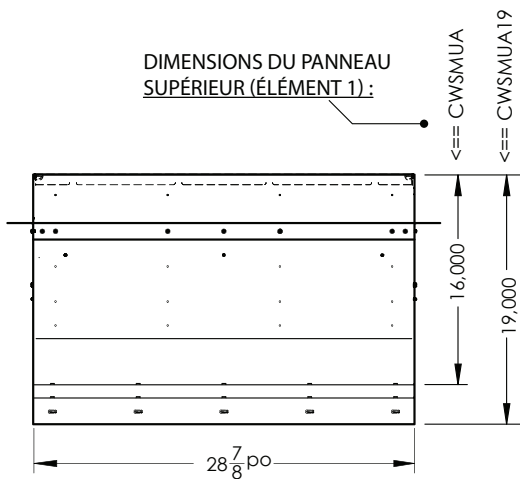
**REMARQUE:**

POUR PLUS DE SOLIDITÉ ET POUR RÉDUIRE LES VIBRATIONS DU SUPPORT MURAL, DES SUPPORTS PEUVENT ÊTRE UTILISÉS POUR FIXER LE MANCHON MURAL À LA SOUS-STRUCTURE DE L'ÉDIFICE, ET CE, DE L'INTÉRIEUR OU DE L'EXTÉRIEUR DE L'ÉDIFICE. INGÉNIEUR/ARCHITECTE – CONSULTEZ LE CENTRE SOLUTION CLIENTS SI UNE CLARIFICATION EST REQUISE POUR DÉTERMINER L'EMPLACEMENT DES SUPPORTS EN FONCTION DE LA PROFONDEUR DE MANCHON MURAL DÉSIRÉE.



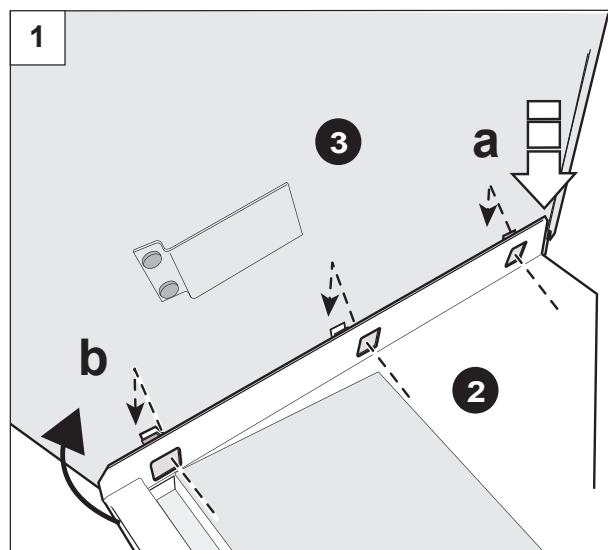
LE MANCHON MURAL EST FIXÉ DIRECTEMENT À LA SOUS-STRUCTURE DU MUR.

**DIMENSIONS DU PANNEAU SUPÉRIEUR (ÉLÉMENT 1) :**

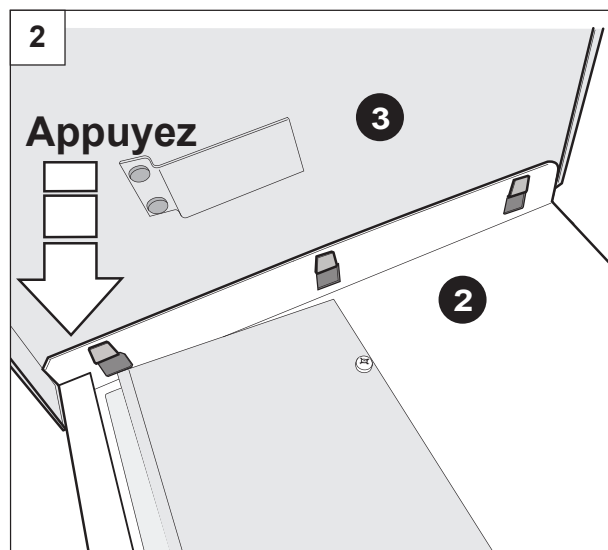


### 4.4.1 Assemblage du manchon mural

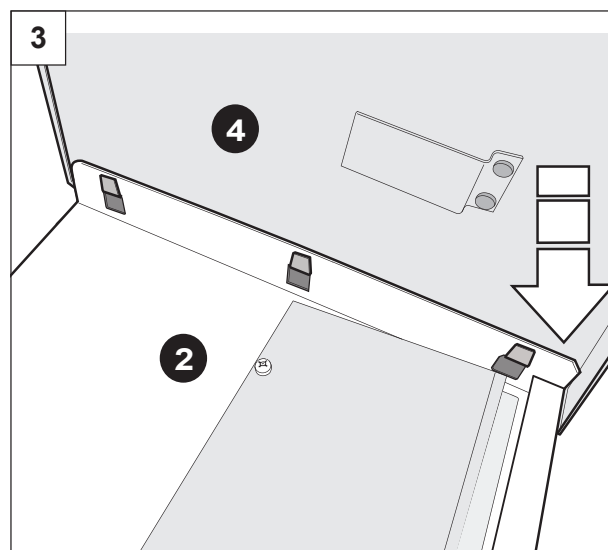
1. Placez le panneau de base (2) sur le plancher et fixez le panneau latéral droit (3) :
  - a. Placez le panneau de base (2) de façon à ce qu'il soit appuyé derrière les brides du panneau latéral (3).
  - b. Insérez les attaches du panneau dans les encoches (FIG. 1).



2. Appuyez fermement pour fixer le panneau de base en place (FIG. 2).

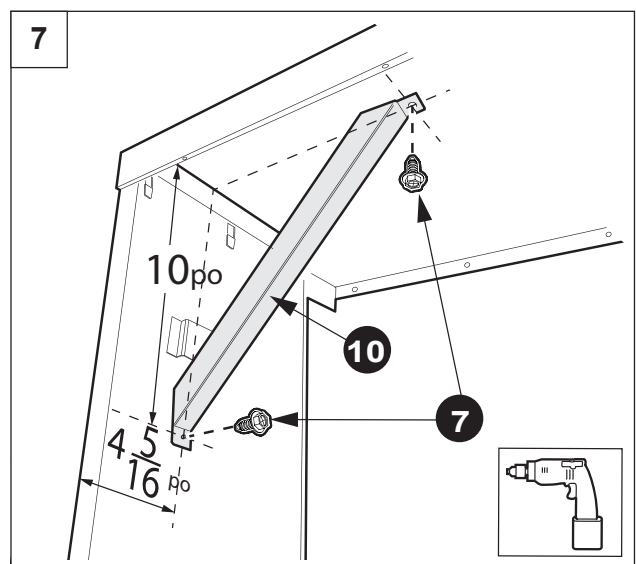
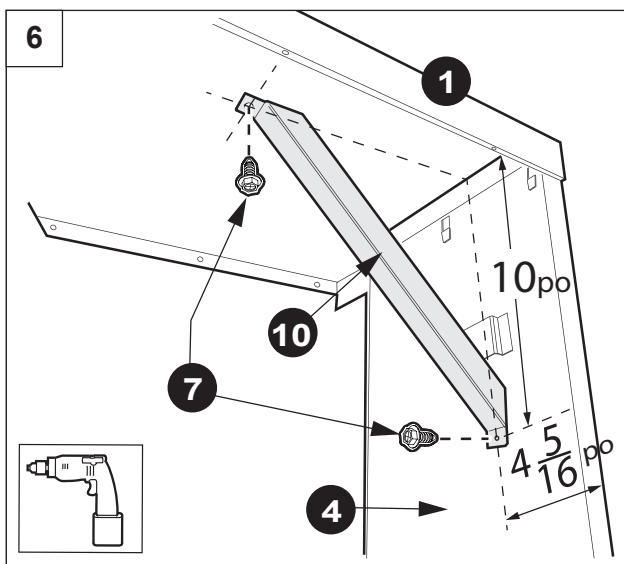
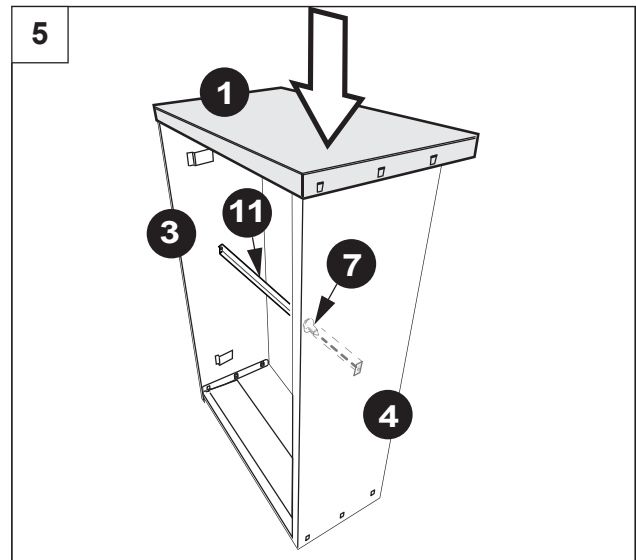
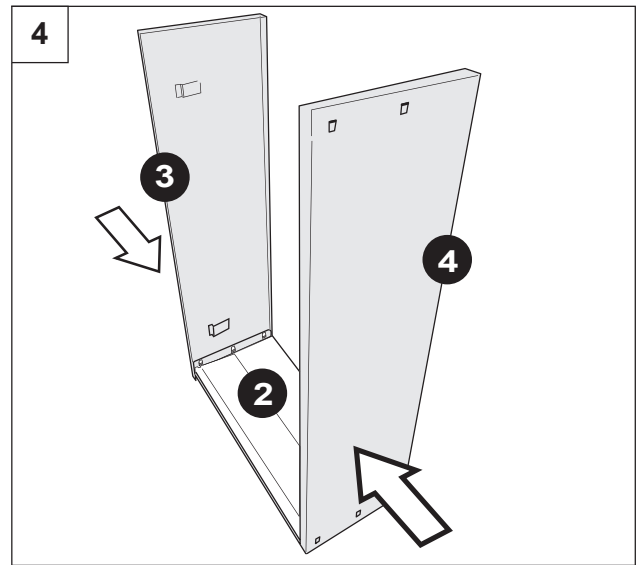


3. Fixez le panneau de gauche (4) au panneau de base (2) (FIG. 3). Répétez l'étape 2.



4. Assurez-vous que les panneaux latéraux de gauche et de droite (3) et (4) sont parallèles. Vérifiez qu'ils sont bien fixés au panneau de base (2), voir la (FIG. 4).
5. Fixez le panneau supérieur (1) aux panneaux latéraux de gauche et de droite (3) et (4). Alignez les ouvertures et fixez l'assemblage en insérant les attaches dans les encoches (FIG. 5).
6. Fixez la pièce de renfort (10) en la vissant (7), de l'intérieur, aux panneaux supérieurs et latéraux.  
Fixez la pièce de renfort (10) aux panneaux latéraux (3) et (4) par les trous de 1/8 po situés 10 po sous la partie supérieure et à 4 5/16 po de la bride extérieure (FIG. 6. et FIG. 7).
7. À l'aide de deux vis de montage (7), installez la pièce de renfort centrale (11) d'un bout à l'autre du manchon mural, comme il est indiqué dans la FIG. 5.

**REMARQUE :** Ne retirez pas les pièces de renfort (10) et (11) du manchon mural **si vous n'envisagez pas d'installer le Condo Pack immédiatement.**

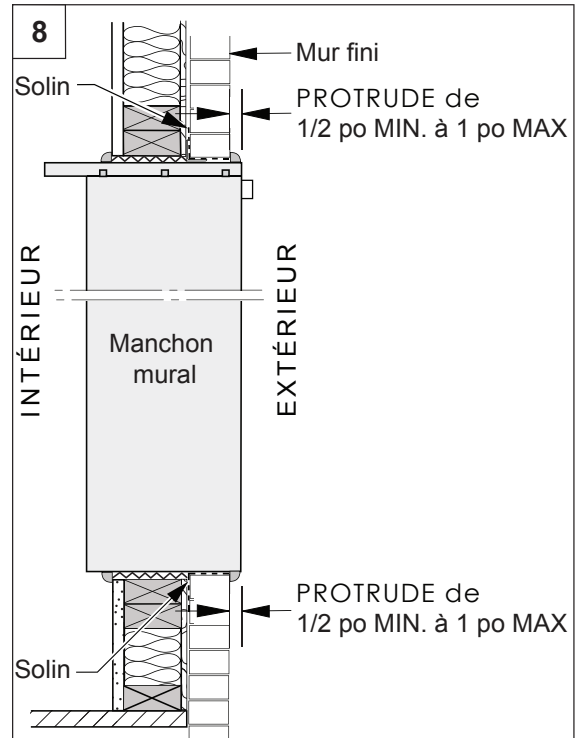


#### 4.4.2 Installation du manchon mural

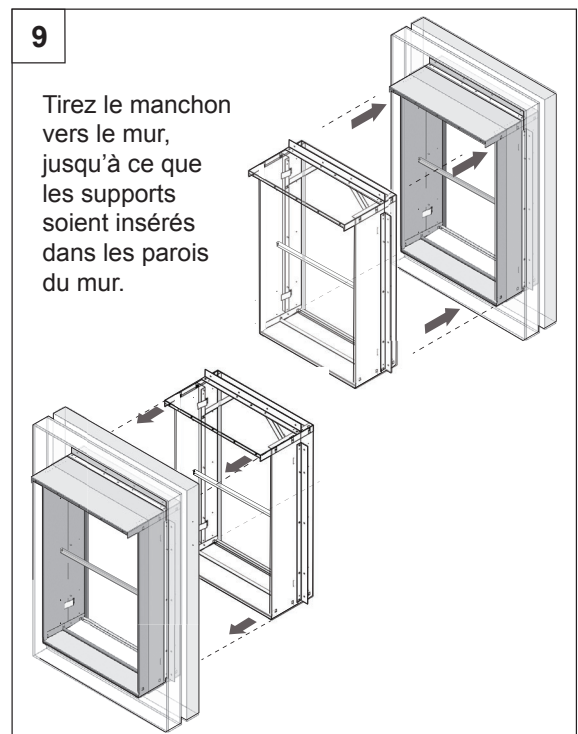
### ⚠ AVERTISSEMENT ⚠

L'ÉQUIPE D'INSTALLATION DOIT SE CONFORMER À TOUTES LES RECOMMANDATIONS LOCALES ET NATIONALES EN MATIÈRE DE PRATIQUES DE TRAVAIL SÉCURITAIRE, Y COMPRIS L'UTILISATION DE DISPOSITIF ANTICHUTE.

8. Une fois installé, le manchon mural **doit** dépasser le mur fini extérieur d'**au moins 1/2 po et d'au plus 1 po** afin que l'eau puisse être évacuée adéquatement par les trous de drainage du panneau inférieur. Voir la figure 8.



9. Vous pouvez installer le manchon mural de l'intérieur ou de l'extérieur du bâtiment (FIG. 9). La position des supports latéral et supérieur doit être ajustée en fonction de la méthode d'installation et du matériau de construction.

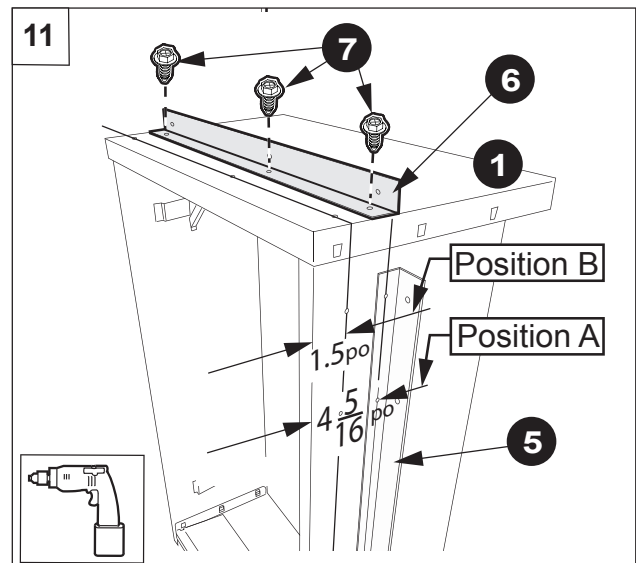
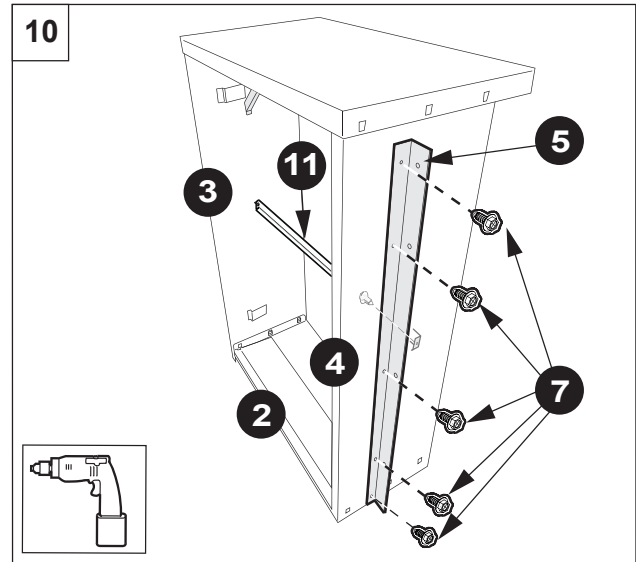


H68.3.4

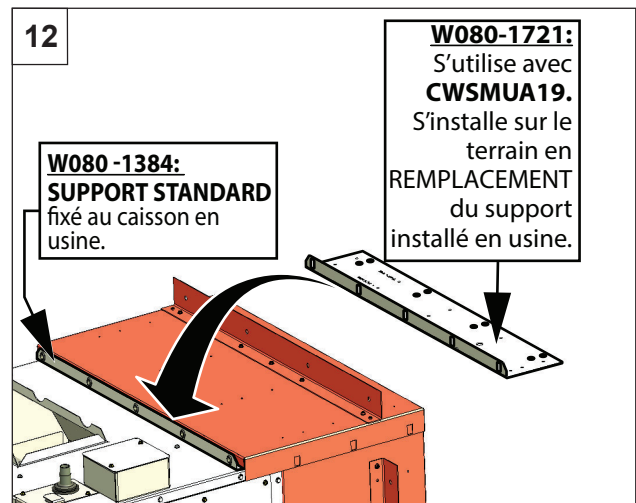


**REMARQUE :** Les emplacements des supports suivants servent aux installations de l'appareil lorsque le manchon mural est fixé à partir de l'EXTÉRIEUR de l'édifice. Pour les installations nécessitant la fixation du manchon mural à l'INTÉRIEUR de l'édifice, Les supports latéraux (5) doivent être fixés au mur INTÉRIEUR. Ils devront donc être déplacés sur le manchon mural (il pourra s'avérer nécessaire de créer de nouveaux emplacements de vissage).

- 10.** Fixez les supports latéraux (5) aux panneaux latéraux (3) et (4) et au panneau de base avec cinq vis (7) à travers la bride la plus courte (FIG. 10).
- 11.** Sélectionnez les trous de fixation en fonction du matériau de construction du mur (briques, stuc, revêtements, etc.) :
- Pour les supports latéraux (5), utilisez le trou de fixation A (Position A) ou le trou de fixation B (Position B) prépercés indiqués sur la FIG. 11 en fonction du type de matériau de construction.
  - Fixez le support supérieur (6) au panneau supérieur (1) en utilisant au moins trois des vis (7) fournies (FIG. 11). Pour ce support (6), utilisez le trou de fixation A (Position A) ou le trou de fixation B (Position B) indiqués sur la FIG. 11.



**REMARQUE :** Lorsque vous utilisez un manchon mural de type **CWSMUA19** (autre que le manchon mural CWSMUA standard), n'oubliez pas de remplacer le support du panneau supérieur standard (W080-1384) par le support du panneau supérieur **modifié** (W080-1721) afin de bien fixer le cabinet au manchon mural (FIG. 12).



**12. Installation du manchon mural dans l'ouverture du mur :**  
En gardant les trous de drainage face vers l'extérieur, tirez le manchon vers le mur, jusqu'à ce que les supports soient insérés dans les parois du mur

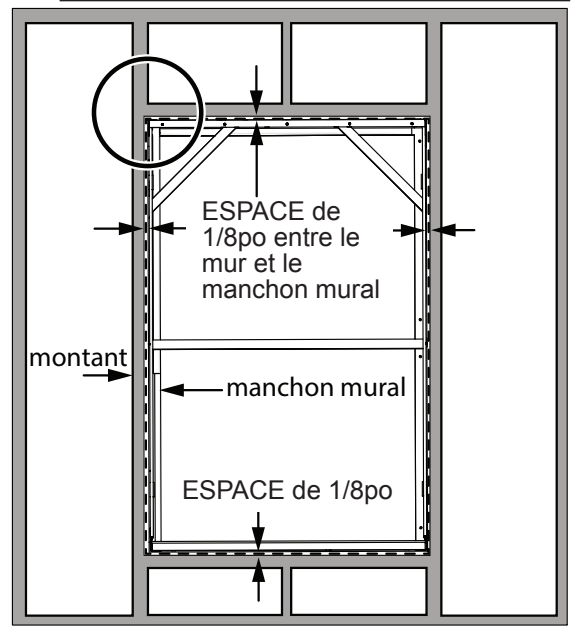
- Laissez un espace de  $\frac{1}{4}$  po entre le mur et le manchon mural afin d'y insérer de la mousse isolante à faible expansion (FIG. 13).  
Veillez à ce que le manchon soit parallèle à l'ouverture du mur. Le manchon mural doit être bien aligné pour que le Condo Pack puisse y être inséré.
- En utilisant d'attaches appropriées en fonction du matériau de construction, fixez le manchon mural au bâtiment :
  - Fixez les supports au mur en vissant les vis dans les cinq trous de chaque côté.
  - Fixez les panneaux latéraux dans le mur porteur à l'aide des attaches.

### ⚠ IMPORTANT ⚠

**LE MANCHON DOIT ÊTRE FIXÉ AU MUR PORTEUR ET NON AU MUR FINI.**

**LES MURS DE MAÇONNERIE DOIVENT AVOIR UN LINTEAU POUR SOUTENIR LE MUR, CONFORMÉMENT AUX CODES DU BÂTIMENT NATIONAL ET LOCAL.**

**13** Laissez un espace de  $\frac{1}{8}$ po entre le mur et le manchon mural afin d'y insérer de la mousse isolante à faible expansion. Si nécessaire, en utilisant des cales, assurez-vous que le manchon est de niveau et affleurant.



#### 4.4.3 Scellage : Manchon mural et construction du mur

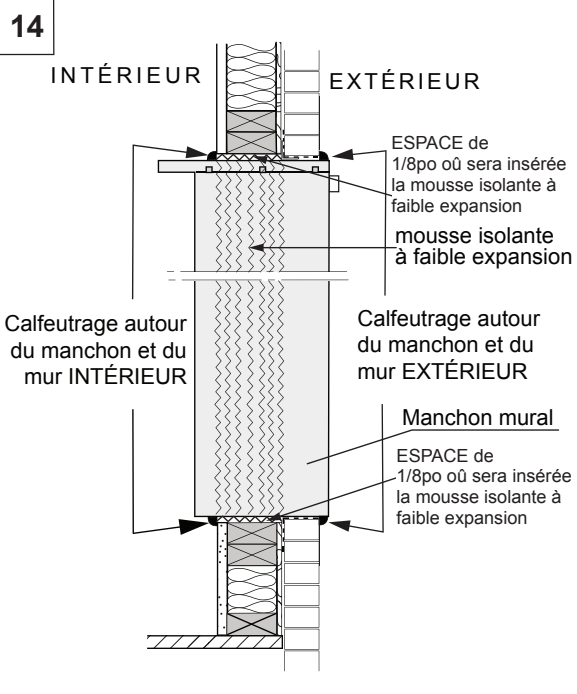
**13.** Une fois la finition du mur terminée, veillez à remplir l'espace entre le manchon mural et le mur de mousse isolante à faible expansion (FIG. 13 et FIG. 14).

Laissez la mousse durcir pendant au moins 8 heures.

- Calfeutrez et scellez tous les joints et toutes les ouvertures qui se trouvent entre le manchon mural et les murs extérieurs et intérieurs finis (FIG. 14). Scellez les espaces en utilisant un produit de calfeutrage non durcissant. Tous les joints doivent être imperméables pour empêcher l'infiltration d'air, d'humidité et d'eau dans le bâtiment.
- L'ouverture du mur allant du haut au bas du manchon mural peut être protégée par un solin si nécessaire (FIG. 8).
- Tous les trous non utilisés doivent être scellés.
- Préparez le Condo Pack en vue de son installation. Pour obtenir plus de renseignements sur le support de l'appareil, consultez la section « Support de l'appareil ».

### ⚠ IMPORTANT ⚠

**PRENEZ SOIN DE NE PAS OBSTRUER LES ORIFICES DE DRAINAGE DU PANNEAU DE BASE.**



## 4.5 SUPPORT DE L'APPAREIL

Le manchon mural n'est pas conçu pour être l'unique support de l'appareil. Par conséquent, un soutien supplémentaire doit être assuré par une structure rigide qui supporte le poids de l'appareil et fournit une interface pour les conduits de retour d'air qui doit quitter la pièce.

### OPTIONS de construction d'une structure de soutien :

#### OPTION 1 (selon les figures 15 et 16) :

- Tout d'abord, une plateforme d'appui doit être construite (voir la FIG. 15). Elle peut être faite de contreplaqué et de bois de charpente. La FIG. 16 montre l'alignement du haut de la plateforme avec le panneau de base du manchon mural.

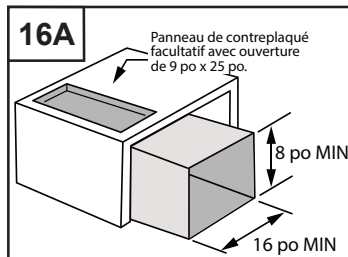
- **Hauteur minimale de la plateforme = 8 po (20,3 cm)**
- **Largeur de la plateforme (recommandée) = 29 po (73,7 cm)**
- **\*\* Profondeur de plateforme recommandée = section transversale d'au moins 8 po (20,3 cm) x 16 po (40,65 cm) afin de permettre l'installation des conduits de retour d'air. Consultez les figures 15 et 16.**

Dans certaines municipalités, les matières combustibles ne doivent pas être exposées au retour d'air. Dans ce cas, une structure de soutien peut être construite à l'aide des concepts de l'OPTION 2 ou de l'OPTION 3, selon la disponibilité des matériaux.

#### OPTION 2:

**Étape 1 :** Construisez une boîte à 3 côtés ou un cadre à 2 côtés qui soit capable de supporter le poids du Condo Pack (figure 16A).

Un contreplaqué rectangulaire présentant une ouverture de 9 po x 25 po (facultatif) peut être installé sur cette structure pour assurer un soutien supplémentaire.

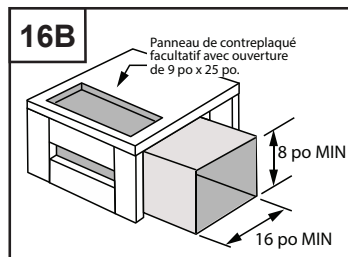


**Étape 2 :** Installez sur l'appareil un conduit de retour en métal au moyen d'un raccord de 7 po x 24 po à une hauteur minimale de 8 po.

#### OPTION 3:

**Étape 1 :** Construisez un cadre en bois à 3 ou 2 côtés qui soit capable de supporter le poids du Condo Pack (figure 16B).

Un contreplaqué rectangulaire présentant une ouverture de 9 po x 25 po (facultatif) peut être installé sur cette structure pour assurer un soutien supplémentaire.



**Étape 2 :** Installez sur l'appareil un conduit de retour en métal au moyen d'un raccord de 7 po x 24 po à une hauteur minimale de 8 po.

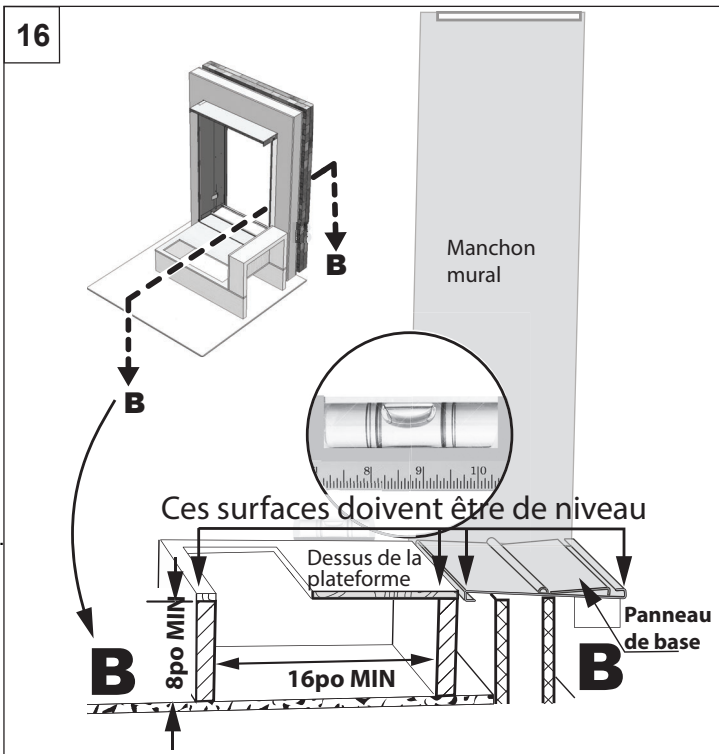
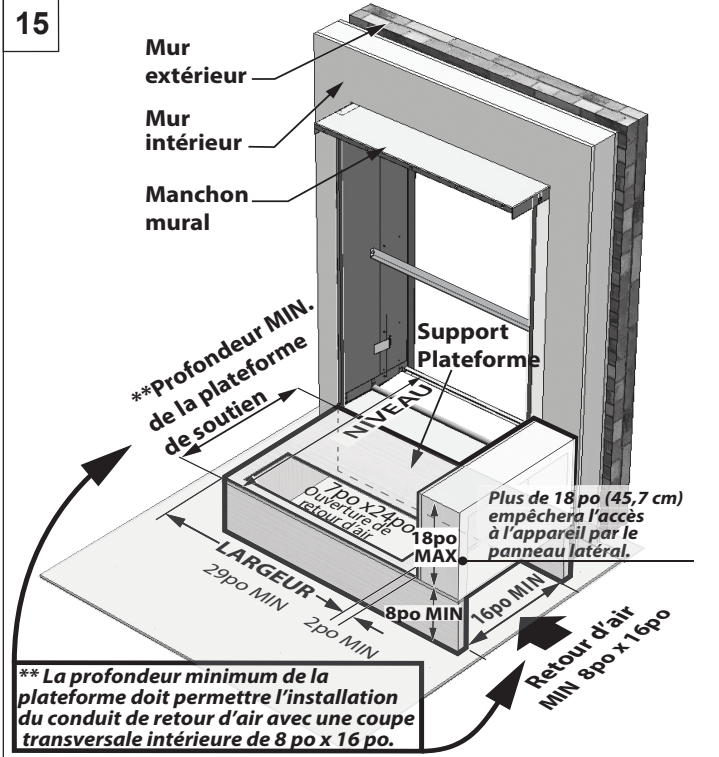
### Avant de construire la structure de soutien, veuillez prendre en considération les éléments suivants :

- Mesurez soigneusement l'appareil et choisissez un matériau de construction solide pour la structure de soutien.
- L'appareil doit être soutenu de façon à en permettre la mise à niveau.

## ⚠ ATTENTION ⚠

**PORTEZ TOUJOURS DES LUNETTES DE SÉCURITÉ LORSQUE VOUS UTILISEZ DES OUTILS! LE SERRAGE EXCESSIF DES VIS PEUT ABÎMER LES TROUS CRANTÉS. LISEZ TOUTES LES INSTRUCTIONS D'ASSEMBLAGE AVANT DE PROCÉDER.**

MIO

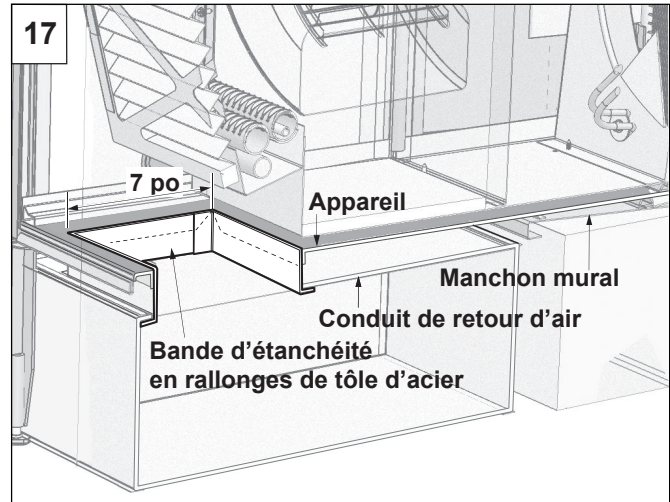


- c. Un matériau antivibrations supplémentaire (qui doit être non combustible) peut être utilisé au besoin.
- d. Veillez à ce que la jonction entre la plateforme et l'ouverture de retour d'air du Condo Pack soit d'au moins 7 po (17,80 cm) X 24 po (60,96 cm). La plateforme doit être alignée avec l'ouverture de retour d'air à la base du Condo Pack.
- e. La structure de soutien et le manchon mural doivent procurer un soutien solide et au niveau à l'appareil et doivent permettre de retourner l'air par les conduits dans l'espace situé sous l'appareil.
- f. Le solin entre l'appareil et les conduits de retour d'air (sous la structure de soutien) sera appliqué ultérieurement, lors de l'installation de prolongements en feuilles d'acier (taillées sur mesure). Voir la (FIG. 17).

### ⚠ IMPORTANT ⚠

**LE SOLIN DOIT SCELLER L'ESPACE ENTRE L'ENTRÉE DE RETOUR D'AIR À LA BASE DU CABINET ET LA CHAMBRE DE RETOUR D'AIR AFIN D'ÉVITER L'ASPIRATION D'AIR DE SORTIE QUI SE TROUVE DANS L'ESPACE CONTENANT L'APPAREIL.**

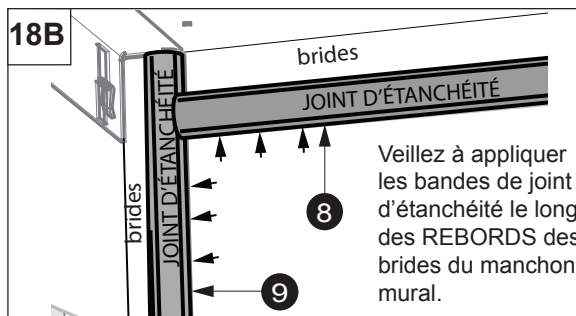
**CONSULTEZ LA SECTION 4.8.**



## 4.6 APPLICATION DE JOINTS D'ÉTANCHÉITÉ SUR LE MANCHON MURAL

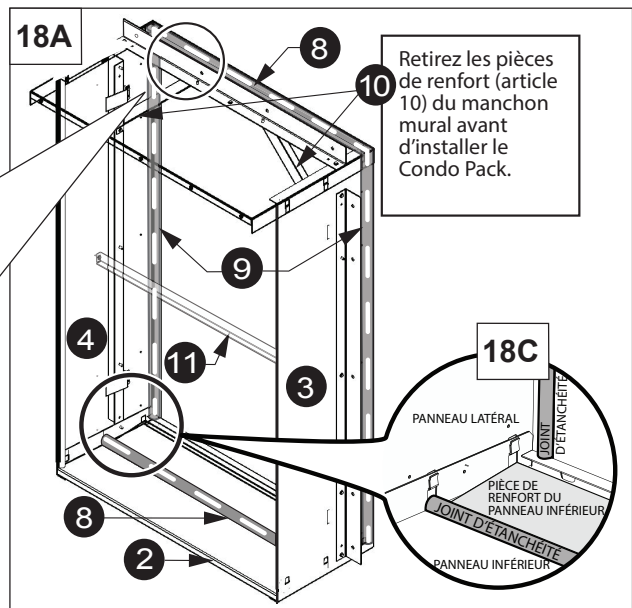
### Avant d'installer le Condo Pack dans le manchon mural :

- a. Retirez les pièces de renfort (10) et (11) du manchon mural.



- b. Appliquez les bandes de joint d'étanchéité autoadhésives en D (8) et (9) sur la surface intérieure des brides avant du manchon mural, comme l'indique la FIG. 18B, ainsi que sur le panneau inférieur (2), comme l'indique la FIG. 18C.

**Veillez à appliquer les bandes de joint d'étanchéité le long des REBORDS des brides du manchon mural (FIG. 18B).**



### ⚠ IMPORTANT ⚠

**ASSUREZ-VOUS QUE TOUTES LES SURFACES (OÙ LE JOINT DOIT ÊTRE APPLIQUÉ) SONT PROPRES, SÈCHES ET CHAUDES (POUR FAVORISER UNE MEILLEURE ADHÉRENCE).**



## 4.7 INSTALLATION DE L'UNITÉ MULTIFONCTION

### Procédure

1. Vérifiez que les bagues d'isolement sont installées dans les cinq trous sur le support supérieur.
2. Placez le Condo Pack le plus près possible de l'ouverture du mur (FIG. 4.6.A). Faites glisser délicatement l'appareil dans le manchon mural (consultez les instructions 4.4 ASSEMBLAGE ET INSTALLATION DU MANCHON MURAL) afin que l'avant de l'appareil soit en contact avec les brides avant du manchon mural.

### Pour faciliter l'installation (FACULTATIF) :

- a. Installez le cabinet dans le manchon mural sans climatiseur.
- b. Faites glisser le climatiseur dans un second temps, lorsque le cabinet est en place (FIG. 4.6.B).

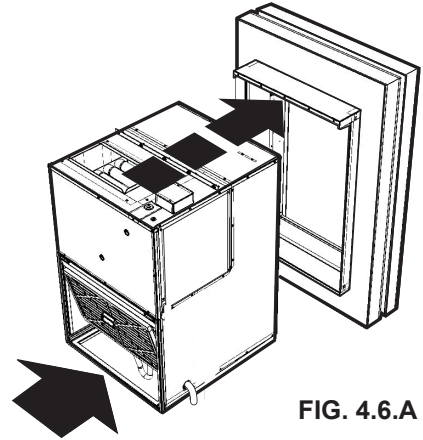
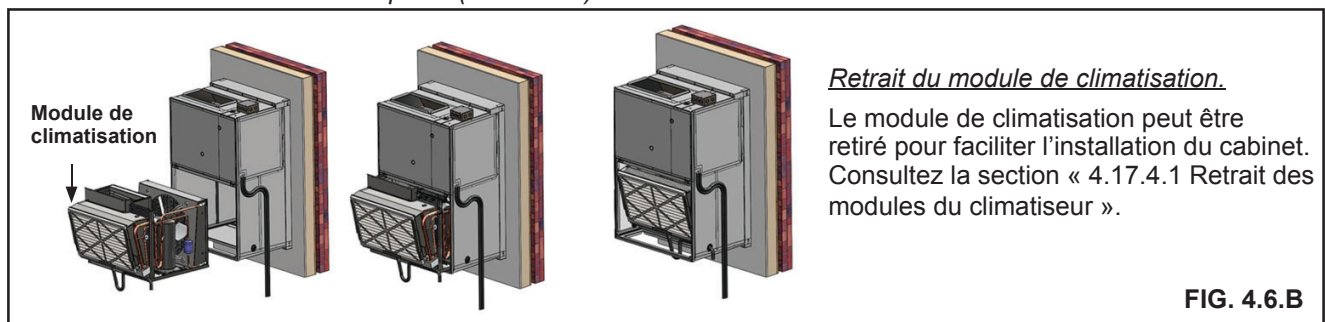


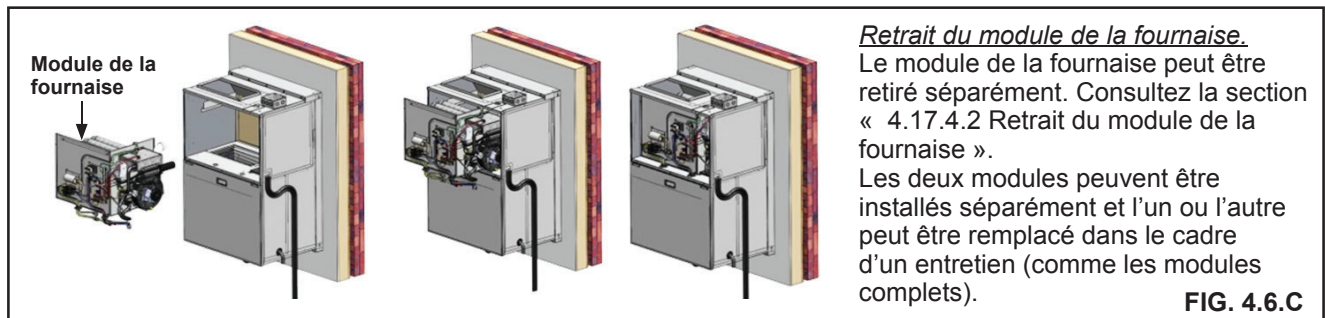
FIG. 4.6.A



### Retrait du module de climatisation.

Le module de climatisation peut être retiré pour faciliter l'installation du cabinet. Consultez la section « 4.17.4.1 Retrait des modules du climatiseur ».

FIG. 4.6.B



### Retrait du module de la fournaise.

Le module de la fournaise peut être retiré séparément. Consultez la section « 4.17.4.2 Retrait du module de la fournaise ».

Les deux modules peuvent être installés séparément et l'un ou l'autre peut être remplacé dans le cadre d'un entretien (comme les modules complets).

FIG. 4.6.C

- c. Le module de la fournaise peut également être retiré séparément (FIG. 4.6.C). Consultez la section « 4.17.4.2 Retrait du module de la fournaise ».
3. Utilisez une rondelle plate avec chaque vis 1/4 po-20 x 1 1/4 po. Fixez l'appareil Condo Pack au manchon mural : placez les bagues d'isolement et vissez cinq vis 1/4 po dans les trous du support supérieur du manchon mural (voir FIG. 4.6.D).

## REMARQUE

**LE SERRAGE EXCESSIF DES VIS DÉFORMERA LES BAGUES D'ISOLATION ET RÉDUIRA LEUR EFFICACITÉ.**

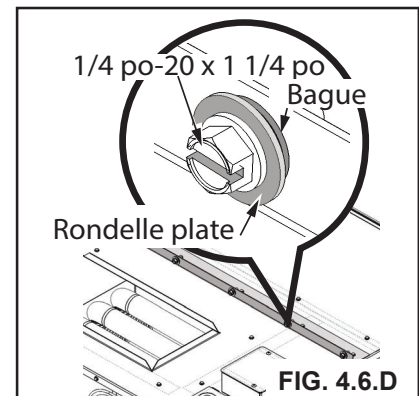


FIG. 4.6.D

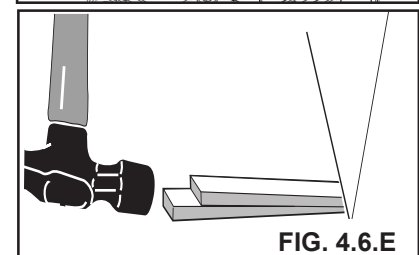
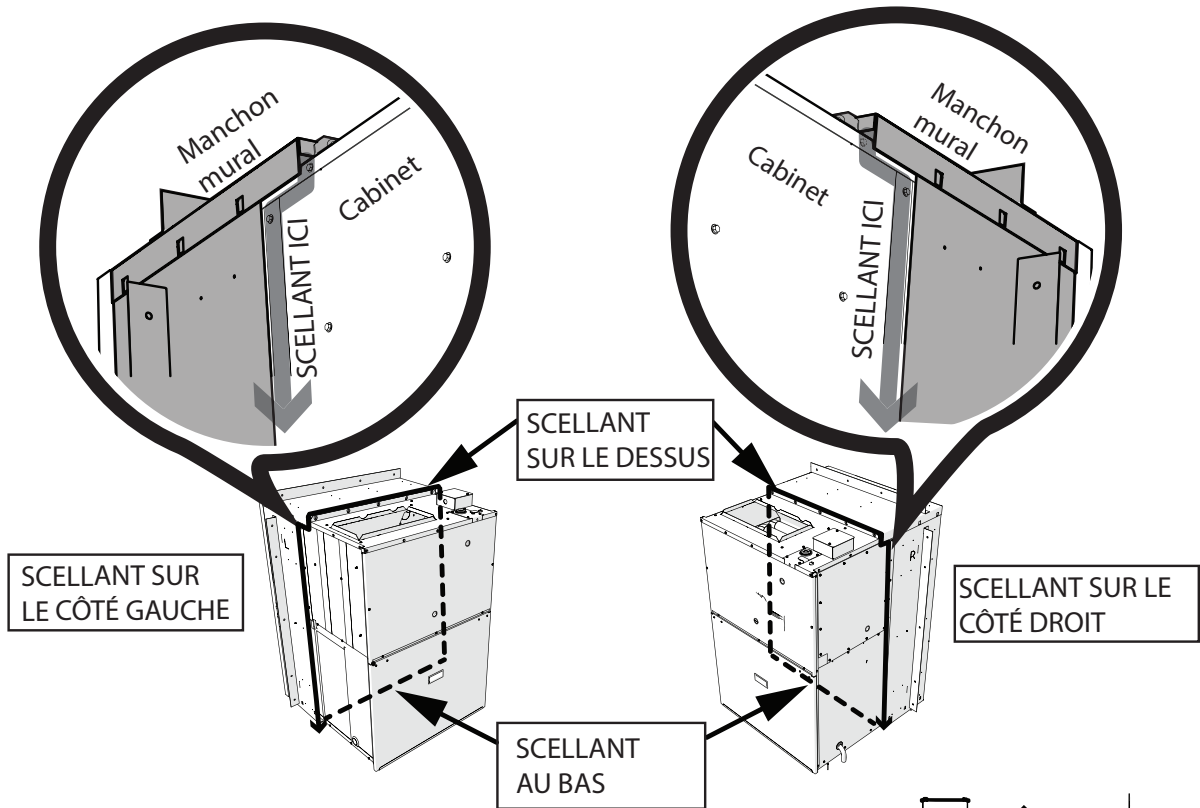


FIG. 4.6.E

4. Calfeutrez et scellez tous les espaces au-dessus, sur les côtés et au bas de la zone extérieure de la grille en veillant à ne pas bloquer les ouvertures de drainage du bord inférieur.
5. Insérez des cales (FIG. 4.6.E) entre le support de l'appareil (schéma B) et les coins inférieurs à l'arrière du cabinet pour éviter des charges de torsion sur les murs structurels

#### 4.7.1 SCELLAGE : Manchon mural et cabinet de l'appareil Condo Pack

19



Scellez l'espace entre le manchon mural et le cabinet en utilisant un produit de calfeutrage non durcissant ou de la mousse isolante à faible expansion pour empêcher l'infiltration de neige, d'eau, d'humidité et d'air.

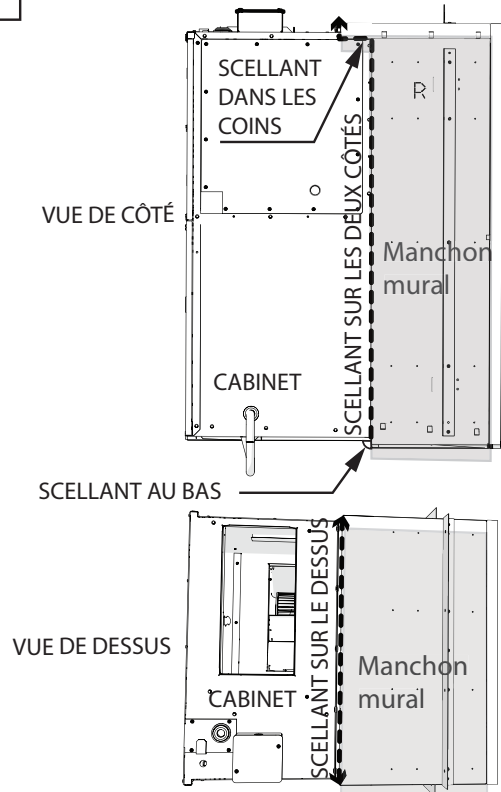
### ⚠ IMPORTANT ⚠

L'ESPACE ENTRE LE MANCHON MURAL ET LE CABINET DOIT ÊTRE ENTIÈREMENT SCELLÉ DES QUATRE CÔTÉS POUR EMPÊCHER L'INFILTRATION D'HUMIDITÉ ET D'AIR.

### ⚠ AVERTISSEMENT ⚠

CES INSTRUCTIONS SONT DESTINÉES À AIDER LES TECHNICIENS DE SERVICE QUALIFIÉS À INSTALLER, À RÉGLER ET À FAIRE FONCTIONNER ADÉQUATEMENT L'APPAREIL. LISEZ CES INSTRUCTIONS ATTENTIVEMENT AVANT DE PROCÉDER À L'INSTALLATION DE L'APPAREIL ET DE LE FAIRE FONCTIONNER.

UNE INSTALLATION NON CONFORME, OU DES RÉGLAGES, UN SERVICE OU UN ENTRETIEN INADÉQUATS PEUVENT CAUSER DES DOMMAGES MATÉRIELS, DES BLESSURES CORPORELLES OU LA MORT. POUR OBTENIR DES RENSEIGNEMENTS ET DE L'AIDE, CONSULTEZ UN INSTALLATEUR QUALIFIÉ OU UNE ENTREPRISE MULTISERVICE.



## 4.8 SYSTÈME DE CONDUITS

### 4.8.1 Conduits d'alimentation d'air

#### ⚠ IMPORTANT ⚠

L'AIR SOUFLÉ ET L'AIR DE RETOUR DOIVENT ÊTRE GAINÉS À L'APPAREIL, À PARTIR D'UNE PIÈCE À L'EXTÉRIEUR DE L'ENCEINTE DE L'APPAREIL.

LE RACCORDEMENT DES CONDUITS D'ALIMENTATION D'AIR (PLÉNUM) DOIT ÊTRE AU MOINS DE LA MÊME DIMENSION QUE L'OUVERTURE D'ALIMENTATION D'AIR DE L'APPAREIL. SCHELLEZ LES CONDUITS D'ALIMENTATION D'AIR AU CAISSON DE L'APPAREIL, AUX MURS, AU PLAFOND OU AU PLANCHER.

Les dimensions et la construction du système de conduits doivent être conformes aux normes de l'industrie:

Le conduit de sortie peut être muni d'un panneau d'accès amovible permettant d'observer l'échangeur de chaleur pendant l'entretien de l'appareil. Notez qu'une inspection complète de l'échangeur de chaleur est possible étant donné que la fournaise est un module amovible. Il est également à noter que le couvercle empêche les fuites.

- Pour bien fonctionner, cet appareil requiert une circulation d'air adéquate. Si la circulation d'air est insuffisante, l'appareil risquerait de fonctionner de façon irrégulière et à haute température, ce qui pourrait endommager l'échangeur de chaleur. Par contre, une circulation d'air excessive rendrait le système de conduits bruyant et entraînerait des conséquences désagréables, comme des courants d'air inconfortables. La chute de pression statique totale du système de distribution d'air (incluant les filtres) doit être d'au plus 0,5 po CE. Il est important d'installer des conduits dont la taille permet le passage des plus grands volumes d'air pour le chauffage ou le refroidissement fournis par ce modèle.
- UN RACCORD FLEXIBLE est un dispositif efficace pour éviter la transmission, par les conduits et vers d'autres aires de la maison, de bruits mécaniques provenant de la fournaise. En cas d'utilisation de raccords flexibles, assurez-vous que le conduit adjacent est supporté de façon indépendante.

À ce sujet, des renseignements sont disponibles auprès des organismes suivants:

- **A.C.C.A.** (Air Conditioning Contractors of America)
- **A.S.H.R.A.E.** (American Society of Heating, Refrigeration and Air Conditioning Engineers)
- **I.C.C.C.R.** (Institut canadien du chauffage, de la climatisation et de la réfrigération)
- **S.M.A.C.N.A.** (Sheet Metal and Air Conditioning Contractors' National Association (États-Unis))

Tous ces organismes professionnels disposent de guides sur les dimensions des conduits.

#### ⚠ AVERTISSEMENT ⚠

EMPÊCHEZ, EN TOUT TEMPS, LES PRODUITS DE COMBUSTION DE PÉNÉTRER DANS LES CONDUITS DE RETOUR D'AIR OU D'ALIMENTATION D'AIR.

#### ⚠ IMPORTANT ⚠

TOUS LES CONDUITS DE RETOUR D'AIR DOIVENT ÊTRE ADÉQUATEMENT SCHELÉS ET FIXÉS À L'APPAREIL AVEC DES VIS AUTOTARAUDEUSES. DANS LES ENVIRONS DE L'APPAREIL, SCHELLEZ LES JOINTS DE TÔLE AVEC DU RUBAN D'ALUMINIUM OU UN MATÉRIAU SEMBLABLE. LORSQUE L'APPAREIL EST INSTALLÉ SUR UNE PLATEFORME ET QUE LE RETOUR D'AIR SE TROUVE DANS LE BAS, CE DERNIER DOIT ÊTRE SCHELÉ ADÉQUATEMENT ENTRE L'APPAREIL ET LE PLÉNUM DE RETOUR D'AIR.

LE PLANCHER OU LA PLATEFORME DOIT SUPPORTER SOLIDEMENT L'APPAREIL. IL NE DOIT PAS Y AVOIR D'AFFAISSEMENT OU DE FISSURES AUTOUR DE LA BASE. IL FAUT ÉGALEMENT SCHELER ENTRE LE SUPPORT ET LA BASE.



### 4.8.2 Conduits de retour d'air

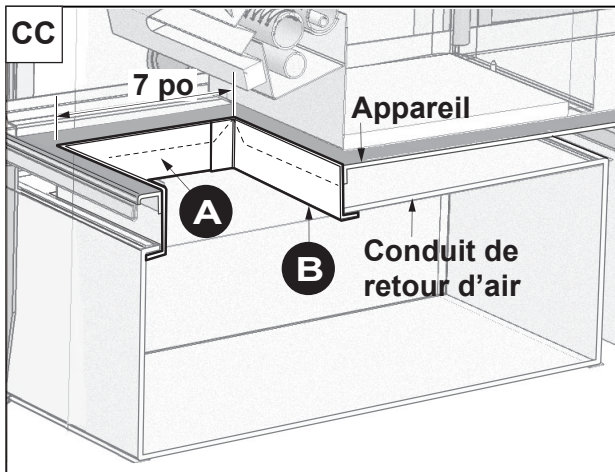
Installez le support dans l'édifice et dans la zone où se trouve l'ouverture du retour d'air. Le support doit être suffisamment élevé pour permettre de raccorder le conduit de retour d'air à l'appareil, tel que requis.

Si nécessaire, installez un matériau résilient entre le support et la base de l'appareil pour réduire la transmission du son et des vibrations.

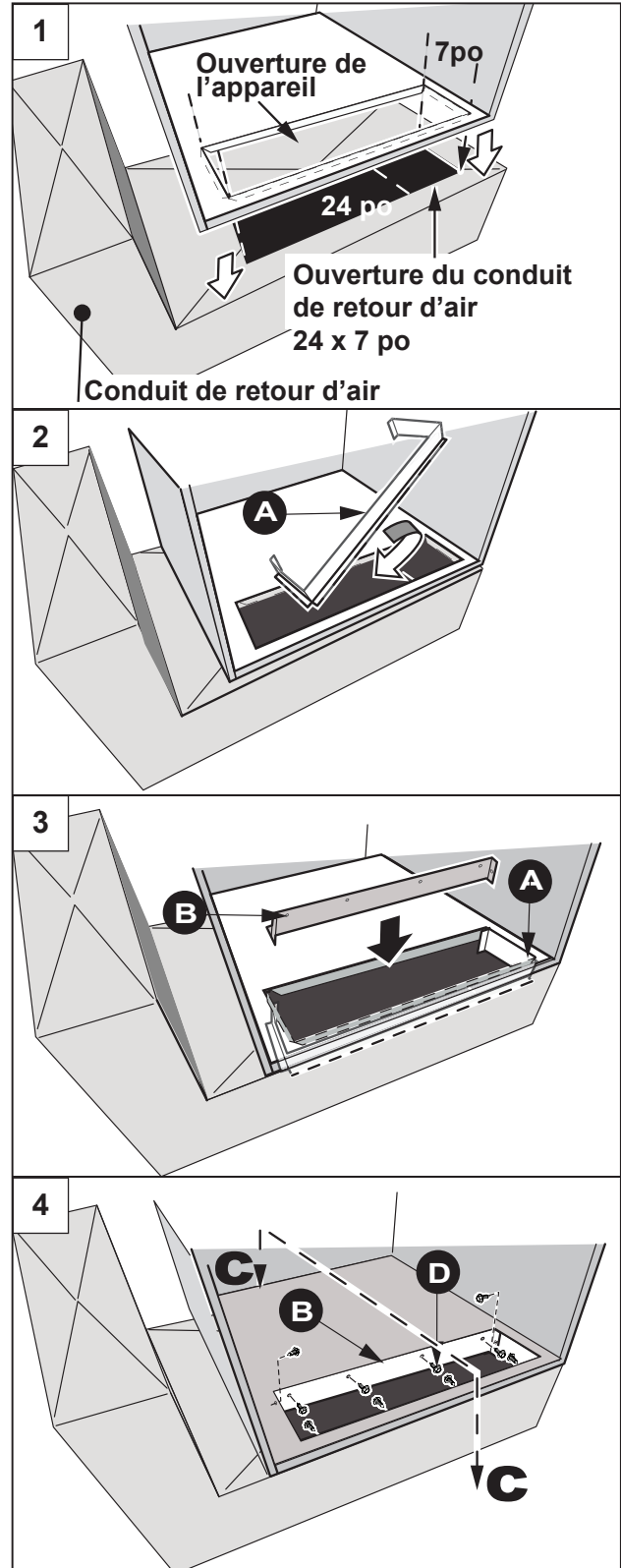
#### Contour de l'appareil

Pour sceller l'appareil sur le conduit de retour d'air (sous la structure de soutien), suivez les étapes suivantes:

1. Percez un trou dans le conduit de retour d'air (24 x 7 po/61 x 17,8 cm).
2. Alignez l'ouverture de l'appareil avec l'ouverture du conduit de retour d'air.
3. Insérez la pièce de prolongement en tôle d'acier **A** dans l'ouverture.
4. Alignez les bords supérieurs en ajustant la hauteur.
5. Installez le Condo Pack avec les quatre vis autotaraudeuses fournies.
6. Insérez la seconde pièce **B** et fixez-la de l'intérieur à la pièce de prolongement **A** à l'aide de deux vis. Voir la vue en coupe dans l'encadré **CC** ci-dessous.

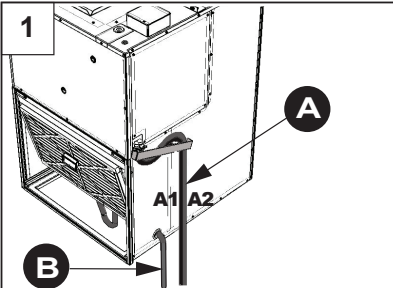
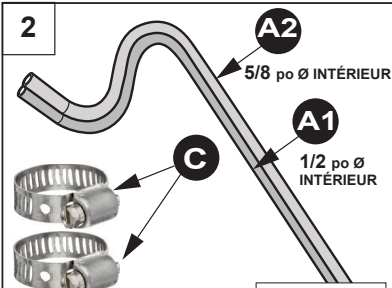
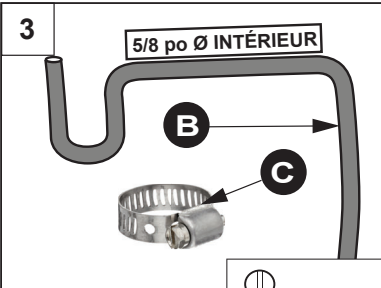
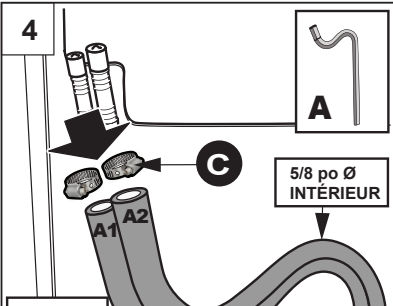
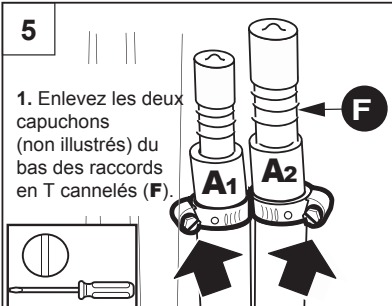
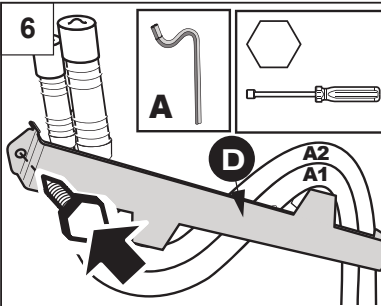
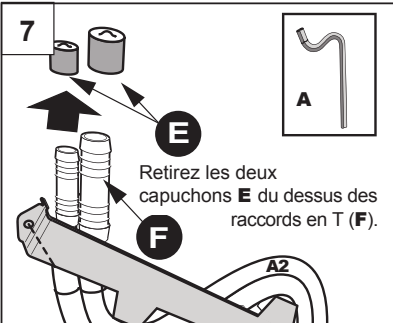
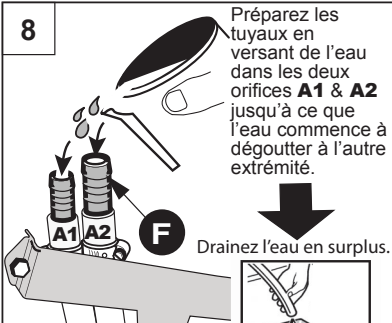
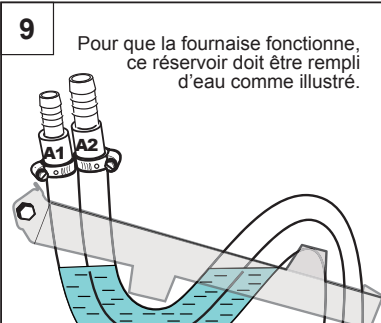
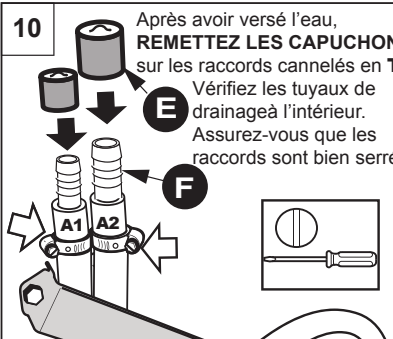


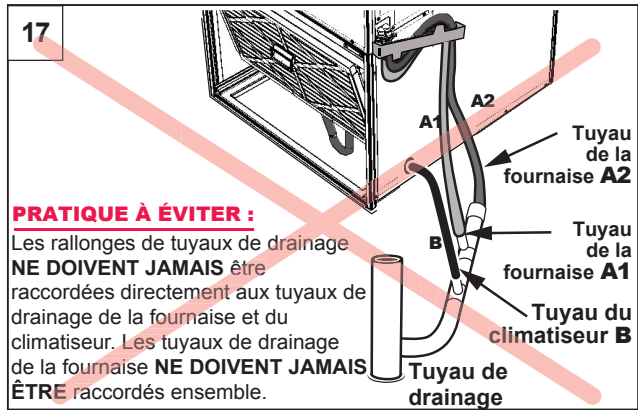
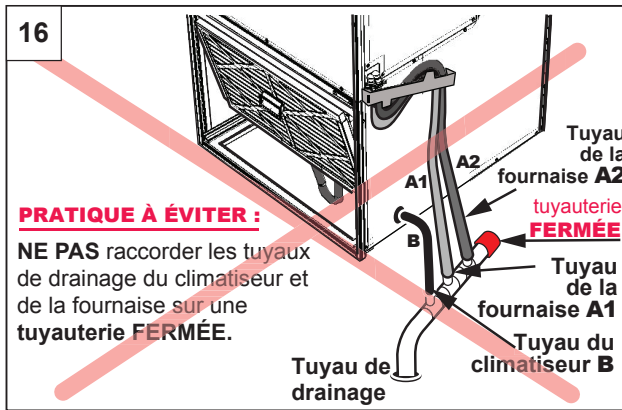
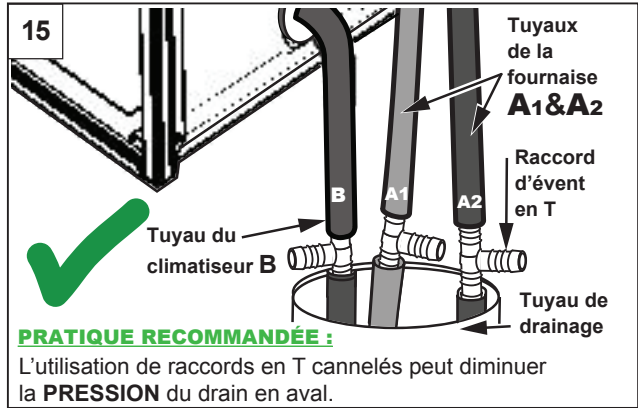
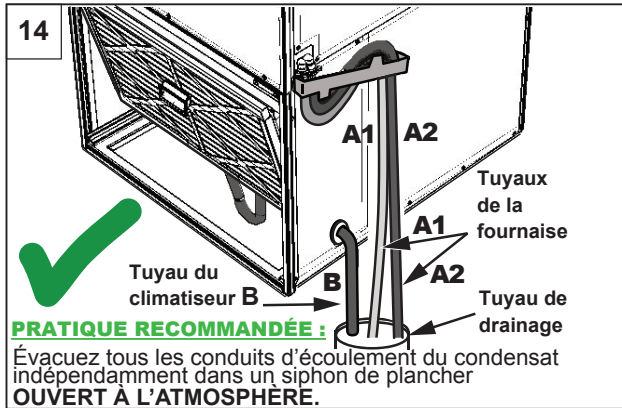
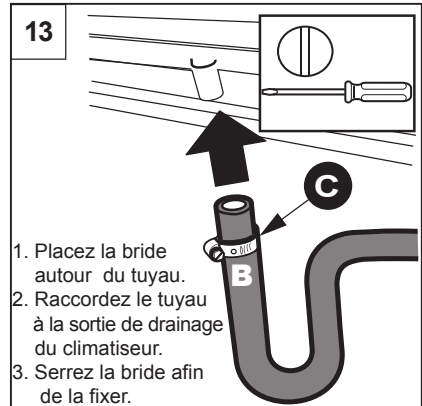
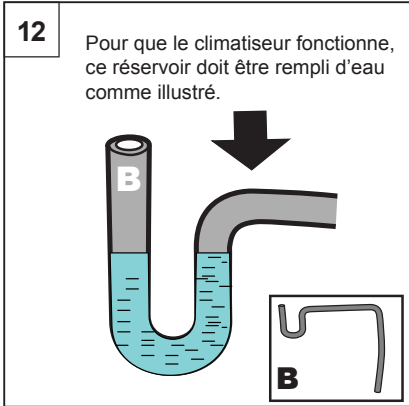
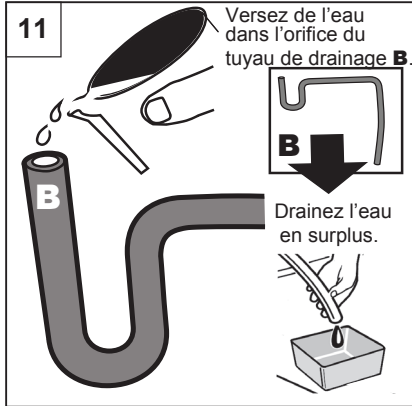
7. Ajustez la pièce de prolongement sur l'ouverture de l'appareil au besoin et coupez l'excédant.
8. Fixez le tout à l'aide de quatre vis **D**.
9. Utilisez du ruban métallique en aluminium pour sceller tous les espaces entre les bords des conduits de retour d'air et l'appareil.



## 4.9 RACCORDS DES CONDUITS DE DRAINAGE

Les raccords des conduits de drainage de la fournaise et du climatiseur sont inclus, mais ne sont pas installés. Les raccords des conduits de drainage sont préfabriqués et dotés de siphons en P complets. Pour connecter les conduits de drainage aux systèmes de drainage existants, suivez les 17 étapes d'installation illustrées ci-dessous:

<p><b>1</b></p>  <p><b>A</b> - Tuyaux de la fournaise A1 = 1/2 po Ø INTÉRIEUR A2 = 5/8 po Ø INTÉRIEUR</p> <p><b>B</b> - Tuyau du climatiseur : B = 5/8 po Ø INTÉRIEUR</p>	<p><b>2</b></p>  <p><b>A2</b> 5/8 po Ø INTÉRIEUR</p> <p><b>A1</b> 1/2 po Ø INTÉRIEUR</p> <p><b>C</b> - Bride pour tuyau 2X</p> <p><b>A</b> - Tuyaux de la fournaise</p>	<p><b>3</b></p>  <p>5/8 po Ø INTÉRIEUR</p> <p><b>B</b></p> <p><b>C</b> - Bride pour tuyau 1X</p> <p><b>B</b> - Tuyau du climatiseur 5/8 po Ø INTÉRIEUR</p>
<p><b>4</b></p>  <p><b>C</b></p> <p>5/8 po Ø INTÉRIEUR</p> <p>1/2 po Ø INTÉRIEUR</p> <p>Glissez deux brides <b>C</b> autour des tuyaux <b>A1&amp;A2</b>.</p>	<p><b>5</b></p>  <p>1. Enlevez les deux capuchons (non illustrés) du bas des raccords en T cannelés en <b>T</b> (F).</p> <p><b>A1</b> <b>A2</b></p> <p><b>F</b></p> <p>Insérez des raccords en <b>T</b> à l'embouchure des tuyaux et serrez les deux brides.</p>	<p><b>6</b></p>  <p><b>A</b></p> <p><b>D</b></p> <p><b>A2</b> <b>A1</b></p> <p>Placez le tuyaux <b>A1&amp;A2</b> à l'INTÉRIEUR du support <b>D</b>, comme illustré. Mettez le support <b>D</b> en place et fixez-le avec la vis fournie.</p>
<p><b>7</b></p>  <p><b>E</b></p> <p>Retirez les deux capuchons <b>E</b> du dessus des raccords en <b>T</b> (<b>F</b>).</p> <p><b>F</b></p> <p><b>A2</b> <b>A1</b></p>	<p><b>8</b></p>  <p>Préparez les tuyaux en versant de l'eau dans les deux orifices <b>A1 &amp; A2</b> jusqu'à ce que l'eau commence à dégoutter à l'autre extrémité.</p> <p><b>F</b></p> <p>Drainez l'eau en surplus.</p>	<p><b>9</b></p>  <p>Pour que la fournaise fonctionne, ce réservoir doit être rempli d'eau comme illustré.</p>
<p><b>10</b></p>  <p>Après avoir versé l'eau, <b>REMETTEZ LES CAPUCHONS</b> sur les raccords cannelés en <b>T</b>. Vérifiez les tuyaux de drainage à l'intérieur. Assurez-vous que les raccords sont bien serrés.</p> <p><b>E</b></p> <p><b>F</b></p> <p><b>A1</b> <b>A2</b></p>	<p style="text-align: center;"><b>⚠ AVERTISSEMENT ⚠</b></p> <p><b>LES CAPUCHONS RECOUVRANT LES RACCORDS CANNELÉS DOIVENT ÊTRE UNIQUEMENT RETIRÉS LORS DE L'AMORÇAGE DU DRAINAGE DU SIPHON EN P. LORS DU FONCTIONNEMENT DE L'APPAREIL, LES CAPUCHONS DOIVENT ÊTRE SOLIDEMENT FIXÉS SUR LES RACCORDS CANNELÉS. DE PLUS, TOUS LES TUYAUX DE DRAINAGE DOIVENT ÊTRE SOLIDEMENT FIXÉS AUX RACCORDS CANNELÉS.</b></p> <p><b>SI CES CONSIGNES NE SONT PAS RESPECTÉES LORS DU FONCTIONNEMENT DE L'APPAREIL, DES PRODUITS D'ÉCHAPPEMENT POURRAIENT S'INFILTRER DANS L'ESPACE DE SÉJOUR ET CAUSER DES DOMMAGES MATÉRIELS, DES BLESSURES CORPORELLES OU LA MORT.</b></p>	



**⚠ ATTENTION ⚠** NE drainez PAS le condensat à l'extérieur. NE faites PAS passer une conduite de condensat dans des endroits exposés au gel. Le gel du condensat peut causer un fonctionnement irrégulier et des dommages matériels.

**REMARQUE**

LE CONDUIT D'ÉCOULEMENT DU CONDENSAT SUR LE CÔTÉ DE L'APPAREIL DOIT EN TOUT TEMPS SUIVRE UNE PENTE DESCENDANTE JUSQU'AU COLLECTEUR DE L'IMMEUBLE.  
LE CONDENSAT PROVENANT DE LA SORTIE DE L'ENSEMBLE DE PURGEUR DE CONDENSAT DOIT ÊTRE AMENÉ DANS UN SIPHON DE SOL OU À UNE POMPE À CONDENSATS.

**N'IMMERGEZ PAS L'EXTRÉMITÉ DU TUYAU DE DRAINAGE, CAR CELA CRÉERA UN PIÈGE À AIR ET PROVOQUERA UNE INONDATION.**

## 4.10 CONDUITS D'ÉVACUATION ET DE COMBUSTION

Le système d'évacuation fait partie intégrante de l'appareil et a été conçu pour fonctionner adéquatement dans toutes les conditions météorologiques et pour résister à des vents soufflant jusqu'à 51,5 km/h. Le système d'évacuation ne doit pas être modifié ni prolongé. La sortie d'évacuation ne doit pas être modifiée ni allongée.

Les sites d'installation soumis à des conditions de vent extrêmes peuvent nécessiter l'installation d'une trousse de protection contre le vent. (*Consultez le Centre Solution Client pour obtenir plus d'informations sur la trousse de protection contre le vent.*)

L'appareil comprend un ventilateur d'évacuation qui aspire les produits de combustion de l'échangeur de chaleur en les diluant avec de l'air, puis expulse le mélange à l'extérieur. Aucune cheminée ou disposition particulière n'est requise pour l'alimentation en air comburant.

## 4.11 ALIMENTATION EN GAZ ET CONDUITES DE GAZ

Au Canada, l'installation des conduites de gaz doit se conformer aux normes CAN/CSA-B149.1 et B149.2, et aux codes locaux. Aux États-Unis, l'installation des conduites de gaz doit se conformer aux normes (NFGC) NFPA 54 / ANSI Z223.1 et aux codes locaux.

Si les codes locaux permettent l'utilisation d'un raccord flexible pour appareil au gaz, utilisez toujours un raccord homologué récemment. N'utilisez pas un raccord qui a déjà desservi un autre appareil au gaz. Si une soupape à levier est installée, utilisez uniquement une soupape d'arrêt pour le gaz conforme à la norme CAN/CSA B149.

## 4.12 BRANCHEMENT DU GAZ

<b>⚠ IMPORTANT ⚠</b>
<b>UTILISEZ TOUJOURS UNE CLÉ POUR ÉVITER DE TORDRE LA SOUPAPE DE GAZ. TOUTE TENSION SUR LA SOUPAPE DE GAZ PEUT NUIRE AU POSITIONNEMENT DES INJECTEURS PAR RAPPORT AUX BRÛLEURS. CECI POURRAIT ENTRAÎNER UN MAUVAIS FONCTIONNEMENT DU BRÛLEUR.</b>
<b>ASSUREZ-VOUS QUE LA SOUPAPE DE GAZ N'EST PAS SOUMISE À DES PRESSIONS ÉLEVÉES.</b>
<b>⚠ AVERTISSEMENT ⚠</b>
<b>DÉBRANCHEZ LA SOUPAPE D'ARRÊT MANUELLE ET LA SOUPAPE DE GAZ PENDANT LES ESSAIS DE PRESSION SUPÉRIEURS À ½ LB/PO<sup>2</sup>. (3,45 kPa).</b>

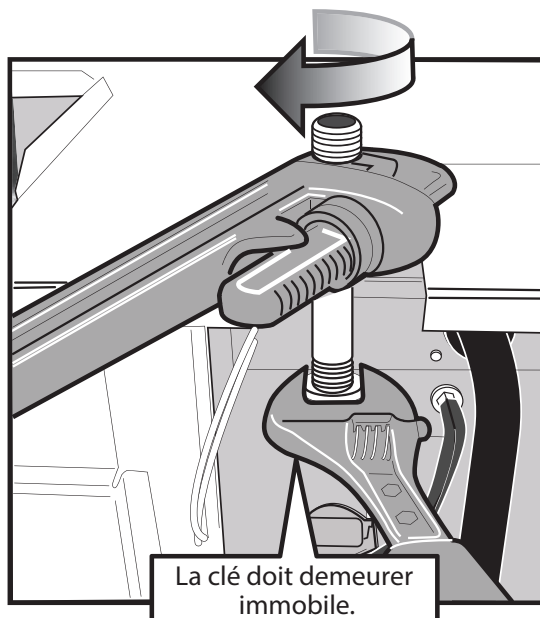


FIG. 4.12



#### 4.13 PRESSION D'ALIMENTATION EN GAZ

La pression d'alimentation du gaz naturel doit être entre 5,0 po - 10,5 po CE. La pression d'alimentation en gaz du propane doit être entre 11,0 po et 13,0 po CE pour les unités de 15K, 30K, 40K et entre 12,0 po et 13,0 po CE pour l'unité de 50K. Ces pressions doivent être maintenues lorsque tous les autres appareils à gaz fonctionnent au maximum.

### ⚠ IMPORTANT ⚠

**NE DÉPASSEZ PAS UNE PRESSION D'ALIMENTATION DE 13 PO CE POUR LE GAZ PROPANE ET DE 10,5 PO CE POUR LE GAZ NATUREL.**

La soupape de gaz est munie d'un régulateur interne pour contrôler la pression du collecteur du brûleur. La pression du collecteur du brûleur est indiquée sur la plaque d'homologation de la fournaise.

### ⚠ AVERTISSEMENT ⚠

**LES FOURNAISES ONT ÉTÉ FABRIQUÉES POUR BRÛLER DU GAZ NATUREL UNIQUEMENT. UN ENSEMBLE (W370-0040) EST REQUIS POUR LA CONVERSION DU GAZ NATUREL AU GAZ PROPANE.**

**LE DÉFAUT D'UTILISER L'ENSEMBLE DE CONVERSION APPROPRIÉ PEUT ENTRAÎNER UN INCENDIE, UNE EXPLOSION, UN EMPOISONNEMENT AU MONOXYDE DE CARBONE, DES DOMMAGES MATÉRIELS, DES BLESSURES CORPORELLES OU LA MORT.**

### ⚠ IMPORTANT ⚠

- UN ÉQUIPEMENT SPÉCIALISÉ EST REQUIS POUR CONVERTIR LES FOURNAISES. LA CONVERSION DOIT ÊTRE EFFECTUÉE PAR UN INSTALLATEUR QUALIFIÉ, UNE AGENCE DE SERVICE OU UN FOURNISSEUR DE GAZ.
- CETTE FOURNAISE DOIT UNIQUEMENT ÊTRE RACCORDÉE AU SYSTÈME D'ALIMENTATION EN GAZ D'UN SERVICE PUBLIC OU COMMERCIAL. HABITUELLEMENT, LE GAZ PROVENANT DE PUIXS PRIVÉS NE PROCURE PAS UNE VALEUR ET UNE DENSITÉ DE CHAUFFAGE CONSTANTES, UNIFORMES ET PRÉVISIBLES. PLUSIEURS PUIXS NON COMMERCIAUX CONTIENNENT DES IMPURETÉS, COMME DU SOUFRE, QUI PEUVENT ENDOMMAGER LA FOURNAISE. CETTE FOURNAISE NE FONCTIONNERA PAS DE FAÇON ADÉQUATE ET SÉCURITAIRE SI LE GAZ QUI L'ALIMENTE NE RESPECTE PAS LES NORMES COMMERCIALES ÉTABLIES.

Au Canada, l'installation des conduites de gaz doit être conforme aux normes CAN/CSA-B149.1 et B149.2, et aux codes locaux. Aux États-Unis, l'installation des conduites de gaz doit se conformer aux normes (NFGC) NFPA 54 / ANSI Z223.1 et aux codes locaux. Si les codes locaux permettent l'utilisation d'un raccord flexible pour appareil au gaz, utilisez toujours un raccord homologué récemment. N'utilisez pas un raccord qui a déjà desservi un autre appareil au gaz.

### ⚠ IMPORTANT ⚠

Pour maintenir l'étanchéité dans l'espace entourant le brûleur, la conduite de gaz qui traverse le panneau supérieur de la fournaise doit être un tuyau de 1/2 po en fer noir de série 40. Le tuyau traverse une bague en caoutchouc spécialement fabriquée pour garantir l'étanchéité autour du tuyau de gaz (FIG. 4.13).

### ⚠ IMPORTANT ⚠

Utilisez toujours une clé pour éviter de tordre la soupape de gaz. Toute tension sur la soupape de gaz peut nuire au positionnement des injecteurs par rapport aux brûleurs. Ceci pourrait entraîner un mauvais fonctionnement du brûleur.

**ASSUREZ-VOUS QUE LA SOUPAPE DE GAZ N'EST PAS SOUMISE À DES PRESSIONS ÉLEVÉES.**

FIG. 4.13



H17.3.7A

## 4.14 ESSAIS D'ÉTANCHÉITÉ

Des essais de pression doivent être effectués sur toutes les nouvelles installations de conduites de gaz selon les normes CAN/CSA-B149.1 et 2, NFPA 54 ANSI Z223.1 ou ANSI/NFPA 58, « *Norme pour l'entreposage et la manipulation des gaz de pétrole liquéfiés.* »

Les conduites de gaz qui n'ont pas fait l'objet d'essais de pression, allant de la soupape d'arrêt manuelle à la soupape de gaz de la fournaise, par exemple, doivent faire l'objet d'essais d'étanchéité en utilisant un détecteur de gaz électronique, une solution commerciale de détection des fuites ou une autre méthode approuvée localement.

## 4.15 PURGE DES CONDUITES DE GAZ

L'appareil et la soupape d'arrêt manuelle du gaz doivent tous deux être débranchés de la ligne d'alimentation en gaz pendant les essais de pression de ce système, et ce, lorsque les pressions d'essai excèdent 1/2 lb/po<sup>2</sup> (3,5 kPa).

<b>⚠ AVERTISSEMENT ⚠</b>
<b>RISQUE D'INCENDIE OU D'EXPLOSION!</b>
<b>N'EFFECTUEZ JAMAIS DE TESTS DE DÉTECTION DE FUITES DE GAZ AVEC UNE FLAMME NUE. N'UTILISEZ JAMAIS UNE ALLUMETTE, UNE CHANDELLE, UN BRIQUET, UNE FLAMME OU UNE AUTRE SOURCE D'IGNITION POUR VÉRIFIER L'ÉTANCHÉITÉ D'UNE CONDUITE DE GAZ.</b>
<b>POUR VÉRIFIER TOUTES LES CONNEXIONS, PROCUREZ-VOUS UNE SOLUTION SAVONNEUSE COMMERCIALE SPÉCIALEMENT CONÇUE POUR LA DÉTECTION DES FUITES.</b>
<b>SI CES INSTRUCTIONS NE SONT PAS SUIVIES À LA LETTRE, UN INCENDIE OU UNE EXPLOSION POURRAIENT S'ENSUIVRE, CAUSANT DES DOMMAGES MATÉRIELS, DES BLESSURES CORPORELLES OU LA MORT.</b>

## 4.16 CONVERSIONS

### 4.16.1 Conversion haute altitude

Cet fournaise est approuvé pour installation à haute altitude avec le gaz naturel ou propane en Canada et l'États-Unis de 0 à 4 500 pi (1370m).

L'installation de ce fournaise à des altitudes supérieures à 4 500pi (1370m) doit être effectué conformément aux codes locaux, ou en absence des codes locaux, du National Fuel Gas Code, ANSI Z223.1/ NFPA 54, ou du Code d'Installation du Gaz Naturel ou Propane, CSA B149.1.

Au Canada, lorsque le fournaise est installé à des élévations au-delà des 4 500 pi (1370m), l'indice du débit certifié haute altitude doit être réduit au taux de 4% pour chaque 1 000 pieds (305m) au-delà des 4 500 pieds (1370m).

Aux États-Unis, l'indice du débit doit être réduit au taux de 4% pour chaque 1 000 pieds (305m) au-delà des 4 500 pieds (1370m) au-dessus du niveau de la mer. Consultez les fournisseurs de gaz et autorités de votre localité pour connaître les règlements et habitudes.

### 4.16.2 Conversion du gaz naturel au gaz propane

Cette unité a été fabriquée comme un appareil au gaz naturel, mais peut être convertie au propane à l'aide de **l'ensemble de conversion (W370-0040)**. Cet ensemble comprend les instructions, les injecteurs nécessaires pour tous les modèles, le ressort du régulateur pour la soupape de gaz et une étiquette qui doit être apposée près de la plaque d'homologation de l'appareil pour aviser les techniciens de service de la conversion. Les pièces qui ont été enlevées pour cette conversion doivent demeurer avec la fournaise pour une conversion ultérieure au gaz naturel.

### 4.16.3 Vérification de la pression d'alimentation en gaz

#### SOUPAPE DE GAZ A UN STAGE WHITE-RODGERS 36J24-214 / 36J24-218P1 (W010-2614)

1. Coupez l'alimentation en gaz et l'alimentation électrique de la fournaise.
2. Tournez la vis d'essai de pression d'alimentation (bossage de la pression d'alimentation, voir les figures 28 et 29) d'au plus un tour vers la gauche en utilisant une clé hexagonale de 3/32 po. Raccordez un boyau et un tube en U étalonné ou un manomètre numérique au bossage de la pression d'alimentation. Le tuyau devrait recouvrir de 3/8 po (9,52 mm) le bossage. L'échelle de mesure du manomètre doit être d'au moins 0 à 15 po (0 à 0,3 m) de colonne d'eau.
3. Rétablissez l'alimentation en gaz et l'alimentation électrique et faites fonctionner la fournaise et tous les autres appareils au gaz sur la même ligne d'alimentation en gaz. À l'aide d'une solution de détection des fuites, vérifiez s'il y a des fuites autour du raccord de la soupape ou du collecteur de gaz et des injecteurs de brûleur. Réparez les fuites avant de continuer.
4. Mesurez la pression d'alimentation en gaz de la fournaise en allumant les brûleurs. La pression d'alimentation doit respecter l'étendue indiquée sur la plaque signalétique de la fournaise. 5,0 à 10,5po CE (gaz naturel) ou 11,0 à 13,0po (propane) pour les unités de 15K, 30K, 40K et 12,0 à 13,0po pour l'unité de

50K. Si la pression d'alimentation diffère de celle indiquée sur la plaque signalétique, vérifiez la taille de la conduite de gaz ou consultez votre fournisseur local de gaz. Si vous vérifiez un système fonctionnant au gaz naturel, contactez le fournisseur de gaz. Ce dernier vous recommandera peut-être de faire effectuer les réglages par un de ses techniciens.

5. Coupez l'alimentation en gaz et l'alimentation électrique de la fournaise. Enlevez le tuyau du manomètre du bossage de la pression d'alimentation, puis serrez la vis d'assemblage de la pression d'alimentation à l'aide d'une clé hexagonale de 3/32 po (vers la droite, 7 lb-po minimum).
6. Rétablissez l'alimentation en gaz et l'alimentation électrique de la fournaise.
7. À l'aide d'une solution de détection des fuites, vérifiez l'étanchéité des bossages de la pression. La formation de bulles indique une fuite. **COUPEZ LE GAZ ET RÉPAREZ LES FUITES IMMÉDIATEMENT!**
8. Rétablissez l'alimentation en gaz et testez le bossage de la pression d'alimentation à l'aide d'un détecteur de fuites.
9. Si la pression d'arrivée diffère de celle indiquée sur la plaque d'homologation, vérifiez la taille de la conduite de gaz ou demandez conseil à votre fournisseur de gaz local. Si vous travaillez sur un système au gaz naturel, contactez le fournisseur de gaz. Ce dernier vous recommandera peut-être de faire effectuer les réglages par l'un de ses techniciens.

Si vous avez éprouvé des difficultés à obtenir une pression suffisante, examinez le système de conduits de gaz pour confirmer qu'il a les bonnes dimensions. La dimension des conduits est spécifiée dans les normes CAN/CSA-B-149.1 et 2 et dans les normes NFPA 54/ANSI Z223.1. Vérifiez aussi qu'il n'y pas de restrictions, que les soupapes ne sont pas partiellement fermées, etc. Dans certains cas, l'installation d'un régulateur sur la conduite de gaz peut être nécessaire pour remédier à une pression d'alimentation élevée. Si vous utilisez un tel régulateur, assurez-vous qu'il convient au volume de gaz requis par la fournaise et par tout autre appareil alimenté par le collecteur desservant la fournaise.

FIG. 28. - SOUPE DE GAZ WHITE RODGERS 36J24-214 (W010-2614)

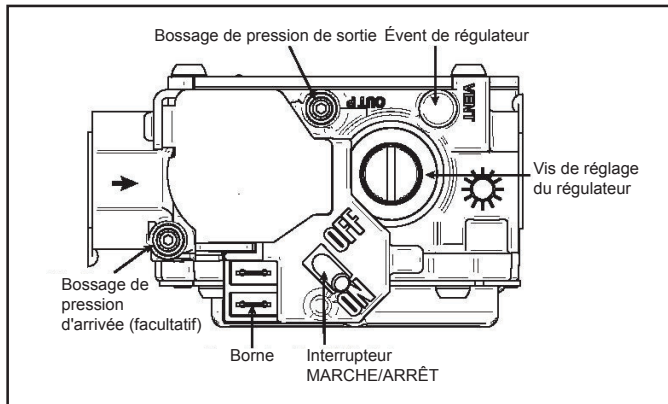
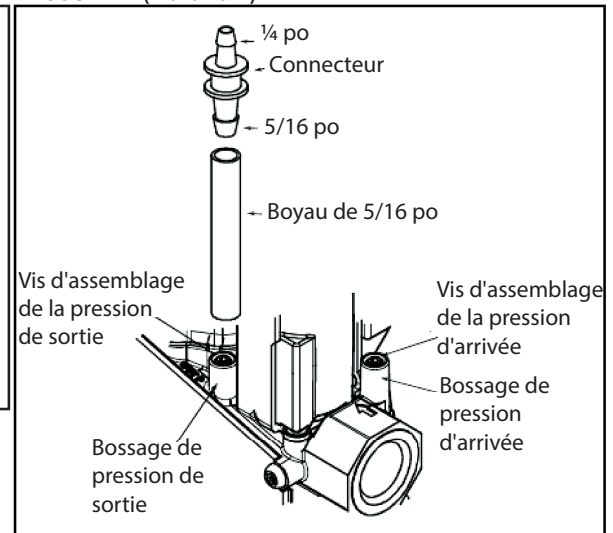


FIG. 29. TROUSSE DE VÉRIFICATION DE LA PRESSION DE LA SOUPE (W010-2614)



#### 4.16.4 Réglage de la pression du gaz au collecteur

Lorsque vous avez terminé l'étape *Démarrage et réglage*, vérifiez la pression du gaz au collecteur en suivant ces étapes :

##### SOUPE DE GAZ À UN STAGE WHITE-RODGERS 36J24-214 (W010-2614)

1. Coupez l'alimentation en gaz et l'alimentation électrique avant de commencer.
2. Tournez la vis d'essai de pression de sortie (bossage de la pression de sortie, voir les figures 28 et 29) d'au plus un tour vers la gauche en utilisant une clé hexagonale de 3/32 po. Raccordez un boyau et un tube en U étalonné ou un manomètre numérique au bossage de pression de sortie. Le tuyau devrait recouvrir de 3/8 po (9,52 mm) le bossage. L'échelle de mesure du manomètre doit être d'au moins 0 à 15 po (0 à 0,3 m) de colonne d'eau.
3. Rétablissez l'alimentation en gaz et l'alimentation électrique de la fournaise et activez le solénoïde principal en raccordant R à W sur le panneau de commande.



4. Enlevez la vis du régulateur de puissance d'utilisation (figure 28) et tournez la vis de réglage en plastique vers la droite pour augmenter la pression au collecteur ou vers la gauche pour la réduire. La pression au collecteur devrait être réglée à 3,5" CE pour le gaz naturel. Pour propane, la pression au collecteur devrait être réglée selon la plaque signalétique et défini selon la valeur indiquée ci-dessous:  
Pour l'unité 15K = 9,5po CE, l'unité 30K = 9,3po CE, l'unité 40K = 9,6po CE, et l'unité 50K = 11,2po CE.  
Réglez toujours le régulateur selon les spécifications du fabricant de l'équipement original indiquées sur la plaque signalétique de l'appareil.  
Une fois la bonne pression atteinte, remplacez la vis d'obturation du régulateur. **LE DÉFAUT DE REMPLACER LA VIS D'OBTURATION DU RÉGULATEUR ENTRAÎNERA UN RISQUE D'INCENDIE!**
5. Coupez l'alimentation en gaz et l'alimentation électrique de la fournaise.
6. Enlevez le tuyau du manomètre du bossage de la pression de sortie, puis serrez la vis d'assemblage de la pression de sortie à l'aide d'une clé hexagonale de 3/32 po (vers la droite. 7 lb-po minimum).

### ! AVERTISSEMENT !

**LES RÉGLAGES DU RÉGULATEUR DOIVENT ÊTRE EFFECTUÉS PAR UN TECHNICIEN QUALIFIÉ. DES MODIFICATIONS OU DES AJUSTEMENTS NON CONFORMES PEUVENT CAUSER UN INCENDIE OU UNE EXPLOSION ENTRAÎNANT DES DOMMAGES MATÉRIELS, DES BLESSURES CORPORELLES OU DES PERTES DE VIE.**

H3.21\_FR

7. Rétablissez l'alimentation en gaz et l'alimentation électrique de la fournaise.
8. Rétablissez l'alimentation du système et activez la soupape.
9. À l'aide d'une solution de détection des fuites, vérifiez l'étanchéité des bossages de pression. La formation de bulles indique une fuite. **COUPEZ LE GAZ ET RÉPAREZ LES FUITES IMMÉDIATEMENT!**

#### 4.16.5 Vérification du débit de la fournaise

La pression d'alimentation en gaz naturel doit être comprise entre 5.0 po-10,5 po CE. La pression du collecteur du brûleur est préréglée en usine à 3,5" CE. Le débit de la fournaise est établi en fonction d'une valeur de 1 000 BTU/pi<sup>3</sup> de gaz.

Puisque les valeurs calorifiques du gaz varient géographiquement, le débit et le rendement actuels de la fournaise vont varier en conséquence. Par exemple, le débit sera réduit à 90 % si le gaz naturel a une valeur calorifique de 900 BTU/pi<sup>3</sup>. Le débit augmentera à environ 110 % si le gaz naturel a une valeur calorifique de 1100 BTU/pi<sup>3</sup>. Cet écart n'entraîne habituellement pas de problèmes; toutefois, pour combler cet écart, la pression du collecteur du brûleur peut être ajustée ou la taille de l'injecteur du brûleur peut être modifiée. Consultez le fournisseur de gaz pour obtenir les valeurs calorifiques spécifiques.

Tout réglage de la pression du collecteur du brûleur doit être effectué à l'aide d'un manomètre ou d'une jauge de pression étalonnée de type Magnehelic®. Ne réglez pas le régulateur de pression de la soupape de gaz de plus que +/-0,3" CE. Reportez-vous à la section *Réglage de la pression du gaz au collecteur et à la figure 30*.

### ! IMPORTANT !

**LE DÉBIT DE LA FOURNAISE NE DOIT JAMAIS ÊTRE RÉGLÉ À UNE VALEUR DÉPASSANT CELLE INDICQUÉE SUR LA PLAQUE SIGNALÉTIQUE.**

FIG. 30. - MANOMÈTRE QUI MESURE LA PRESSION DU GAZ AU COLLECTEUR

**Débit =  $\frac{\text{Valeur CALORIFIQUE du gaz} \times 3600}{\text{TEMPS en sec. pour 1 pi}^3}$**

où :

- Le **DÉBIT** est exprimé en BTU/h
- La valeur **CALORIFIQUE** du gaz est exprimée en BTU/pi<sup>3</sup>
- et le **TEMPS** représente le nombre de secondes requises pour que le cadran indique 1 pied cube.

*Si vous utilisez un compteur de gaz avec des unités SI (métrique):*

- 1 pied cube = 0,0283 mètre cube
- 1 mètre cube = 35,315 pieds cubes
- 0,01 mètre cube = 0,3531 pied cube
- 0,5 mètre cube = 1,766 pieds cubes



H18.6.3\_FR

W415-2283 / E / 03.15.21

## 4.17 ÉLECTRICITÉ

### ⚠ AVERTISSEMENT ⚠

**LES BRANCHEMENTS ÉLECTRIQUES DOIVENT ÊTRE EFFECTUÉS PAR UN TECHNICIEN QUALIFIÉ. DES MODIFICATIONS OU DES AJUSTEMENTS NON CONFORMES PEUVENT CAUSER UN INCENDIE OU UNE EXPLOSION ENTRAÎNANT DES DOMMAGES MATÉRIELS, DES BLESSURES CORPORELLES GRAVES OU LA MORT.**

- Au Canada, tous les branchements électriques doivent être conformes à la dernière édition de la norme CSA-C22.1 du Code canadien de l'électricité, partie 1, et à tout autre code local applicable. Aux États-Unis, tous les branchements électriques doivent être conformes à la dernière édition de la norme ANSI/NFPA 70 du National Electrical Code.
- La tension de fonctionnement de l'appareil se situe entre 197 et 253 volts. Soumettre l'appareil à une tension supérieure ou inférieure à cette étendue annulera la garantie.
- Le schéma de câblage est situé derrière le panneau d'accès de la fournaise.
- Assurez-vous que tous les composants électriques du compartiment intérieur sont à l'abri de l'eau.

La plaque d'homologation indique la tension de fonctionnement, la phase, le courant admissible, la puissance maximale des fusibles et la tension minimale. Reportez-vous à la plaque d'homologation située sur l'appareil pour connaître la puissance adéquate du fusible ou du disjoncteur à utiliser.

### 4.17.1 Câblage et branchements électriques

#### 4.17.1.1 Interrupteur-sectionneur principal

Avant de commencer les branchements électriques, assurez-vous que l'alimentation électrique est compatible avec la tension, la fréquence et la phase indiquées sur la plaque d'homologation de l'appareil.

Il n'est PAS permis de brancher l'appareil à des accessoires tels des transformateurs pour humidificateur, des pompes à condensats et des filtres à air électroniques.

### ⚠ AVERTISSEMENT ⚠

**PRÉVOYEZ UN CIRCUIT ÉLECTRIQUE, UN DISPOSITIF DE PROTECTION DES CIRCUITS ET UN INTERRUPTEUR-SECTIONNEUR PROPRES À CHAQUE APPAREIL CONDO PACK. RESPECTEZ LA NORME COURANTE ANSI/NFPA 70 DU NATIONAL ELECTRICAL CODE ET LA PARTIE 1 DE LA NORME CSA C22.1 DU CODE CANADIEN DE L'ÉLECTRICITÉ, DE MÊME QUE LES CODES LOCAUX ET PROVINCIAUX. L'ABSENCE DE CES DISPOSITIFS DE COUPURE POURRAIT OCCASIONNER UNE DÉCHARGE ÉLECTRIQUE OU UN INCENDIE, ENTRAÎNANT DES DOMMAGES, DES BLESSURES OU LA MORT.**

### ⚠ AVERTISSEMENT ⚠

**COUPEZ L'ALIMENTATION ÉLECTRIQUE AU COFFRET DE FUSIBLES OU AU PANNEAU DE SERVICE AVANT D'EFFECTUER DES BRANCHEMENTS ÉLECTRIQUES. NE PAS RESPECTER CES DIRECTIVES POURRAIT OCCASIONNER UNE DÉCHARGE ÉLECTRIQUE, CAUSANT DES BLESSURES CORPORELLES OU LA MORT.**

**LE CABINET DE LA FOURNAISE DOIT AVOIR UNE MISE À LA TERRE PERMANENTE. UN FIL DE MISE À LA TERRE EST FOURNI DANS LA BOÎTE DE JONCTION. N'UTILISEZ PAS UNE CONDUITE DE GAZ COMME MISE À LA TERRE.**

**UNE FOURNAISE INADÉQUATEMENT MISE À LA TERRE POURRAIT OCCASIONNER UNE DÉCHARGE ÉLECTRIQUE, CAUSANT DES BLESSURES CORPORELLES OU LA MORT.**

#### 4.17.1.2 Interrupteur secteur

Il est obligatoire que l'appareil soit raccordé à un interrupteur situé DEVANT celui-ci, de manière à ce qu'il ne faille pas traverser le périmètre de l'appareil pour en couper l'alimentation électrique.

Bien que ce ne soit pas obligatoire, il est conseillé que les pièces comptant plus d'une entrée soient munies d'interrupteurs distincts installés à proximité des entrées.

### ⚠ IMPORTANT ⚠

**L'INTERRUPTEUR DE FOURNAISE (INTERRUPTEUR SECTEUR) DOIT ÊTRE CLAIREMENT IDENTIFIÉ ET INSTALLÉ DANS UN ENDROIT OÙ IL NE SERA PAS CONFONDU COMME ÉTANT UN INTERRUPTEUR DE LUMIÈRE OU UN AUTRE CONTRÔLE SIMILAIRE.**

#### 4.17.2 Branchement de l'unité

Mis à part les raccordements au circuit électrique de la maison, l'appareil est complètement câblé lors de l'expédition. Les raccords d'alimentation de l'appareil sont branchés dans une boîte de jonction située sur le dessus du cabinet (reportez-vous à la figure 4.0). La boîte de jonction contient un fil NOIR qui doit être raccordé à L1 (chargé), un fil ROUGE qui doit être raccordé à L2 (neutre) et un fil vert (TERRE) raccordé à la BORNE DE MISE À LA TERRE qui doit être raccordée à la terre.

#### **REMARQUE**

Utilisez des serre-fils de bonne qualité, tels des raccords Marrette®, des serre-fils Ideal®, etc.

### ⚠ IMPORTANT ⚠

**UTILISEZ SEULEMENT DES CONDUCTEURS EN CUIVRE.**

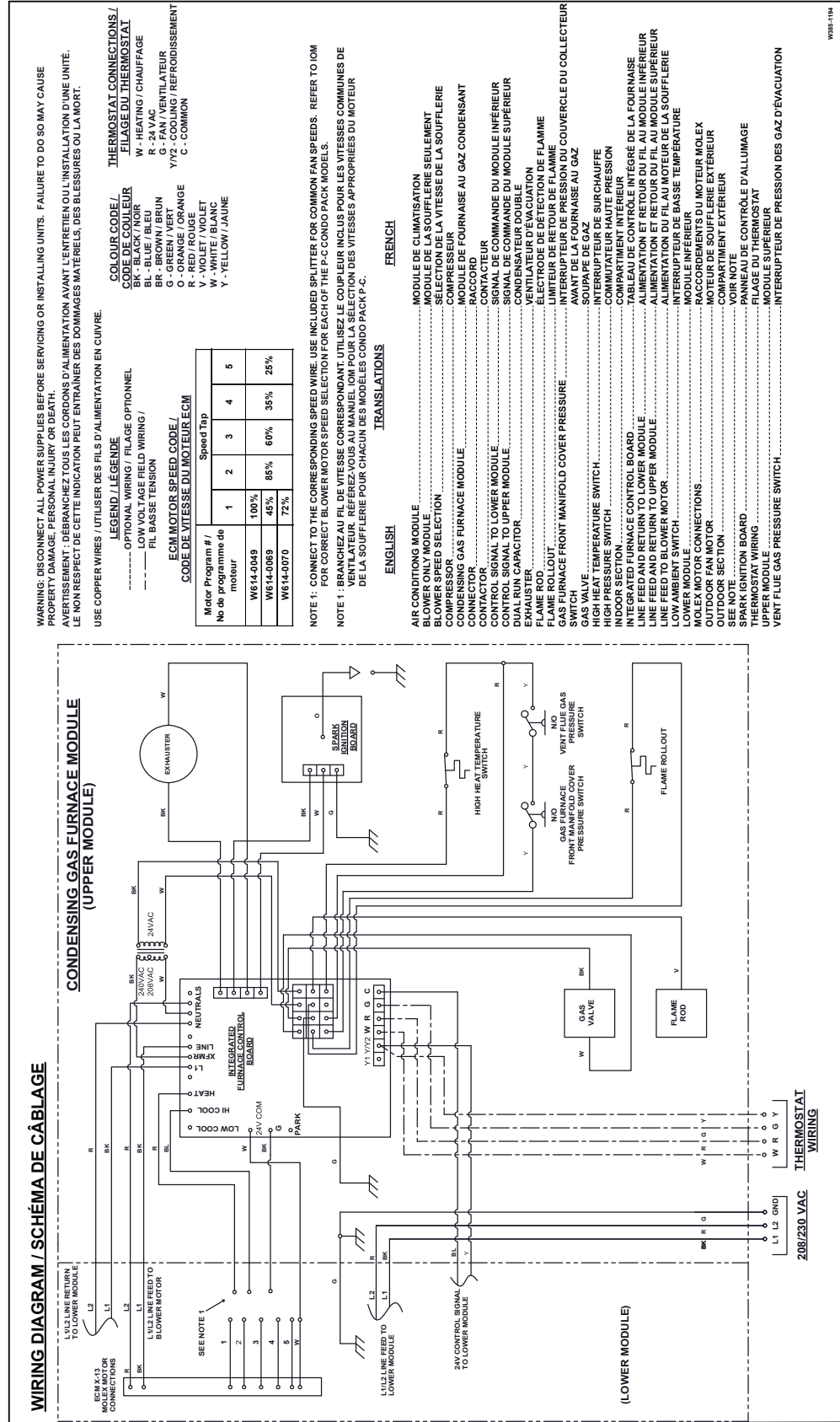
H19.3\_FR

4.17.3

Schémas de câblage

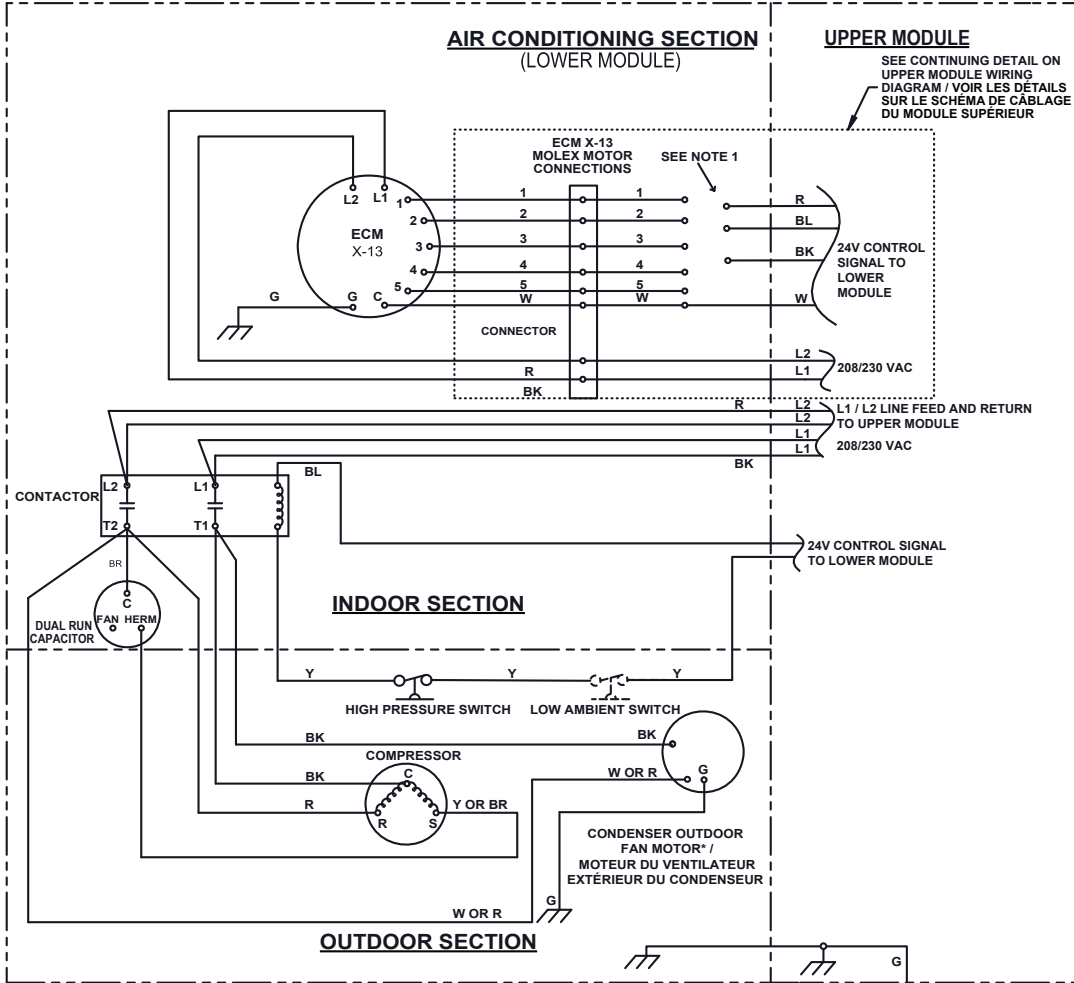
4.17.3.1

Module de fournaise au gaz à haut rendement (module supérieur)



4.17.3.2 Module de climatisation (Module inférieur)

**AIR CONDITIONING SECTION - WIRING DIAGRAM / SCHÉMA DE CÂBLAGE**

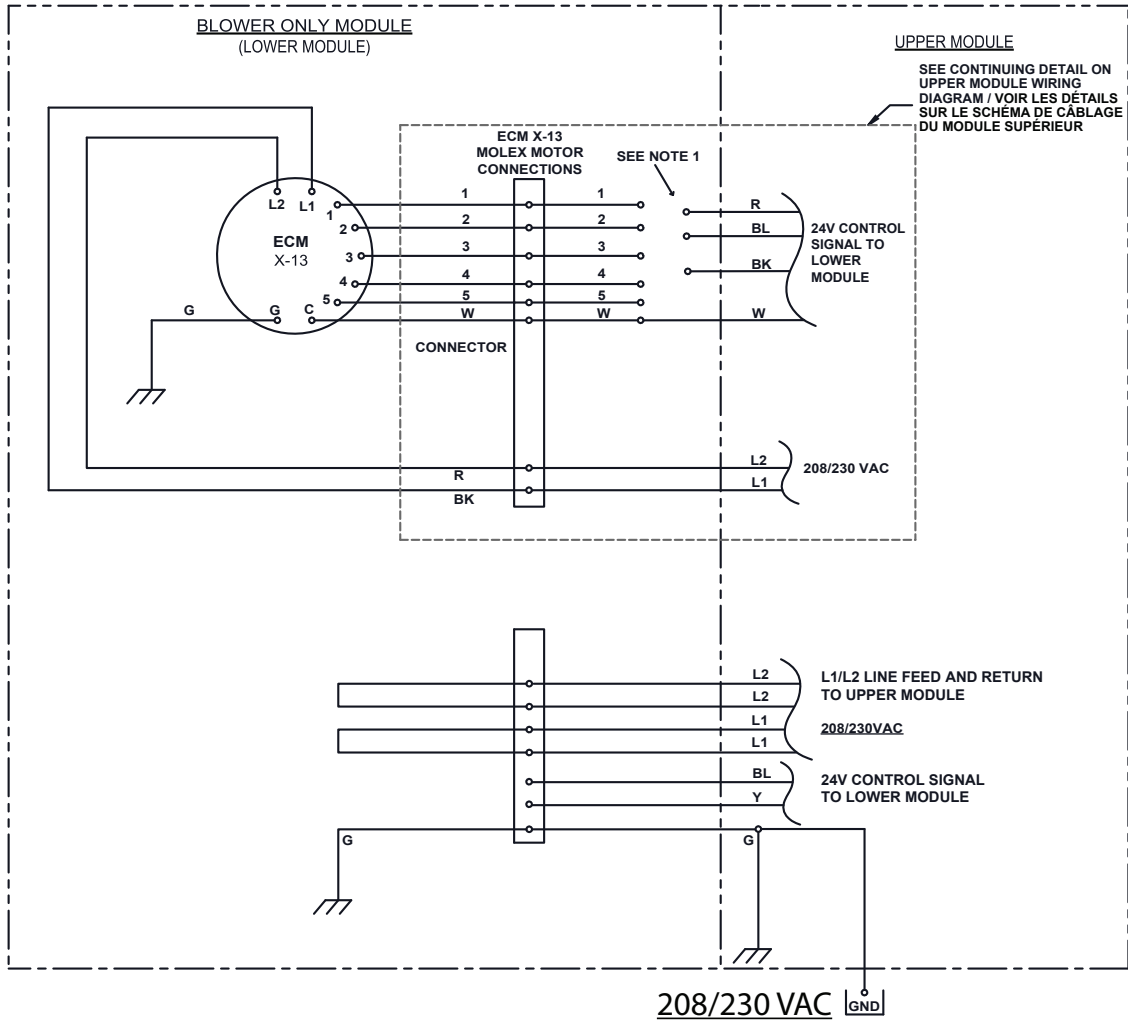


\* Certain units have two speed outdoor fan motor. Refer to manual for correct speed selection.  
 \* Certaines unités ont un moteur de ventilateur extérieur à deux vitesses. Reportez-vous au manuel pour la sélection de vitesse correcte.

W385-1116/B

4.17.3.3 Module de la soufflerie seulement (Module inférieur)

WIRING DIAGRAM / SCHÉMA DE CÂBLAGE

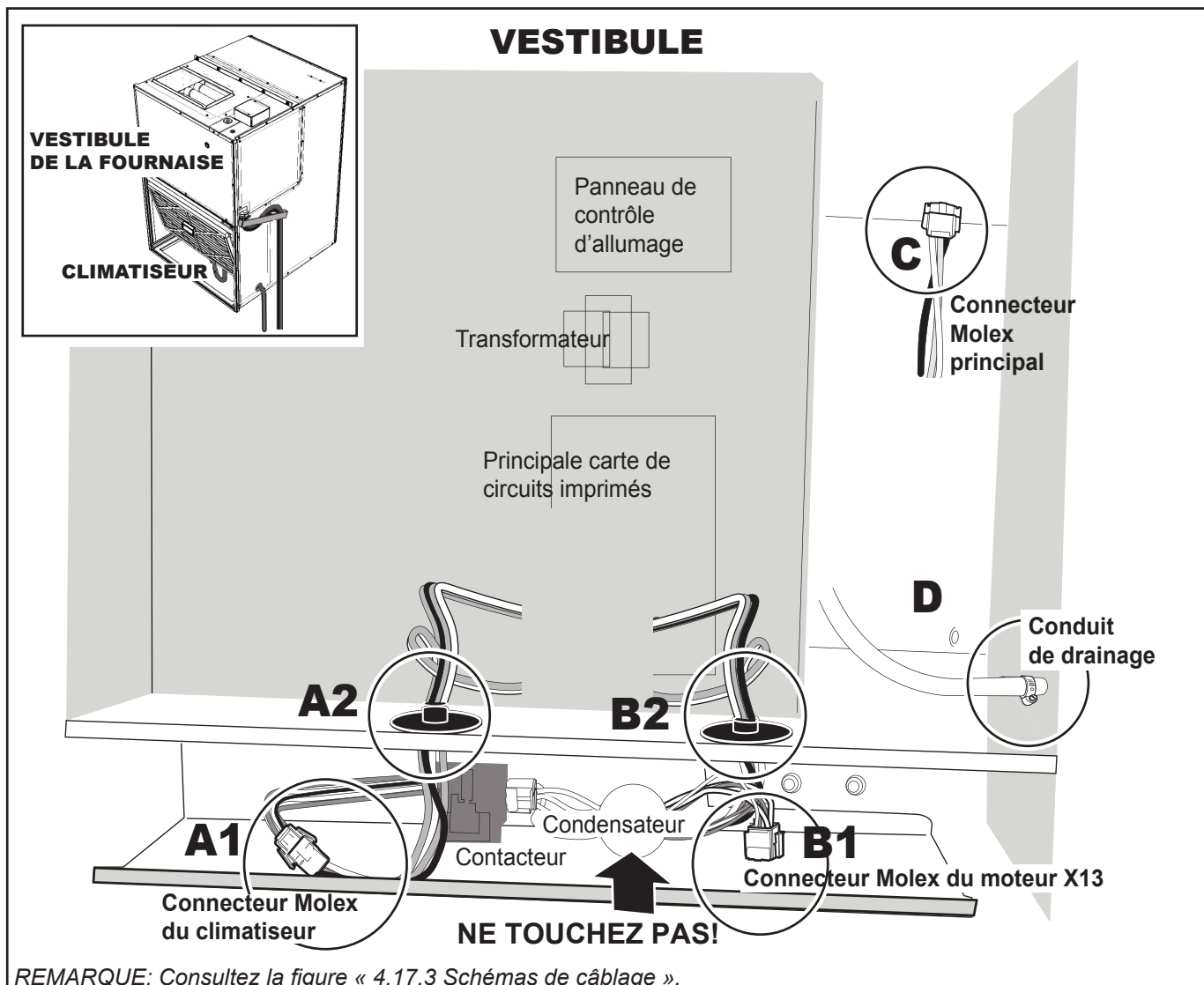


W385-0979/A



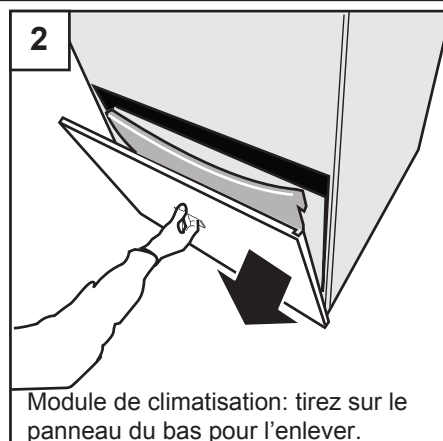
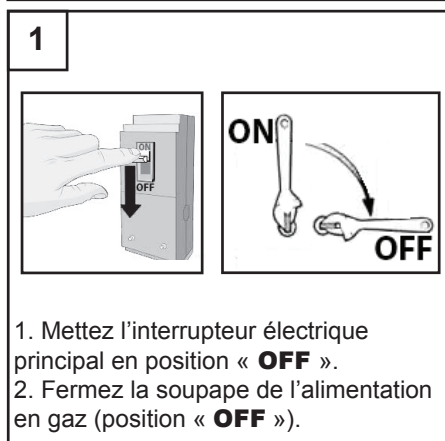
## 4.17.4 Retrait des modules du climatiseur et de la fournaise

MIO

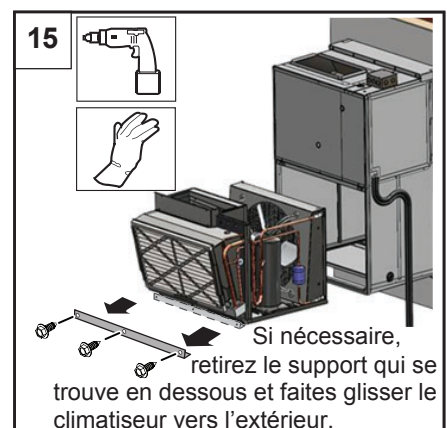
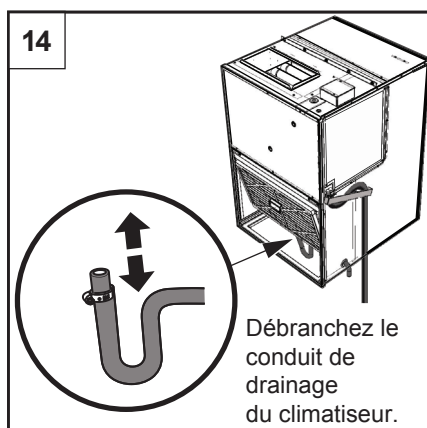
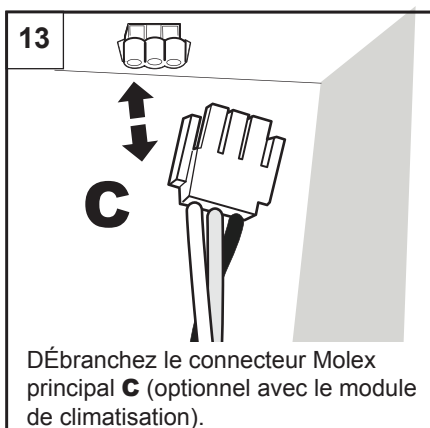
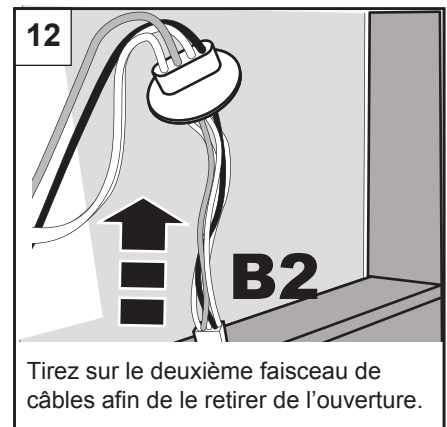
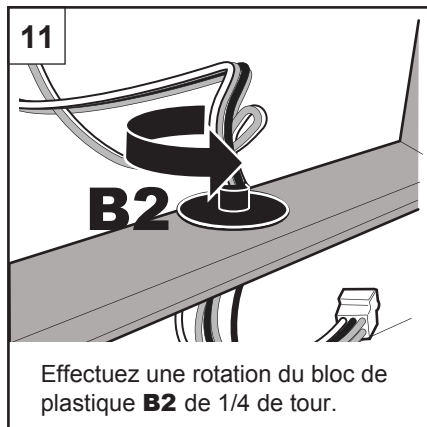
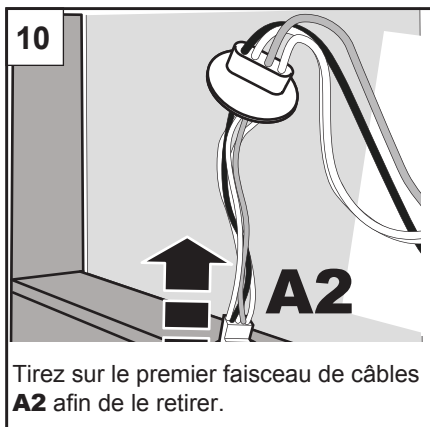
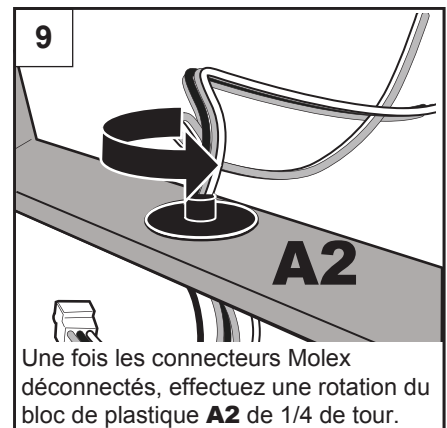
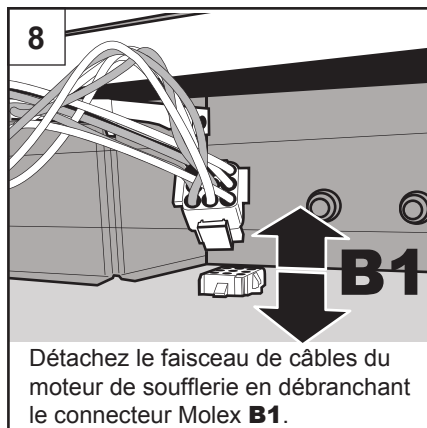
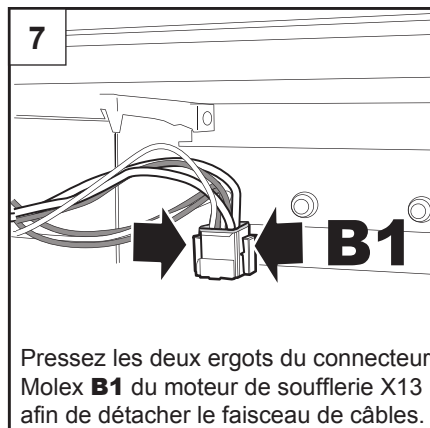
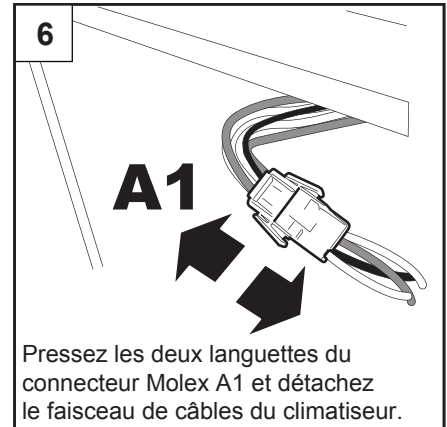
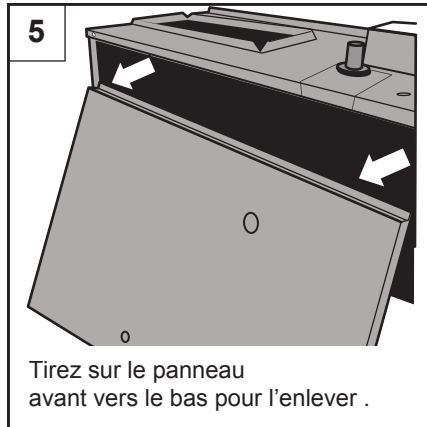


**⚠ AVERTISSEMENT ⚠**

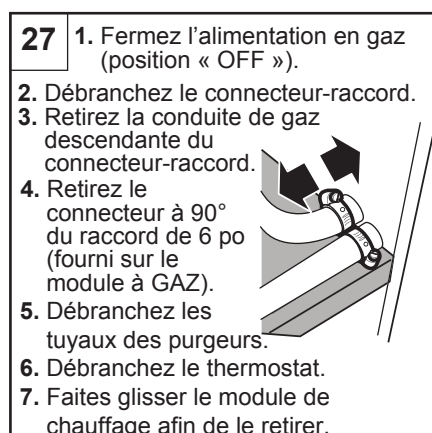
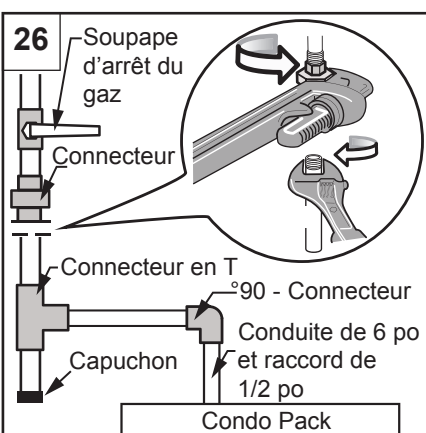
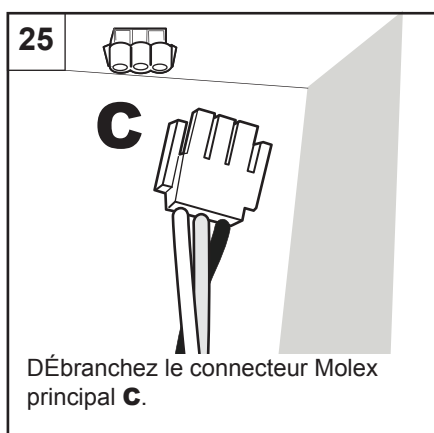
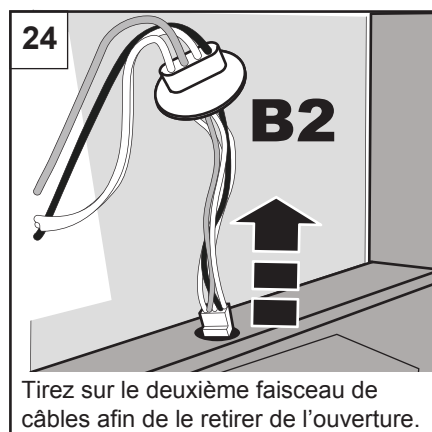
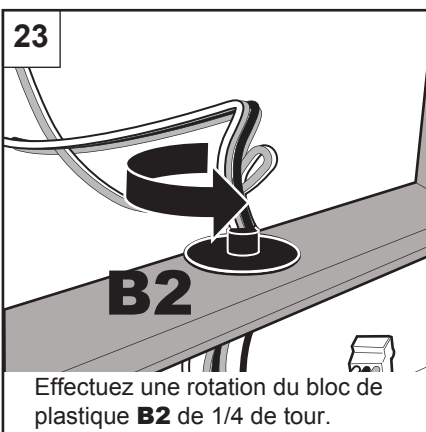
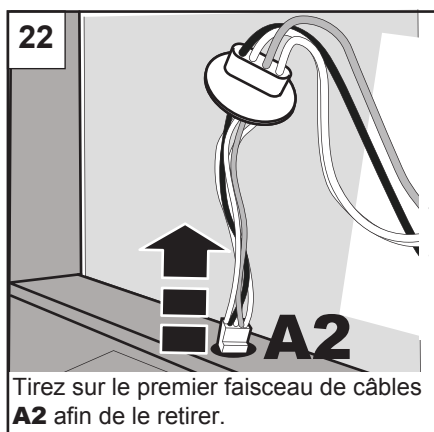
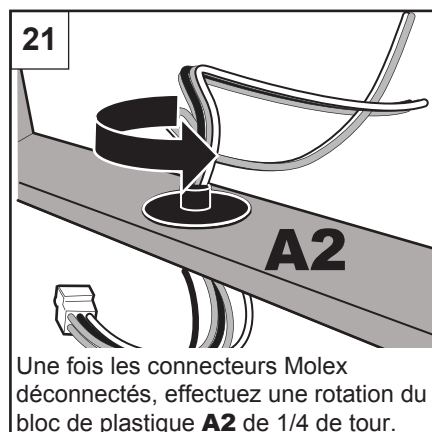
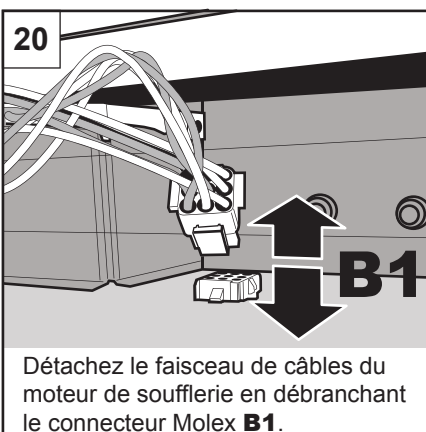
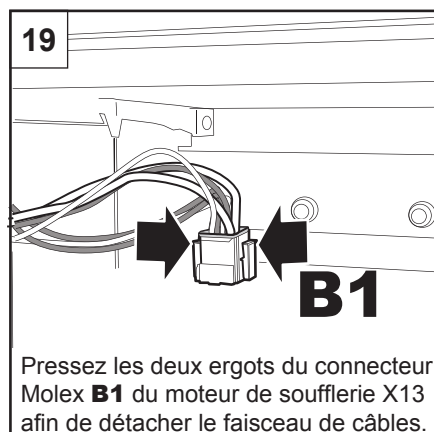
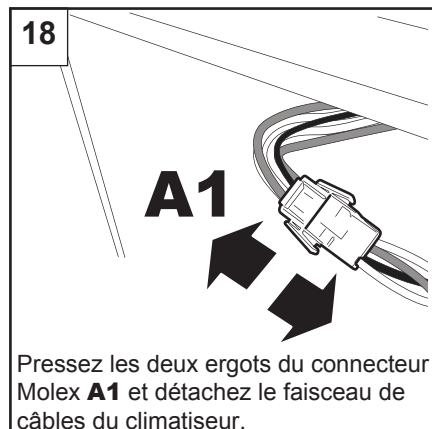
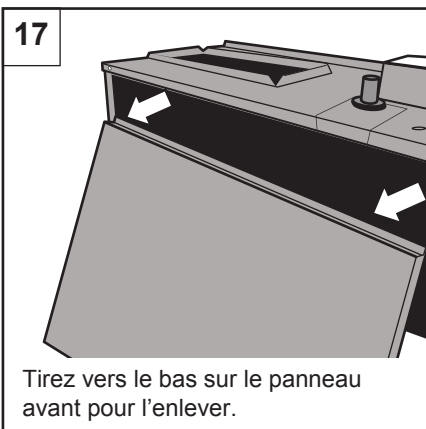
LES BRANCHEMENTS ÉLECTRIQUES DOIVENT ÊTRE EFFECTUÉS PAR UN TECHNICIEN QUALIFIÉ. DES MODIFICATIONS OU DES AJUSTEMENTS NON CONFORMES PEUVENT CAUSER UN INCENDIE OU UNE EXPLOSION ENTRAÎNANT DES DOMMAGES MATÉRIELS, DES BLESSURES CORPORELLES GRAVES OU LA MORT.

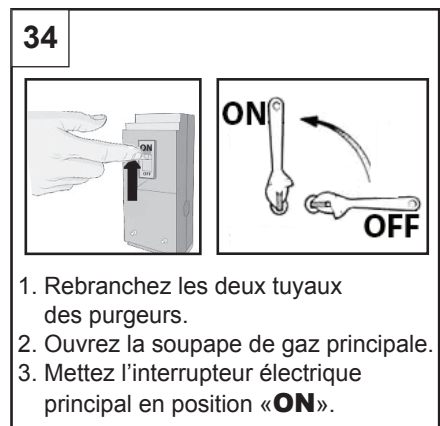
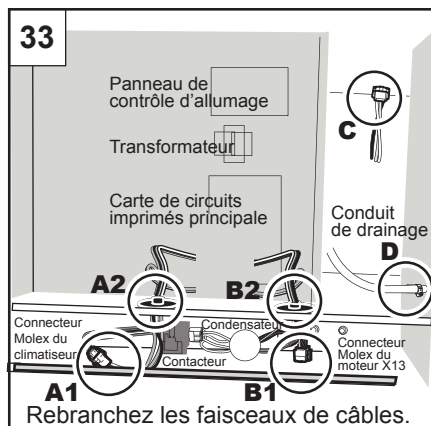
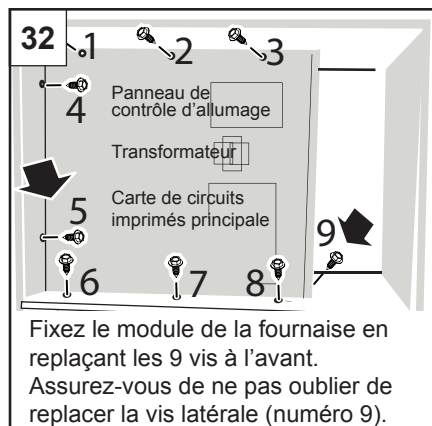
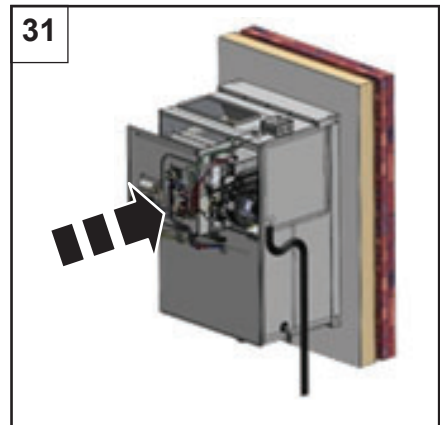
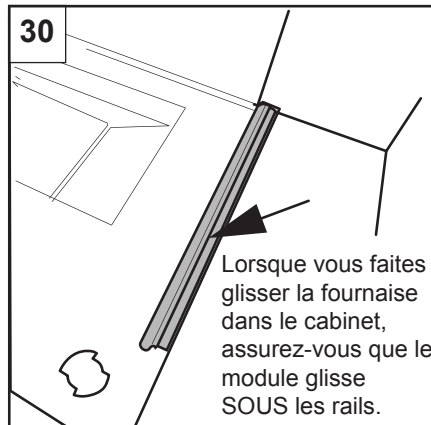
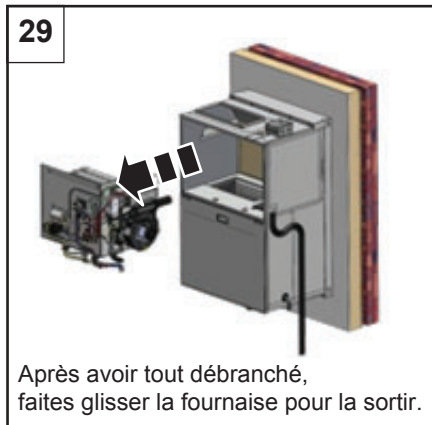
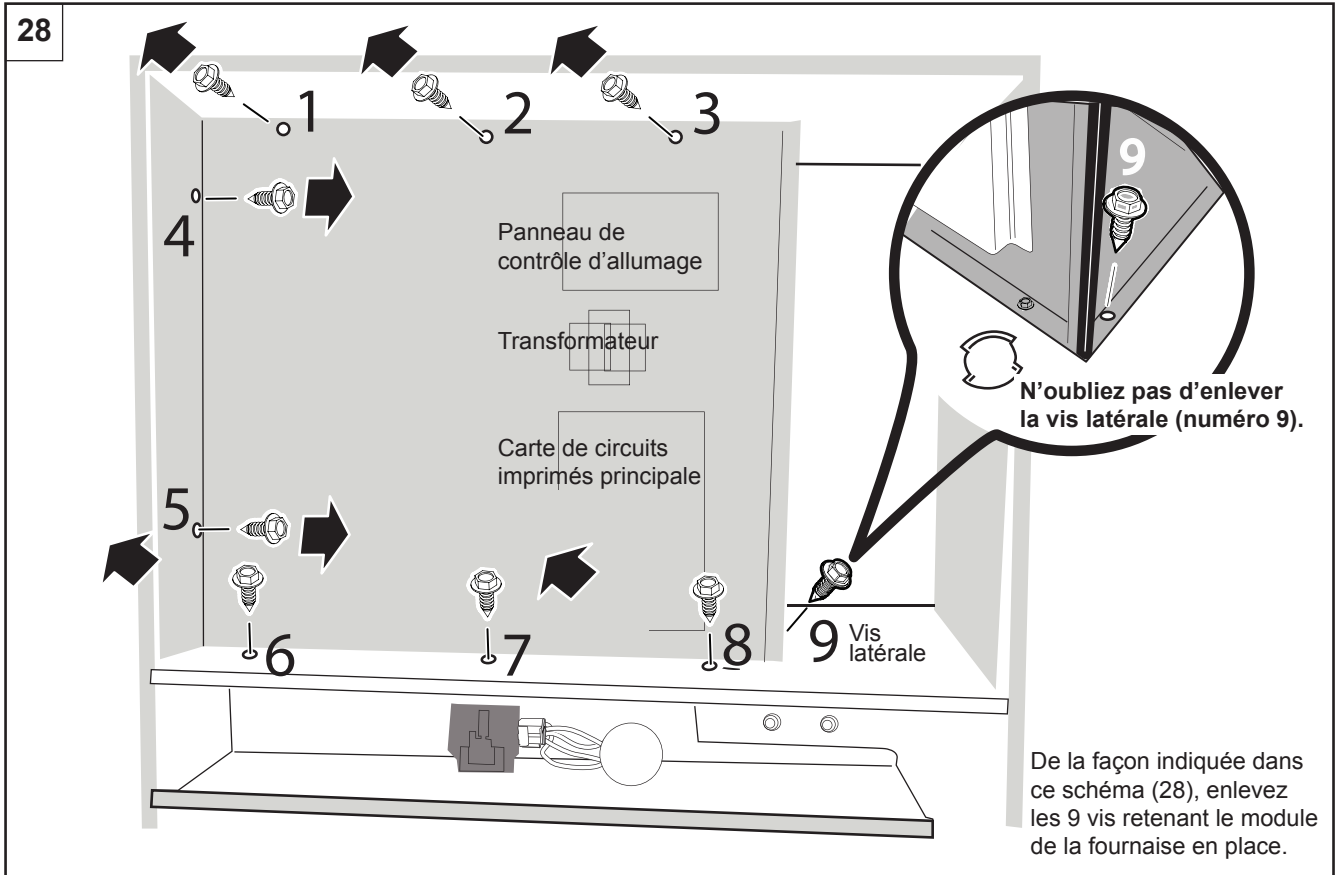


#### 4.17.4.1 Retrait des modules du climatiseur



#### 4.17.4.2 Retrait du module de la fournaise





#### 4.17.5 Câblage basse tension

Le câblage du thermostat et du contrôle doit être en cuivre d'un calibre minimal de 18 AWG. Des câbles trop longs pourraient occasionner une baisse de tension suffisante pour nuire au bon fonctionnement de la fournaise. Utilisez un câble 16 AWG pour les fils de thermostat qui excèdent 25 pieds (7,6 m) et 14 AWG pour ceux qui excèdent 50 pieds (15,2 m).

---

H53.1

#### 4.17.6 Thermostat

Le thermostat doit être installé à 5 pieds environ au-dessus du sol, sur un mur intérieur où il y a une bonne circulation d'air naturelle et où il sera exposé à des températures moyennes. Evitez les endroits où le thermostat sera exposé à des courants d'air froid, à la chaleur provenant de lampes ou d'appareils, à la lumière du soleil, à la chaleur provenant des conduits installés à l'intérieur des murs, etc.

---

H53.2

#### 4.17.7 Soufflerie

L'appareil comprend une soufflerie munie de moteurs à entraînement direct et à vitesse multiple. Les vitesses appropriées pour le chauffage et la climatisation ont été réglées préalablement en usine. Pour connaître les vitesses de chauffage et de climatisation recommandées pour un modèle en particulier, consultez le tableau 4 à la section « 5.4.1 Vérification de l'élévation de température (en mode chauffage) ». Les moteurs à entraînement direct de la soufflerie ont une lubrification permanente et ne nécessitent pas de graissage à l'huile.

#### 4.17.8 Limiteur

L'appareil est doté d'un limiteur de température fixe qui coupera l'alimentation en gaz des principaux brûleurs si, pour une raison ou une autre, il y a surchauffe de l'appareil. Le limiteur ne doit pas être déplacé et son réglage ne doit jamais être modifié.

#### 4.17.9 Installation et fonctionnement dans les zones où le climat est extrêmement froid

Dans les zones où la température extérieure peut être extrêmement froide (sous les 20 °F ou les -7 °C), certaines précautions supplémentaires doivent être prises lors de l'installation et de l'utilisation de l'appareil. Les précautions suivantes doivent être prises pour éviter un blocage du système d'évents par de la glace, ce qui pourrait entraîner une interruption de sécurité du fonctionnement des brûleurs :

1. Réglez l'appareil à la hausse de température la plus élevée possible à l'intérieur de l'étendue des élévations de température et des pressions statiques indiquées sur la plaque d'homologation. Selon le modèle, il peut être possible de diminuer la vitesse du moteur de la soufflerie de chauffage pour obtenir une élévation plus grande de la température.
2. Assurez-vous que le système de retour d'air est étanche et qu'il ne laisse pas entrer l'air de l'extérieur.
3. Veillez autant que possible à ce qu'aucune glace ne se forme sur les persiennes extérieures et n'obstrue la buse de sortie.



## 5. ALLUMAGE ET ARRÊT

L'appareil Condo Pack a été conçu pour être utilisé avec des thermostats muraux résidentiels à un stage pour la climatisation et à un stage pour le chauffage, avec changement de mode automatique ou manuel. Les thermostats avec changement de mode automatique doivent comprendre une zone morte pour éviter une fluctuation entre le mode climatisation et le mode chauffage. Les thermostats unipolaires à une direction ne sont pas adaptés et ne peuvent pas être utilisés avec l'appareil Condo Pack. Une fois que la température souhaitée est atteinte et afin de réduire les coûts de fonctionnement, la soufflerie intérieure de l'appareil s'arrête après un délai de 90 secondes. L'appareil comprend également des commandes situées sur le harnais du moteur Endura Pro permettant de changer la vitesse du moteur de la soufflerie intérieure en mode chauffage et en mode climatisation.

### 5.1 ALLUMAGE DE LA FOURNAISE

Cette fournaise est munie d'un dispositif d'allumage par étincelle. Chaque fois que le thermostat démarre le chauffage, le dispositif d'allumage par étincelle allume directement les brûleurs principaux. Consultez les instructions d'allumage sur la fournaise.

Lors du raccordement initial de l'appareil à l'alimentation en gaz, il est possible que les conduites de gaz soient remplies d'air. Pour évacuer cet air, l'installateur doit utiliser l'équipement de purge et employer les méthodes recommandées par les codes locaux et nationaux du gaz. Laissez le gaz se dissiper pendant cinq minutes avant de poursuivre la procédure d'allumage. Assurez-vous que la ventilation est adéquate.

Au moment du premier allumage, il n'est pas inhabituel qu'une odeur se dégage des registres d'air. Nous vous conseillons d'ouvrir les portes et les fenêtres avant le premier allumage afin de vous assurer d'une ventilation adéquate.

La fournaise possède un interrupteur à pression négative pour la sécurité lors des appels de chaleur. La soufflerie à tirage induit doit créer une pression négative dans l'échangeur de chaleur afin de fermer l'interrupteur à pression négative. Elle doit maintenir le niveau de pression négative au-delà d'un seuil préétabli pour que la fournaise fonctionne. Si la soufflerie à tirage induit ne peut pas fermer ou maintenir en position fermée l'interrupteur à pression négative, la fournaise demeurera éteinte ou s'arrêtera.

### REMARQUE

Il est nécessaire, même essentiel, d'amorcer l'ensemble de purgeur de condensat avant l'allumage initial. Pour ce faire, consultez les directives énoncées dans la section « Système de drainage » de ce manuel. Un purgeur à sec permettra aux résidus des gaz de combustion de circuler dans le serpentin de récupération, empêchant ainsi l'évacuation du condensat du serpentin de récupération. Si l'accumulation de condensat dans le serpentin est suffisante, l'interrupteur de pression du serpentin la détectera et coupera ses contacts électriques, puis éteindra la combustion. Si cela se produit, la soufflerie induite s'éteindra après un bref cycle post-purge, le condensat se videra et remplira le purgeur. Si le thermostat redémarre le chauffage, la séquence de démarrage recommencera après 5 minutes.

### ⚠ AVERTISSEMENT ⚠

**OMETTRE D'ÉTANCHÉISER LES RACCORDS EN T AVEC LES CAPUCHONS ENTRAÎNERA UN RISQUE D'EMPOISONNEMENT AU MONOXYDE DE CARBONE!**

1. Coupez l'alimentation électrique de l'appareil et réglez le thermostat au plus bas.
2. Mettez le thermostat en mode **CHAUFFAGE**.
3. Retirez la porte d'accès du compartiment du brûleur.

### ⚠ IMPORTANT ⚠

**ASSUREZ-VOUS QUE L'INTERRUPTEUR DE LA SOUPAPE DE GAZ MANUELLE EST À LA POSITION « OFF » DEPUIS AU MOINS 5 MINUTES. NE TENTEZ PAS D'ALLUMER LES BRÛLEURS PRINCIPAUX MANUELLEMENT.**

4. Mettez l'interrupteur de la soupape de gaz à la position « ON ».
5. Remettez la porte d'accès du compartiment du brûleur.
6. Mettez la soupape d'arrêt manuelle à la position « ON ».
7. Rétablissez l'alimentation électrique de la fournaise.
8. Réglez le thermostat à une température plus élevée que la température ambiante pour allumer la fournaise.
9. Après que les brûleurs sont allumés, réglez le thermostat à la température désirée.



## 5.2 ARRÊT DE LA FOURNAISE

1. Réglez le thermostat de la pièce sous la valeur établie.
2. Retirez la porte d'accès du compartiment du brûleur.
3. Mettez l'interrupteur de la soupape de gaz à la position « OFF ».
4. La soupape d'arrêt de la fournaise peut être fermée.
5. La fournaise doit rester allumée pour que le climatiseur fonctionne.

### ⚠ IMPORTANT ⚠

SI VOUS PRÉVOYEZ VOUS ABSENTER DE LA MAISON POUR DE LONGUES PÉRIODES PENDANT LA SAISON OÙ LE CHAUFFAGE N'EST PAS REQUIS, IL EST RECOMMANDÉ DE SUIVRE LA PROCÉDURE D'ARRÊT DE LA FOURNAISE.

### ⚠ AVERTISSEMENT ⚠

EN CAS DE SURCHAUFFE OU SI LES BRÛLEURS DE GAZ NE SE FERMENT PLUS, FERMEZ LA SOUPAPE DE GAZ MANUELLE DE LA FOURNAISE AVANT DE COUPER L'ALIMENTATION ÉLECTRIQUE DE LA FOURNAISE. SI CES INSTRUCTIONS NE SONT PAS SUIVIES À LA LETTRE, UN INCENDIE OU UNE EXPLOSION POURRAIENT S'ENSUIVRE, CAUSANT DES DOMMAGES MATÉRIELS, DES BLESSURES CORPORELLES OU LA MORT.

AVANT DE REDÉMARRER LA FOURNAISE, INSPECTEZ TOUS LES ÉVÉNEMENTS DE PLASTIQUE ET LE CÂBLAGE POUR VÉRIFIER QU'ILS N'ONT PAS ÉTÉ ENDOMMAGÉS.

H3.24.1\_FR

## 5.3 MISE EN MARCHÉ DU CLIMATISEUR

### REMARQUE

Lorsque l'appareil fonctionne, le module de climatisation éliminera l'humidité présente dans l'air. L'humidité se condensera sur le serpentin évaporateur pour ensuite s'écouler dans le plateau situé sous le serpentin. Un tuyau en caoutchouc (« siphon en P ») achemine l'eau recueillie vers le collecteur de l'immeuble. Avant la première utilisation de l'appareil ou au début de chaque saison de climatisation, il est important d'amorcer le siphon en P. Si le siphon en P s'assèche, l'air peut remonter dans le tuyau, déloger le condensat du serpentin et mouiller le filtre à air et d'autres composants. Pour savoir comment amorcer le purgeur de condensat, consultez les instructions à la section « 4.9 RACCORDS DES CONDUITS DE DRAINAGE ».

1. Mettez le thermostat en mode **CLIMATISATION**.
2. Réglez le thermostat de la pièce sous la température ambiante pour que le climatiseur se mette en marche.
3. Attendez que le ventilateur et le compresseur se mettent en marche et faites fonctionner l'appareil pendant au moins 10 minutes.
4. L'alimentation électrique vers le climatiseur doit rester allumée pour que la fournaise fonctionne.

### ⚠ AVERTISSEMENT ⚠

NE FAITES PAS FONCTIONNER LE CLIMATISEUR LORSQUE LA TEMPÉRATURE EXTÉRIEURE EST INFÉRIEURE À 55 °F (13 °C).

## 5.4 CIRCULATION D'AIR

La circulation d'air au-dessus de l'échangeur d'air est très importante pour que l'appareil fonctionne bien. Une circulation d'air insuffisante accélère la fatigue du métal, pourrait causer un bris de l'échangeur de chaleur et pourrait réduire l'efficacité. Une circulation d'air excessive favorisera la corrosion de l'échangeur de chaleur.

**IMPORTANT :**  
**N'OMETTEZ PAS CETTE ÉTAPE DES**  
**PROCÉDURES DE MISE EN MARCHÉ.**

H22.0

### 5.4.1 Vérification de l'élévation de température (en mode chauffage)

Lorsque le système de conduits est complètement installé et que les filtres à air sont en place, déterminez si la circulation d'air est adéquate.

1. Insérez un thermomètre à conduit dans le conduit d'alimentation d'air. Le thermomètre doit être placé aussi près que possible de l'appareil, mais hors de la « ligne de visée » de l'échangeur de chaleur (afin de prévenir les fausses lectures causées par la chaleur radiante). Assurez-vous que l'emplacement du thermomètre se situe à l'intérieur du courant d'air principal. Évitez les emplacements tels que le rayon intérieur d'un coude, etc.
2. Insérez un thermomètre à conduit dans le conduit de retour d'air, le plus près possible de l'appareil. Assurez-vous que le thermomètre ne sera pas influencé par les conduits de dérivation d'un humidificateur, etc. Choisissez un emplacement qui est bien à l'intérieur du courant d'air principal.
3. Faites fonctionner l'appareil suffisamment longtemps pour obtenir des conditions stables au débit d'alimentation indiqué sur la plaque d'homologation de la fournaise.
4. Lorsque les deux thermomètres sont stables, habituellement dans un délai de cinq à huit minutes, comparez les deux lectures. Soustrayez la température de retour d'air de la température d'alimentation en air. La différence équivaut à l'élévation de température, aussi appelée  $\Delta T$ .
5. Comparez la  $\Delta T$  mesurée à l'échelle d'élévation de température indiquée sur la plaque d'homologation.
6. À moins d'avis contraire sur la plaque d'homologation, l'élévation de température doit habituellement se situer entre 35 °F et 65 °F (20 °C et 36 °C). Lors de son ajustement, l'élévation de température idéale est d'environ 28 °C (50 °F).
7. Si la  $\Delta T$  mesurée se situe au-dessus des températures approuvées, alors la circulation d'air est insuffisante. Elle doit être augmentée en retirant les obstructions dans les conduits, en ajoutant un conduit d'alimentation ou de retour d'air, ou en sélectionnant une vitesse du moteur plus rapide.

\*\*\* Si la  $\Delta T$  mesurée est trop faible, alors la circulation d'air est trop forte.

**TABLEAU 4.**

----- PCM (PI3/MIN) À UNE PRESSION STATIQUE EXTERNE DONNÉE, EN POUCES DE COLONNE D'EAU								
MODEL	CHAUFFAGE	RÉGLAGE	No° du connecteur de vitesse	0.1	0.2	0.3	0.4	0.5
C15A	15 kBTU/h	Usine	5	440	390	330	295	240
		Élevé	4	570	530	495	470	415
C30A	30 kBTU/h	Usine	4	570	530	495	470	415
		Élevé	3	770	745	730	705	695
C40A	40 kBTU/h	Usine	3	770	745	730	705	695
		Élevé	2	925	910	885	870	840
C50A	50 kBTU/h	Usine	2	925	910	885	870	840
		Élevé	s.o.	s.o.	s.o.	s.o.	s.o.	
MODEL	REFROIDISSEMENT	RÉGLAGE						
A12A	1,0 tonne	Usine	5	440	390	330	295	240
		Élevé	4	570	530	495	470	415
A18A	1,5 tonnes	Usine	1	645	600	560	530	470
		Élevé	3	770	745	730	705	695

## 5.4.2 Évaluation de la circulation d'air / vérification de la capacité

Dans certaines circonstances, il peut être souhaitable de connaître la quantité d'air fournie par le système de conduits, par exemple lorsqu'on évalue la quantité d'air disponible pour la climatisation. Il est possible de prendre une mesure directe à l'aide de manomètres et de vélocimètres électroniques ou à cadran, ou utilisez la formule de la colonne suivante.

**IMPORTANT:** Assurez-vous d'avoir installé toutes les portes / le panneau d'accès sur l'équipement avant de mesurer Delta T.

$$\text{PCM (pi}^3\text{/min)} = \frac{\text{Débit}}{1,085 \times \Delta T}$$

Où :

- PCM (pi<sup>3</sup>/min) représente le débit d'air en pieds cubes par minute;
- ΔT représente l'élévation de température; et
- Débit représente la capacité de l'appareil selon la plaque d'homologation.

## 5.4.3 Réglages – Climatisation

Aucun réglage n'est requis ni ne devrait être tenté en ce qui a trait à l'ensemble des composantes du châssis de refroidissement. Le châssis de climatisation doit être vérifié afin de veiller à ce qu'aucun câble ne soit lâche ou manquant. Le châssis de climatisation contient le frigorigène R410A.

## 6. ENTRETIEN

### 6.1 RÈGLES DE SÉCURITÉ GÉNÉRALES

1. Les matériaux combustibles ne doivent pas être entreposés à proximité de cet appareil. Gardez l'appareil et ses environs propres et exempts de matériaux combustibles tels que journaux, chiffons, cartons, mousse, plastique, isolant en fibre de verre avec papier, vêtements, etc. Ceci est d'autant plus valable pour l'essence et les autres vapeurs et liquides inflammables.
2. Cette fournaise est certifiée selon les normes ETL en tant que fournaise à évacuation directe ou indirecte de catégorie IV. Elle a été conçue pour fonctionner avec deux conduits (air comburant extérieur). Pour un fonctionnement adéquat, l'appareil requiert un volume d'air comburant suffisant. Évitez de bloquer la terminaison de la prise d'air comburant ou les prises d'air acheminant l'air comburant dans la zone où est installé l'appareil.
3. Toutes les portes et tous les panneaux doivent être en place lors du fonctionnement normal de l'appareil, sinon il pourrait y avoir formation de monoxyde de carbone.
4. Si l'appareil est installé dans un espace confiné ou si vous souhaitez construire une chaufferie d'immeuble dans un endroit où se trouve de l'isolant, soyez conscient que certains matériaux isolants sont combustibles. Ne laissez aucun matériau d'isolation entrer en contact avec l'appareil.
5. Tout ajout ou toute modification nécessaires afin que l'appareil satisfasse aux exigences doivent être faits par un installateur qualifié, une agence de service ou un fournisseur de gaz, à l'aide de pièces certifiées.
6. Familiarisez-vous avec l'emplacement de la soupape d'arrêt manuelle du gaz, de l'interrupteur de courant, du fusible ou du disjoncteur associés à l'appareil.
7. Ne pas laisser la neige, la glace ou les débris s'accumuler autour du conduit d'évacuation et de la prise d'air comburant. Le blocage de l'une de ces terminaisons peut entraîner un fonctionnement inadéquat ou des arrêts indésirables.
8. Familiarisez-vous avec l'emplacement du filtre de votre appareil. Un filtre à air bloqué réduira l'efficacité, augmentera la consommation de combustible, élèvera la température de fonctionnement de l'appareil et réduira la durée de vie de ses composants.
9. Ne couvrez pas les grilles de retour d'air et les registres d'alimentation en air avec des draperies, des rideaux, des carpettes, etc.
10. Évitez de fermer les registres d'alimentation en air dans le but de garder la chaleur. Bien que cette pratique ait une certaine validité dans le cas du chauffage par zone, le gain est faible pour les systèmes de chauffage centraux. Pour fonctionner selon les températures prévues, un certain volume d'air doit circuler au-dessus de l'échangeur de chaleur de l'appareil. Réduire le nombre de registres d'alimentation en air disponibles pourrait accroître la température de fonctionnement de l'appareil, ce qui en réduirait l'efficacité et diminuerait la durée de vie de ses composants.

#### **⚠ AVERTISSEMENT ⚠**

**COUPEZ L'ALIMENTATION ÉLECTRIQUE DE L'APPAREIL AVANT D'EFFECTUER L'ENTRETIEN. NE PAS RESPECTER CES DIRECTIVES POURRAIT OCCASIONNER UNE DÉCHARGE ÉLECTRIQUE, CAUSANT DES BLESSURES CORPORELLES OU LA MORT.**

#### **⚠ ATTENTION ⚠**

**AVANT DE PROCÉDER À L'ENTRETIEN DES CONTRÔLES, ÉTIQUETEZ TOUS LES FILS, PUIS DÉBRANCHEZ-LES. UN CÂBLAGE INCORRECT POURRAIT RENDRE LE FONCTIONNEMENT INAPPROPRIÉ ET DANGEREUX.  
VÉRIFIEZ TOUJOURS LE FONCTIONNEMENT APRÈS L'ENTRETIEN.**

H3.25

## 6.2 CHÂSSIS DE CLIMATISATION

Le châssis de climatisation comprend tous les éléments rattachés au système de refroidissement de l'appareil, en plus de contenir le moteur du ventilateur intérieur utilisé lors du chauffage et de la climatisation. Pour un entretien approfondi, il est possible que le personnel qualifié retire le châssis de climatisation de l'appareil pour le transporter dans une aire de travail. L'accumulation de poussière et de débris sur le serpentin du condenseur extérieur restreint le débit d'air dans le condenseur, ce qui fait réduire l'efficacité et augmenter le coût de climatisation et de chauffage.

### ⚠ IMPORTANT ⚠

**PRENEZ SOIN DE NE PAS ENDOMMAGER LES AILETTES D'ALUMINIUM DU SERPENTIN.**

Le technicien de service CVC peut nettoyer le serpentin du condenseur en passant soigneusement l'aspirateur sur la face extérieure du serpentin. Si nécessaire et si possible, la face intérieure du serpentin doit également être nettoyée avec précaution au moyen de l'aspirateur. Les moteurs de la soufflerie intérieure et du ventilateur extérieur sont dotés de roulements à billes avec lubrification permanente et ne nécessitent par conséquent aucun entretien périodique. Le système de réfrigération est scellé et rempli en usine avec du frigorigène R410A, de sorte qu'aucun entretien périodique n'est nécessaire. Il est recommandé de nettoyer le serpentin extérieur, le serpentin intérieur, le plateau d'écoulement et l'intérieur du bas du châssis au moins une fois par année, et de façon plus fréquente si l'appareil est utilisé dans un milieu poussiéreux ou difficile. Les commandes électriques ne nécessitent aucun entretien périodique.

Fermez toujours l'alimentation électrique de l'appareil avant d'entreprendre toute tâche d'entretien ou d'enlever le module de chauffage ou de climatisation. L'appareil comporte un raccord électrique et un circuit de contrôle électrique qui permettent de débrancher et de rebrancher facilement les fils entre le châssis de climatisation et le cabinet. Il faut retirer le panneau avant de la fournaise pour accéder aux faisceaux de câbles. Les deux panneaux doivent être remis en place après la réinstallation du châssis de climatisation. Reportez-vous à la section du présent manuel intitulée « 4.17.4.1 Retrait des modules du climatiseur ».

## 6.3 FILTRE À AIR

L'air de retour intérieur doit être filtré. Un filtre permanent est préinstallé sur l'appareil. Il est situé dans le module de climatisation. Ce filtre à air est en fibre naturelle lavable. Il doit être inspecté fréquemment et doit être nettoyé ou remplacé lorsque nécessaire.

### ⚠ ATTENTION ⚠

**NE FAITES PAS FONCTIONNER CET ÉQUIPEMENT SANS FILTRE À AIR.**

Une partie de la poussière présente dans l'air pourrait se loger temporairement dans les conduits d'air et dans les registres d'alimentation. Toute particule de poussière en recirculation sera chauffée et carbonisée, puisqu'elle entrera en contact avec l'échangeur de chaleur. Ces résidus saliront les plafonds, les murs, les draperies, les tapis, les meubles et tout autre article ménager.

### ⚠ AVERTISSEMENT ⚠

**COUPEZ L'ALIMENTATION ÉLECTRIQUE DE L'APPAREIL AVANT D'EN EFFECTUER L'ENTRETIEN. NE PAS RESPECTER CES DIRECTIVES POURRAIT OCCASIONNER UN CHOC ÉLECTRIQUE, CAUSANT DES BLESSURES CORPORELLES OU LA MORT.**

### ⚠ ATTENTION ⚠

LORSQUE VOUS RÉINSTALLEZ LE FILTRE, ASSUREZ-VOUS TOUJOURS QUE LA DIRECTION DU DÉBIT D'AIR EST LA MÊME QU'AVANT QUE VOUS ENLEVIEZ LE FILTRE. L'INVERSION DU FILTRE PROVOQUERA LA LIBÉRATION DE LA POUSSIÈRE QUI Y EST EMPRISONNÉE, ET CETTE DERNIÈRE RECIRCULERA DANS LE SYSTÈME DE CONDUITS. CONSULTEZ VOTRE INSTALLATEUR OU UN TECHNICIEN DE SERVICE SI VOUS AVEZ DES QUESTIONS SUR LA FAÇON DE RETIRER OU DE RÉINSTALLER LE FILTRE À AIR.

H27.1\_AC

## 6.4 LUBRIFICATION

Le moteur du ventilateur d'évacuation et le moteur de la soufflerie comportent des roulements à billes scellés. Aucune lubrification n'est requise.

### ⚠ IMPORTANT ⚠

**LES ROULEMENTS À BILLES DU MOTEUR ONT ÉTÉ LUBRIFIÉS PAR LE FABRICANT DU MOTEUR. NE TENTEZ PAS DE LES LUBRIFIER. UN EXCÈS DE LUBRIFICATION ANNULERA LA GARANTIE, RÉDUIRA LA DURÉE DE VIE DES MOTEURS ET FAVORISERA L'ACCUMULATION DE POUSSIÈRE ET DE SALETÉ.**

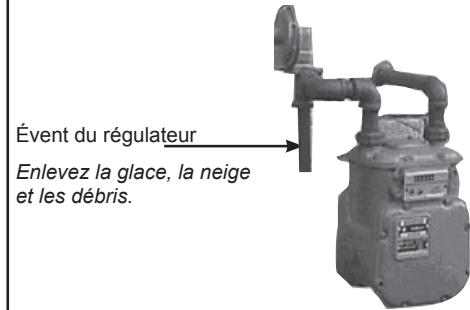
## 6.5 COMPTEUR DE GAZ

La plupart des systèmes au gaz naturel et tous les systèmes au propane possèdent un régulateur de service situé près du point où le tuyau de gaz entre dans l'immeuble.

Le réservoir de propane possède normalement un régulateur de première étape situé sur la soupape de sortie du réservoir. Tous ces régulateurs (situés à l'extérieur) possèdent un événement (Figure 2).

Il est important que ces événements demeurent dégagés. Ne laissez pas l'humidité s'accumuler dans l'événement, elle risquerait de geler. Si vous constatez une telle accumulation d'humidité dans l'événement du régulateur, communiquez avec votre fournisseur de gaz.

FIG. 2 - ÉVÉNEMENT DU RÉGULATEUR DE GAZ



### ⚠ AVERTISSEMENT ⚠

**L'OBSTRUCTION DE L'ÉVÉNEMENT D'UNE BONBONNE DE PROPANE OU D'UN RÉGULATEUR DE RÉSERVOIR PEUT PROVOQUER UN INCENDIE OU UNE EXPLOSION, CAUSANT DES DOMMAGES MATÉRIELS, DES BLESSURES CORPORELLES GRAVES OU LA MORT.**

**VOTRE FOURNISSEUR DE GAZ DOIT INSPECTER ET NETTOYER PÉRIODIQUEMENT LE FILTRE DE L'ÉVÉNEMENT POUR PRÉVENIR TOUTE OBSTRUCTION. MAINTENEZ LE COUVERCLE DE PROTECTION DU RÉGULATEUR EN PLACE POUR PRÉVENIR L'ACCUMULATION DE GLACE ET EMPÊCHER LE BRIS DU RÉGULATEUR.**

## 6.6 ENTRETIEN PÉRIODIQUE

### TOUS LES TROIS MOIS:

- Nous recommandons une inspection mensuelle du filtre au début, puis tous les trois mois.

### CHAQUE ANNÉE:

- Le siphon d'amorçage doit être inspecté au début de chaque saison. Ajoutez de l'eau si nécessaire.
- Vérifiez que les capuchons des raccords cannelés sont étanches, que les conduits de condensation sont propres et que les brides des tuyaux sont bien fixées.

### ⚠ IMPORTANT ⚠

**NOUS RECOMMANDONS QUE L'APPAREIL ET LES CONDUITS D'ÉVACUATION ET D'AIR COMBURANT SOIENT INSPECTÉS ANNUELLEMENT PAR UN TECHNICIEN DE SERVICE QUALIFIÉ.**

Il est bon d'effectuer une inspection rapide de votre appareil chaque fois que vous inspectez ou nettoyez le filtre à air.

### Éléments à inspecter:

- Vérifiez l'appareil pour y déceler tout signe évident de détérioration.
- Vérifiez les conduits d'évacuation et d'air comburant pour vous assurer qu'ils sont bien fixés à l'appareil. Ils ne doivent pas être lâches et doivent avoir une pente ascendante de 6 mm (¼ po) par 305 mm (1 pied), jusqu'au mur extérieur ou à la terminaison.
- Il ne doit jamais y avoir de traces d'eau sur le plancher, sous l'évacuation. Des traces d'eau pourraient indiquer un joint fuyant.
- Tout le système de conduits doit être fixé à l'appareil et doit être bien soutenu d'un bout à l'autre.
- L'eau doit s'écouler librement par le tuyau de drainage du condensat. Vous pouvez en faire la vérification lorsque l'appareil fonctionne, en observant si le tuyau d'écoulement du condensat, en provenance du drain à siphon, évacue son contenu dans un drain au sol. Si les tuyaux de drainage sont opaques, votre technicien de service les examinera lors de l'inspection annuelle.
- Le brûleur de gaz doit être inspecté de temps à autre lors de la saison de chauffage afin de s'assurer que les flammes sont bien définies et bleues. Un peu de couleur orangée dans la flamme n'indique pas nécessairement un problème et est probablement causé par la combustion de particules de poussière. Si vous observez des flammes jaunes et diffuses, contactez votre technicien de service immédiatement. Les flammes jaunes mènent inévitablement à la formation de suie.
- Inspectez occasionnellement la prise d'air comburant et les terminaisons d'évacuation pour vous assurer qu'elles ne sont pas bloquées par des débris.

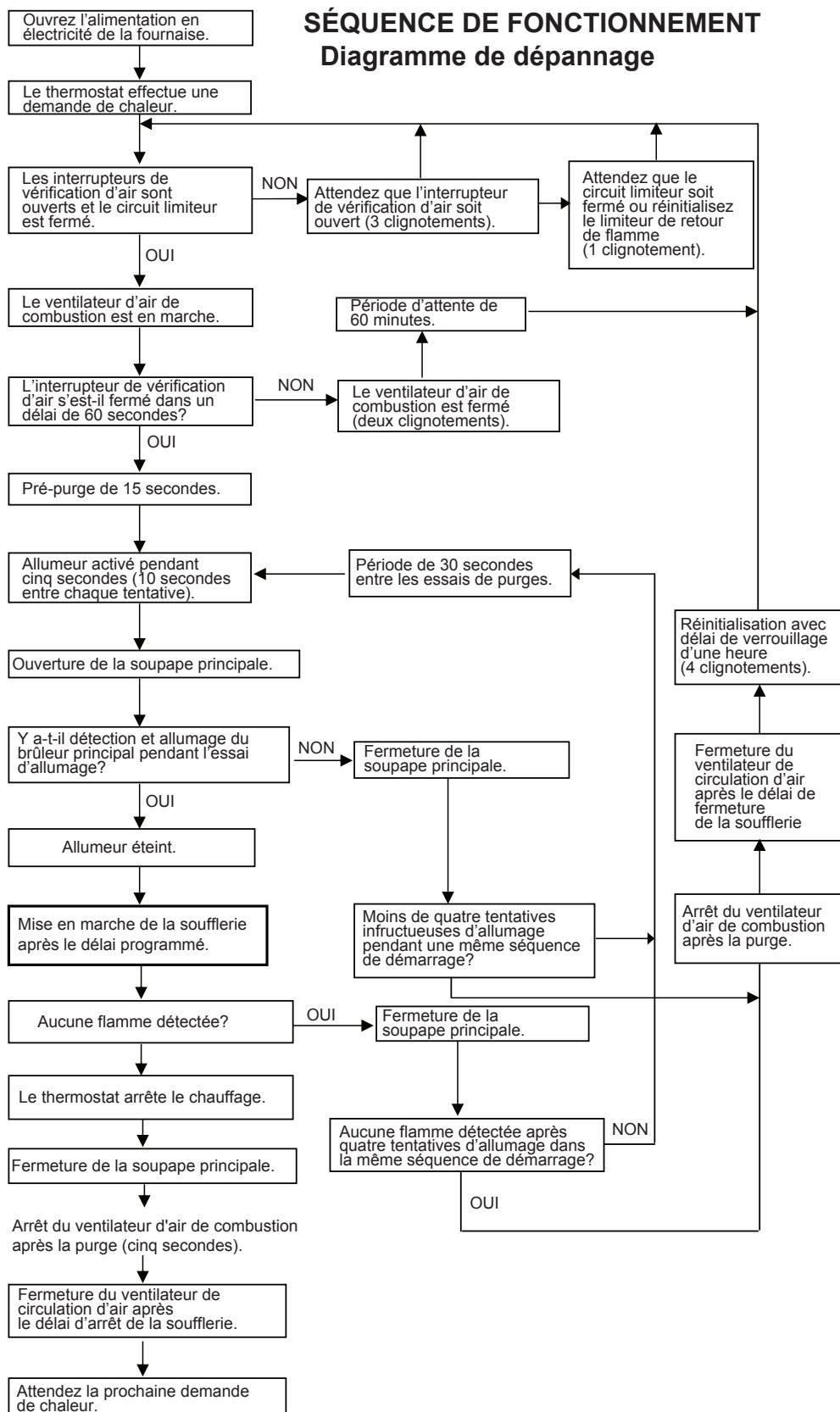


## 7. GUIDE DE DÉPANNAGE

## 7.1 DIAGRAMME DE DÉPANNAGE DE LA FOURNAISE

MIO

TABLEAU 5.



## 7.2 GUIDE DE DÉPANNAGE DU CLIMATISEUR

TABLEAU 6.

GUIDE DE DÉPANNAGE DU CLIMATISEUR		
AVERTISSEMENT!	CE GUIDE DE DÉPANNAGE EST DESTINÉ AUX TECHNICIENS QUALIFIÉS SEULEMENT!	
SYMPTÔME	CAUSE POSSIBLE	MESURE CORRECTIVE
<b>L'unité ne fonctionne pas.</b>	L'alimentation électrique est débranchée ou mal branchée.	Vérifiez l'alimentation électrique de l'appareil. Vérifiez la tension du contacteur.
	Le fusible est sauté ou le disjoncteur est déclenché.	Remplacez le fusible ou réinitialisez le disjoncteur.
	Le thermostat est mal réglé ou réglé à une température trop élevée.	Réinitialisez le thermostat.
	Le contacteur est défectueux.	Vérifiez s'il y a une tension de 24 V c.a. à la bobine du contacteur. Remplacez le contacteur s'il est ouvert.
	Le transformateur est défectueux.	Vérifiez le câblage – remplacez le transformateur.
	L'interrupteur haute pression est ouvert (si fourni).	Réinitialisez – vérifiez le branchement de l'interrupteur haute pression.
<b>Le ventilateur extérieur est en marche; le compresseur est arrêté.</b>	Le condensateur de démarrage ou de fonctionnement est défectueux.	Remplacer.
	Le relais de démarrage est défectueux.	Remplacer.
	Un fil est desserré.	Vérifiez que la tension du compresseur est adéquate – vérifiez et resserrez toutes les connexions.
	Le compresseur est bloqué, l'enroulement du moteur est ouvert ou mis à la terre, la surcharge interne est ouverte.	Attendez au moins deux heures pour la réinitialisation de la surcharge. Si la surcharge est toujours ouverte, remplacez le compresseur.
<b>La climatisation est insuffisante.</b>	La tension est trop basse.	Ajoutez des composants à l'ensemble de démarrage.
	La capacité de l'unité est insuffisante	Recalculez la capacité requise.
	Le débit d'air à l'intérieur est inadéquat.	Vérifiez-le. Il devrait être d'environ 400 pi <sup>3</sup> /min par tonne.
	La charge du réfrigérant est inadéquate.	Rétablissez la charge conformément à la procédure présentée dans le manuel d'installation.
	Il y a présence d'air, de gaz non condensable ou d'humidité dans le système.	Récupérez le réfrigérant.
<b>Le compresseur effectue des cycles courts.</b>	La tension est inadéquate.	Aux bornes du compresseur, lorsque l'unité fonctionne, la tension doit dépasser de 10 % l'indication apparaissant sur la plaque signalétique.
	Le dispositif de protection contre les surcharges est défectueux.	Remplacez-le – vérifiez que la tension est adéquate.
	Le réfrigérant se décharge.	Ajoutez du réfrigérant.
<b>Il y a une forte pression de refoulement et une faible pression d'aspiration.</b>	Il y a obstruction de la conduite liquide, de la vanne de détente ou du filtre sec.	Retirez ou remplacez le composant défectueux.
	Le débit d'air à l'intérieur est insuffisant.	Vérifiez et nettoyez les filtres, les registres ou les serpentins évaporateurs qui pourraient causer l'obstruction.
<b>Il y a une forte pression de refoulement et une pression normale d'aspiration.</b>	L'échangeur extérieur est sale.	Nettoyez le serpentins.
	La charge de réfrigérant est trop grande.	Corrigez la charge du système.
	Le ventilateur extérieur ne fonctionne pas.	Réparez-le ou remplacez-le.
<b>Il y a une faible pression de refoulement et une forte pression d'aspiration.</b>	Il y a présence de gaz non condensable ou d'air dans le système.	Récupérez le réfrigérant, évacuez-le et rechargez le système.
	La vanne de détente est coincée en position ouverte.	Remplacez la vanne de détente.
<b>Il y a une faible pression d'aspiration; le compresseur est froid et de la glace se forme sur le serpentins intérieurs</b>	Les soupapes du compresseur sont défectueuses.	Remplacez le compresseur.
	Le débit d'air à l'intérieur est insuffisant.	Augmentez la vitesse du moteur du ventilateur ou réduisez le niveau d'obstruction – remplacez le filtre à air.
	L'unité est utilisée à une température extérieure qui est inférieure à 65 °F (18 °C).	Installez l'ensemble conçu pour basse température ambiante.
	Il y a de l'humidité dans le système.	Récupérez le réfrigérant – évacuez-le et rechargez le système – remplacez le filtre à air.

TABLEAU 6. CONT.

CE GUIDE DE DÉPANNAGE EST DESTINÉ AUX TECHNICIENS QUALIFIÉS SEULEMENT!		
AVERTISSEMENT!		
SYMPTÔME	CAUSE POSSIBLE	MESURE CORRECTIVE
Il y a une forte pression d'aspiration ou une fluctuation de la pression de refoulement et de la pression d'aspiration.	La charge est trop importante.	Vérifiez à nouveau le calcul de la charge.
	Le compresseur est défectueux.	Remplacer.
	Le détendeur thermostatique fonctionne de façon instable.	Vérifiez la bride du bulbe du détendeur thermostatique – vérifiez la distribution d'air sur le serpentín – remplacez le détendeur thermostatique.
La vanne de détente ou la conduite liquide produit un bruit de vibration.	Il y a présence de gaz non condensable ou d'air dans le système.	Récupérez le réfrigérant, évacuez-le et rechargez le système.
	Il y a présence de gaz non condensable ou d'air dans le système.	Récupérez le réfrigérant, évacuez-le et rechargez le système.
Les registres suintent.	Le débit d'air à l'intérieur est insuffisant.	Augmentez la vitesse de la soufflerie ou réduisez le niveau d'obstruction – remplacez le filtre à air.

MIO

## 7.3 RÉGLAGE DE LA CHARGE NOMINALE

En usine, l'appareil est rempli de la quantité adéquate de réfrigérant. Il est cependant possible, dans certains cas, que la charge de réfrigérant doive être modifiée. Par exemple, une fuite de réfrigérant ou l'ajout de composants au système aux fins d'entretien ou de surveillance nécessitera un nouveau réglage de la charge pour que l'appareil continue de fonctionner adéquatement. Il est à noter que seuls des techniciens qualifiés en CVC peuvent effectuer un réglage de la charge de réfrigérant. Dans les cas où il n'est pas possible d'ajuster la charge, il est recommandé de récupérer complètement la charge restante du système et de recharger le système en utilisant la quantité de réfrigérant indiquée dans le tableau ci-dessous ou selon la charge totale indiquée sur la plaque d'homologation.

### 7.3.1 Procédure d'utilisation des modèles à détendeurs thermostatiques

#### Procédure :

- Utilisez l'appareil dans des conditions respectant le plus possible les normes de l'AHRI (80 °F température du thermomètre sec / 67 °F température du thermomètre mouillé à l'intérieur, 82 °F à l'extérieur [température du thermomètre sec]).
- Raccordez le tuyau de chargement à l'orifice de la bouteille de liquide frigorigène et à l'orifice de chargement de l'appareil.
- Ouvrez la bouteille de liquide frigorigène et purgez le tuyau au raccord de la bouteille.
- Installez provisoirement un instrument de mesure de la température sur la conduite de liquide, à proximité du détendeur thermostatique, et un autre sur la conduite d'aspiration. Assurez-vous que les instruments de mesure de la température sont adéquatement isolés et en contact avec les conduites afin qu'ils prennent une mesure exacte de la température.
- Faites fonctionner le système pendant au moins 10 minutes.
- Vérifiez le sous-refroidissement et la chaleur de surchauffe. La température de sous-refroidissement d'un système doté d'un détendeur thermostatique doit correspondre au tableau suivant :

Module de climatisation Condo Pack (type à détendeur thermostatique) — Charte de chargement							
Numéro du modèle du module de climatisation	Charge en usine	OD Temp. air ext. Th sec °F	ID Temp. air ext. Th sec °F	Haute pression lb/po2	Basse pression lb/po2	Sous-refroidissement °F	Surchauffe °F
A18A	33 OZ	95	80	392	153	7	5

TABLEAU 7.

- Si la température de sous-refroidissement est basse et que celle de surchauffe est élevée ou normale, augmentez la charge de liquide frigorigène pour obtenir la température de sous-refroidissement requise.
- Si la température de sous-refroidissement est élevée ou normale et que celle de surchauffe est basse, diminuez la charge de liquide frigorigène pour obtenir la température de sous-refroidissement requise.

### 7.5.1 Procédure d'utilisation des modèles à orifice fixe

#### Procédure :

1. Suivez les étapes 1 à 3 de la section précédente « Procédure d'utilisation des modèles à détendeurs thermostatiques ».
2. Installez provisoirement un instrument de mesure de la température sur la conduite de liquide, à proximité de l'orifice, et un autre sur la conduite d'aspiration. Assurez-vous que les instruments de mesure de la température sont adéquatement isolés et en contact avec les conduites afin qu'ils prennent une mesure exacte de la température.
3. Faites fonctionner le système pendant 10 minutes.
4. Vérifiez le sous-refroidissement et la surchauffe en fonction du tableau suivant :

Module de climatisation Condo Pack (type à piston) — Charte de chargement							
Numéro du modèle du module de climatisation	Charge en usine	Temp. air ext. Th sec °F	Temp. air ext. Th sec °F	Haute pression lb/po <sup>2</sup>	Basse pression lb/po <sup>2</sup>	Sous-refroidissement °F	Surchauffe °F
A12A	31 OZ	95	80	374	149	8	17

TABLEAU 8.

5. Si le sous-refroidissement et la surchauffe sont anormaux, récupérez complètement la charge de réfrigérant du système et rechargez la quantité nécessaire inscrite sur la plaque d'homologation.

### 7.4 CODES DE DIAGNOSTIC DE LA DEL D'ÉTAT

Un voyant DEL à trois couleurs permet d'indiquer les défaillances du système. Les codes de défaillances DEL sont les suivants :

- DEL éteinte - Pas d'alimentation électrique au contrôle, interrupteur à pression enfoncé ou défaillance du contrôle
- DEL allumée (n'importe quelle couleur) - Défaillance du matériel de contrôle détectée
- Clignotement vert lent - Aucune demande de chaleur, aucune erreur active
- Clignotement orange lent - Demande de chaleur présente, aucune erreur active
- Clignotement rapide - Erreurs de phasage ou de pairage du courant de 24 VAC.

TABLEAU 9.

DEL D'ÉTAT	DÉFECTUOSITÉ
<b>La DEL rouge indique les codes suivants :</b>	
DEL ÉTEINTE	Pas d'alimentation électrique au contrôle, ou défaillance du matériel de contrôle détectée
DEL ALLUMÉE	Fonctionnement normal
1 clignotement	Interrupteur de limite supérieure ouvert
2 clignotements	Interrupteur de pression ouvert avec ventilateur d'évacuation en fonction
3 clignotements	Interrupteur de pression fermé avec ventilateur d'évacuation fermé
4 clignotements	Verrouillage en raison d'un nombre trop élevé de tentatives d'allumage (verrouillage d'une durée d'une heure)
5 clignotements	Problème de polarité L1/neutre
6 clignotements	Trop de dépassements de limite dans un même appel de chauffage
7 clignotements	Verrouillage du cycle de l'interrupteur de pression
8 clignotements	Verrouillage causé par un trop grand nombre de pertes de flamme
9 clignotements	Non utilisé
10 clignotements	Présence de flamme avec soupape de gaz fermée

### 7.5 HISTORIQUE DES CODES DE DÉFAILLANCE

Le contrôle garde en mémoire les cinq derniers codes de défaillance. Lorsque l'interrupteur est enfoncé puis relâché, le contrôle fera clignoter les codes de défaillance enregistrés. Le code de défaillance le plus récent apparaîtra en premier, tandis que le plus ancien apparaîtra en dernier.

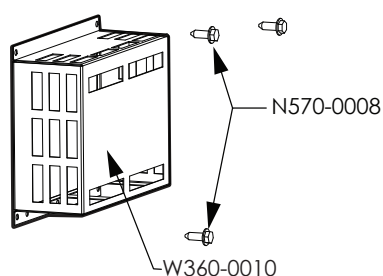
L'historique des défaillances peut être supprimé en maintenant l'interrupteur enfoncé pendant plus de cinq secondes.

## 7.6 INSTALLATION DU DIFFUSEUR POUR VENT FORT

### REMARQUE

**NON FOURNIE AVEC L'APPAREIL.**

Ce diffuseur pour vent fort est conçu pour les séries Condo Pack PSC et P-C de Wolf Steel, comprenant un module de chauffage à condensation au gaz. Avant de procéder, assurez-vous d'avoir toutes les pièces. **Ne procédez pas à l'assemblage s'il manque des pièces.**



### PROCÉDURE

(veuillez commencer par lire toutes les instructions)

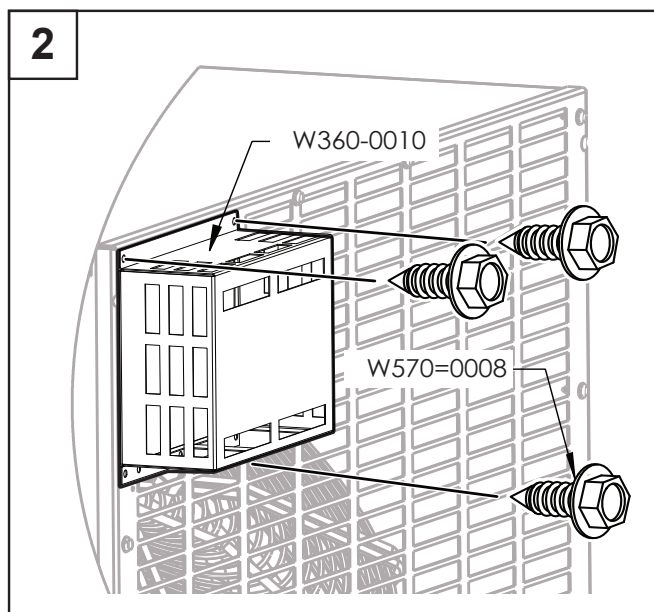
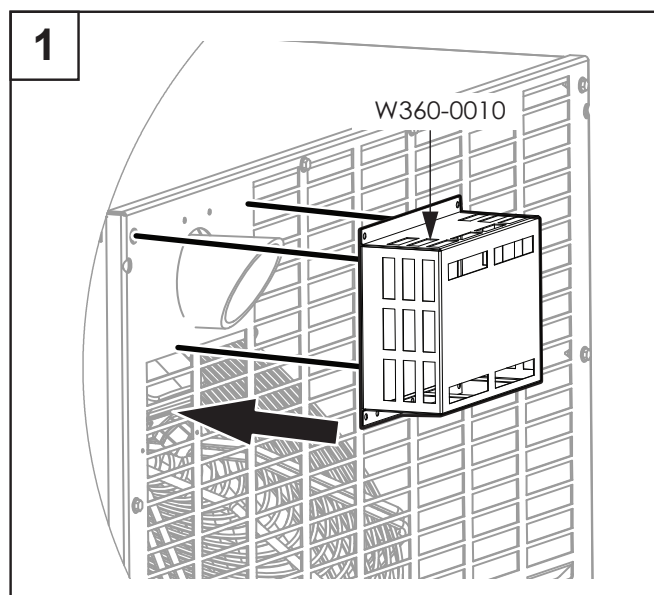
1. Orientez correctement le diffuseur pour vent fort (W360-0010\*) vers le Condo Pack, comme illustré sur la Figure 1.

2. Au moyen des 3 vis (N570-0008) fournies, fixez l'ensemble comme illustré sur la Figure 2.
3. Ce diffuseur pour vent fort doit être fixé et appuyé fermement sur la surface de la grille.

(\*Pour plus d'informations sur les options de conception alternatives, veuillez contacter le Centre Solution Client).

### CONTENU DE L'ENSEMBLE :

QTÉ	DESCRIPTION	NO PIÈCE
1	ASSEMBLAGE DE PROTECTION CONTRE LES VENTS FORTS (CCGM)	W360-0010
4	VIS AUTOPERCEUSES À TÊTE HEXAGONALE HD STNNO 8 X 1/2 PO (3 VIS REQUISES, 1 VIS SUPPLÉMENTAIRE FOURNIE)	N570-0008



## 8. LISTE DES PIÈCES DE RECHANGE POUR LE CONDO PACK À CONDENSATION AU GAZ

Contactez votre détaillant ou le fabricant pour les questions concernant les prix et la disponibilité des pièces de rechange. Normalement, toutes les pièces peuvent être commandées chez votre détaillant autorisé.

**POUR UN REMPLACEMENT DE PIÈCE SOUS GARANTIE, UNE PHOTOCOPIE DE LA FACTURE ORIGINALE SERA REQUISE AFIN DE POUVOIR HONORER LA DEMANDE.**

Lorsque vous commandez des pièces, donnez toujours l'information suivante :

- Modèle et numéro de série de l'appareil
- Date d'installation de l'appareil
- Numéro de la pièce
- Description de la pièce
- Fini

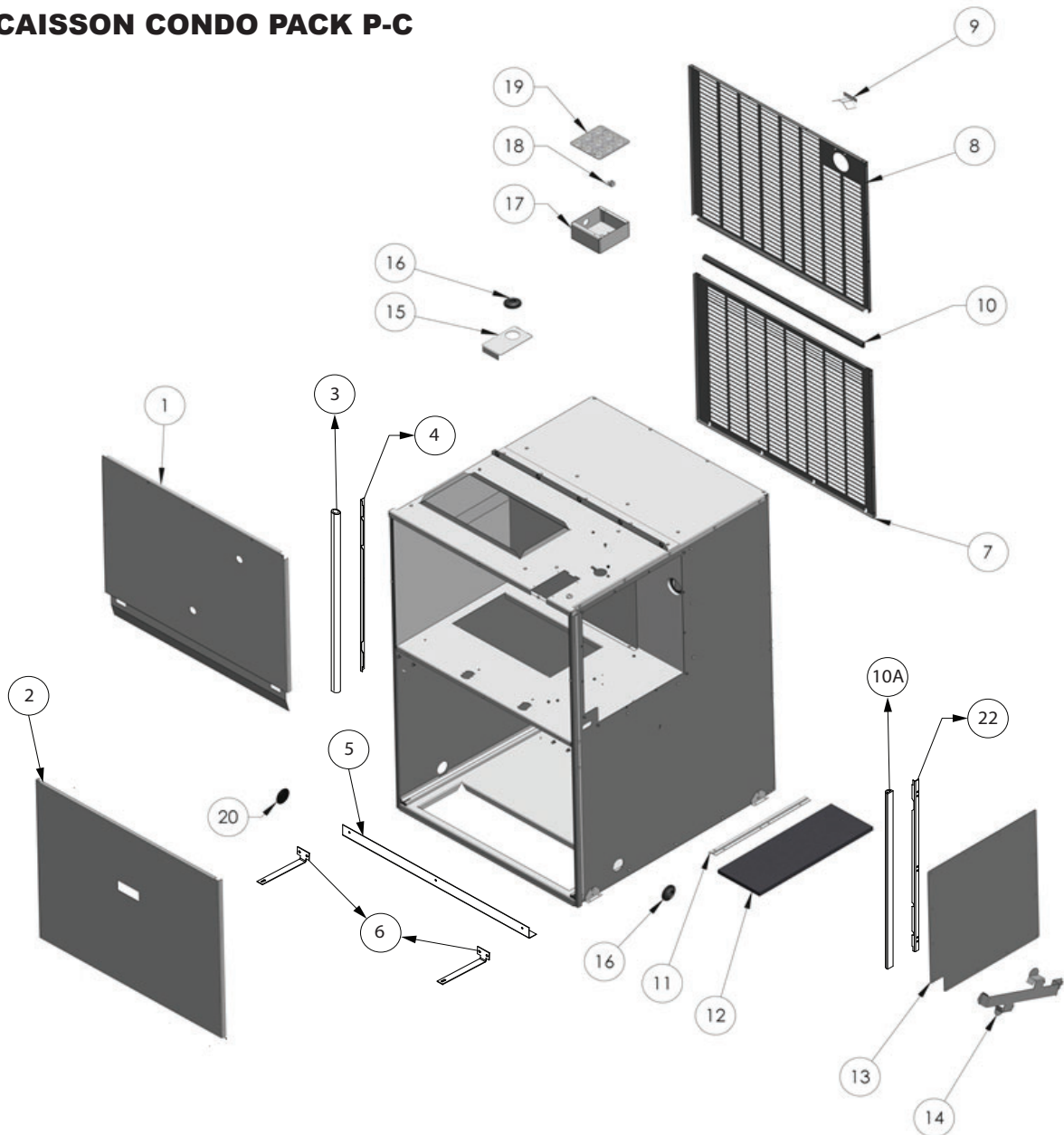
**POUR PLUS D'INFORMATION, COMMUNIQUEZ AVEC VOTRE DÉTAILLANT AUTORISÉ.**

### **! AVERTISSEMENT**

**OMETTRE DE POSITIONNER LES PIÈCES CONFORMÉMENT AU MANUEL OU D'UTILISER UNIQUEMENT DES PIÈCES SPÉCIFIQUEMENT APPROUVÉES POUR CET APPAREIL PEUT CAUSER DES DOMMAGES MATÉRIELS OU DES BLESSURES CORPORELLES.**

H41.1

### 8.1 CAISSON CONDO PACK P-C





## LISTE DES PIÈCES DU CAISSON CONDO PACK (MODÈLES À GAZ P-C)

TABLEAU 10.

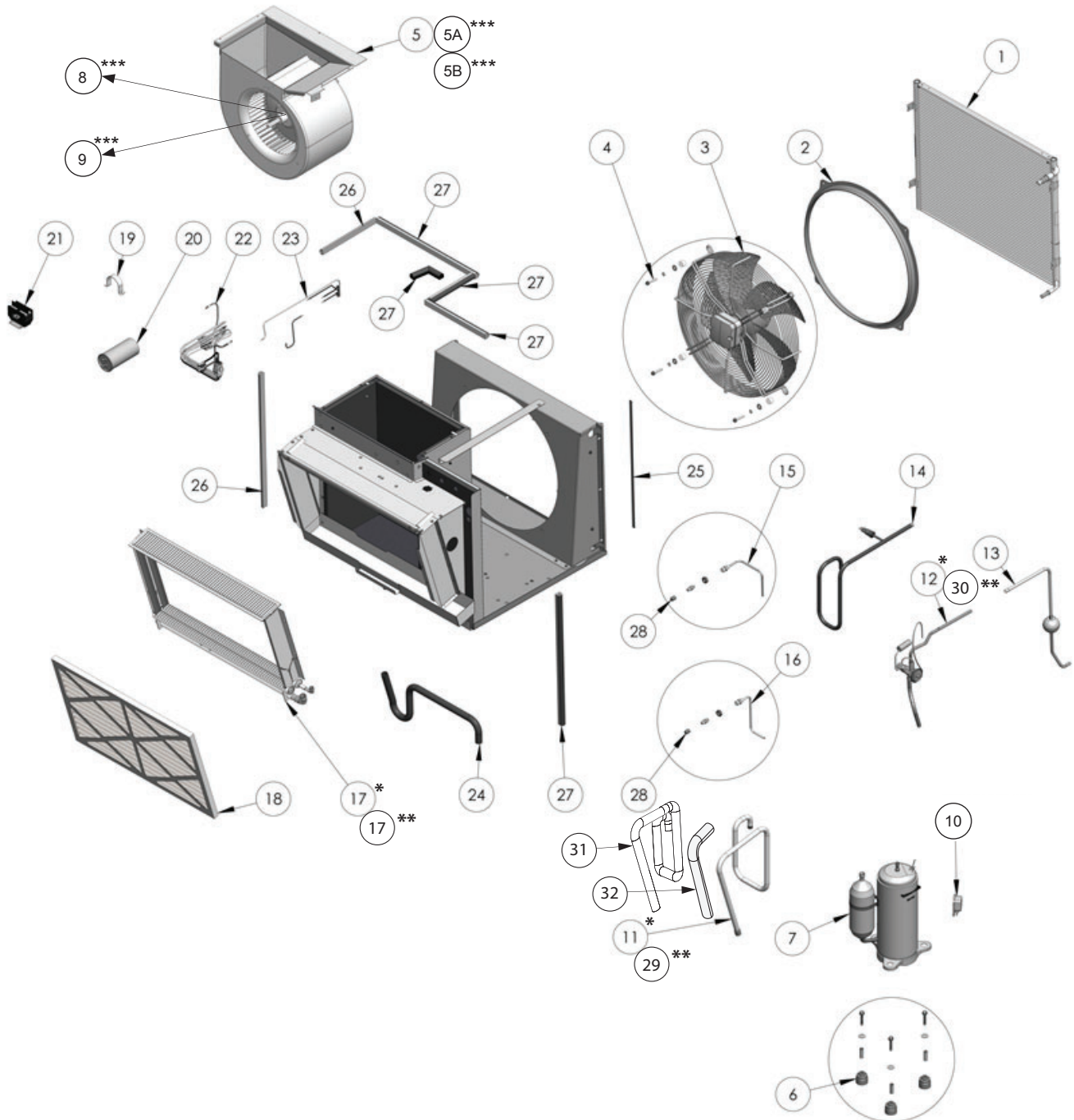
N° D'ARTICLE	W010-4579	NUMÉRO DE PIÈCE	DESCRIPTION
	QTÉ		
1	1	W010-0001-SER**	PIÈCES DE RECHANGE DE LA PORTE SUPÉRIEURE
2	1	W010-0002-SER**	PIÈCES DE RECHANGE DE LA PORTE INFÉRIEURE
3	1	W290-0276	JOINT D'ÉTANCHÉITÉ, CANAL EN O EPDM, 3/4 PO X 3/4 PO (ACHP), 23 1/8 PO DE LONGUEUR
4	2	W080-1941	SUPPORT, CANAL EN D (CP), 22 3/8 PO DE LONGUEUR
5	1	W080-1928	SUPPORT, SCELLANT DU MODULE DE CLIMATISATION (CP)
6	2	W080-1940	SUPPORT, ANGLE D'ARRÊT (CP)
7	1	W305-0010*	GRILLE INFÉRIEURE
8	1	W305-0009*	GRILLE SUPÉRIEURE
9	1	W525-0051	GUIDE DE TUYAU D'ÉCHAPPEMENT (CHAMUA)
10	1	W290-0256	JOINT D'ÉTANCHÉITÉ, CANAL EN D EPDM, 3/4 PO X 1/2 PO (ACHP), 25,25 PO DE LONGUEUR
10A		W290-0256	JOINT D'ÉTANCHÉITÉ, CANAL EN D EPDM, 3/4 PO X 1/2 PO (ACHP), 22 PO DE LONGUEUR
11	1	W525-0054	GUIDE INFÉRIEUR DE FOURNAISE
12	1	W290-0312	JOINT, PELLICULE D'ALUMINIUM, BASE DU COMPARTIMENT DE CHAUFFAGE
13	1	W475-0947*	PANNEAU D'ACCÈS LATÉRAL À LA FOURNAISE
14	1	W080-1466*	SUPPORT, TUBE DE CONDENSAT
15	1	W080-1387*	SUPPORT, CONDUITE DE GAZ
16	2	W315-0006	ŒILLET 825
17	1	W350-0732	LOGEMENT DE LA BOÎTE ÉLECTRIQUE
18	1	W670-0525	COSSE DE MISE À LA TERRE
19	1	W350-0738	COUVERCLE DE LA BOÎTE ÉLECTRIQUE
20	1	W120-0067	CAPUCHON D'ARRIVÉE DE GAZ, 1 5/8 PO

REMARQUE : \* LES NUMÉROS DE PIÈCE DOIVENT COMPRENDRE LE CODE DE COULEUR TP1SP (P. EX., W475-0945-TP1SP)  
TAUPE = TP1SP

REMARQUE : \*\* CONTACTER LE SERVICE D'INGÉNIERIE CVC.

MIO

## 8.2 MODULE DE CLIMATISATION



## REMARQUE

Pour remplacer l'obus de la soupape COREMAX (no 28, W450-0236 - non fourni avec l'appareil) sur place, utiliser l'outil SCFT20A FasTest Inc. suivant, car il permet de limiter la perte de réfrigérant au cours du processus. Veuillez noter que l'obus de la soupape COREMAX n'est pas une soupape Schrader standard.



## LISTE DES PIÈCES MODULES DE CLIMATISATION:

## TABLEAU 11.

N° D'ARTICLE	A18A	A12A	NUMÉRO DE PIÈCE	DESCRIPTION
	QTÉ	QTÉ		
1	1	1	W770-0006	SERPENTIN DE CONDENSATION CONDO PACK
2	1	1	W540-0020	ANNEAU VENTURI, 18,25 PO ØINT ABS UV
3	1	1	W435-0081	ENSEMBLE DE VENTILATEUR DE CONDENSATEUR 1100 TR/MIN
3****	1	-	W435-0091****	VENTILATEUR DU CONDENSATEUR, ASSEMBLAGE DU MOTEUR ECM, 1/3 HP (A18A/A24A)
4	4	4	W570-0142	VIS, 1/4-20 X 1-1/4 PO DE LONGUEUR
4	4	4	W735-0050	RONDELLE, 5/16 X 3/4 PO Ø EXTÉRIEUR
4	4	4	W735-0015	RONDELLE DE BLOCAGE, 1/4 PO DENT EXTÉRIEUR
5	1	1	W062-0041	BOÎTIER DE SOUFFLERIE 10-6T (GF)
5A***	1	1	W010-3786***	LOGEMENT DE LA SOUFFLERIE AVEC MOTEUR 1/3 HP X 13
5B***	1	-	W010-4627***	BOÎTIER DE SOUFFLERIE A18A AVEC MOTEUR 1/3 HP X 13
6	3	-	W315-0021	CEILLET DE MONTAGE DU COMPRESSEUR
6	-	3	W315-0026	CEILLET DE MONTAGE DU COMPRESSEUR, 1,0 TONNE (CP)
6	3	3	W315-0022	CEILLET ESPACEUR
6	3	3	W735-0051	RONDELLE, 3/8 X 7/8 PO Ø EXTÉRIEUR
6	3	3	W065-0046	BOULON, 5/16 X 1-3/4 PO DE LONGUEUR
7^	1	-	W172-0023^	COMPRESSEUR 1,5 TONNE
7A	1	-	W200-0678	COUVRE-BORNE DU COMPRESSEUR
7A	1	-	W450-0248	ÉCROU DE BORNE DU COMPRESSEUR
7A	1	-	W290-0365	JOINT DE BORNE DU COMPRESSEUR
7^^	-	1	W172-0022^^	COMPRESSEUR 1,0 TONNE
7B	-	1	W200-0649	COUVRE-BORNE DU COMPRESSEUR
7B	-	1	W450-0247	ÉCROU DE BORNE DU COMPRESSEUR
7B	-	1	W290-0350	JOINT DE BORNE DU COMPRESSEUR
8***	-	1	W010-3817***	MOTEUR DE SOUFFLERIE INTÉRIEURE PROGRAMMÉ POUR A12A
9***	1	-	W010-4501***	MOTEUR DE SOUFFLERIE INTÉRIEURE PROGRAMMÉ POUR A18A
10	1	1	W750-0328	FAISCEAU DE CÂBLAGE, COMPRESSEUR GL
11*	1	-	W490-0800*	TUYAU, 1/2 PO Ø EXTÉRIEUR, ASPIRATION
11*	-	1	W490-0799*	TUYAU, 1/2 PO Ø EXTÉRIEUR, ASPIRATION
12*	-	1	W010-4044*	ASSEMBLAGE DU TUYAU LIQUIDE-ÉVAPORATION VERS L'INJECTEUR N° 44

REMARQUE :^ DOIT ÊTRE COMMANDÉ AVEC LES ACCESSOIRES 7A (NON ILLUSTRÉS)

REMARQUE :^^ DOIT ÊTRE COMMANDÉ AVEC LES ACCESSOIRES 7B (NON ILLUSTRÉS)

REMARQUE :\*\*\* SI VOUS COMMANDEZ 5A OU 5B, LE MOTEUR PROGRAMMÉ CORRESPONDANT 8 OU 9 SERA INCLUS DANS L'ENSEMBLE. SI VOUS SOUHAITEZ UNIQUEMENT OBTENIR DES MOTEURS PROGRAMMÉS, COMMANDEZ UNIQUEMENT UN MOTEUR 8 OU 9.

REMARQUE :\*\*\*\* POUR A18A, BRANCHEZ LA VITESSE 1 (SPEED 1) SUR LE MOTEUR DU VENTILATEUR DE CONDENSATION W435-0091.

## LISTE DES PIÈCES MODULES DE CLIMATISATION:

## TABLEAU 11. CONT.

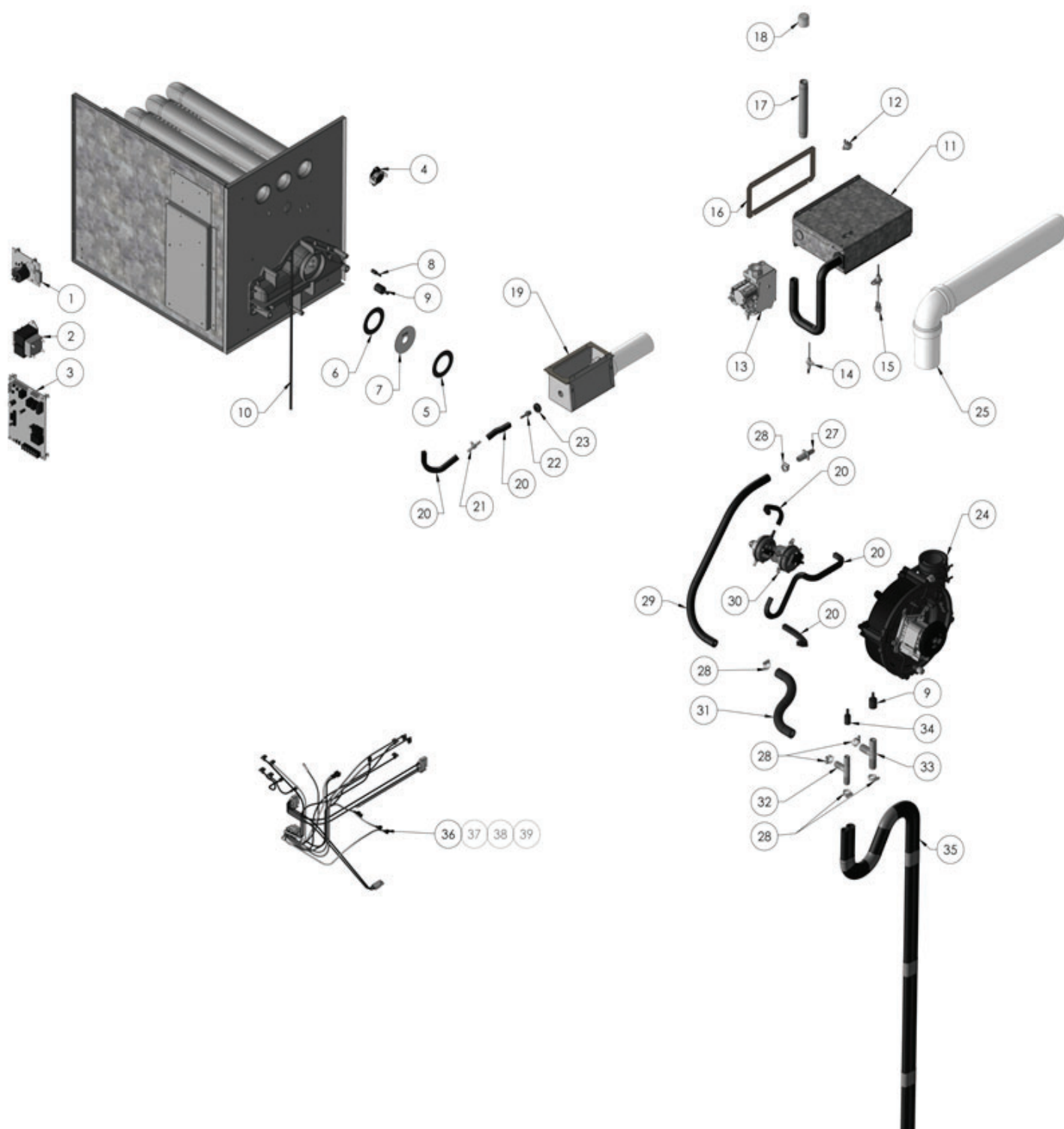
N° D'ARTICLE	A18A	A12A	NUMÉRO DE PIÈCE	DESCRIPTION
	QTÉ	QTÉ		
13	1	1	W010-4023	FILTRE À CONDUITE DE LIQUIDE
14	-	1	W010-4028	ASSEMBLAGE DU PRESSOSTAT DE LA CONDUITE DE REFOULEMENT
14	1	-	W010-4029	ASSEMBLAGE DU PRESSOSTAT DE LA CONDUITE DE REFOULEMENT
15	1	1	W010-3336	POINT D'ACCÈS DE LA CONDUITE D'ASPIRATION
16	-	1	W010-4038	POINT D'ACCÈS DE LA CONDUITE DE LIQUIDE
16	1	-	W010-3337	POINT D'ACCÈS DE LA CONDUITE DE LIQUIDE
17*	1	1	W770-0005*	SERPENTIN D'ÉVAPORATEUR CONDO PACK
17**	1	1	W770-0014**	SERPENTIN D'ÉVAPORATEUR CONDO PACK
18	1	1	W250-0012	FILTRE DE FOURNAISE, 16 PO x 25 PO X 1 PO
19	1	1	W640-0014	BRIDE DE CONDENSATEUR
20	-	1	W435-0085	CONDENSATEUR 40+5 MFD 440 V 50/60 Hz
20	1	-	W435-0086	CONDENSATEUR 45+5 MFD 440 V 50/60 Hz
21	1	1	W670-0531	BORNE À DEUX PÔLES DU CONTACTEUR DU CLIMATISEUR
22	1	1	W750-0326	FAISCEAU – CONDO PACK X13 INFÉRIEUR
23	1	1	W750-0348	FAISCEAU – CONDO PACK CLIMATISEUR ET ALIMENTATION INFÉRIEURE
24	1	1	W345-0018	TUYAU PURGEUR DU RÉSERVOIR DE CONDENSAT DE CLIMATISEUR, 5/8 PO Ø INTÉRIEUR
25	1	1	W290-0170	BANDE DE JOINT, 3/8 PO X (4 PI)
26	1	1	W290-0256	JOINT D'ÉTANCHÉITÉ, CANAL EN D EPDM, 3/4 PO X 1/2 PO (ACHP), 25,25 PO DE LONGUEUR
27	1	1	W290-0256	JOINT D'ÉTANCHÉITÉ, CANAL EN D EPDM, 3/4 PO X 1/2 PO (ACHP), 22 PO DE LONGUEUR
28	2	2	W450-0236	ÉCROU INTÉRIEUR COREMAX (1/2-20 X 7/16-20)
28	2	2	W450-0237	ÉCROU HEX 1/2-20 INOX
28	2	2	W120-0090	CAPUCHON EN LAITON, 1/4 AVEC JOINT ANNULAIRE
29**	1	-	W490-0868**	TUYAU, 1/2 PO Ø EXTÉRIEUR, ASPIRATION
29**	-	1	W490-0864**	TUYAU, 1/2 PO Ø EXTÉRIEUR, ASPIRATION
30**	1	-	W010-4502**	TUYAU LIQUIDE-ÉVAPORATION VERS LE DÉTENDEUR
30**	-	1	W010-4497**	ASSEMBLAGE DU TUYAU LIQUIDE-ÉVAPORATION VERS L'INJECTEUR N° 44
31	1	1	W290-0271	JOINT, ISOLANT THERMIQUE, CONDUITE D'ASPIRATION 1/2 po, LONGUEUR 60 po
32	1	1	W290-0271	JOINT, ISOLANT THERMIQUE, CONDUITE DE LIQUIDE 1/2 po, LONGUEUR 18 po

REMARQUE :\* POUR LE COMPOSANT W770-0005\*, LES ARTICLES 11\* ET 12\* SONT NÉCESSAIRES

REMARQUE \*\*: POUR LE COMPOSANT W770-0014\*\*, LES ARTICLES 29\*\* ET 30\*\* SONT NÉCESSAIRES

## 8.3 MODULE DE CHAUFFAGE À CONDENSATION AU GAZ

MIO



LISTE DES PIÈCES DU MODULE DE CHAUFFAGE À CONDENSATION AU GAZ : **TABLEAU 12.**

N° D'ARTICLE	C50A	C40A	C30A	C15A	NUMÉRO DE PIÈCE	DESCRIPTION
	QTÉ	QTÉ	QTÉ	QTÉ		
1	1	1	1	1	W190-0071	CARTE AUXILIAIRE DE COMMANDE D'ALLUMAGE DIRECT
2	1	1	1	1	W707-0018	TRANSFORMATEUR 240/24 V 40 VA
3	1	1	1	1	W190-0042	CARTE DE CONTRÔLEUR X13 SS
4	1	1	-	1	W660-0138	LIMITEUR DE CHALEUR DE 170 DEGRÉS
4	-	-	1	-	W660-0135	LIMITEUR DE CHALEUR DE 160 DEGRÉS
5	1	1	1	1	W290-0385	JOINT - RESTRICTEUR, SILICONE ROUGE LISSE (FG)
6	1	1	1	1	W290-0385	JOINT - RESTRICTEUR, SILICONE ROUGE LISSE (FG)
7	1	-	-	-	W356-0740	PLAQUE DE RESTRICTEUR, 0,740 PO
7	-	1	-	-	W356-0650	PLAQUE DE RESTRICTEUR, 0,650 PO
7	-	-	1	-	W356-0550	PLAQUE DE RESTRICTEUR, 0,550 PO
7	-	-	-	1	W356-0375	PLAQUE DE RESTRICTEUR, 0,375 PO
8	1	1	2	2	W120-0075	CAPUCHON – ÉVENT DE SURPRESSION (0,24-0,5) 811598 EZ TAB
9	3	3	3	3	W120-0076	CAPUCHON – ÉVENT DE VIDANGE (0,5-0,625) 385697 EZ TAB
10	1	1	1	1	W715-0887	GARNITURE – BANDE DE STYLE 402, LONGUEUR 3 PI
11	1	-	-	-	W100-0241^	PLATEAU DE BRÛLEUR 50K
11	-	1	-	-	W100-0238^	PLATEAU DE BRÛLEUR 40K
11	-	-	1	-	W100-0240^	PLATEAU DE BRÛLEUR 30K
11^	-	-	-	1	W100-0239^/W100-0181^	PLATEAU DE BRÛLEUR 15K
12	1	1	1	1	W010-2568	LIMITEUR DE RETOUR
13	1	1	1	1	W010-2614	SOUPAPE DE GAZ
14	1	1	1	1	W010-4599	CAPTEUR DE FLAMME
15	1	1	1	1	W357-0012-SER	ALLUMEUR
16	1	-	-	-	W290-0262	JOINT - 3 BRÛLEURS
16*	-	-	-	1	W290-0261*	JOINT - 2 BRÛLEURS
16**	-	1	1	1	W290-0384**	JOINT, GRAND - 2 BRÛLEURS
17	1	1	1	1	W490-0762	TUYAU 6 PO
18	1	1	1	1	W120-0086	CAPUCHON NOIR FILETÉ 0,84D EN PLASTIQUE
19	1	1	1	1	W010-3790^^	BOÎTE D'ADMISSION AVEC CONDUITE EN PVC
20	1	1	1	1	W345-0011	TUBE CARRÉ PSI 0,36 X 0,36 X 2 PI
21	1	1	1	1	W255-0049	RACCORD POUR TUBE 3/16 EN T
22	1	1	1	1	W255-0045	RACCORD POUR TUBE DE 3/16 PO À NPT MÂLE DE 1/8 PO
23	1	1	1	1	W315-0018	ŒILLET À INSÉRER PAR PRESSION, 1/2 PO ØINTÉRIEUR, 1 PO Ø EXTÉRIEUR
24	1	1	1	1	W062-0055	CADRE EN C DU VENTILATEUR D'EXTRACTION, 220 V
25	1	1	1	1	W010-3442	TUYAU D'ÉCHAPPEMENT
27	1	1	1	1	W255-0030	RACCORD DE RÉDUCTION 1/2 PO À 3/8 PO
28	6	6	6	6	W155-0016	COLLIER DE SERRAGE À ENGRENAGE

REMARQUE : ^ L'ARTICLE N °11 INCLUT DES ARTICLES N ° 12,13,14,15

REMARQUE : ^^ L'ARTICLE N °19 INCLUT DES ARTICLES N ° 22,23

REMARQUE : \* LE JOINT W290-0261 EST NÉCESSAIRE POUR L'ENSEMBLE DU PLATEAU DU BRÛLEUR W100-0181

REMARQUE : \*\* LE JOINT W290-0384 EST NÉCESSAIRE POUR LES ASSEMBLAGES W100-0238, W100-0239 ET W100-0240



## LISTE DES PIÈCES DU MODULE DE CHAUFFAGE À CONDENSATION AU GAZ : TABLEAU 12. CONT.

MIO

N° D'ARTICLE	C50A	C40A	C30A	C15A	NUMÉRO DE PIÈCE	DESCRIPTION
	QTÉ	QTÉ	QTÉ	QTÉ		
29	1	1	1	1	W345-0006	TUBE DE DRAINAGE DE 1/2 PO DU CONDUIT D'ARRIVÉE D'AIR
30	1	-	-	-	W010-4113	ENSEMBLE D'INTERRUPTEUR 50K
30	-	1	-	-	W010-4984	ENSEMBLE D'INTERRUPTEUR 40K
30	-	-	1	-	W010-4971	ENSEMBLE D'INTERRUPTEUR 30K
30	-	-	-	1	W010-4110	ENSEMBLE D'INTERRUPTEUR 15K
31	1	1	1	1	W345-0019	TUBE DE DRAINAGE 5/8 ØINTÉRIEUR DU COUVERCLE DE COLLECTEUR
32	1	1	1	1	W255-0052	RACCORD 1/2 PO ØINTÉRIEUR 5372K618
33	1	1	1	1	W255-0053	RACCORD 5/8 PO ØINTÉRIEUR 5372K625
34	2	2	2	2	W120-0089	CAPUCHON – ÉVENT DE VIDANGE (0,5-0,625) 385697 EZ TAB
35	1	1	1	1	W345-0017	TUYAU – PURGEUR DE DRAIN
36	1	1	1	1	W750-0391	FAISCEAU DE CÂBLAGE, FOURNAISE À GAZ CONDO PACK
37	1	1	1	1	W750-0325	FAISCEAU DE CÂBLAGE, CONDO PACK X13 SUPÉRIEUR
38	1	1	1	1	W750-0364	FAISCEAU DE CÂBLAGE D'ALIMENTATION SUPÉRIEUR
39	1	1	1	1	W750-0333	FAISCEAU DE CÂBLAGE 9200/C92 PSC CHAUFFAGE/ CLIMATISATION

## 9. FICHE DU PROPRIÉTAIRE

TABLEAU 13.

TABLEAU DE RÉFÉRENCE
Numéro de modèle <i>(Le numéro de modèle est situé dans le coin droit de la porte supérieure)</i>
Numéro de série <i>(Le numéro de série est situé dans le coin droit de la porte supérieure)</i>
Date d'installation
Entrepreneur
Contact
Adresse
Code postal
Numéro de téléphone
Numéro en dehors des heures de travail
<b>Si différent de l'installateur :</b>
Technicien de service
Numéro de téléphone
Numéro en dehors des heures de travail
<b>NOTE:</b>

H28.3\_FR

## 10. GARANTIE

Les produits **Wolf Steel Itée** sont fabriqués conformément aux normes strictes du certificat d'assurance de qualité mondialement reconnu ISO 9001 : 2015. Les produits **Wolf Steel Itée** sont conçus avec des composants et des matériaux de qualité supérieure, assemblés par des artisans qualifiés qui sont fiers de leur travail. Une fois assemblé, chaque appareil est soigneusement inspecté par un technicien qualifié avant d'être emballé pour garantir que vous, le client, recevez le produit de qualité dont vous vous attendez de **Wolf Steel Itée**.

## GARANTIE LIMITÉE DE L'UNITÉ CONDO PACK

### GARANTIE LIMITÉE

Cet appareil de chauffage et de climatisation est garanti par Wolf Steel Itée (Condo Pack) contre tout défaut de matériau ou de fabrication, sous réserve du respect des conditions normales d'utilisation et d'entretien.

L'échangeur de chaleur en acier inoxydable (modèle pour fournaise au gaz) est garanti pour une période de **20 ans** (pièces seulement, les frais d'expédition et de main-d'œuvre étant exclus de cette garantie. Ces frais devront être assumés par le propriétaire de l'appareil).

Pendant les **10 premières années** de la garantie, Wolf Steel Itée remplacera le module de la fournaise en entier si l'échangeur de chaleur fait défaut (l'échangeur de chaleur est défini comme correspondant aux pièces d'acier inoxydable qui constituent les surfaces primaire et secondaire de l'échangeur seulement, ce qui EXCLUT le couvercle en plastique du collecteur avant et les joints d'étanchéité) et si toutes les conditions et limitations de la garantie sont respectées.

De la **11<sup>e</sup> à la 20<sup>e</sup> année** de la garantie, le coût de remplacement sera couvert proportionnellement aux années de garantie restantes.

Toutes les autres composantes couvertes seront garanties pendant une période de **5 ans** au cours de laquelle Wolf Steel Itée assumera le coût de remplacement (pièces seulement, les frais d'expédition et de main-d'œuvre étant exclus de cette garantie. Ces frais devront être assumés par le propriétaire de l'appareil).

Les composants non couverts par la garantie comprennent les éléments non durables, comme les filtres, les déshydrateurs, les fusibles, le réfrigérant et les lubrifiants. Les composants du cabinet, les grilles et les composants de câblage sont exclus de la garantie.

Les obstacles (comme des persiennes architecturales non approuvées par le fabricant, des façades en briquetage, etc.) ou une installation inadéquate qui empêchent l'air de circuler correctement réduiront le rendement de l'appareil, endommageront prématurément celui-ci et annuleront toutes les garanties.

La période de la garantie commence à la date de la première installation ou, si cette date ne peut pas être vérifiée, six mois après la date de fabrication de l'appareil (indiquée par les quatre premiers chiffres du numéro de série).

La garantie est valable uniquement si l'appareil :

- n'a pas été déplacé du lieu où il a été installé pour la première fois;
- a été installé par un technicien en CVC certifié ou qualifié;
- a été installé conformément aux directives du fabricant décrites dans le manuel d'installation et d'utilisation;
- a été installé conformément à toutes les normes de l'industrie et aux codes nationaux et locaux.

Les réclamations en vertu de la garantie doivent être autorisées par un représentant ou un agent reconnu de Wolf Steel Itée; les pièces et les composants visés par une réclamation peuvent devoir être analysés dans les bureaux de Wolf Steel Itée. Afin qu'elle soit traitée, une réclamation doit être accompagnée du numéro de modèle, du numéro de série, de la description de la défectuosité (liste de contrôle) ainsi que des documents indiquant la date d'installation et faisant état de l'entretien périodique.

Tous les services offerts relativement à la garantie doivent être exécutés par un technicien de service autorisé par Wolf Steel Itée et celui-ci doit utiliser des composants approuvés.

### Limitations:

Wolf Steel Itée n'est pas responsable :

1. Des dommages, réparations et coûts résultant d'une installation défectueuse ou d'une utilisation négligente.
2. Des dommages, réparations et coûts engendrés par une installation non conforme à tous les règlements ou lois fédéraux, provinciaux ou de l'État applicables, ainsi qu'aux directives du manuel des instructions d'installation et d'opération.
3. Des dommages pouvant résulter du transport, d'actes de vandalisme, d'accidents, ou encore d'inondations, d'incendies, de vents, de foudre ou de l'action des éléments de la nature. Des environnements contaminés par des composés de chlore, des hydrocarbures halogénés ou d'autres produits chimiques dommageables pouvant causer la détérioration de composants, ou d'autres conditions hors du contrôle de Wolf Steel.
4. En cas d'utilisation de composants ou d'accessoires non compatibles avec cet appareil.
5. Des produits installés à l'extérieur du Canada ou des États-Unis et de ses territoires.
6. De l'entretien régulier incluant, mais sans s'y limiter, le nettoyage des serpentins, le nettoyage ou le remplacement des filtres et la lubrification.
7. Des dommages, réparations et coûts résultant de l'utilisation de pièces non vendues ou non autorisées préalablement par Wolf Steel.
8. Des dommages ou des réparations nécessaires résultant d'une utilisation, d'un entretien, d'une opération, d'un nettoyage, d'un remplacement de filtres ou de réparations inappropriés.
9. D'un fonctionnement défectueux causé par une interruption de courant ou une alimentation électrique inadéquate.
10. Des dommages, défauts ou défaillances causés par des accidents ou de la négligence, ou par une utilisation ou une opération excessive de l'appareil et de ses composants incluant, mais sans s'y limiter, une opération au-delà du rendement prévu et une opération de composants électriques à une tension différente de celle précisée sur la plaque d'homologation.
11. En aucun cas, Wolf Steel n'élargira la couverture de la garantie aux dommages accessoires, consécutifs ou indirects.
12. Des changements d'apparence de l'appareil qui ne nuisent pas à son rendement.
13. Des dommages, défauts ou défaillances causés par l'opération de l'appareil dans des conditions environnementales anormales (par ex. l'air salin).
14. Des dommages, défauts ou défaillances causés par l'alimentation de la fournaise avec une proportion de plus de 20 % d'air conditionné (air de retour) provenant de l'extérieur (température minimale de l'air de retour de 13 °C/55 °F).
15. Des dommages, défauts ou défaillances causés par l'utilisation du climatiseur pendant des périodes où la température ambiante à l'extérieur est inférieure à 55 °F/13 °C.

TOUTES LES SPÉCIFICATIONS ET LES CONCEPTIONS SONT SUJETTES À DES MODIFICATIONS SANS PRÉAVIS EN RAISON DES AMÉLIORATIONS CONSTANTES APPORTÉES AU PRODUIT. Napoleon® EST UNE MARQUE DÉPOSÉE DE WOLF STEEL LTÉE.

### PROPRIÉTAIRE : POUR CONSULTATION ULTÉRIEURE

Modèle et N° de série \_\_\_\_\_  
(N° de série inscrit à l'intérieur de la porte inférieure)  
Date d'installation \_\_\_\_\_

Nom du détaillant \_\_\_\_\_  
Ville/Province/État/Code postal \_\_\_\_\_  
Téléphone/Télocopieur \_\_\_\_\_  
Courriel \_\_\_\_\_

Pour en savoir plus au sujet de cette garantie, communiquez avec le service technique de Wolf Steel Itée par • téléphone au 866-820-8686 • courriel à l'adresse: [cvc@napoleon.com](mailto:cvc@napoleon.com) • courrier à WOLF STEEL Itée, 24 Napoleon Road, Barrie, Ontario, L4M 0G8 Canada



www.napoleon.com





# NAPOLÉON CÉLÈBRE PLUS DE 40 ANS D'EXISTENCE CONSACRÉS À LA CONCEPTION DE PRODUITS DE CONFORT



7200, Route Transcanadienne, Montréal, Québec H4T 1A3  
24 Napoleon Road, Barrie, Ontario, Canada L4M 0G8  
214 Bayview Drive, Barrie, Ontario, Canada L4N 4Y8  
103 Miller Drive, Crittenden, Kentucky, USA 41030

Téléphone: 1-866-820-8686  
napoleon.com

W415-2283 / E / 03.15.21

