



# Ensemble™

60" x 36" Vikrell® bath, left drain  
71101110



### Features

- 16" apron
- Suitable for tile-down applications
- Compatible with Ensemble wall set (71104100)

### Material

- Made from solid Vikrell® material for strength, durability, and lasting beauty

### Installation

- Alcove
- Left drain

### Recommended Products/Accessories

- K-23726 Drain treatment
- 71104100 60" x 36" Vikrell® bath/shower wall set



**ADA**

### Codes/Standards

- CSA B45.5/IAPMO Z124
- ASTM E162
- ASTM E662
- ADA
- ICC/ANSI A117.1


### STERLING® Vikrell® or Acrylic Baths and Shower Bases Ten-Year Limited Warranty

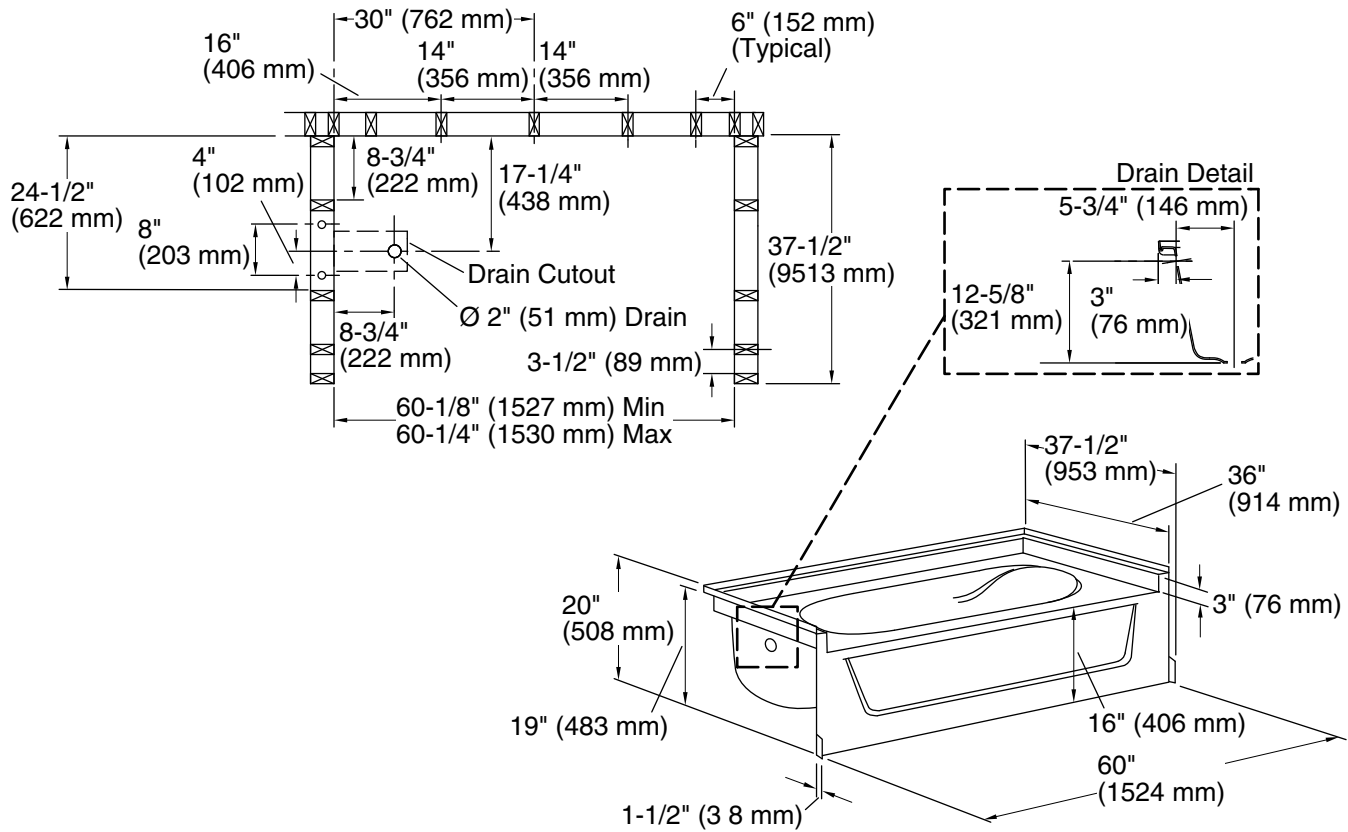
See website for detailed warranty information.

### Available Colors/Finishes

*Color tiles intended for reference only.*

Color	Code	Description
-------	------	-------------

	0	White
---	---	-------



**Technical Information**

All product dimensions are nominal.

Drain location:	Left
Basin area, bottom:	40" x 21" (1016 mm x 533 mm)
Basin area, top:	52" x 29" (1321 mm x 737 mm)
Water depth:	11" (279 mm)
Water capacity:	40 gal (151.4 L)
Minimum flat for door:	3-1/4" (83 mm)
Maximum door width:	58-1/2" (1486 mm)

**Notes**

- Install this product according to the installation instructions.
- Size the drain hole clearance to fit the drain assembly that will be used.
- Studs should be positioned roughly as shown for support clip or roofing nail installation.
- Double studding is recommended for pivot shower door installations.
- ADA compliant when installed to the specific requirements of these regulations.