

DESCRIPTION

- Non-metallic construction with various finishes identified by suffix
- Double check valve in handle

OPERATION

- Single-function
- 1-13/16" diameter sprayhead

FLOW

- Limited to 1.75 gpm max (6.7L/min) max.

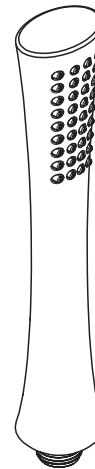
STANDARDS

- Designed and manufactured to comply with the applicable requirements of ASME A112.18.1/CSA B125.1, ASSE 1014 and all applicable requirements referenced therein
- Third party certified to WaterSense®

WARRANTY

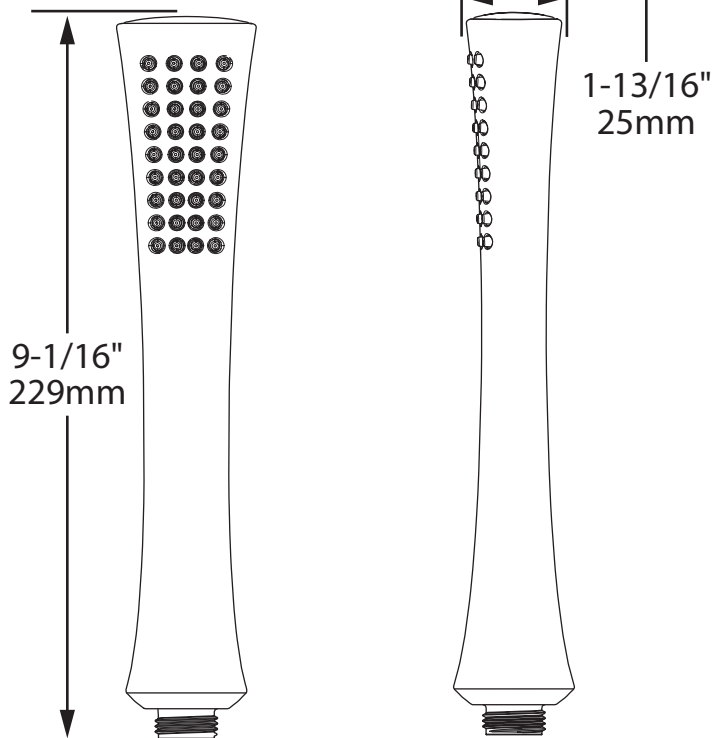
- Lifetime limited warranty against leaks, drips and finish defects to the original homeowner
- 10 year limited warranty when used in a multifamily installation
- 5 year limited warranty when used in a commercial installation

Visit www.moen.com/support for complete details and limitations



Hand Shower

Model: 195958 series



CRITICAL DIMENSIONS

(DO NOT SCALE)