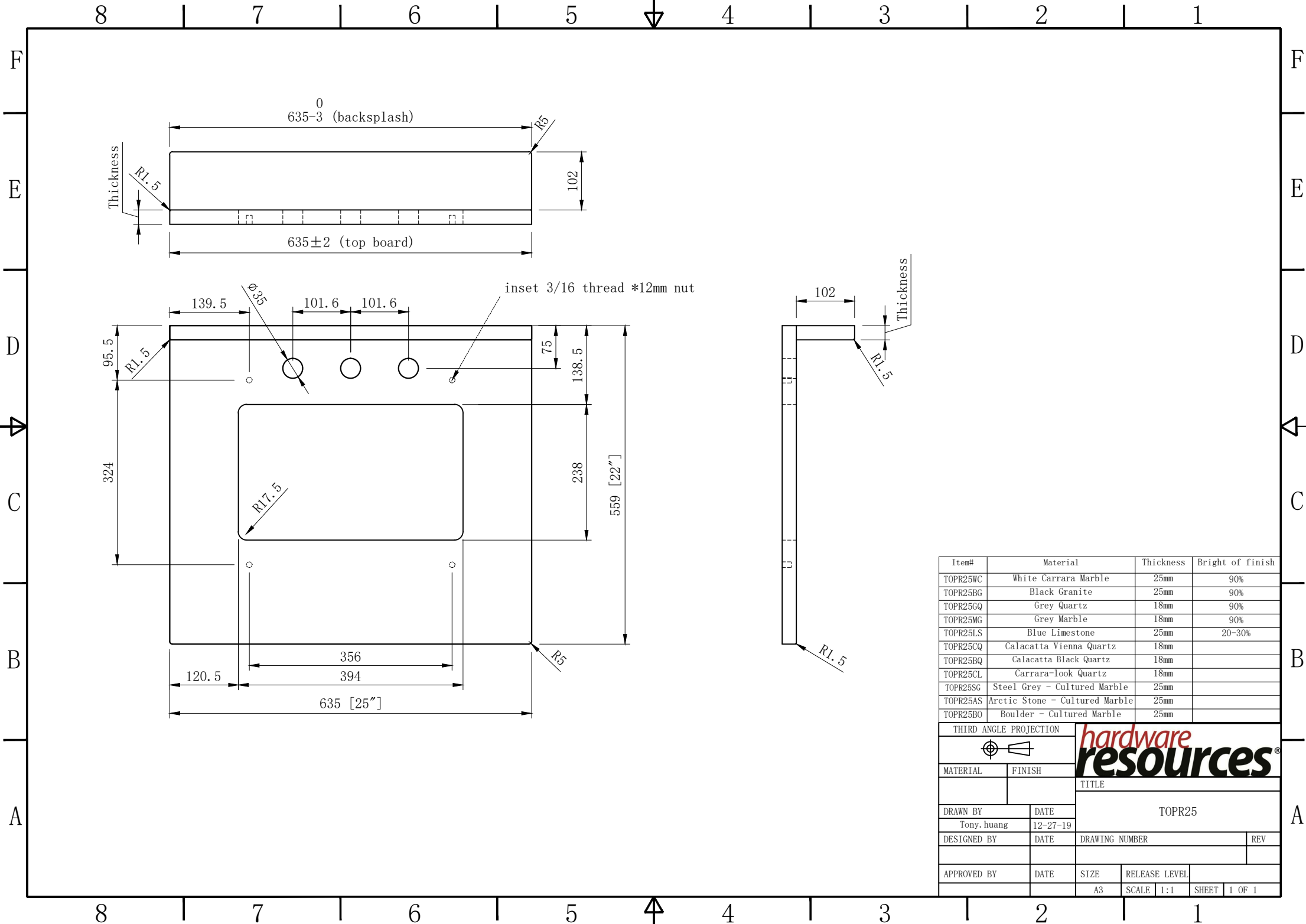


Item#	Material	Thickness	Bright of finish
TOP025WC	White Carrara Marble	25mm	90%
TOP025BG	Black Granite	25mm	90%
TOP025GQ	Grey Quartz	18mm	90%
TOP025MG	Grey Marble	18mm	90%
TOP025LS	Blue Limestone	25mm	20-30%
TOP025CQ	Calacatta Vienna Quartz	18mm	
TOP025BQ	Calacatta Black Quartz	18mm	
TOP025CL	Carrara-look Quartz	18mm	
TOP025SG	Steel Grey - Cultured Marble	25mm	
TOP025AS	Arctic Stone - Cultured Marble	25mm	
TOP025BO	Boulder - Cultured Marble	25mm	

THIRD ANGLE PROJECTION

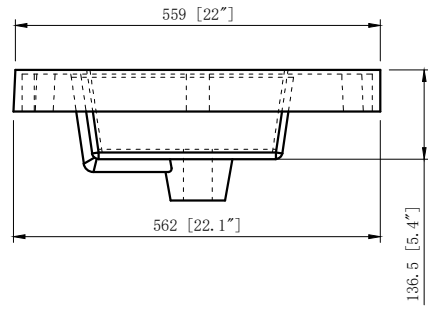
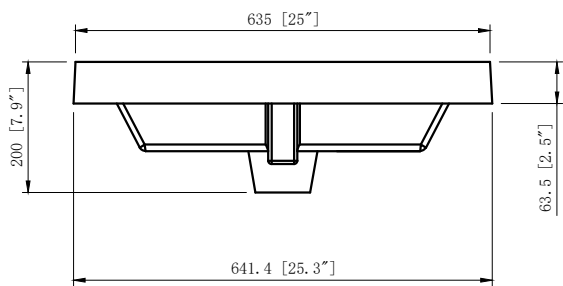
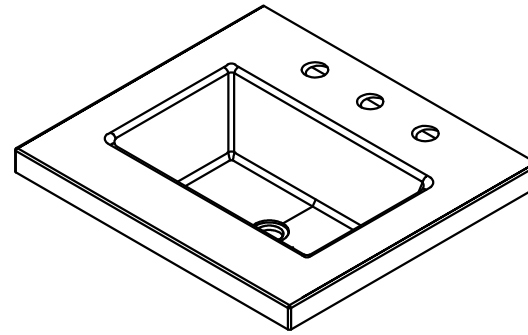
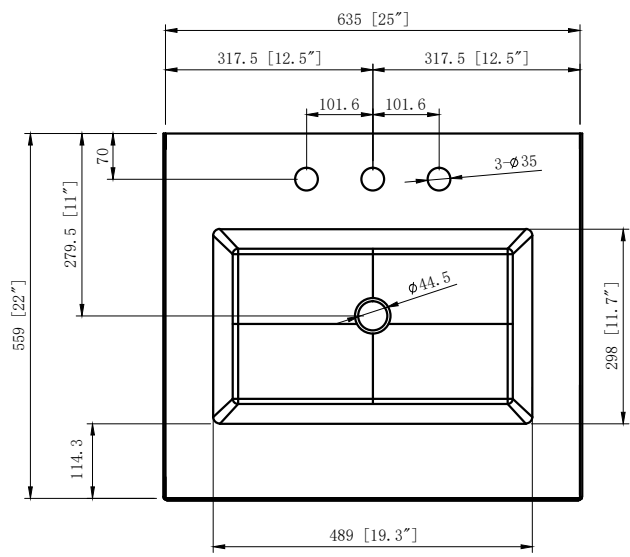
hardware resources

MATERIAL	FINISH	TITLE	
		TOP025	
DRAWN BY	DATE	DRAWING NUMBER	
Tony.Huang	12-27-19		REV
DESIGNED BY	DATE	RELEASE LEVEL	
		A3	SCALE 1:1 SHEET 1 OF 1

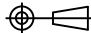


Item#	Material	Thickness	Bright of finish
TOPR25WC	White Carrara Marble	25mm	90%
TOPR25BG	Black Granite	25mm	90%
TOPR25GQ	Grey Quartz	18mm	90%
TOPR25MG	Grey Marble	18mm	90%
TOPR25LS	Blue Limestone	25mm	20-30%
TOPR25CQ	Calacatta Vienna Quartz	18mm	
TOPR25BQ	Calacatta Black Quartz	18mm	
TOPR25CL	Carrara-look Quartz	18mm	
TOPR25SG	Steel Grey - Cultured Marble	25mm	
TOPR25AS	Arctic Stone - Cultured Marble	25mm	
TOPR25BO	Boulder - Cultured Marble	25mm	

THIRD ANGLE PROJECTION			
		hardware resources [®]	
MATERIAL	FINISH		
		TITLE	
DRAWN BY		DATE	
Tony.huang		12-27-19	
DESIGNED BY		DRAWING NUMBER	
		REV	
APPROVED BY		DATE	
		SIZE	RELEASE LEVEL
		A3	SCALE 1:1
		SHEET	1 OF 1



Material :Lavante - Cultured Marble

THIRD ANGLE PROJECTION						hardware resources [®]			
MATERIAL	FINISH								
DRAWN BY		DATE		TOPR25LA					
Tony. Huang		05-08-20							
DESIGNED BY		DATE		DRAWING NUMBER		REV			
APPROVED BY		DATE		SIZE	RELEASE LEVEL				
				A3	SCALE 1:1	SHEET	1 OF 1		