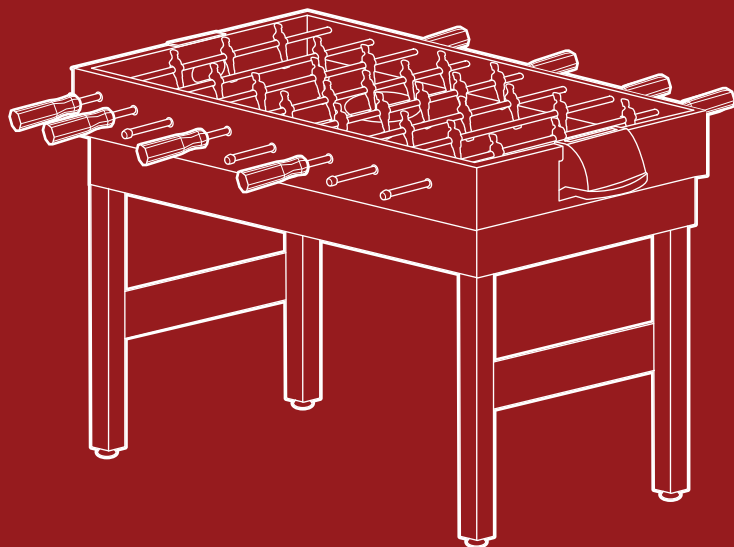




BEST CHOICE
PRODUCTS



INSTRUCTION MANUAL

13-in-1 Multi-Game Table



Fasten screws loosely during assembly. Do not firmly tighten screws until item is fully assembled.

bestchoiceproducts.com



WARNING

CHOKING HAZARD - Toy contains a small ball. Not for children under 3 years old.



WARNING

CHOKING HAZARD - Small parts. Not for children under 3 years old.



WARNING

ADULT ASSEMBLY REQUIRED

NOTICE

Please retain these instructions for future reference.

- Please read all instructions before attempting to install or assemble this item. Assembly should be done by adults only.
- This product contains small parts for assembly. Keep small children and pets away during assembly.
- Do not stand on or use any part of this set as a step ladder.
- Firmly secure all bolts, screws and knobs before use.
- Reconfirm that all bolts, screws, and knobs are secure every 90 days.
- Be aware that some parts are heavy and have sharp edges.
- Assemble this item on a flat, level, and stable surface for an ideal construction.
- Do not use or store this item in the proximity of open flame or flammable/combustible chemicals.
- If any parts are missing, broken, damaged, or worn, stop using this product until repairs are made and/or factory replacement parts are installed.
- Do not use this item in a way inconsistent with the manufacturer's instructions as this could void the product warranty.
- This product is intended for residential use only.

TOOLS REQUIRED



3 YEARS
OLD AND UP

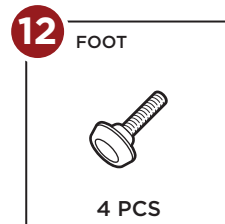
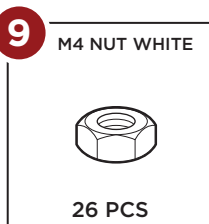
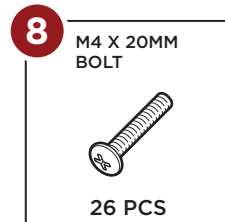
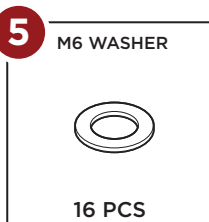
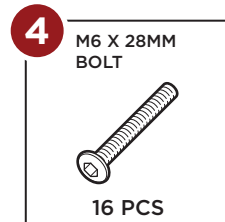
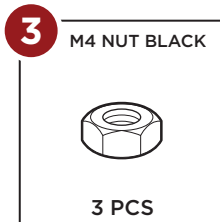
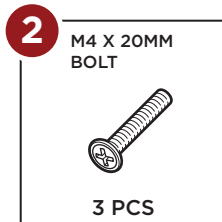


2 PERSON
ASSEMBLY

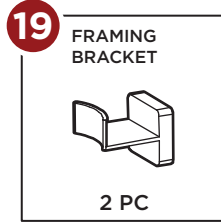
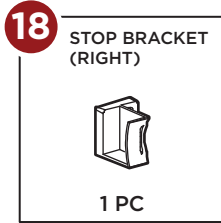
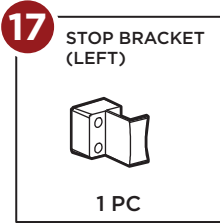
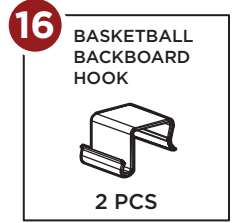
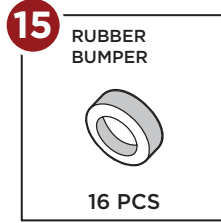
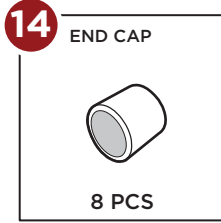
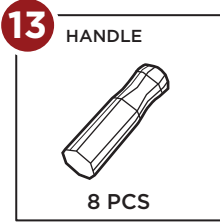


UP TO 1.5 HOUR
ASSEMBLY

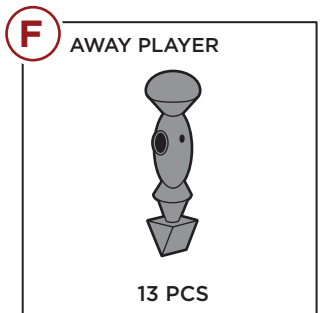
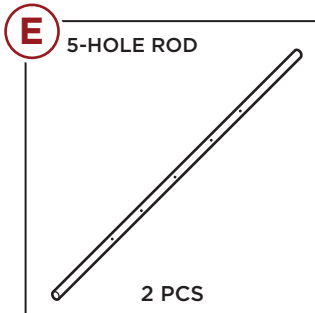
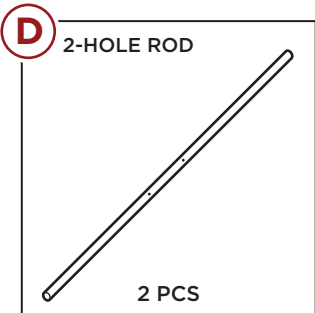
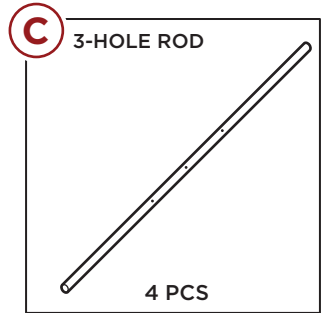
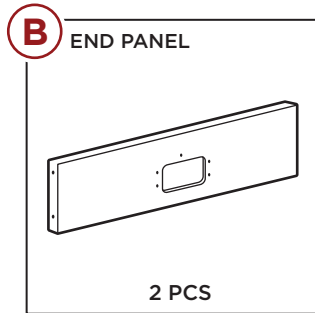
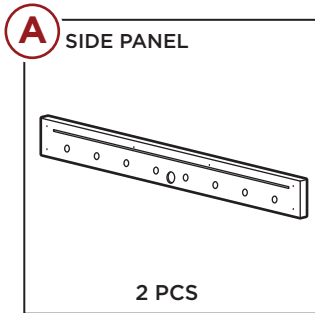
HARDWARE



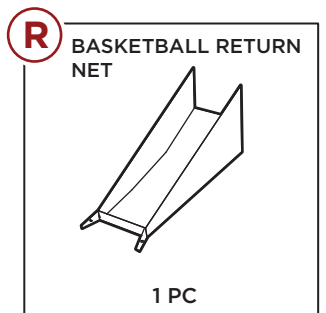
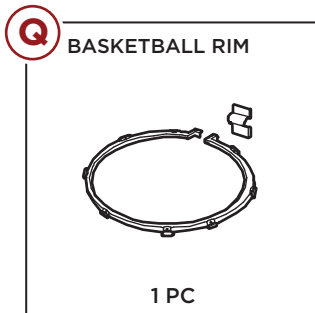
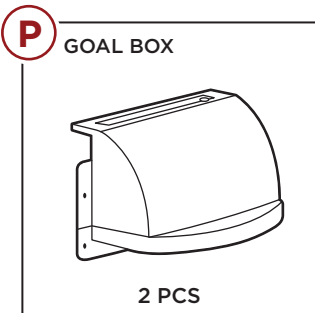
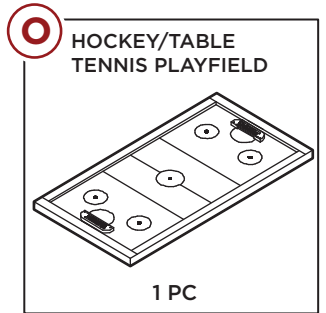
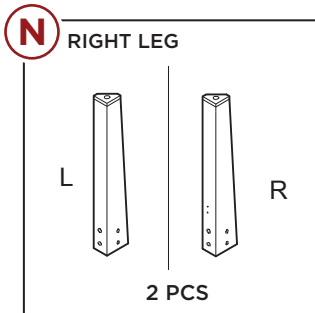
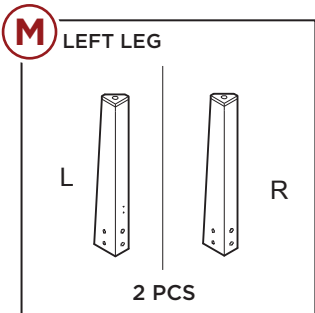
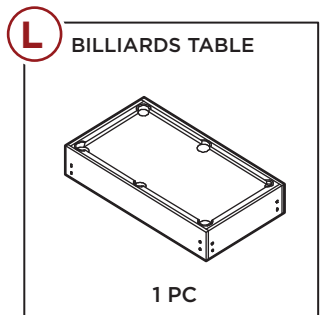
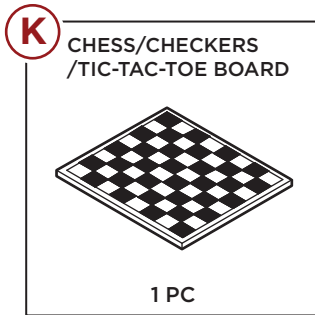
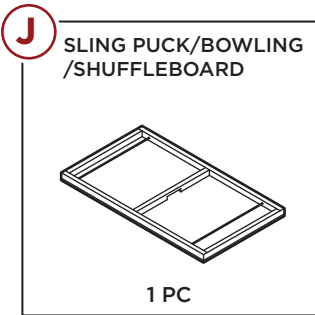
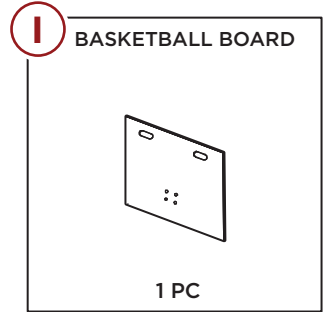
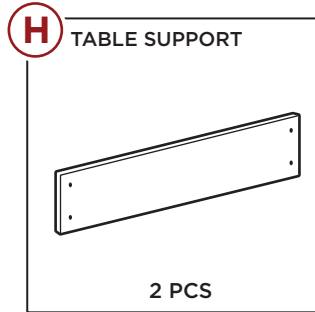
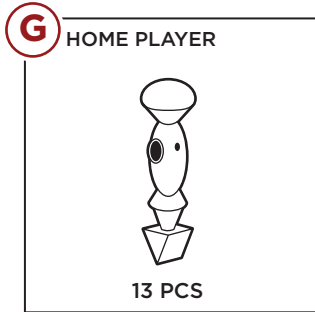
HARDWARE



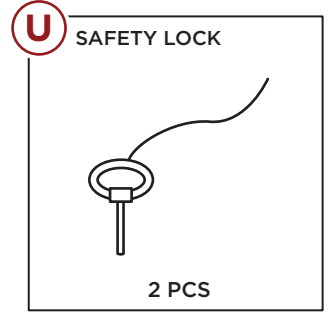
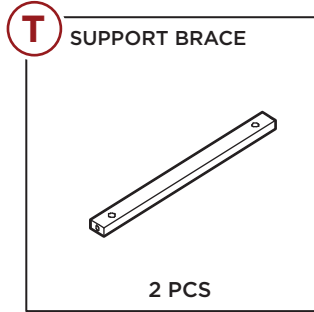
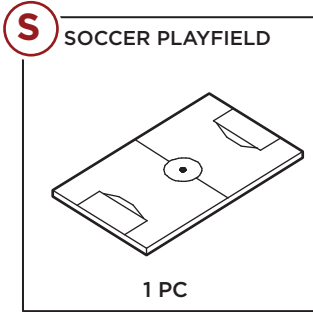
PARTS



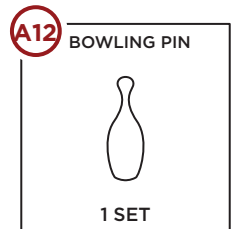
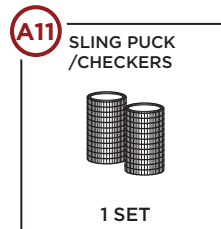
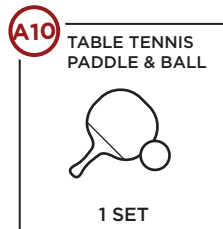
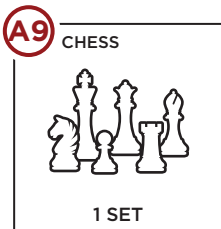
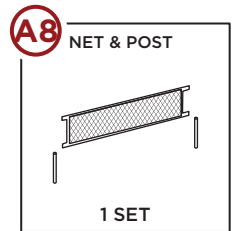
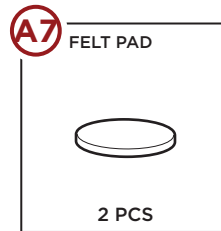
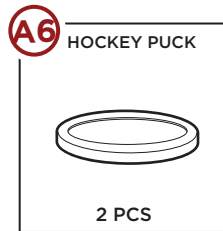
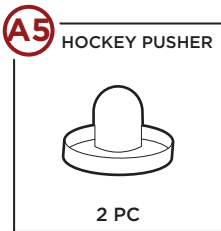
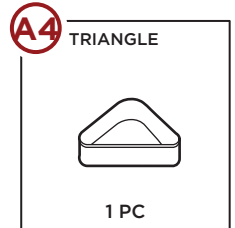
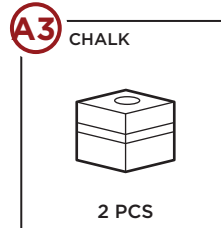
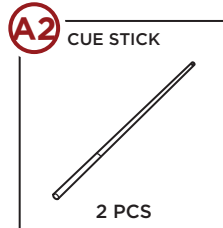
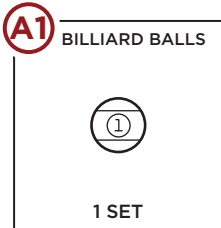
PARTS



PARTS



ACCESSORIES



ACCESSORIES

A13 SHUFFLE BALL



1 SET

A14 BRUSH



1 PC

A15 BOW



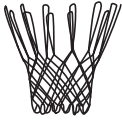
1 PC

A16 SUCTION CUP
ARROW



3 PCS

A17 BASKETBALL NET



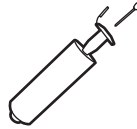
1 PC

A18 BASKETBALL



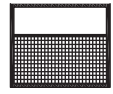
1 PC

A19 AIR PUMP W/
NEEDLE



1 PC

A20 MESH STORAGE
BAG



1 PC

A21 PLASTIC RIVET
PLUG



4 PCS

A22 BALL STOP



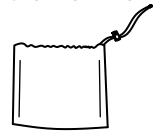
1 PC

A23 SOCCER BALL



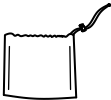
2 PCS

A24 LARGE ACCS.
STORAGE BAG



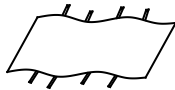
3 PCS

A25 SMALL ACCS.
STORAGE BAG



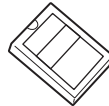
2 PCS

A26 MAIN STORAGE
HAMMOCK



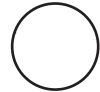
1 PC

A27 PLAYING CARDS



1 DECK

A28 BOWLING BALL

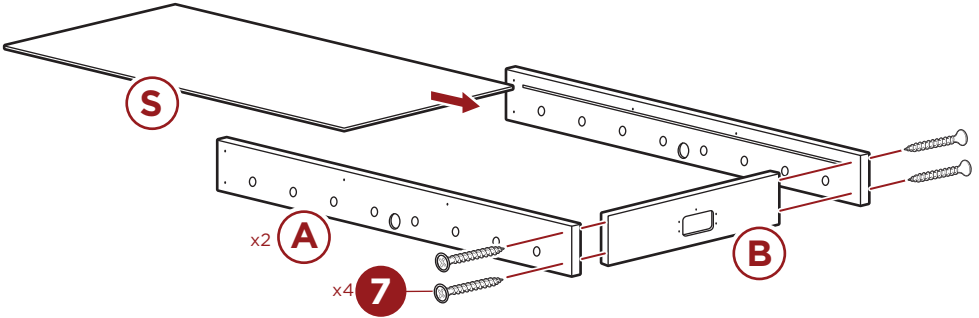


1 PC

PRODUCT ASSEMBLY

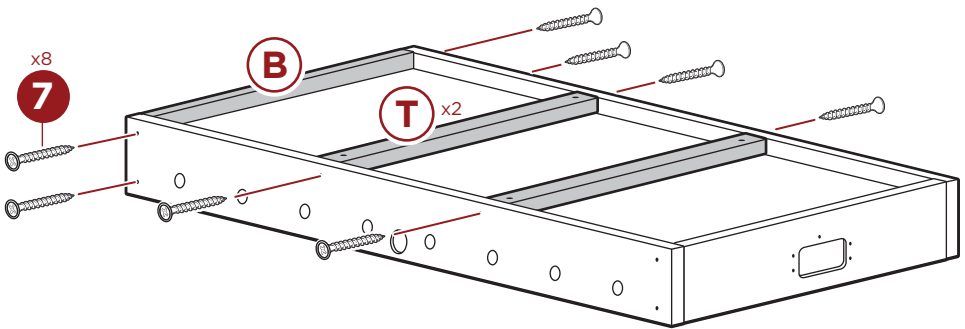
1

Position two **part A side panels** upside down with the ball entry hole closer to the floor. Attach a **part B end panel** with four **part 7 screws**. Flip **part S soccer playfield** upside down and slide it into the designated slots.



2

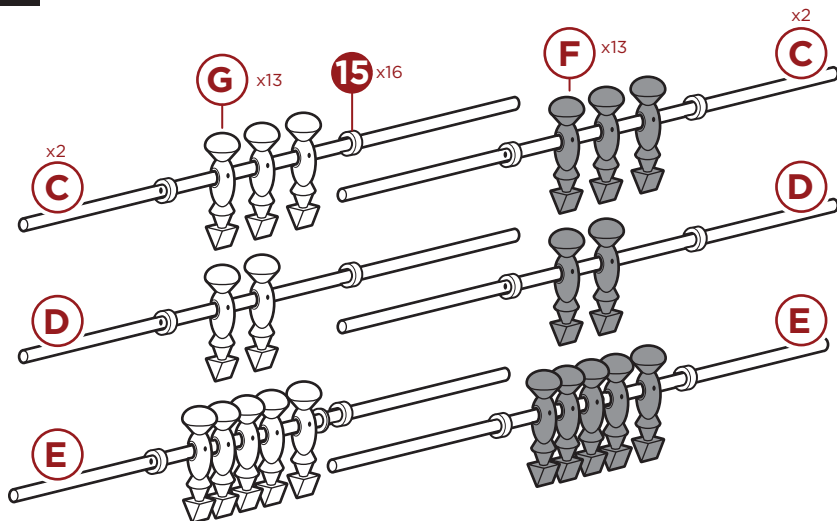
Attach another **part B end panel** and two **part T support brace** with eight **part 7 screws**.



PRODUCT ASSEMBLY

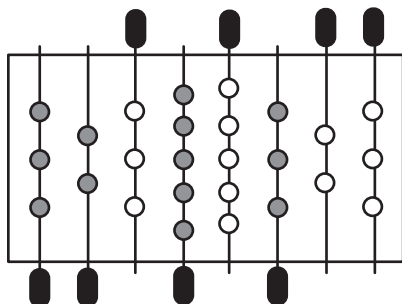
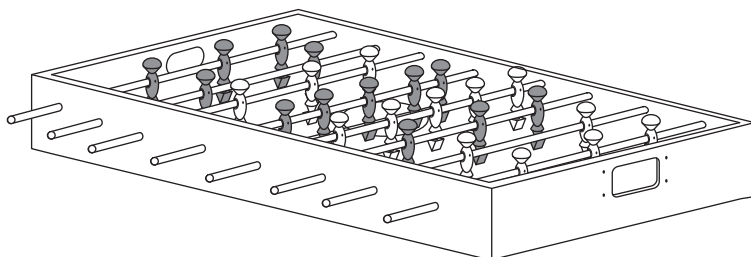
3

Flip the game table over. Slide the appropriate number of **part F and G away/home players** onto the **part C, D, and E rods**. Slide two **part 15 rubber bumpers** onto each rod, one bumper on each side.



4

Slide one end of a rod into the designated hole, then slide the other end into the opposite hole. Repeat for all rods.

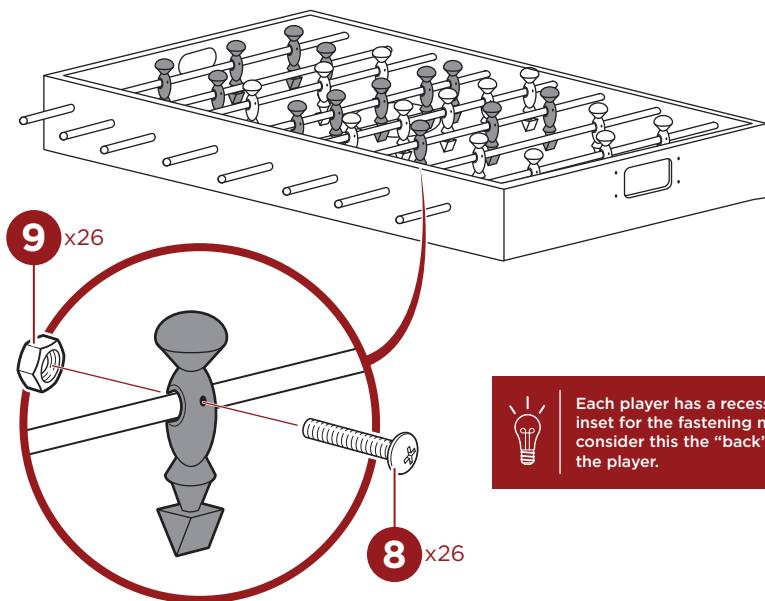


Confirm that the rods are arranged correctly.

PRODUCT ASSEMBLY

5

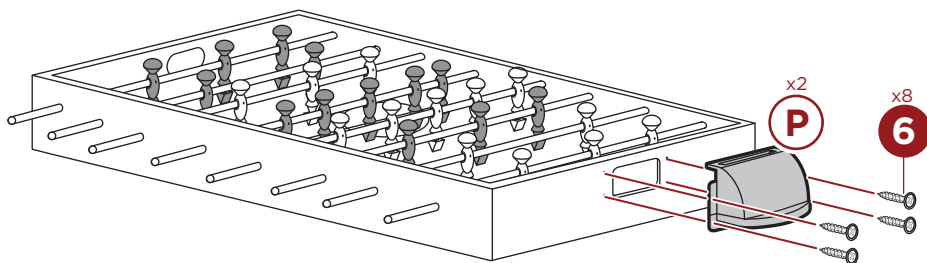
Secure players with twenty-six **part 8 bolts** and twenty-six **part 9 nuts**, one bolt/nut per player.



Each player has a recessed inset for the fastening nut, consider this the "back" of the player.

6

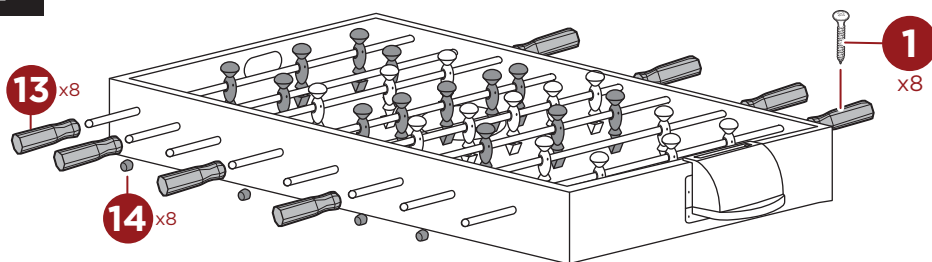
Attach two **part P goal boxes** to the **part B end panels** with eight **part 6 screws**.



PRODUCT ASSEMBLY

7

Slide eight **part 13 handles** and eight **part 14 end caps** onto the rods, one handle and one end cap per rod. Secure each handle with one **part 1 screw**, eight screws total.

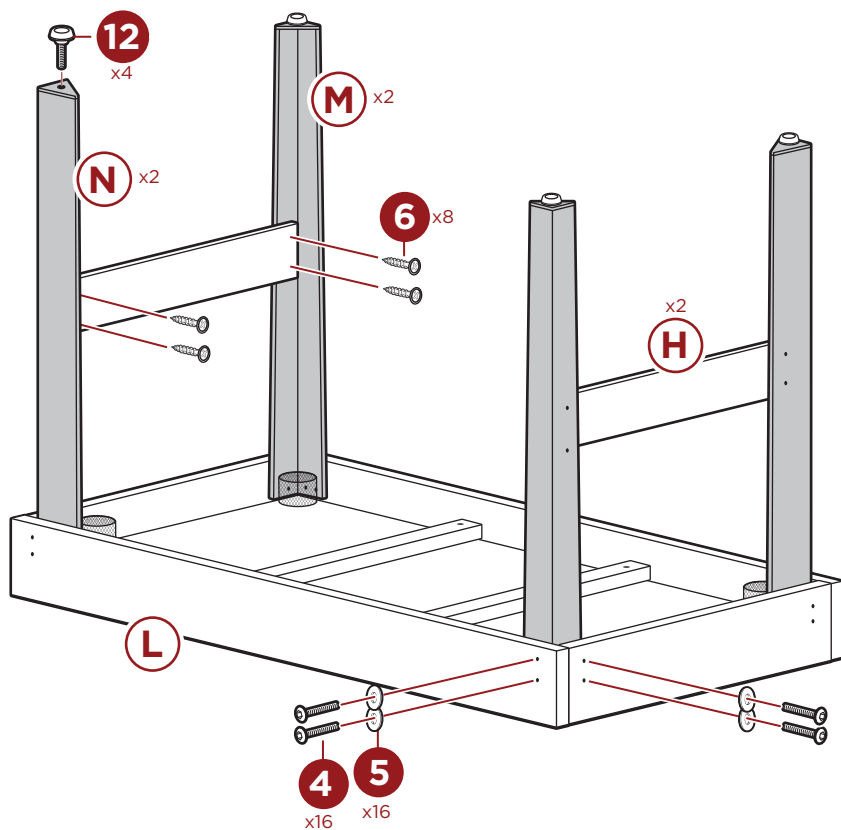


8

Flip the **part L billiards table** upside down. Attach four **part M & N table legs (L/R)** with sixteen **part 4 bolts** and sixteen **part 5 washers**, four screws/washers per leg.

NOTE: Make sure screw holes on table legs align with the billiards table.

Attach two **part H table supports** with eight **part 6 screws**. Screw in four **part 12 feet**.

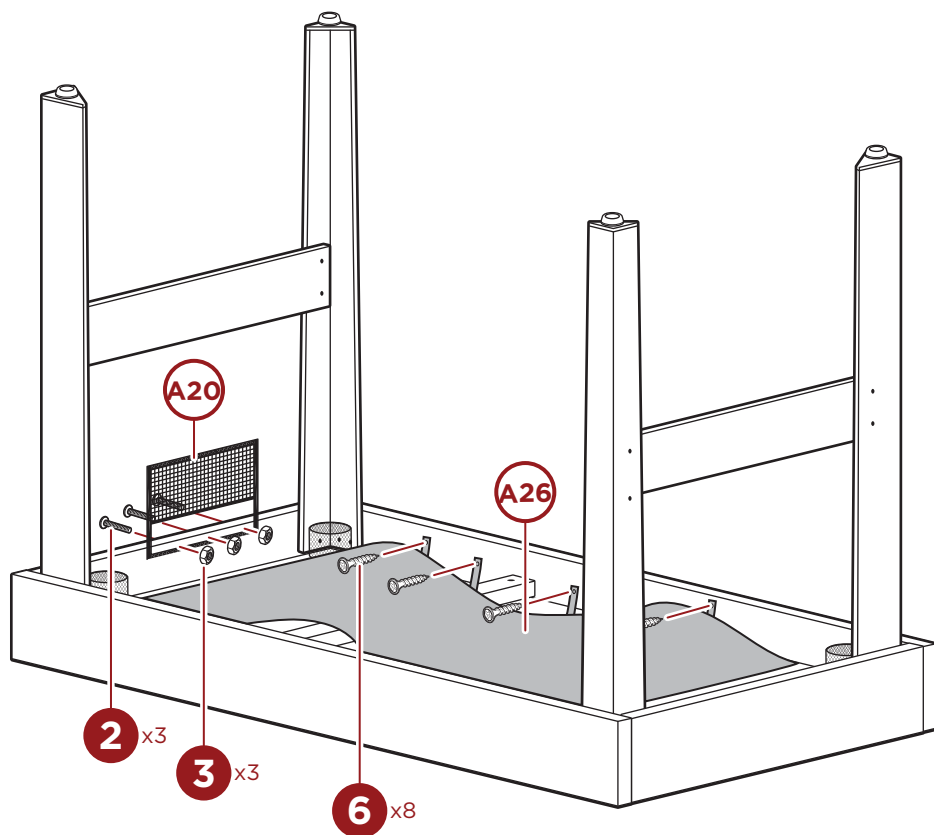


PRODUCT ASSEMBLY

9

Locate the front of the **part L billiard table** and attach the **part A20 mesh storage bag** with three **part 2 screws** and three **part 3 nuts**.

Attach the **part A26 main storage hammock** to the billiard table with eight **part 6 screws**.

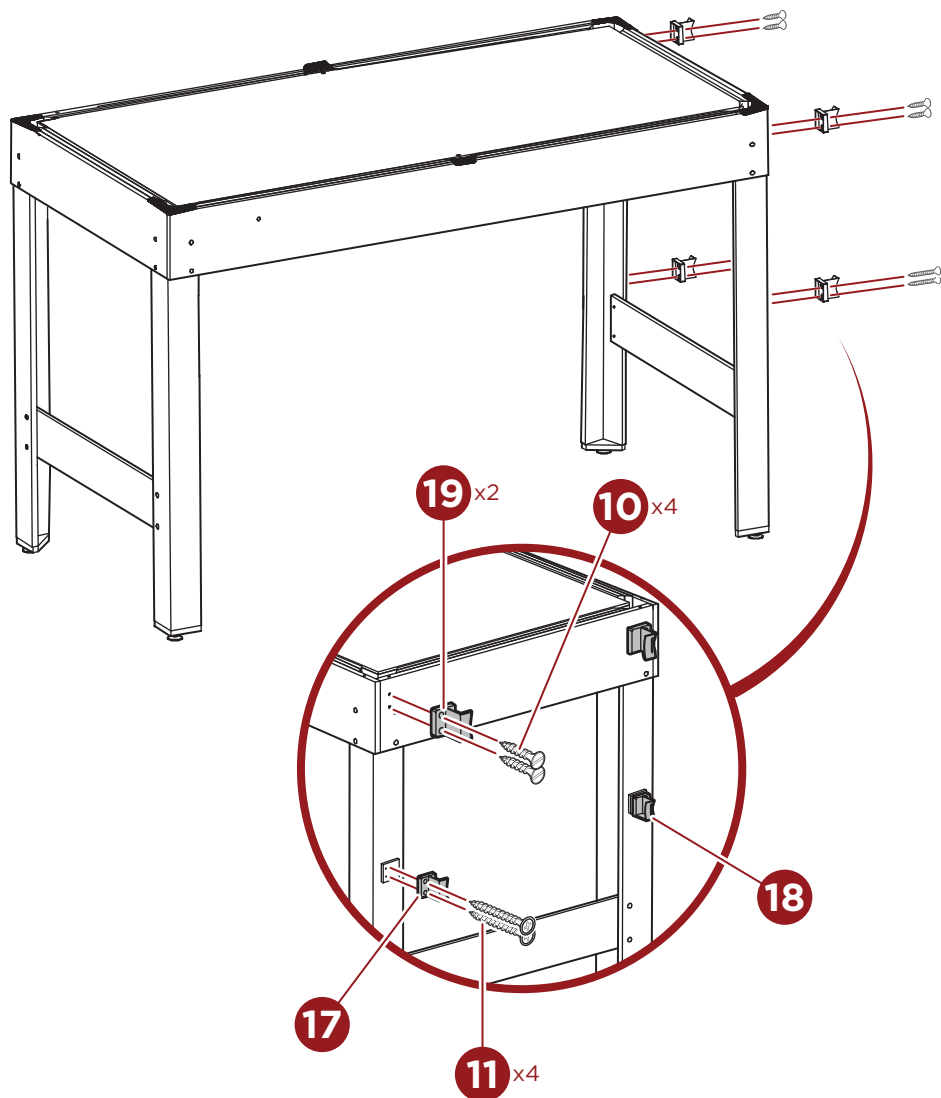


PRODUCT ASSEMBLY

10

Flip the billiard table upright, then attach two **part 19 framing brackets** to the back of the **part L billiard table** with four **part 10 screws**, two screws per bracket.

Attach one **part 17 & 18 stop brackets (L/R)** to the **part M & N legs** with four **part 11 screws**, two screws per bracket.



PLAYING GAMES

Rearrange the game table depending on the game you would like to play.

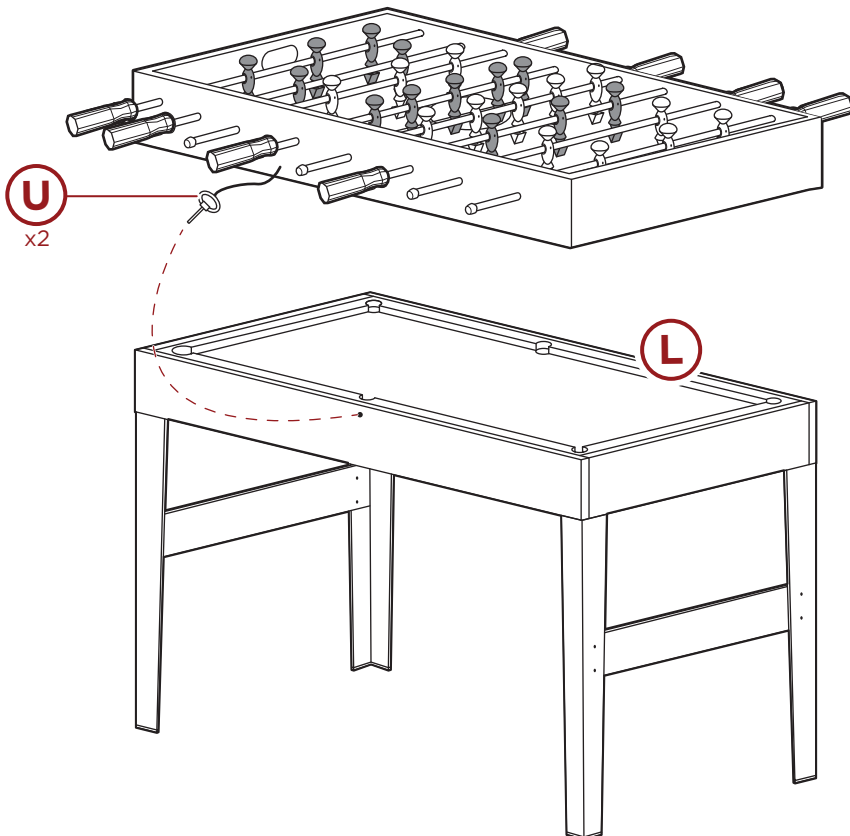
- Billiards
- Foosball
- Table Hockey
- Table Tennis
- Chess
- Checkers
- Tic-Tac-Toe
- Shuffleboard
- Bowling
- Sling Puck
- Cards
- Basketball
- Archery

Foosball:

- Place the foosball table onto the frame of the billiards table and lock it with two **part U safety locks**, one on each side.

Billiards:

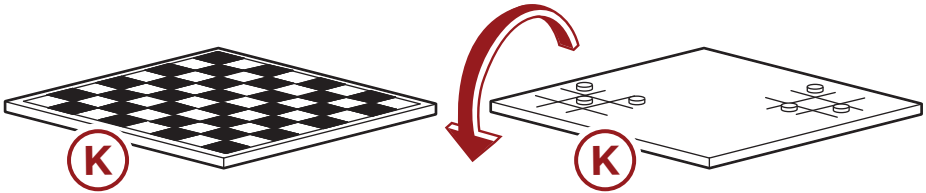
- Remove the other game boards from the top of the **part L billiards table**, then use the **part A1 billiard balls**, **part A2 cue sticks**, and **part A4 triangle** to play.



PLAYING GAMES

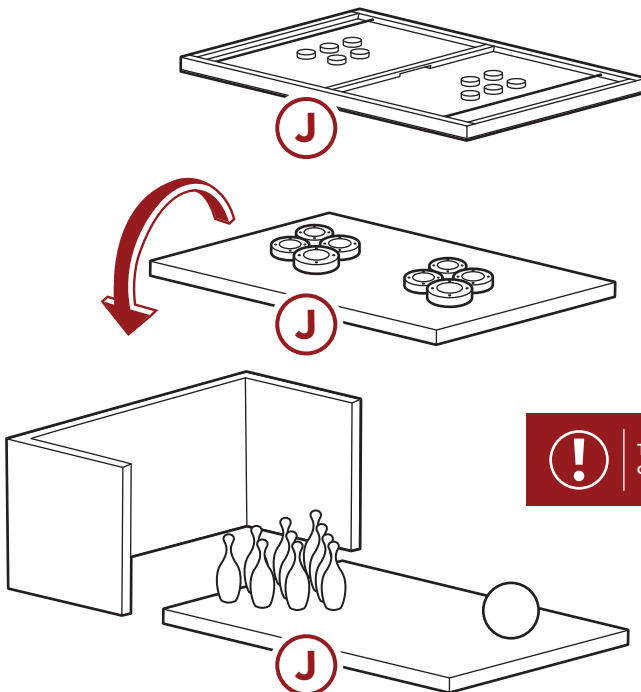
Chess/Checkers/Tic-Tac-Toe:

- Place the part K Chess/Checkerboard on a flat level surface and use either the **part A9 chess set** or **part A11 sling pucks/checkers**.
- Flip the board and use the **part A11 sling pucks/checkers** to play tic-tac-toe.



Sling Puck/Bowling/Shuffleboard:

- Place the **part J sling puck board** on a flat level surface and use ten **part A11 sling pucks/ checkers** to play.
- Use the elastic bands to launch the pucks through the opening in the board and onto your opponents side. When your side of the board is empty you win.
- Flip the board and use the **part A13 shuffle balls** to play shuffle board.
- Attach the **part A22 ball stop** and arrange the **part A12 bowling pins** on the designated spaces. Use the **part A28 bowling ball** to play.

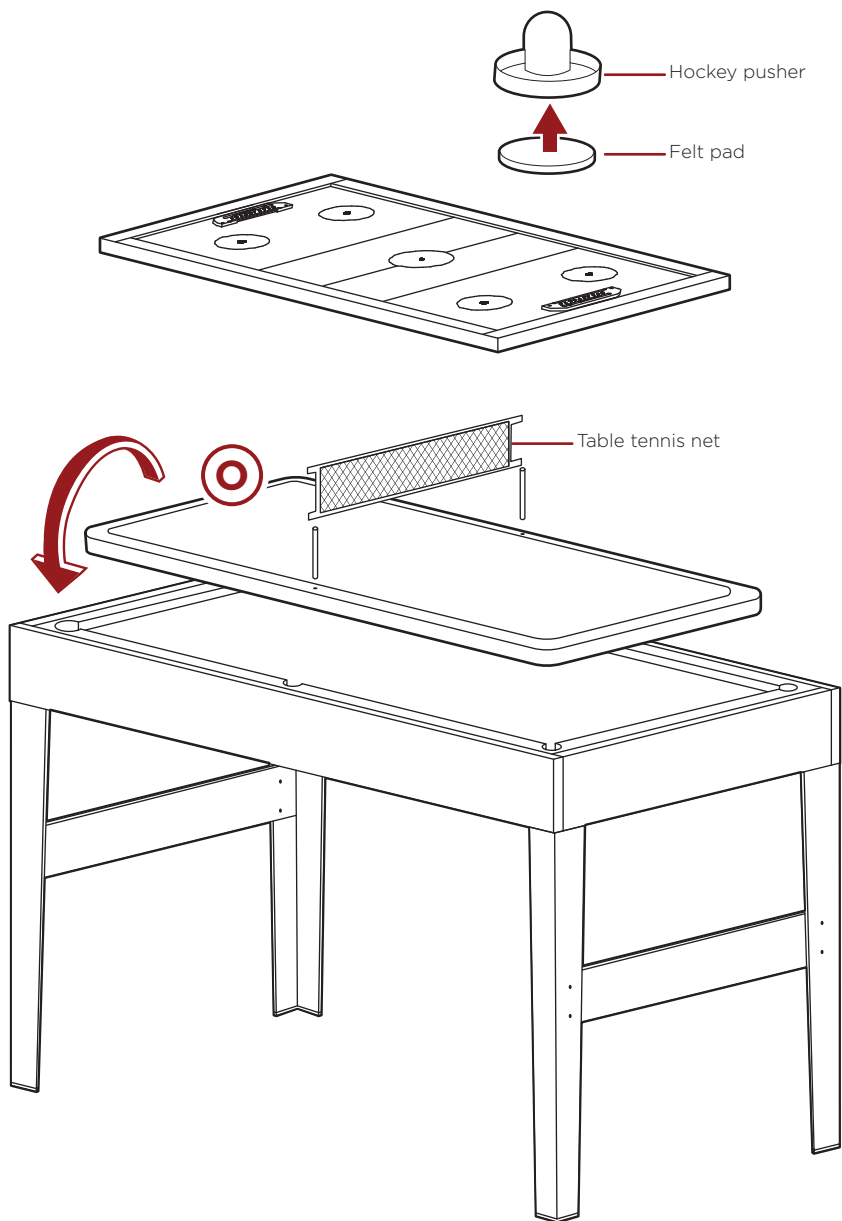


Take care as disks may fly off the board during play.

PLAYING GAMES

Table Tennis/Hockey:

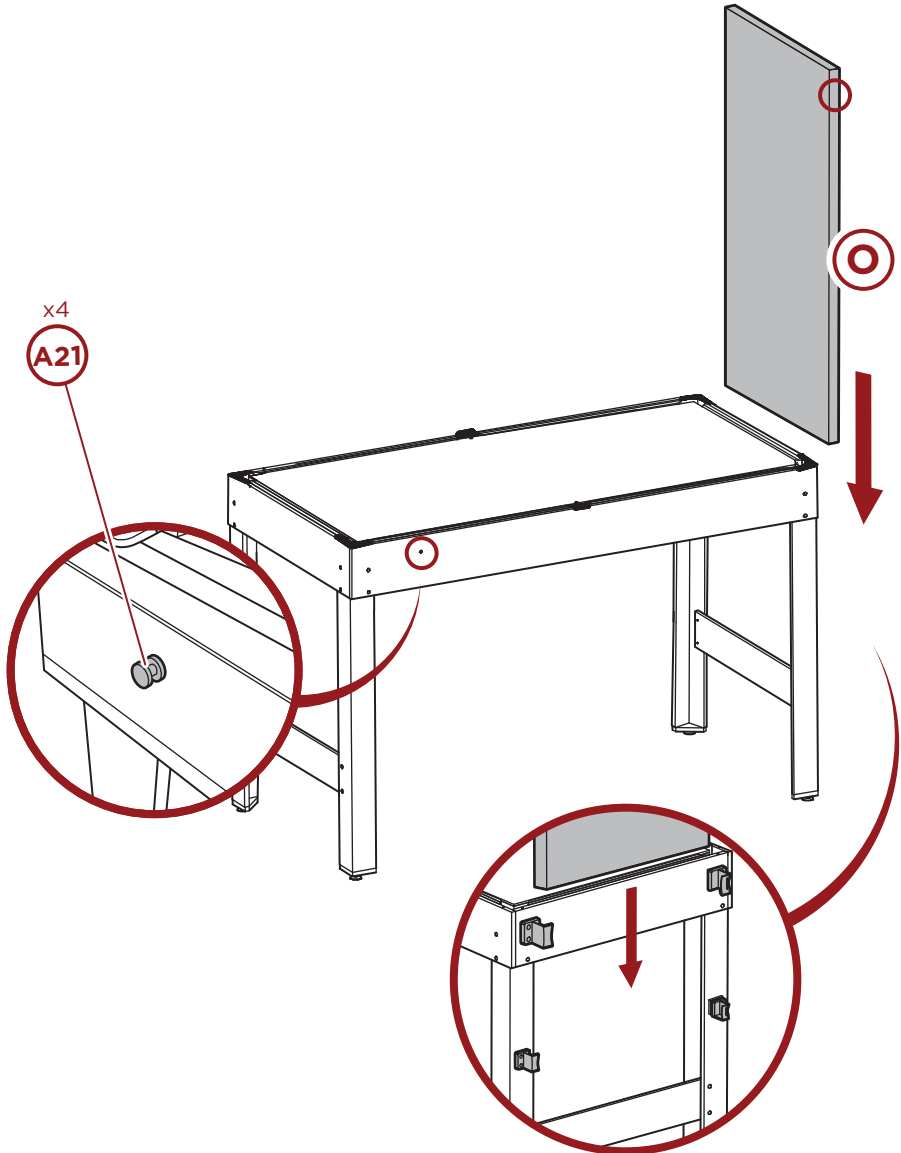
- Flip **part O** to the hockey playfield and place it on the billiards table. Locate two **part A7 felt pads**, peel the paper backing and attach them to two **part A5 hockey pushers**. Use the **part A6 hockey pucks** to play.
- Flip **part O** to the table tennis playfield and place it on the billiards table. Insert the **part A8 table tennis net & post set** into the designated holes.



PLAYING GAMES

Basketball/Archery:

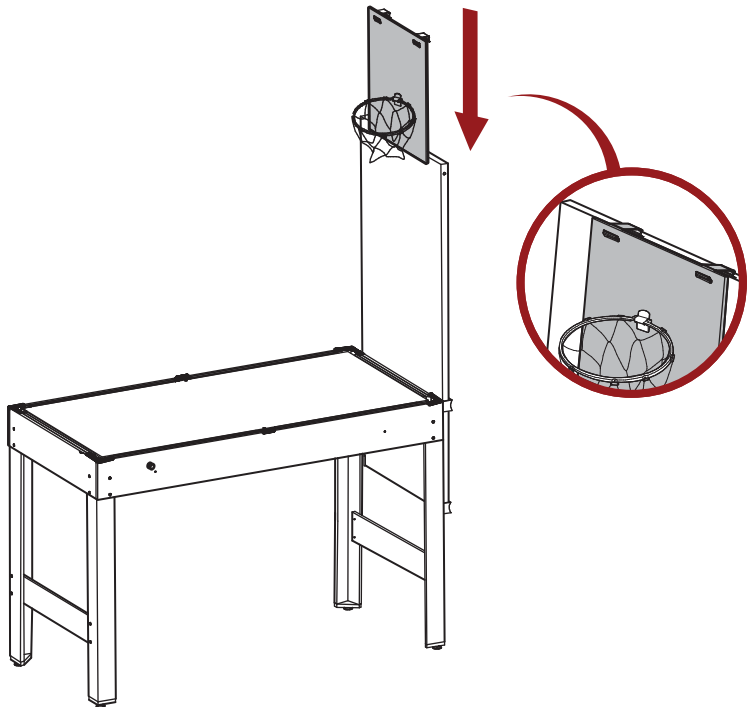
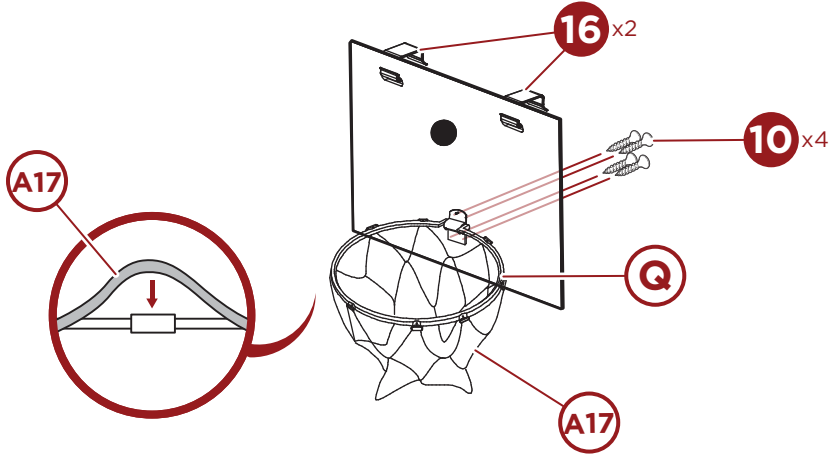
- Insert the **part O table tennis playfield** into the part 17, 18, and 19 brackets with the table tennis side face the billiards table.
- Insert two **part A21 plastic rivet plugs** into the openings near the front end of the billiard table sides, insert the remaining rivet plugs into the openings on the on the side of the **part O table tennis playfield**.



PLAYING GAMES

Basketball/Archery:

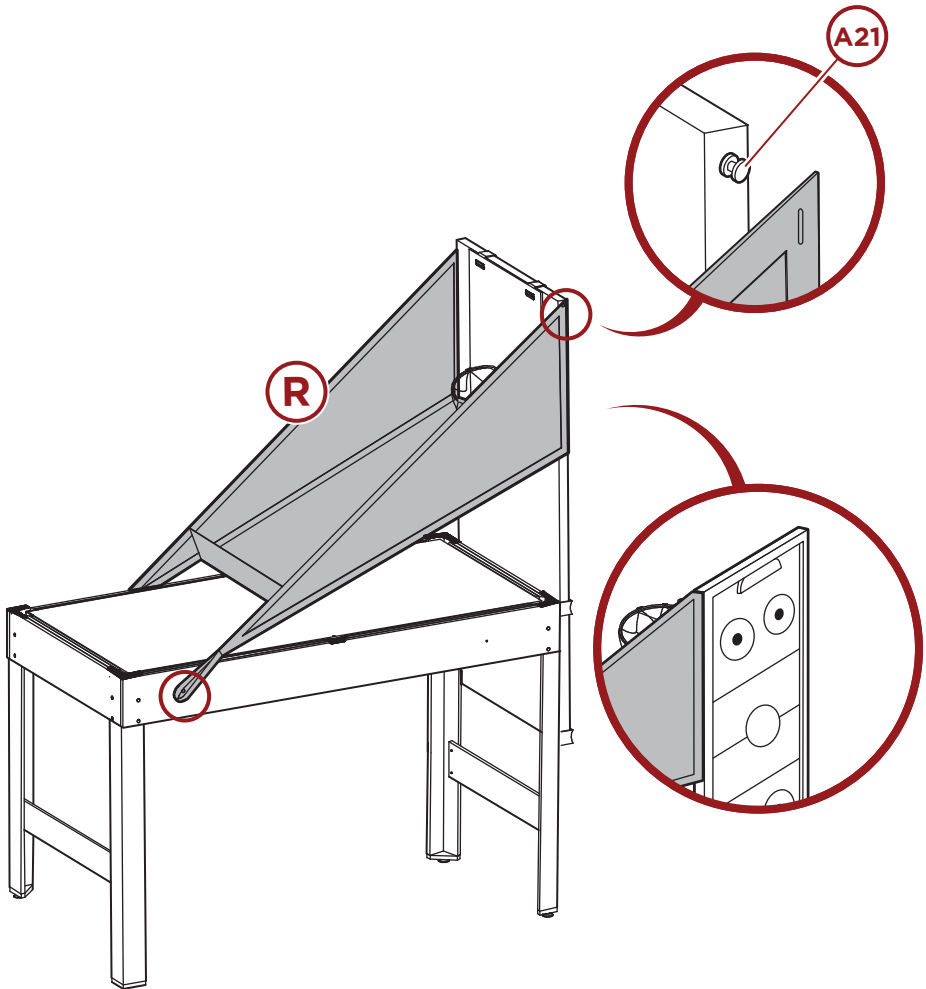
- Locate and attach the **part A17 basketball net** and attach it to the **part Q basketball rim**.
- Locate the **part I basketball board** and attach the **part Q basketball rim** with four **part 10 screws**.
- Insert two **part 16 basketball backboard hooks** into the backboard and hang it off the top of the **part O table tennis playfield**.



PLAYING GAMES

Basketball/Archery:

- Locate the **part R basketball return net** and attach it to the **part L billiard table** and **part O table tennis playfield** by looping the canvas hooks over the **part A21 plastic rivet plugs**, secure by wrapping the elastic strap on the return net around **part O**.
- Use the **part A19 air pump and needle** to inflate the **part A18 basketball**, use the basketball to play.
- Turn the assembly around and use the **part A15 & A16 bow and arrow** to play.





HELP CENTER



Question about your product? We're here to help. Visit us at:

help.bestchoiceproducts.com



Chat Support



Product Inquiry



Orders FAQ



Product Assembly



Returns & Refunds

PRODUCT WARRANTY INFORMATION

All items can be returned for any reason within 60 days of the receipt and will receive a full refund as long as the item is returned in its original product packaging and all accessories from its original shipment are included. All returned items will receive a full refund back to the original payment method. All returned items will not be charged a re-stocking fee.

All returned items require an RA (Return Authorization) number, which can only be provided by a Best Choice Products Customer Service Representative when the return request is submitted. Items received without an RA may not be accepted or may increase your return processing time. Once an item has been received by Best Choice Products, refunds or replacements will be processed within 5 business days.

All returns must be shipped back to the Best Choice Products Return Center at the customer's expense. If the reason for return is a result of an error by Best Choice Products then Best Choice Products will provide a pre-paid shipping label via email. Boxes for return shipping will not be provided by Best Choice Products, and is the customer's responsibility to either use the original shipping boxes or purchase new boxes.

Pictures may be required for some returns to ensure an item is not damaged prior to its return. Items returned are not considered undamaged until they are received by Best Choice Products and verified as such. All damages to items are the customer's responsibility until the item has been received by and acknowledged by Best Choice Products as undamaged.

© Best Choice Products, Inc. All rights reserved. Distributed by Best Choice Products, Inc. Tustin, CA 92780

WARNING

Manufacturer and seller expressly disclaim any and all liability for personal injury, property damage or loss, whether direct, indirect, or incidental, resulting from the incorrect attachment, improper use, inadequate maintenance, unapproved modification, or neglect of this product.