



# Cimarron® | K-2351-4

22-3/4" rectangle drop-in bathroom sink

## Features

- 4" (102 mm) centerset faucet holes
- Overflow drain
- Coordinates with other products in the Cimarron collection



## Available Colors/Finishes

*Color tiles intended for reference only.*

- 0 White



1-800-4KOHLER (1-800-456-4537)  
Kohler Co. reserves the right to make revisions without notice to product specifications.  
For the most current specification sheet, go to [www.kohler.com](http://www.kohler.com) USA or [www.kohler.ca](http://www.kohler.ca) Canada.  
4-7-2026 21:5 - US-CA

THE BOLD LOOK  
OF **KOHLER**®

## Codes/Standards

ADA, OBC, CSA B651 compliant when installed to the specific requirements of these regulations.

ADA CSA B651 OBC

ASME A112.19.2/CSA B45.1

ADA

ICC/ANSI A117.1

CSA B651

OBC

## Technical Information

|                       |                  |
|-----------------------|------------------|
| Number of Deck Holes: | 3                |
| Faucet Hole(s) Size:  | 1-1/4" (32 mm)   |
| Center(s):            | 4" (102 mm)      |
| With Overflow:        | Yes              |
| Drain Hole Diameter:  | 1-3/4" (44 mm)   |
| Basin Configuration:  | Single Bowl      |
| Basin Length:         | 20-3/8" (518 mm) |
| Basin Width:          | 11-1/2" (292 mm) |
| Basin Depth:          | 6-1/8" (156 mm)  |

## Material

- Vitreous china

## Recommended Products/Accessories

K-23726 Drain treatment

K-8998 Adjustable P-trap with tubing outlet, 1-1/4" x 1-1/4"

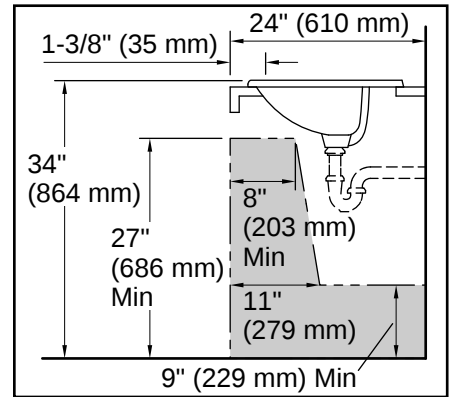
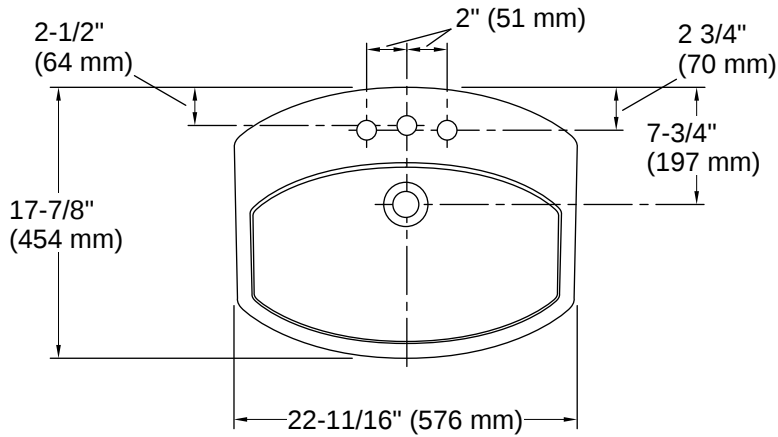
K-23725 Cast iron cleaner

## Warranty

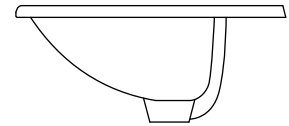
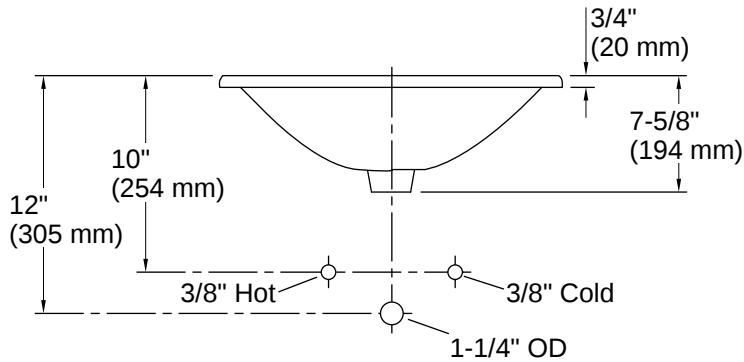
See website for detailed warranty information.

KOHLER® Vitreous China Bathroom Sink Lifetime Limited Warranty





Recommended ADA Installation



## Installation

- Drop-in

## Installation Notes

*Install this product according to the installation instructions.*

NOTICE: Countertop manufacturer or cutter must use the cut-out template provided with the product, or a current one provided by Kohler Co. (call 1-800-4KOHLER). Kohler Co. is not responsible for cutout errors when the incorrect cut-out template is used.

Product dimensions are nominal and may vary per ASME A112.19.2 tolerances.

ADA, OBC, CSA B651 compliant when installed to the specific requirements of these regulations.

