



OFFSET SINK STRAINER KITS- ADA COMPLIANT TECHNICAL SPECIFICATION

Job Name _____	Item # _____
Location _____	
Engineer _____	Contractor _____
PO # _____	Tag _____
Representative _____	

SPECIFICATIONS

Dearborn Offset Sink Strainer Kits are designed for tubular offset wheelchair applications. Available with "Super 6" Sink Basket Strainer with threaded stainless steel body and basket (PN #6) or Threaded Brass Body Sink Basket Strainer (PN #16 BN). Kits include 1-1/2" x 7" Slip Joint Waste Arm and 1-1/2" x 11" Direct Connect (Flanged) Waste Arm. Options available with Brass Nuts or Zinc Chrome Plated Nuts. Kits are ADA Compliant when installed per ADA guidelines.

DESCRIPTION

- Chrome Finish
- Offset Sink Strainer Kits
 - (1) Sink Strainer
 - (1) Sink Basket
 - (1) Rubber Washer
 - (1) Friction Washer
 - (1) Locknut
 - (1) Flanged Washer
 - (1) Slip Joint Waste Arm
 - (1) Direct Connect (Flanged) Waste Arm
 - (2) Nuts
 - (1) Flat Washer

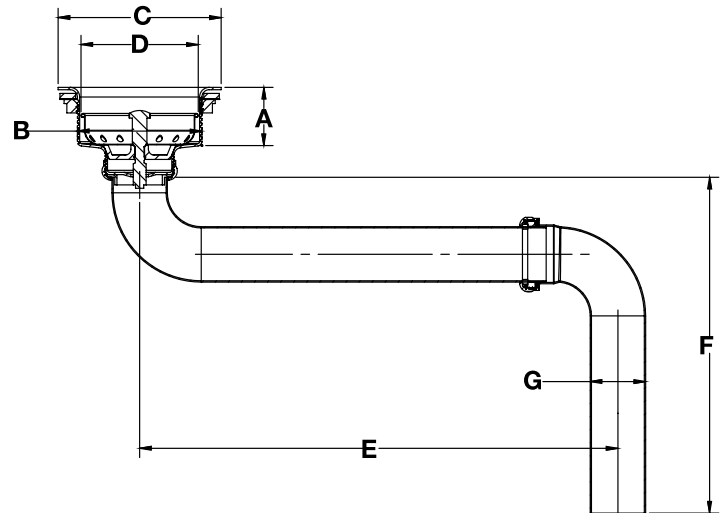


APPROVALS & LISTINGS



DIMENSIONS

[A]: Sink Strainer Depth	1.57"	[E]: Overall Length	12.94"
[B]: Sink Strainer Threads	3"-8 NPSM	[F]: Overall Height	9.09"
[C]: Sink Strainer width	4.41"	[G]: Pipe Diameter	1.5"
[D]: Basket width	3.17"		



PRODUCT SELECTOR

OFFSET SINK STRAINER KITS- ADA COMPLIANT			
✓	Product Number	Description	Carton Quantity
	1151BN	Offset Sink Strainer Kit - Brass Strainer w/ Brass Nuts	1
	1151	Offset Sink Strainer Kit - Stainless Steel Strainer	1

Data is subject to manufacturing tolerances.

Access BIM/Revit content through www.oatey.com