

# DLQ5

## 5" Square LED Downlight | New Construction

### Product Description

The DLQ5 Square Series is a modern architectural solution for lighting commercial, retail, and institutional spaces in the new construction market where high efficiency, low energy lighting is desired. Utilizing high efficiency LED technology to balance color for natural white light and offering greater than 90 CRI, the high efficacy and exceptional color rendering make this luminaire an ideal choice for corridors, conference rooms, lobbies, and large offices. Constructed with a durable galvanized steel frame and adjustable hanger bars, the DLQ5 Series fits securely and installs easily into most any space.

#### Construction

- Die cast aluminum module routes heat away from electrical components
- Durable galvanized steel frame, with adjustable hanger bars to fit securely into most spaces

#### Optical System

- Polystyrene diffuser and reflector cone create a uniform light distribution that reduces glare without sacrificing lumen output

#### Electrical

- Utilizes high performing LEDs with greater than 90 CRI and an R9 greater than 50
- Dimmable to 10% with most standard dimmers
- Thermally protected, high efficiency driver standard
- IC Rated
- Operating temperature rating of 0°F to 120°F (-18°C – 49°C)
- Input voltage of 120V
- TM-21 Projected L70(6K) life > 46,000 hrs
- LM-79, LM-80 testing performed in accordance with IESNA standards

#### Finish

- Galvanized steel frame
- Interior high reflective finish
- White plastic trim (available in smooth or baffle)

#### Frame Installation

- NICOR captive hanger bars allows housing to be positioned at any point within a 24" joist span
- Unique hanger bar lip design helps align frame to joist
- Four double-headed captive nails provide for ease of installation
- Bars can be repositioned 90° on plaster frame without tools
- Score lines allow bars to be shortened without tools to accommodate a 12" joist span

#### Module and Trim Installation

- Quick and easy installation with torsion spring mounting system

#### Warranty

5-year limited system warranty standard

Project

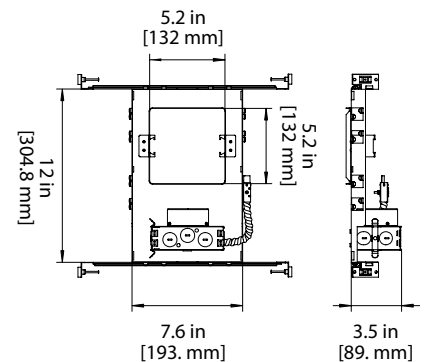
Catalog

Type

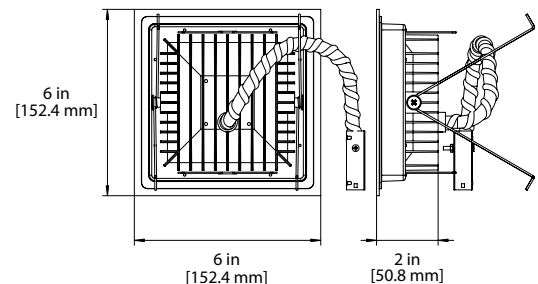
Date



#### Frame:



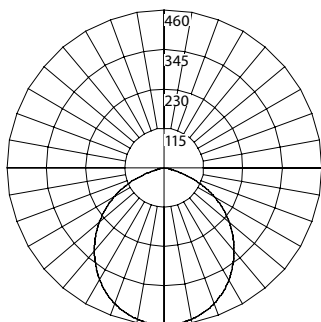
#### Module



## Photometric Data

### DLQ5 2700K

Input Voltage (VAC)	120V
System Level Power (W)	15.9
Delivered Lumens (Lm)	1189
System Efficacy (Lm/W)	74.8
Correlated Color Temp (K)	2993
Color Rendering Index (CRI)	92
Beam Angle	102°
Spacing Criteria	1.23



#### Intensity Summary (Candle Power)

Angle	Mean CP
0	469
5	467
15	448
25	412
35	358
45	292
55	217
65	132
75	41
85	7
90	0

#### Cone of Light Tabulation

Mounted height (Feet)	Footcandles Beam Center	Diameter (Feet)
4	29.3	4.9
6	13.1	7.4
8	7.3	9.8
10	4.7	12.3
12	3.3	14.7
14	2.4	17.2
16	1.8	19.6

#### Zonal Lumen Summary

Zone	Lumens	% of Luminaire
0-30	360	30.3%
0-40	585	49.2%
0-60	1003	84.4%
0-90	1189	100.0%
90-180	0	0.0%
0-180	1189	100.0%

Fixture tested per LM-79-08. Photometric data is of the performance of a representative fixture. Results may vary in the field.

#### Performance Data

Model Number	Lumens	Watts	Lumens/Watt
DLQ5-10-120-3K	1189	15.9	74.8

#### Recommended Dimmers\*

Lutron DIVA DVELV-300P  
Lutron DIVA DVELV-303P  
Lutron Skylark SELV-300P

\*Not a complete list. Check compatibility before installation.

## Ordering Information

Includes Light Module, Frame, and Trim boxed separately

Example: DLQ5-10-120-3K-WH

Series	Version	Voltage	CCT's	Trim Color
DLQ5	10 (Version 1)	120 (120V)	3K (3000 K)	WH (White)
				WH-BF (White Baffle)

Component	Part Number	Description
LIGHT MODULE	DLQ5-10-120-3K	3000K 5" Square 90CRI Module
FRAME	DLQ5-10-FRAME	5" Square Frame
TRIM	DLQ5-TRIM-WH	5" LED Square White Trim
	DLQ5-TRIM-WH-BF	5" LED Square White/Baffle Trim

Specifications and dimensions subject to change without notice.