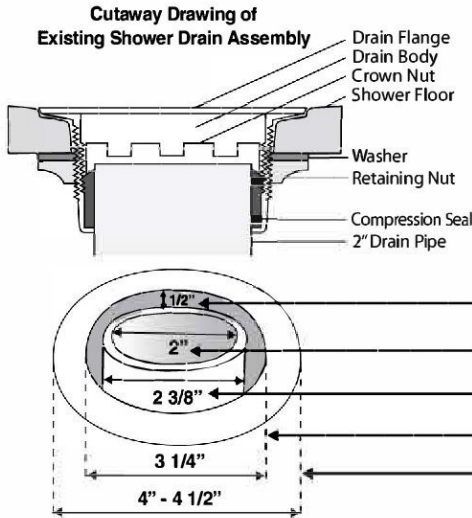


BEFORE YOU START FOLLOW THE CHECK LIST BELOW



WINGTITE CHECK LIST ✓

1. See how it works. Watch the video at wingtite.com before you begin. ✓
 2. WingTite is for fiberglass & plastic showers including: acrylic, cultured marble and composites. **WARNING:** Not for tile shower floors. ✓
- Check your shower drain measurements:**
3. Top of the pipe must be approximately 1/2" from the shower floor ✓
 4. Drain pipe inside diameter 2" (white PVC or black ABS) ✓
 5. Drain pipe outside diameter 2 3/8" (white PVC or black ABS) ✓
 6. Minimum shower pan hole diameter 3 1/4" ✓
 7. Drain flange diameter 4" - 4 1/2" ✓
 8. If your drain appears different, we can help. Call our Tech Support 805-927-1753. ✓

Recommended Tools and Material



Removal of Existing Shower Drain Body

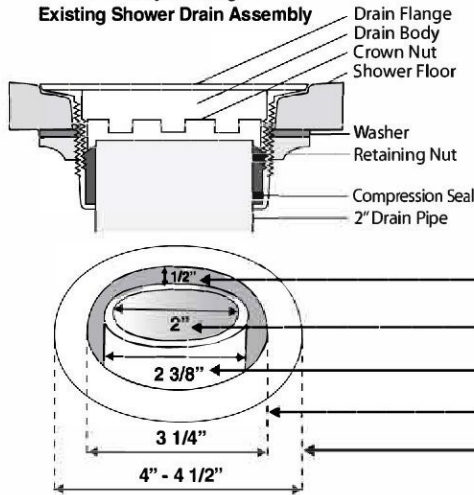
Instrucciones en español en YouTube: tinyurl.com/wingtite-spanish

1. Remove drain cover with flat blade screwdriver.
2. Remove the crown nut by unthreading it using needle nose pliers.
3. Extract the compression seal exposing drain pipe and shower drain body.
4. With mini hacksaw, make two vertical cuts approximately 1" apart through drain body. Cut completely through drain body without cutting into shower pan or damaging drain pipe.
5. Continue cutting horizontally through drain flange to weaken it, but not deep enough to damage the shower pan.
6. Once horizontal drain flange is cut, use flat blade screwdriver to pry up 1" flange to break it free from the shower pan.
7. Remove the 1" width of drain body from shower pan.
8. Squeeze the remaining shower drain to collapse it. The retaining nut and washer drop down, staying below the shower pan.
9. Remove shower drain from pan. Clean shower floor around the drain hole to ensure new drain adhesion, and clean below to allow unrestricted wing movement.

Questions??? Call us, we are here to help. WingTite Tech Support: 805-927-1753 | Mon-Fri 10am-4pm (PST)

BEFORE YOU START FOLLOW THE CHECK LIST BELOW

Cutaway Drawing of Existing Shower Drain Assembly



WINGTITE CHECK LIST

1. See how it works. Watch the video at wingtite.com before you begin.
2. WingTite is for fiberglass & plastic showers including: acrylic, cultured marble and composites. **WARNING:** Not for tile shower floors.

Check your shower drain measurements:

3. Top of the pipe must be approximately 1/2" from the shower floor
4. Drain pipe inside diameter 2" (white PVC or black ABS)
5. Drain pipe outside diameter 2 3/8" (white PVC or black ABS)
6. Minimum shower pan hole diameter 3 1/4"
7. Drain flange diameter 4" - 4 1/2"
8. If your drain appears different, we can help. Call our Tech Support 805-927-1753.

Recommended Tools and Material



Removal of Existing Shower Drain Body

Instrucciones en español en YouTube: tinyurl.com/wingtite-spanish

1. Remove drain cover with flat blade screwdriver.
2. Remove the crown nut by unthreading it using needle nose pliers.
3. Extract the compression seal exposing drain pipe and shower drain body.
4. With mini hacksaw, make two vertical cuts approximately 1" apart through drain body. Cut completely through drain body without cutting into shower pan or damaging drain pipe.
5. Continue cutting horizontally through drain flange to weaken it, but not deep enough to damage the shower pan.
6. Once horizontal drain flange is cut, use flat blade screwdriver to pry up 1" flange to break it free from the shower pan.
7. Remove the 1" width of drain body from shower pan.
8. Squeeze the remaining shower drain to collapse it. The retaining nut and washer drop down, staying below the shower pan.
9. Remove shower drain from pan. Clean shower floor around the drain hole to ensure new drain adhesion, and clean below to allow unrestricted wing movement.

Questions???. Call us, we are here to help. WingTite Tech Support: 805-927-1753 | Mon-Fri 10am-4pm (PST)