

# DLS56

## Surface Mount LED Downlight

### Product Description

Recessed housing is no longer required as the DLS Surface Mount LED Downlight fastens directly to most any standard 4/O junction box. Simply remove the twist lock diffuser and set your included captive screws. It's that quick! The DLS downlight is also versatile enough for use in most 5/6" recessed housings making it a very flexible lighting solution for both retrofit and new construction. Offering either a 2700K, 3000K or 4000K color temperature and a high color rendering of 90+CRI, the DLS downlight is also dimmable to 5%. It's easy to add light with minimal effort in spaces such as hallways, bathrooms, basements, entry ways, porches, stairways, work areas, utility closets, corridors. You can also take advantage of the wet location rating and use it in showers and bathrooms.

#### Construction

- Die cast aluminum trim routes heat away from electrical components
- Low profile driver allows for surface mount installation in a 4/O J-box
- Captured screws and slotted mounting holes.
- Twist lock diffuser allows for easy removal during installation
- Suitable for use in closets

#### Optical System

- White polycarbonate diffuser eliminates hot spots creating a pleasantly uniform light distribution

#### Electrical

- Utilizes high performing LEDs with greater than 90 CRI and an R9 greater than 50
- Dimmable to less than 5% with most standard TRIAC dimmers
- Thermally protected, high efficiency driver
- Operating temperature rating of 0°F to 120°F (-18°C to 49°C)
- Input voltage of 120VAC
- Reported lifetime rated for greater than 60,000 hours
- LM79, LM-80 testing performed in accordance with IESNA standards
- Meets FCC Part 15, Subpart B, Class B standards for conducted and radiated emissions.

#### Finish

- Exterior white powder coat finish

#### Installation

- Direct mount to a non-metallic 4" or metal 4/O J-box
- Slotted mounting holes and captured screws allow for easy installation into most 4" J-boxes
- Compatible with most 5" and 6" recessed housings using included V-spring adapters
- Quick and easy recessed housing installation with a screw-in Edison base (GU24 socket string available)
- Suitable for wet locations
- Compliant with NFPA® 70, NEC® Section 410.16 (A)(3) and 410.16 (C)(5)

#### Warranty

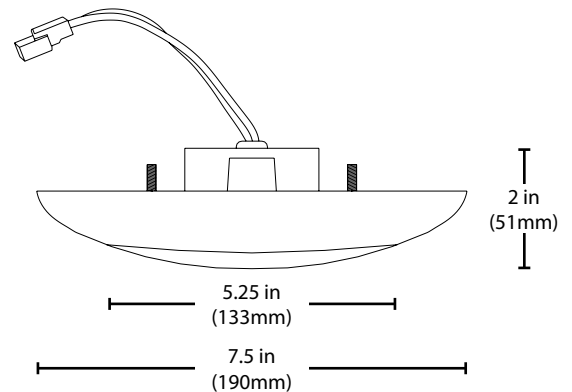
- 5-year limited system warranty standard

Project

Catalog

Type

Date

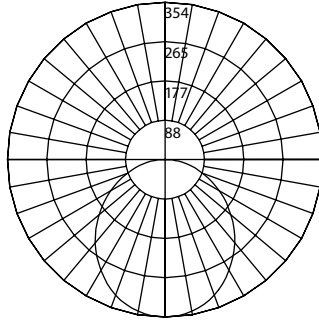


Except 5000K

# Photometric Data

## DLS56 2700K 800Lm

Input Voltage (VAC)	120V
System Level Power (W)	14.2
Delivered Lumens (Lm)	995
System Efficacy (Lm/W)	69.9
Correlated Color Temp (K)	2672
Color Rendering Index (CRI)	94
Beam Angle	104°
Spacing Criteria	1.22



### Intensity Summary (Candle Power)

Angle	Mean CP
0	359
5	312
15	68
25	0
35	0
45	212
55	160
65	109
75	64
85	28
90	6

### CCT Data Multiplier

DLS56-3009-120-3K	1.048
DLS56-3009-120-4K	1.070

### Cone of Light Tabulation

Mounted height (Feet)	Footcandles Beam Center	Diameter (Feet)
4	22.5	4.9
6	9.9	7.3
8	5.7	9.6
10	3.6	12.0
12	2.5	14.5
14	1.8	18.0
16	1.4	20.0

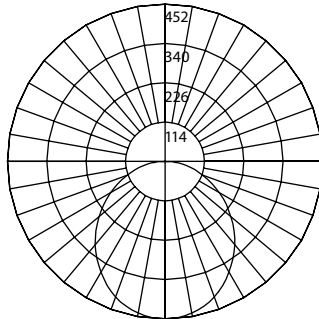
### Zonal Lumen Summary

Zone	Lumens	% of Luminaire
0-30	274	27.6%
0-40	443	44.6%
0-60	766	77.0%
0-90	987	99.3%
90-180	7	0.7%
0-180	995	100.0%

Fixture tested per LM-79-08. Photometric data is of the performance of a representative fixture. Results may vary in the field.

## DLS56 2700K 1200Lm

Input Voltage (VAC)	120V
System Level Power (W)	17.5
Delivered Lumens (Lm)	1223
System Efficacy (Lm/W)	69.7
Correlated Color Temp (K)	2673
Color Rendering Index (CRI)	94
Beam Angle	104°
Spacing Criteria	1.22



### Intensity Summary (Candle Power)

Angle	Mean CP
0	452
5	449
15	429
25	390
35	335
45	271
55	204
65	140
75	82
85	35
90	8

### CCT Data Multiplier

DLS56-3012-120-3K	1.048
DLS56-3012-120-4K	1.070

### Cone of Light Tabulation

Mounted height (Feet)	Footcandles Beam Center	Diameter (Feet)
4	29.1	4.9
6	13.0	7.3
8	7.3	9.8
10	4.7	12.0
12	3.2	12.7
14	2.3	17.5
16	1.8	20.0

### Zonal Lumen Summary

Zone	Lumens	% of Luminaire
0-30	343	28.0%
0-40	553	45.2%
0-60	944	77.2%
0-90	1208	98.8%
90-180	15	1.2%
0-180	1223	100.0%

Fixture tested per LM-79-08. Photometric data is of the performance of a representative fixture. Results may vary in the field.

### Performance Data

Model Number	Lumens	Watts	Lumens/Watt
DLS56-3009-120-2K	995	14.2	69.9
DLS56-3009-120-3K	1043	14.2	73.2
DLS56-3009-120-4K	1065	14.2	74.8
DLS56-3012-120-2K	1223	17.5	69.7
DLS56-3012-120-3K	1282	17.5	73.1
DLS56-3012-120-4K	1309	17.5	74.6

### Recommended Dimmers\*

Lutron MAESTRO MACL-153M  
Lutron DIVA DVCL-153P  
Lutron Toggler TGCL-153P

\*Not a complete list. Check compatibility before installation.

### Housing Compatibility\*

17014A-LED-ID 6" LED IC AIRTIGHT NEW CONST. HOUSING  
17014AR-LED-ID 6" LED IC AIRTIGHT REMODEL HOUSING  
MOST 5" OR 6" RECESSED HOUSINGS

## Ordering Information

Example: DLS56-3009-120-3K-WH

Series	Version	Voltage	CCT's	Trim Color
DLS56	3009 (900Lm)	120 (120V)	2K (2700 K)	WH (White)
	3012 (1200Lm)		3K (3000 K)	
			4K (4000 K)	

Specifications and dimensions subject to change without notice

### Accessories

accessories sold separately

GU24 Socket String

GU24-IDEAL-SKT-STR