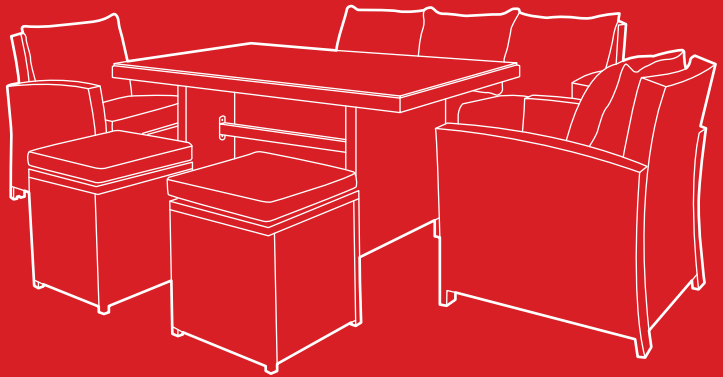




bestchoiceproducts



INSTRUCTION MANUAL

7-Seater Wicker Dining Set



bestchoiceproducts

As shoppers, we're always trying to find the perfect balance between quality & value. At BCP, we believe we've achieved that. Our diverse catalog of everyday essentials is tailored especially to our customers & guaranteed to hit that sweet spot of high quality & low price.

— Always. —



Cushions are not
waterproof; they
are water resistant
and can only
withstand light rain.

Do not leave
cushions out in
inclement weather.

bestchoiceproducts.com

! NOTICE

Please retain these instructions for future reference.

- Please do not exceed the weight limitations of this item.
- Do not stand on or use any part of this item as a step ladder.
- Firmly secure all bolts, screws and knobs before use.
- Reconfirm that all bolts, screws, and knobs are secure every 90 days.
- Fasten screws loosely during initial assembly. Do not firmly tighten the screws until the item is completely assembled.
- Do not use or store this item in the proximity of open flame or flammable/combustible chemicals.
- Be aware that some parts are heavy and have sharp edges.
- If any parts are missing, broken, damaged, or worn, stop using this product until repairs are made and/or factory replacement parts are installed.
- Do not use this item in a way inconsistent with the manufacturer's instructions as this could void the product warranty.



500 LBS
TABLE
CAPACITY



300 LBS
STOOL
CAPACITY



300 LBS
CHAIR
CAPACITY



750 LBS
SOFA
CAPACITY



2 PERSON
ASSEMBLY



UP TO 90 MIN.
ASSEMBLY

TOOLS REQUIRED



ALLEN WRENCH
(2, PROVIDED)



DRILL
(RECOMMENDED)

HARDWARE

1

M6 x 15mm
SCREW



4 PCS

2

M6 x 30mm
SCREW



50 PCS

3

M6 X 35mm
SCREW



17 PCS

4

M6 X 80mm
SCREW



6 PCS

5

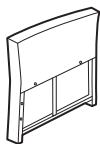
M6 WASHER



77 PCS

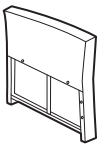
PARTS

A RIGHT ARM



3 PCS

B LEFT ARM



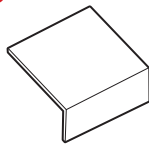
3 PCS

C CHAIR BACKREST



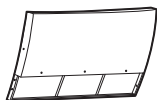
2 PCS

D CHAIR SEAT



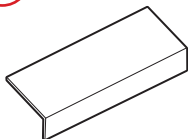
2 PCS

E SOFA BACKREST



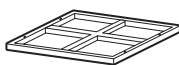
1 PC

F SOFA SEAT



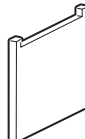
1 PC

G STOOL SEAT



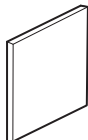
2 PCS

H STOOL LEG



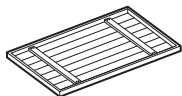
4 PCS

I STOOL SIDE



4 PCS

J TABLETOP



1 PC

K TABLE LEG



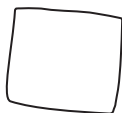
2 PCS

L TABLE SUPPORT



1 PC

M BACK CUSHION



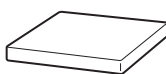
5 PCS

N SEAT CUSHION



2 PCS

O STOOL CUSHION



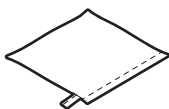
2 PCS

P LONG CUSHION



1 PC

Q COVER

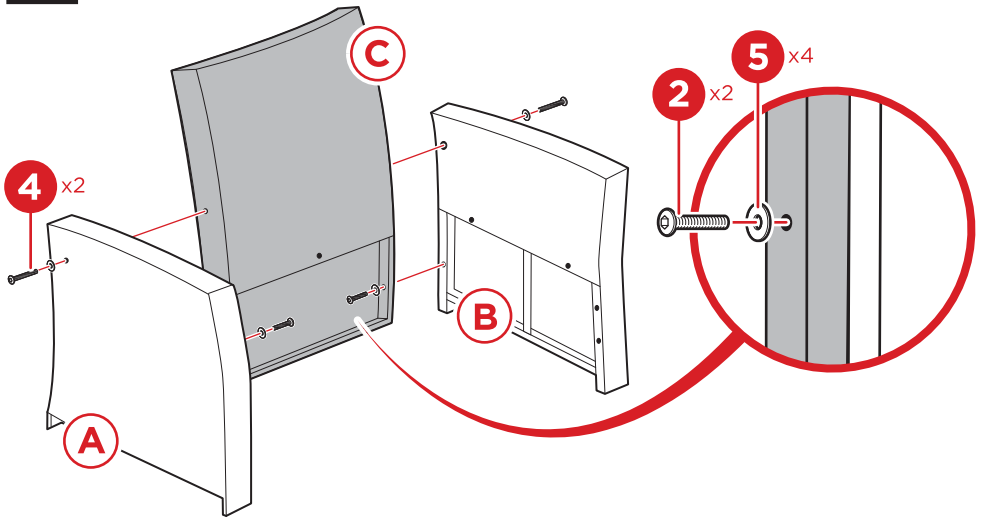


1 PC

PRODUCT ASSEMBLY - CHAIR

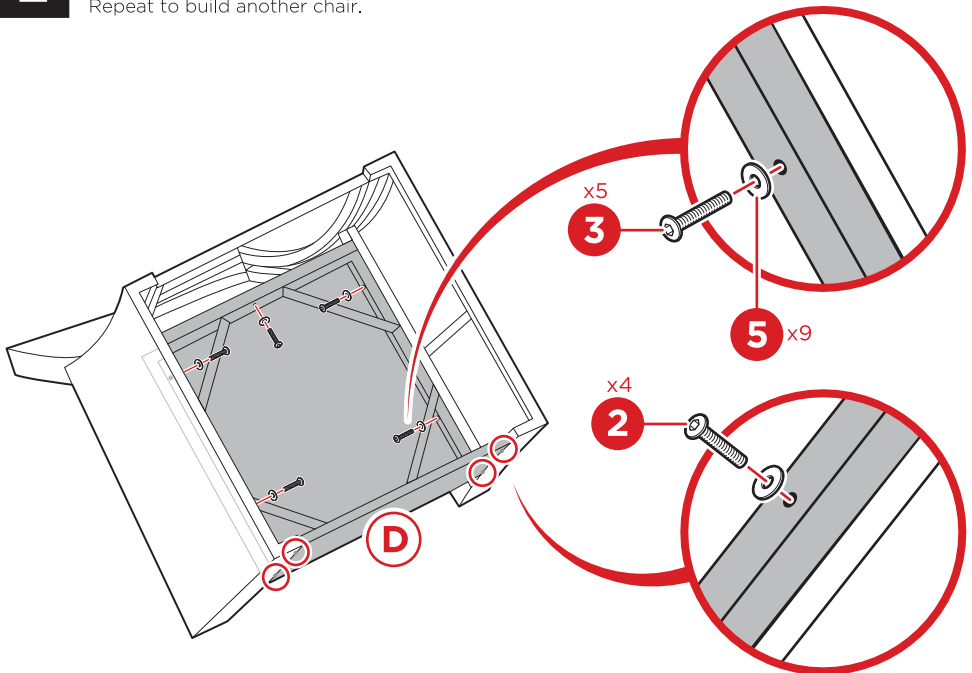
1

Attach part A and B arms to part C chair backrest with two part 2 screws, two part 4 screws, and four part 5 washers.



2

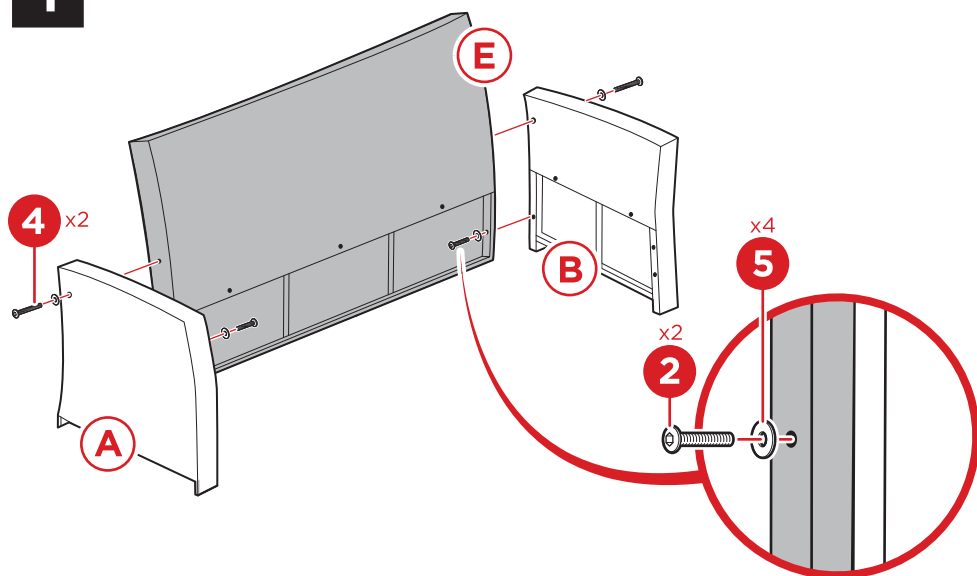
Attach part D chair seat with four part 2 screws, five part 3 screws, and nine part 5 washers. Repeat to build another chair.



PRODUCT ASSEMBLY - SOFA

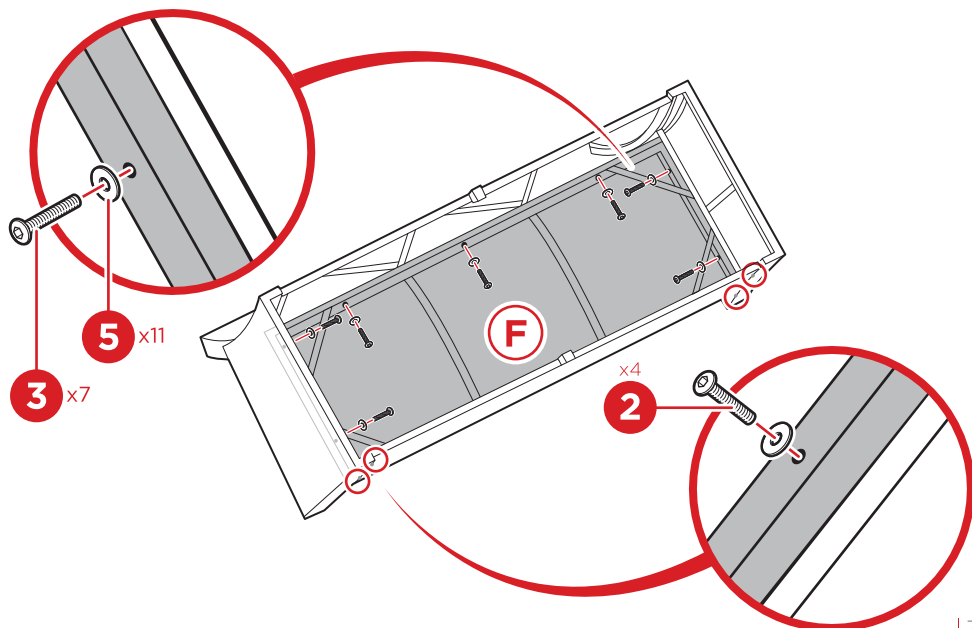
1

Attach part A and B arms to part E sofa backrest with two part 2 screws, two part 4 screws, and four part 5 washers.



2

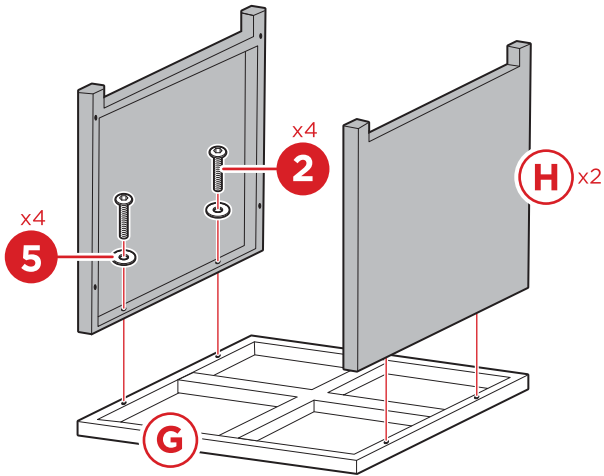
Attach part F sofa seat with four part 2 screws, seven part 3 screws, and eleven part 5 washers.



PRODUCT ASSEMBLY - STOOL

1

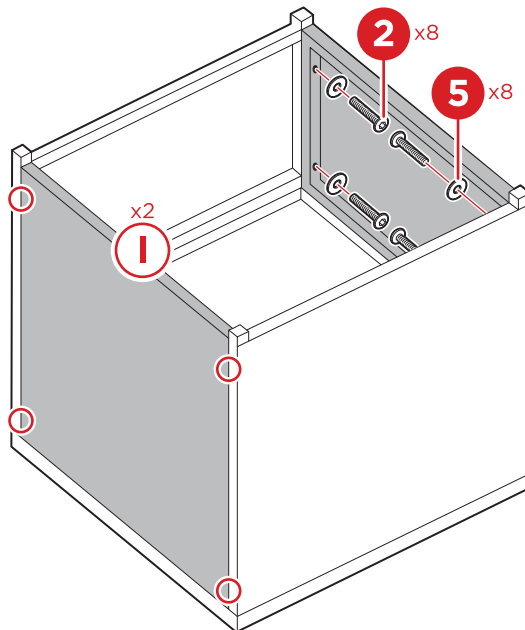
Attach two part H stool legs to the part G stool seat with four part 2 screws and four part 5 washers, two screws/washers per leg.



2

Attach two part I stool sides with eight part 2 screws and eight part 5 washers, four screws/washer per side.

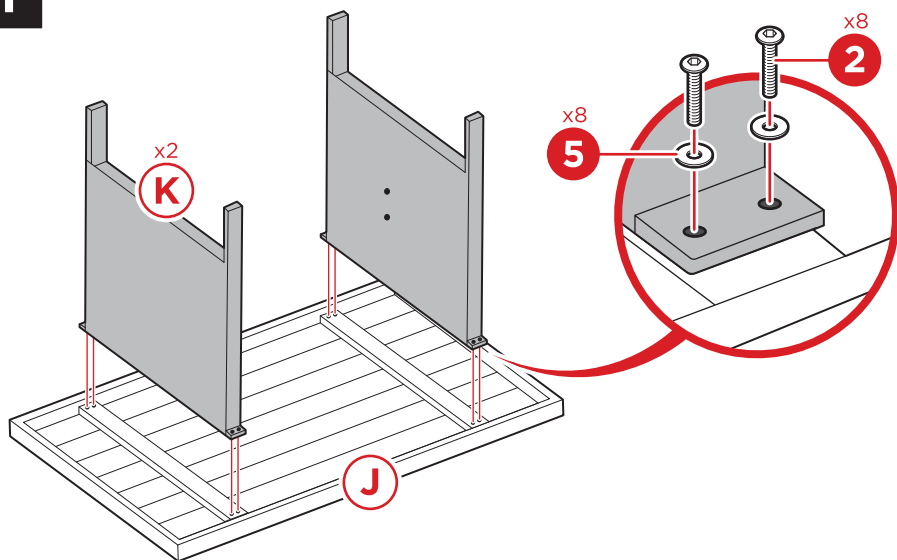
Repeat to build another stool.



PRODUCT ASSEMBLY - TABLE

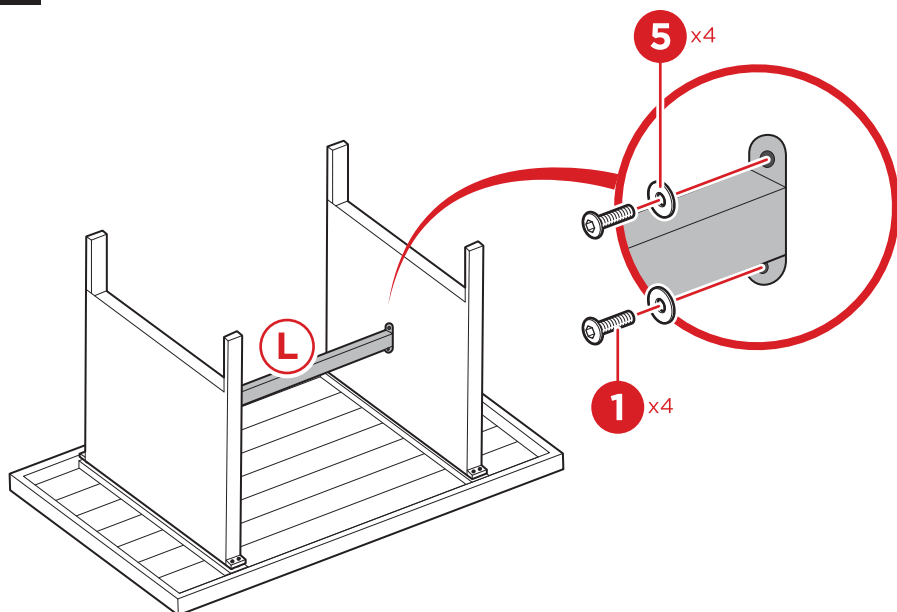
1

Attach two part K table legs to the part J tabletop with eight part 2 screws and eight part 5 washers.



2

Attach the part L table support with four part 1 screws and four part 5 washers.

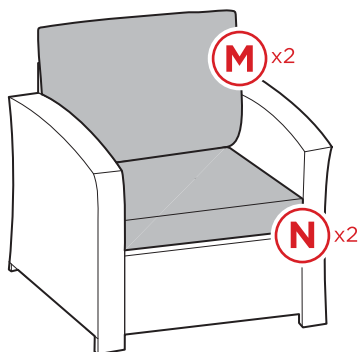


PRODUCT ASSEMBLY - CUSHIONS

NOTE: Cushions are not waterproof; they are water resistant and can only withstand light rain. Do not leave cushions out in inclement weather.

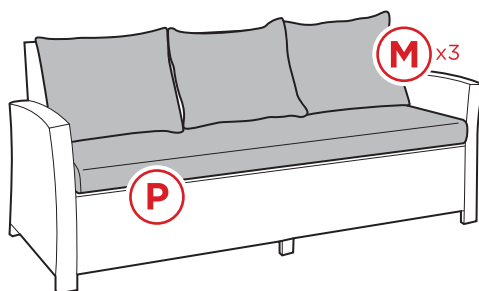
1

Place two part M back cushions and two part N seat cushions on the chairs.



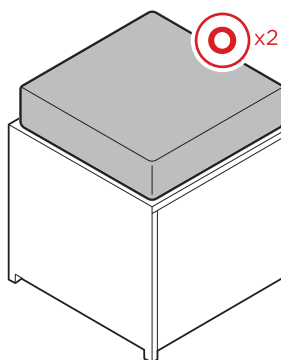
2

Place three part M back cushions and a part P long cushion on the sofa.



3

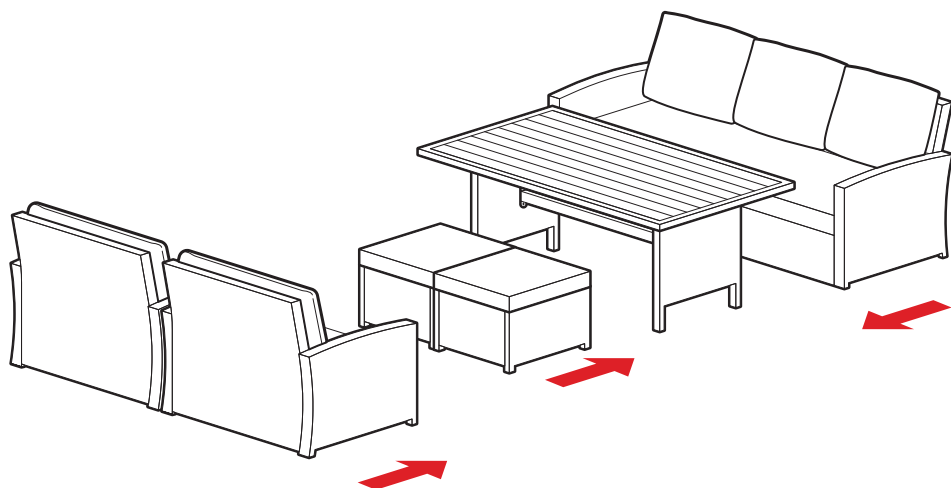
Place two part O stool cushions on the stools.



USING COVER

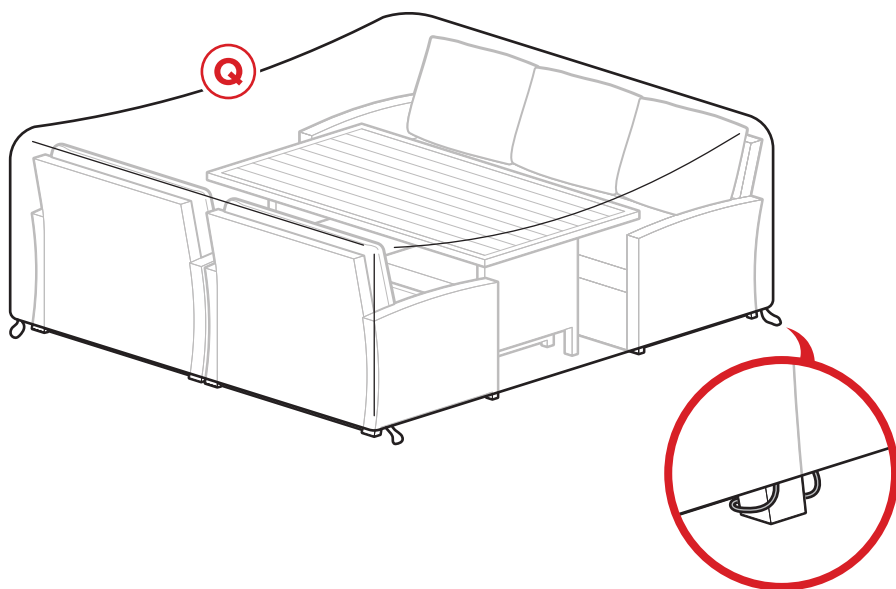
1

Store stools under the table. Push chairs and sofa as close as possible to the table.



2

Cover the wicker set. Secure cover to the feet with attached elastic bands.





HELP CENTER



Question about your product? We're here to help. Visit us at:

help.bestchoiceproducts.com



Chat Support



Product Inquiry



Orders FAQ



Product Assembly



Returns & Refunds

PRODUCT WARRANTY INFORMATION

All items can be returned for any reason within 60 days of the receipt and will receive a full refund as long as the item is returned in its original product packaging and all accessories from its original shipment are included. All returned items will receive a full refund back to the original payment method. All returned items will not be charged a re-stocking fee.

All returned items require an RA (Return Authorization) number, which can only be provided by a Best Choice Products Customer Service Representative when the return request is submitted. Items received without an RA may not be accepted or may increase your return processing time. Once an item has been received by Best Choice Products, refunds or replacements will be processed within 5 business days.

All returns must be shipped back to the Best Choice Products Return Center at the customer's expense. If the reason for return is a result of an error by Best Choice Products then Best Choice Products will provide a pre-paid shipping label via email. Boxes for return shipping will not be provided by Best Choice Products, and is the customer's responsibility to either use the original shipping boxes or purchase new boxes.

Pictures may be required for some returns to ensure an item is not damaged prior to its return. Items returned are not considered undamaged until they are received by Best Choice Products and verified as such. All damages to items are the customer's responsibility until the item has been received by and acknowledge by Best Choice Products as undamaged.



WARNING

Manufacturer and seller expressly disclaim any and all liability for personal injury, property damage or loss, whether direct, indirect, or incidental, resulting from the incorrect attachment, improper use, inadequate maintenance, unapproved modification, or neglect of this product.