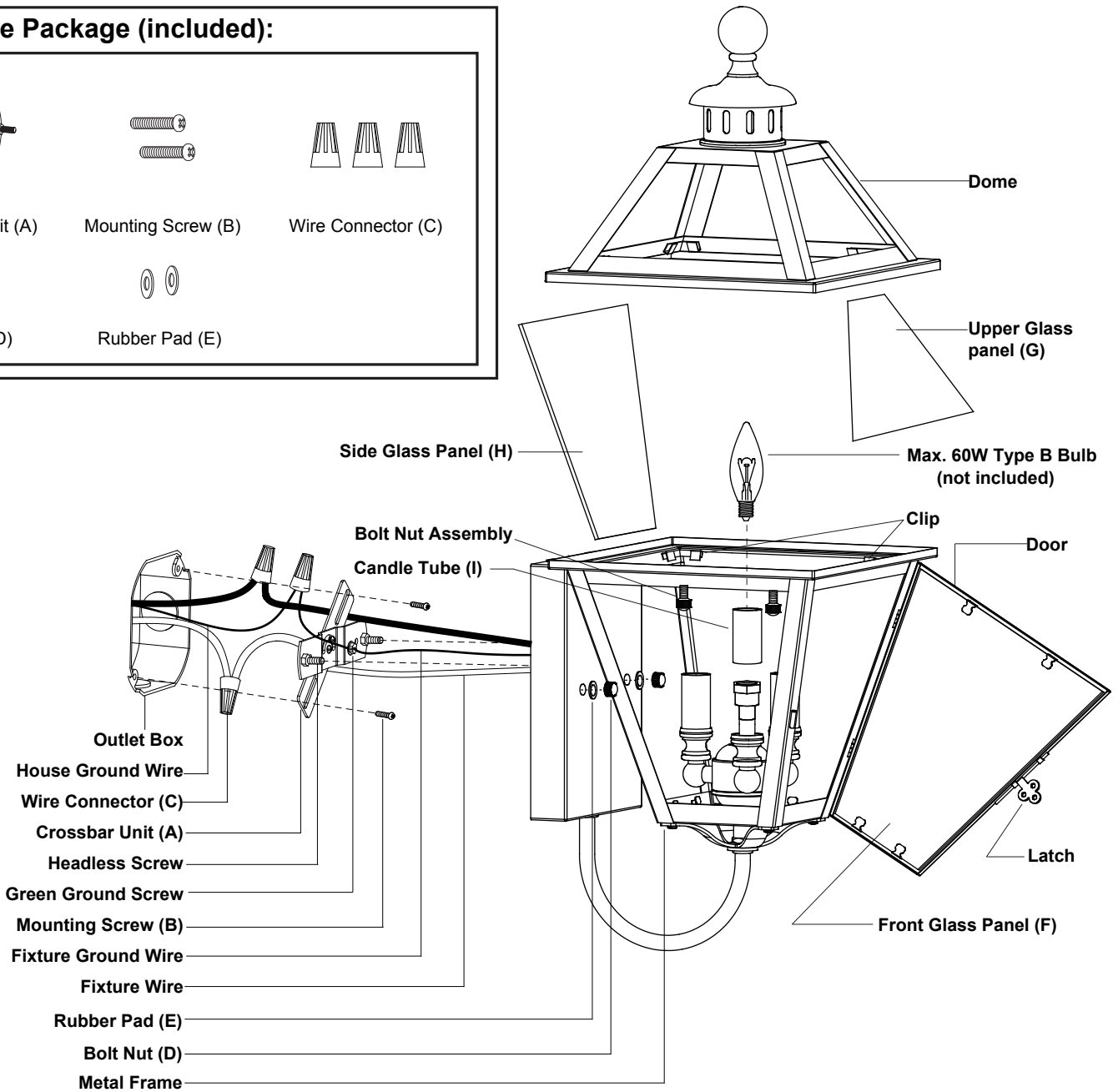
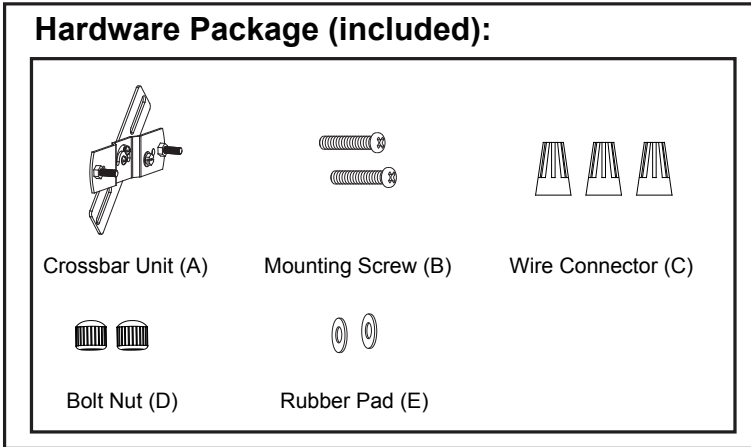


ASSEMBLY AND INSTALLATION INSTRUCTIONS

T0079

WARNING: Turn off the main power at circuit breaker before installing fixture.
AVERTISSEMENT: Coupez la source d'alimentation principale au panneau central de disjoncteurs avant d'installer le luminaire.

NOTE: 1. Before installing, consult local electrical codes for wiring and grounding requirements.
2. Read and save these instructions.

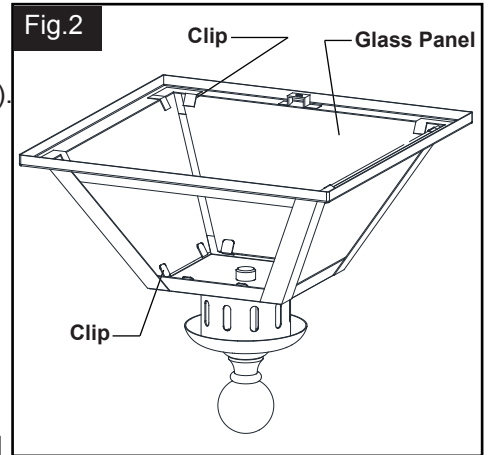
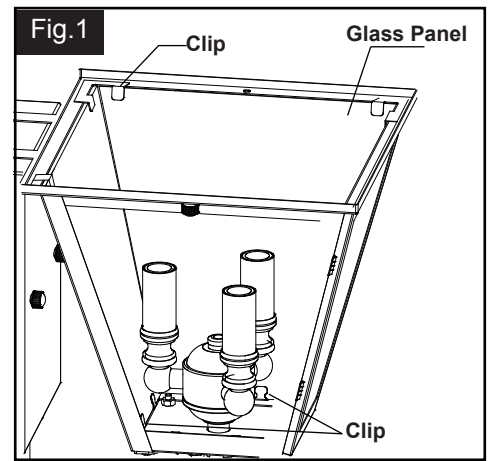


Installation Steps

Turn off the power at fuse or circuit box

1. Take a side glass panel (H) and gently place the side glass panel into the metal frame in place, then pressing the clips of the metal frame to secure the side glass panel. (See Fig.1)
2. Repeat this process to complete all glass panel installation of side glass panels (H) and front glass panel (F).
3. Take an upper glass panel (G) and gently place the upper glass panel into the dome, then pressing the clips of the dome to secure the upper glass panel (G). (See Fig. 2) Repeat with other upper glass panels (G).
4. Attach the dome to the metal frames, then secure it with the bolt nut assemblies.
5. Attach the crossbar unit (A) to the outlet box by using two mounting screws (B). Adjust the length of the preinstalled headless screws if necessary.
Note: Make sure that the headless screws are lined up horizontally to make the fixture level.
6. Pull out the outlet wires and the house ground wire from the outlet box. Make wire connections by using the wire connectors (C):
 - Connect the black (hot) wire from the fixture to the black (hot) wire from the power source.
 - Connect the white (neutral) wire from the fixture to the white (neutral) wire from the power source.
 - Attach the fixture ground wire to the crossbar unit (A) with the green ground screw, then connect it to the house ground wire with a wire connector (C). Carefully put the wires back into the outlet box.
7. Attach the backplate of the fixture to the crossbar unit (A) by inserting fixture mounting screws into set holes on the backplate, then secure it with two rubber pads (E) and two bolt nuts (D).
Note: With silicone caulk compound, caulk completely around where the backplate meets with the wall surface to prevent water from seeping into the outlet box.
8. Open the door of the fixture by pushing up the latch, attach the candle tube (I) onto the socket.
9. Install the bulbs (not included). Check relamping label at socket area or packaging for maximum wattage allowed.
10. Close the door of the fixture by pulling down the latch.

Turn on the power at fuse or circuit box.



The following parts are available for reorder if damaged or missing.

Spare Parts List:

Crossbar Unit (A) Mounting Screw (B) Wire Connector (C) Bolt Nut (D) Rubber Pad (E)

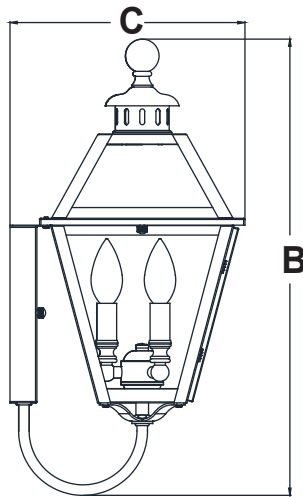
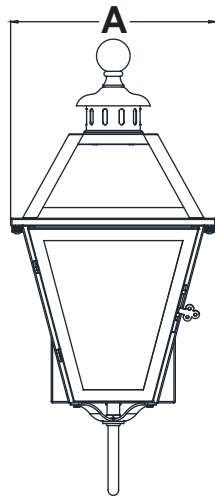
Front Glass panel (F)
9586CE

Upper Glass panel (G)
9568CE

Side Glass Panel (H)
9569CE

Candle Tube (I)
5003DD

Mounting Hardware
4999MM (1SET)



A: 9"
B: 20"
C: 10-1/4"

1 Year Warranty

Vaxcel warrants all of our products against defects in workmanship and finishes for one year following the date of shipment.

Exclusions: This warranty does not include the failure of products from extreme acts of nature; environmental conditions not suited for the products intended use; operation in temperatures outside of the range specified in the instruction manual; usage with improper power supply, power surges or dips. For coastal locations, some corrosion is considered normal for the environment.

Vaxcel reserves the right to repair, replace or issue a credit for any properly installed product, provided it is returned per RMA instruction. This warranty is limited to the cost of the product only and does not extend to transportation, installation or replacement costs.

How can warranty service be obtained?

info@vaxcel.com

1-800-482-9235