

For Residential and Commercial Applications

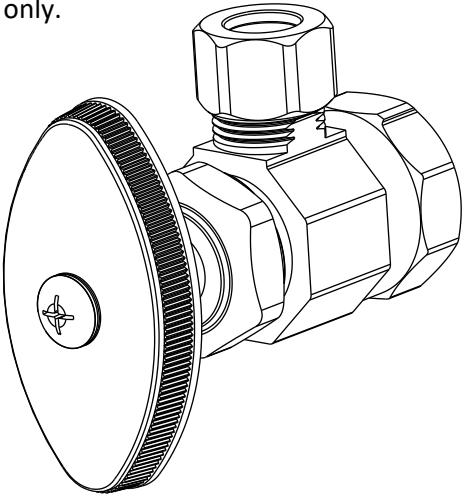
Job Name: _____ Engineer/Architect: _____
 Job Location: _____ Wholesaler: _____
 Submittal Date: _____ Contractor: _____

OR15/OR35/OR07/OR17/OR37 Multi-Turn Angle Stop – Female Iron Pipe x Compression

Use: For use in potable water distribution systems in accessible locations only.

Design Features:

- **Machined one-piece brass body** provides strength, durability, and long-lasting performance.
- **Knurled oval handle** provides a secure grip and smooth on/off operation.
- **Easy-to-remove handle** with screw attachment helps protect against accidental stop operation during rough-ins.
- **No-lead brass material** meets compliance for safe drinking.



Operating Specifications:

Temperature: 40° - 160°F
Pressure: 125 PSI maximum

STOP MATERIAL SPECIFICATIONS	
Body	<i>Brass, plated</i>
Stem	<i>POM or Brass, plated</i>
Bib & Packing Washers	<i>Rubber</i>
Packing Nut	<i>Brass, plated</i>
Handle	<i>Zinc, die cast plated; ABS, plated; or polycarbonate</i>
Handle Screw	<i>Steel, zinc plated</i>
Compression Sleeve	<i>Brass</i>
Compression Nut	<i>Brass, plated</i>
Optional Loose Key	
Loose Key Stem	<i>Brass</i>
Lock Shield	<i>Brass, plated</i>
Loose Key	<i>Zinc die cast</i>



*Excludes loose key handle

This specification and all information contained herein is the confidential and exclusive property of BrassCraft Manufacturing Company and shall not be disclosed to others without the written consent of BrassCraft. This specification must be returned to BrassCraft if requested.



OR15/OR35/OR07/OR17/ OR37 Multi-Turn Angle Stop – Female Iron Pipe x Compression

Part Listing:

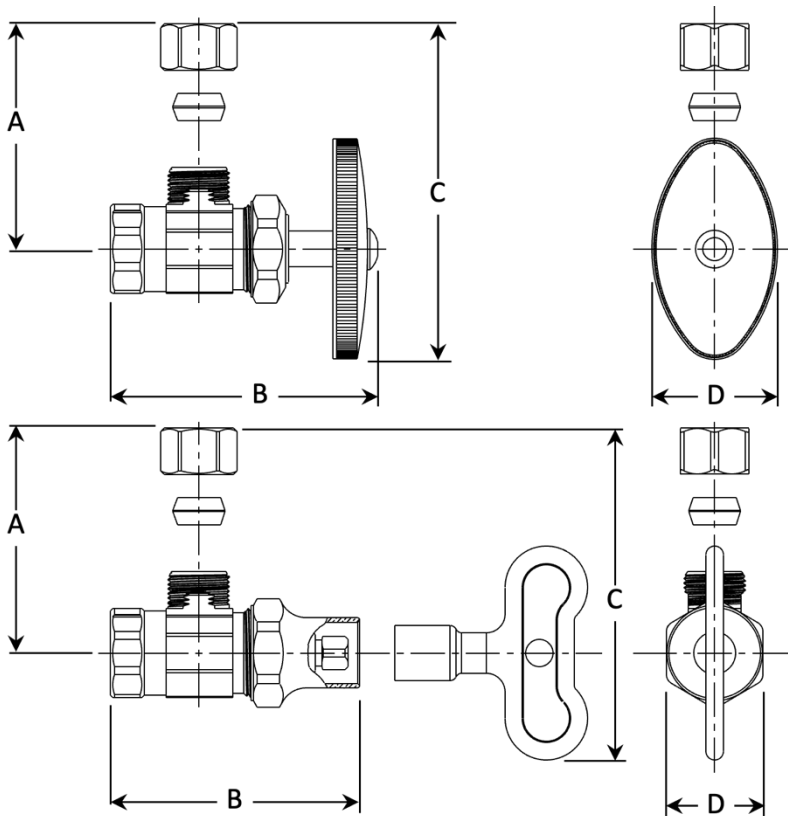
<input type="checkbox"/>	OR15X C	3/8" FIP x 3/8" OD Compression, Chrome Plated
<input type="checkbox"/>	OR15X C1	3/8" FIP x 3/8" OD Compression, Chrome Plated, Window Tray
<input type="checkbox"/>	OR15X R	3/8" FIP x 3/8" OD Compression, Rough Brass
<input type="checkbox"/>	OR15ZX C	3/8" FIP x 3/8" OD Compression, Brass Stem, Chrome Plated
<input type="checkbox"/>	OR07X C	1/2" FIP x 1/4" OD Compression, Chrome Plated
<input type="checkbox"/>	OR07X C1	1/2" FIP x 1/4" OD Compression, Chrome Plated, Window Tray
<input type="checkbox"/>	OR07X R	1/2" FIP x 1/4" OD Compression, Rough Brass
<input type="checkbox"/>	OR17X C	1/2" FIP x 3/8" OD Compression, Chrome Plated
<input type="checkbox"/>	OR17X C1	1/2" FIP x 3/8" OD Compression, Chrome Plated, Window Tray
<input type="checkbox"/>	OR17X R	1/2" FIP x 3/8" OD Compression, Rough Brass
<input type="checkbox"/>	OR17ZX C	1/2" FIP x 3/8" OD Compression, Brass Stem, Chrome Plated
<input type="checkbox"/>	OR17ZX C1	1/2" FIP x 3/8" OD Compression, Brass Stem, Chrome Plated, Window Tray
<input type="checkbox"/>	OR35X C	3/8" FIP x 1/2" OD Compression, Chrome Plated
<input type="checkbox"/>	OR37X C	1/2" FIP x 1/2" OD Compression, Chrome Plated
<input type="checkbox"/>	OR37X C1	1/2" FIP x 1/2" OD Compression, Chrome Plated, Window Tray
<input type="checkbox"/>	OR37ZX C	1/2" FIP x 1/2" OD Compression, Brass Stem, Chrome Plated
<input type="checkbox"/>	SR15X C	3/8" FIP x 3/8" OD Compression, Loose Key, Chrome Plated
<input type="checkbox"/>	SR17X C1	1/2" FIP x 3/8" OD Compression, Loose Key, Chrome Plated, Window Tray

This specification and all information contained herein is the confidential and exclusive property of BrassCraft Manufacturing Company and shall not be disclosed to others without the written consent of BrassCraft. This specification must be returned to BrassCraft if requested.

**Products shown may differ from those available in the Canadian market.*

OR15/OR35/OR07/OR17/OR37 Multi-Turn Angle Stop – Female Iron Pipe x Compression

PART DIMENSIONS (Inches)				
Model	DIM. A	DIM. B	DIM. C	DIM. D
OR15X / OR15ZX	1.10	2.54	2.10	1.14
OR35X / OR35ZX	1.22	2.64	2.15	1.14
SR15X	1.10	2.26	2.07	.87
OR07X / OR07ZX	1.08	2.68	1.23	1.14
OR17X / OR17ZX	1.15	2.49	2.15	1.14
OR37X / OR37ZX	1.15	2.70	1.23	1.14
SR17X	1.15	2.32	2.03	.91



Listings & Certifications:

- IAPMO listed to ASME A112.18.1 / CSA B125.1 (includes NSF/ANSI 372 and NSF/ANSI/CAN 61)

NSF/ANSI/
CAN61:Q ≤0.5



*Excludes loose key handle

This specification and all information contained herein is the confidential and exclusive property of BrassCraft Manufacturing Company and shall not be disclosed to others without the written consent of BrassCraft. This specification must be returned to BrassCraft if requested.

**Products shown may differ from those available in the Canadian market.*