



Assembly & Installation Instructions

CAUTION: Read instructions carefully and turn electricity off at main circuit breaker panel before beginning installation.

3931

WARNING - If any Special Control Devices are used with this Fixture, Follow the Instructions Carefully to assure full compliance with N.E.C. requirements. If there are any questions, contact a Qualified Electrical Contractor.

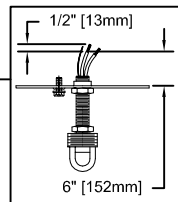
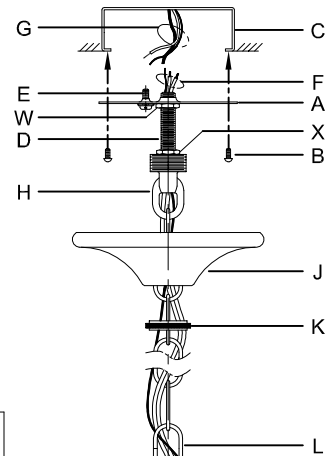
CAUTION - All glass is fragile, use care when handling Glass component(s) and or Lamp(s).

WARNING - This product contains chemicals known to the State of California to cause cancer, birth defects and /or other reproductive harm. Thoroughly wash hands after installing, handling, cleaning, or otherwise touching this product.

ASSEMBLY STEPS:
PASOS PARA ENSAMBLAR:
MODE D'ASSEMBLAGE:

1. D,E → A
2. B,A → C
3. W,X,H → D
4. X → H (To Lock) (APRETAR) (À VERROUILLER)
5. L → M
6. K,J → L
7. L → H
8. F → L,K,J,H,D
9. F → G
10. J,K → H
11. R → Q,P
12. N → R
13. U → S
14. V → T

B, C, G & U
(NOT FURNISHED)
(NO INCLUIDA)
(NON FOURNIE)



ADJUST HEIGHT WITH D
W → A TO LOCK

AJUSTAR LA ALTURA CON D
W → A APRETAR

AJUSTER LA TAILLE AVEC LE D
W → A À VERROUILLER

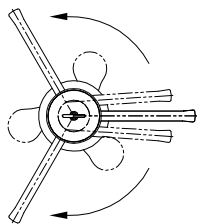
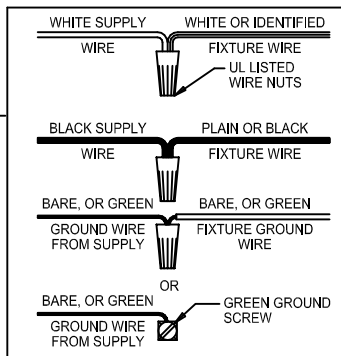
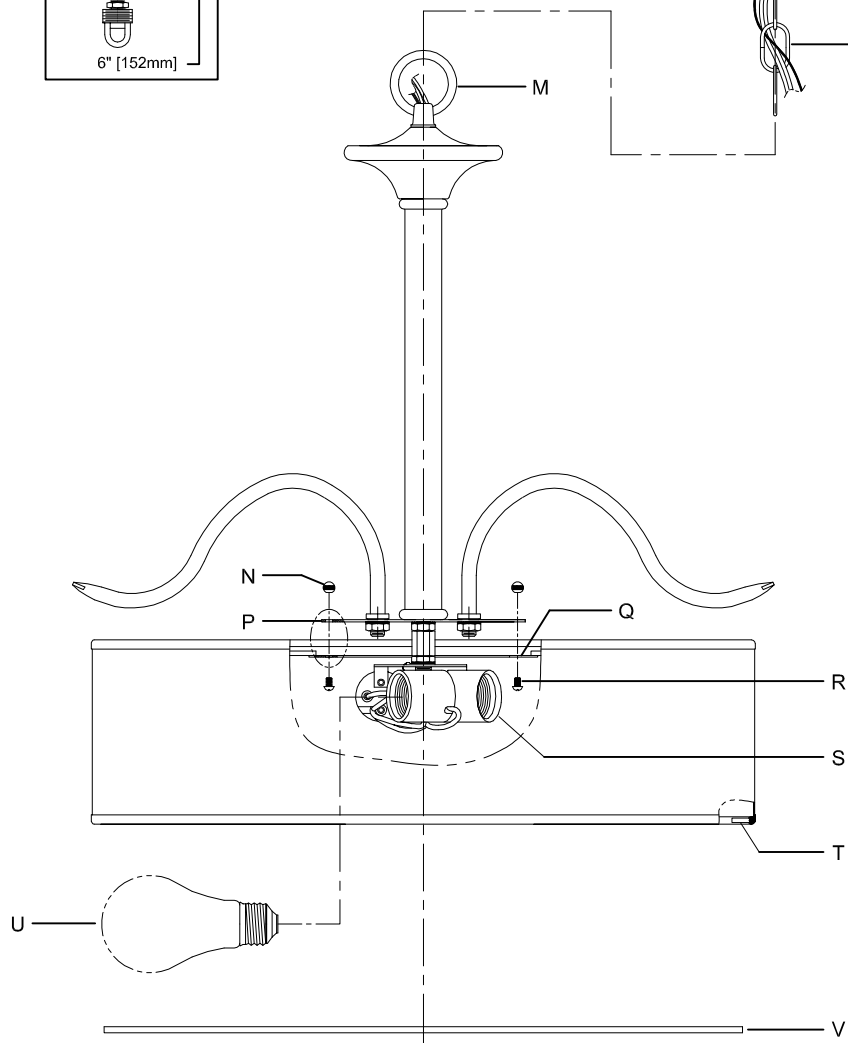


DIAGRAM A
DIAGRAMA A
DIAGRAMME A



- Adjust Arms, if required, as shown in diagram A.
- Ajuste los brazos, como necesario, según el diagrama A.
- Ajustez les branches, comme nécessaire, selon le diagramme A.