



Ensemble™

60" x 32" Vikrell® shower base, left drain
72181110



Features

- 3-1/2" (89 mm) threshold
- Durable high-gloss finish with molded-in textured floor
- Suitable for tile-down applications
- Compatible with Ensemble walls (series 7218)
- 1" (25 mm) weep channels redirect water into the base, providing superior water containment

Material

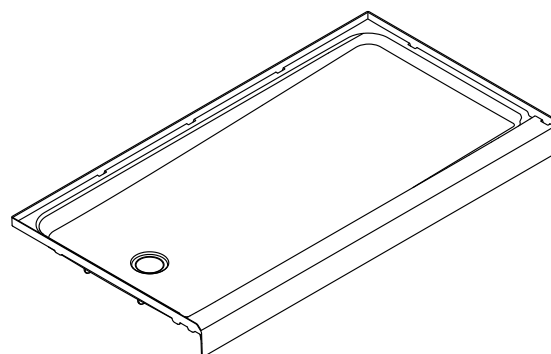
- Made from solid Vikrell® material for strength, durability, and lasting beauty

Installation

- Left drain

Recommended Products/Accessories

- 80001012 12" straight grab bar
- 80001018 18" straight grab bar
- K-23726 Drain treatment



Codes/Standards

CSA B45.5/IAPMO Z124
HUD, UM Bulletin 73
cUL Listed

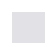
STERLING® Vikrell® or Acrylic Baths and Shower Bases Ten-Year Limited Warranty

See website for detailed warranty information.

Available Colors/Finishes

Color tiles intended for reference only.

Color Code Description

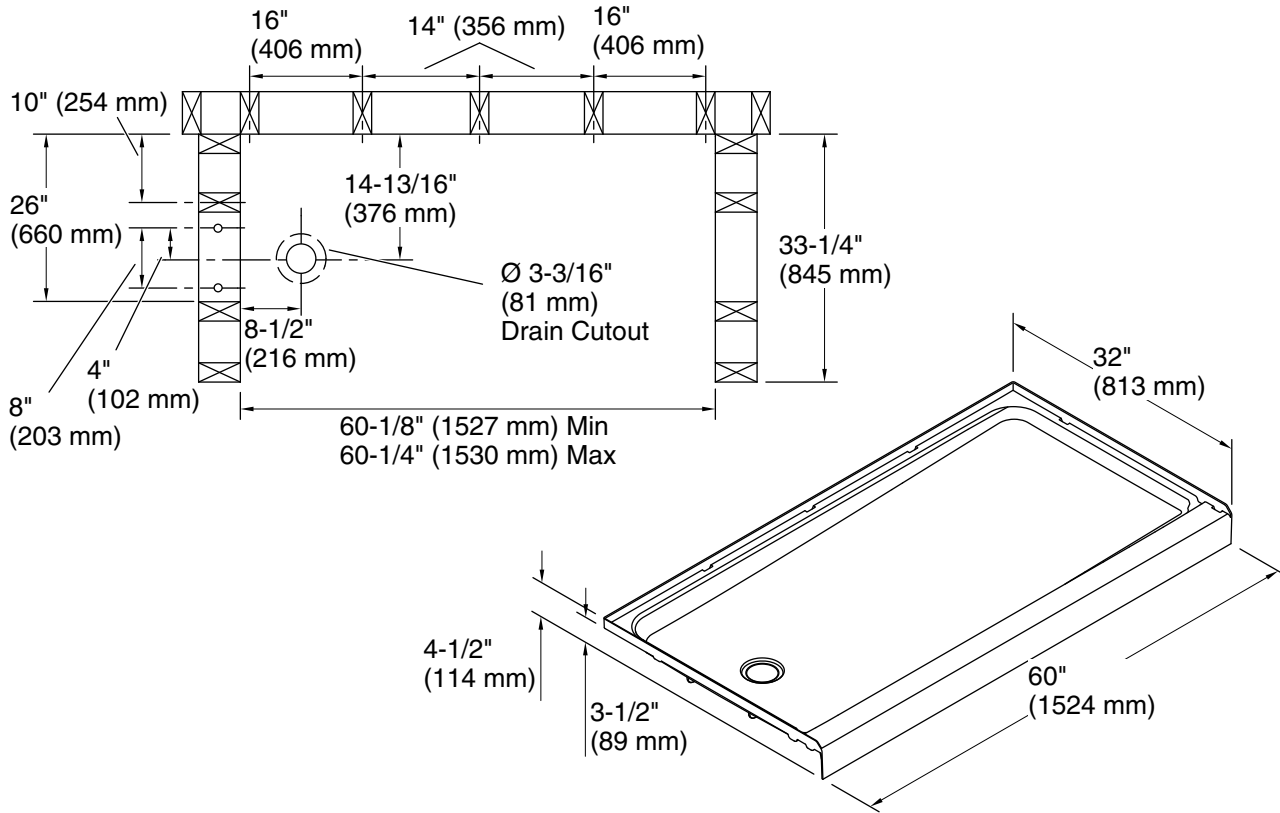
	0	White
---	---	-------

1-800-STERLING (1-800-783-7546)

Kohler Co. reserves the right to make revisions without notice to product specifications.

For the most current Specification Sheet, go to www.sterlingplumbing.com.

3-21-2026 20:06 - US/CA



Technical Information

All product dimensions are nominal.

Drain location: Left
Weight: 35.6 lbs (16.1 kg)
Minimum flat for door: 3" (76 mm)

Notes

Install this product according to the installation instructions.
Studs should be positioned roughly as shown.
Double studding is recommended for pivot shower door installations.