

Elura BR6.5Z.2-BACKCAN and Elura R8Z.2-BACKCAN Assembly Instructions

This Back Can is easily mounted to Elura in-ceiling speakers. By installing the Back Can, you can further control the sound, and limit noise into other rooms. Follow directions below prior to installing into the ceiling.

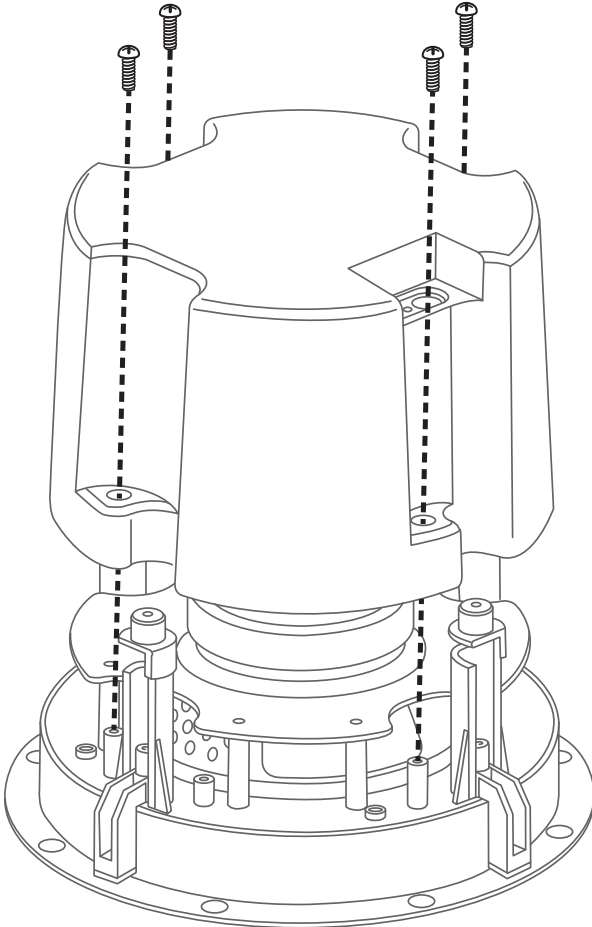


Fig.1

BEFORE YOU START:

Be sure to remove screw pack from inside the Back Can.

1. Connect wire from Back Can to terminals on speaker (positive to red, negative to black).
2. Make sure the sound insulation material is positioned at the bottom of the Back Can.
3. Rotate all the speaker mounting dogs outward to allow the Back Can to mate to the speaker.
4. Insert speaker into Back Can.
5. Using the screws provided in screw pack, affix Back Can to speaker through holes on the underside of the Back Can (See Fig. 1).
6. Refer to the Elura owner's manual to properly install your speakers in the ceiling.

www.elura.audio



BR6.5Z.2-BACKCAN works with B6.5Z,
R6.5Z.2 and R6.5STZ.2

R8Z.2-BACKCAN works with R8Z.2