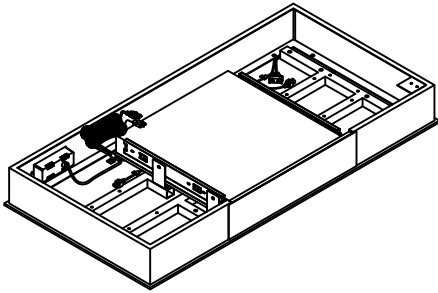


# ASSEMBLY INSTRUCTION

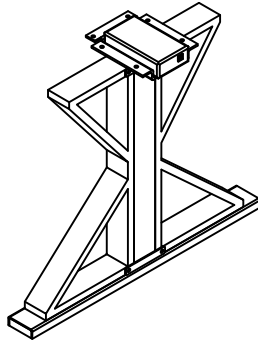
## ELECTRICAL ADJUSTABLE DESK

**A** Desk



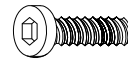
1pc

**B** Metal Leg



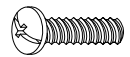
2pcs

**C** Bolt  
1/4"X19MM



12pcs

**D** Bolt  
5/32"X10MM



2pcs

**E** Flat Washer  
Ø16mm

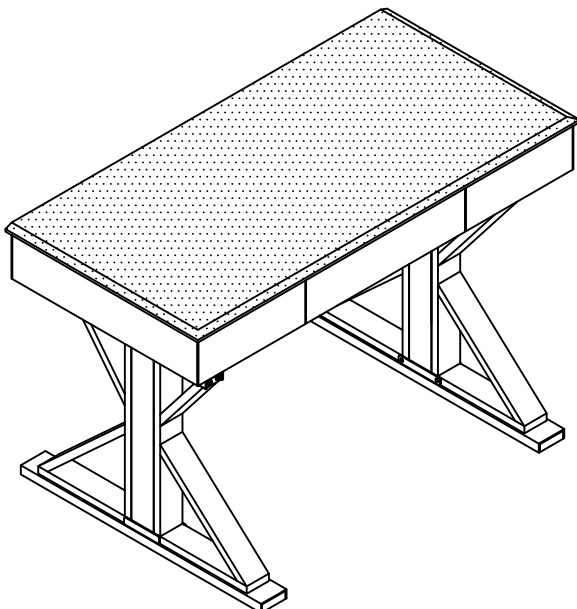


12pcs

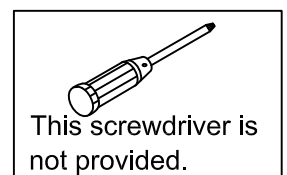
**F** Allen Wrench  
4X4 MM



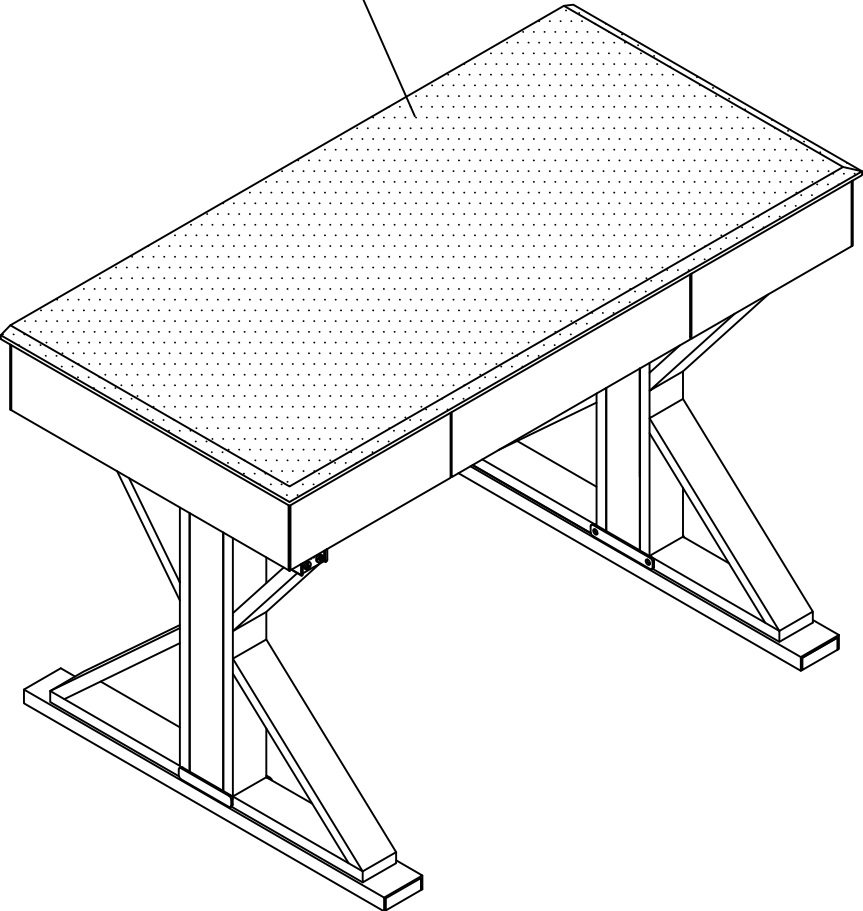
1pc



This page lists all the contents included in the box. Please take the time to identify the hardware as well as the individual components to this product. As you unpack and prepare for assembly, place the contents on a carpeted or padded area to protect them from damage.



Weight capacity 150 LBS




**GL2 Series**  
**Assembly Instruction:**

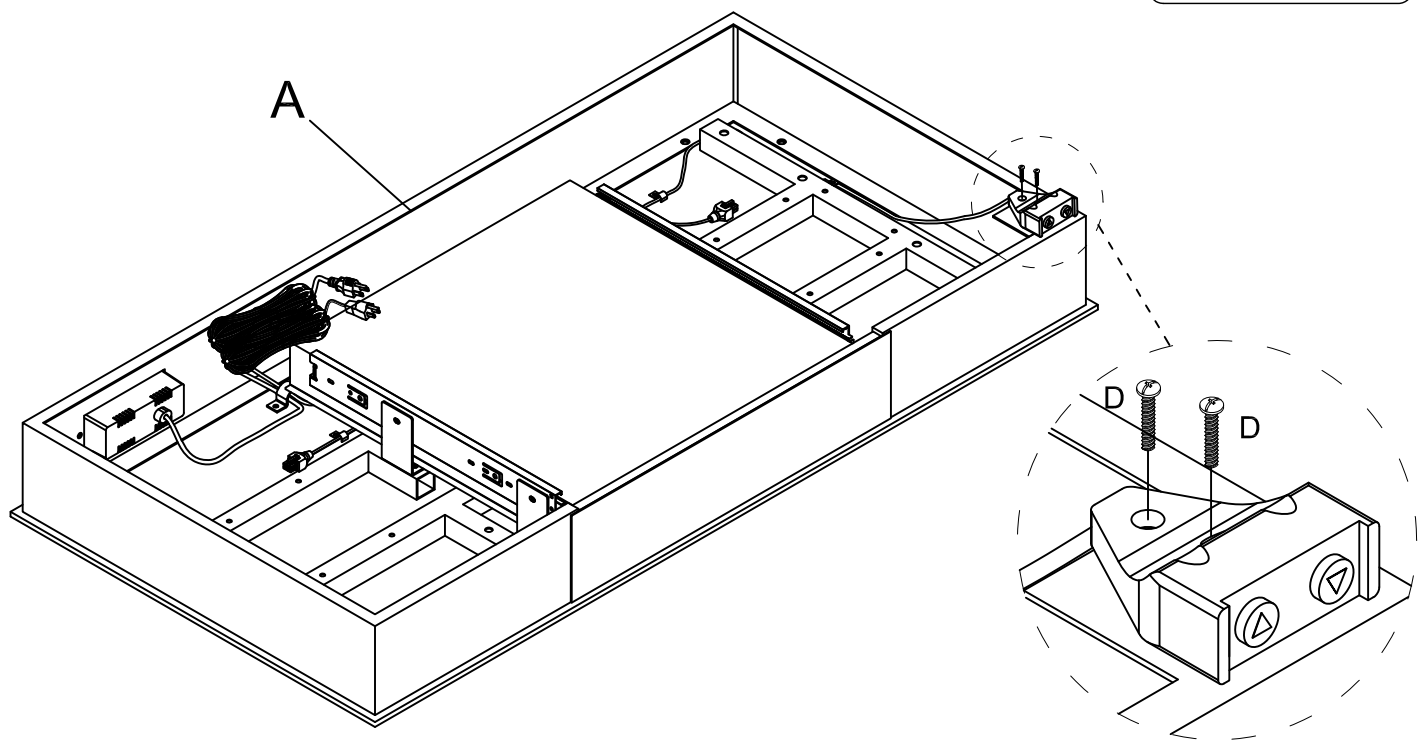


**Warning**




- Please read the Assembly Instructions carefully before starting to assemble.
- Tighten all bolts before use. Ensure cables move smoothly.
- Properly connect the electrical plug to the socket.
- Inappropriate use can cause damage to the products.
- Don't lay beneath the desk, sit or stand on the desk top.

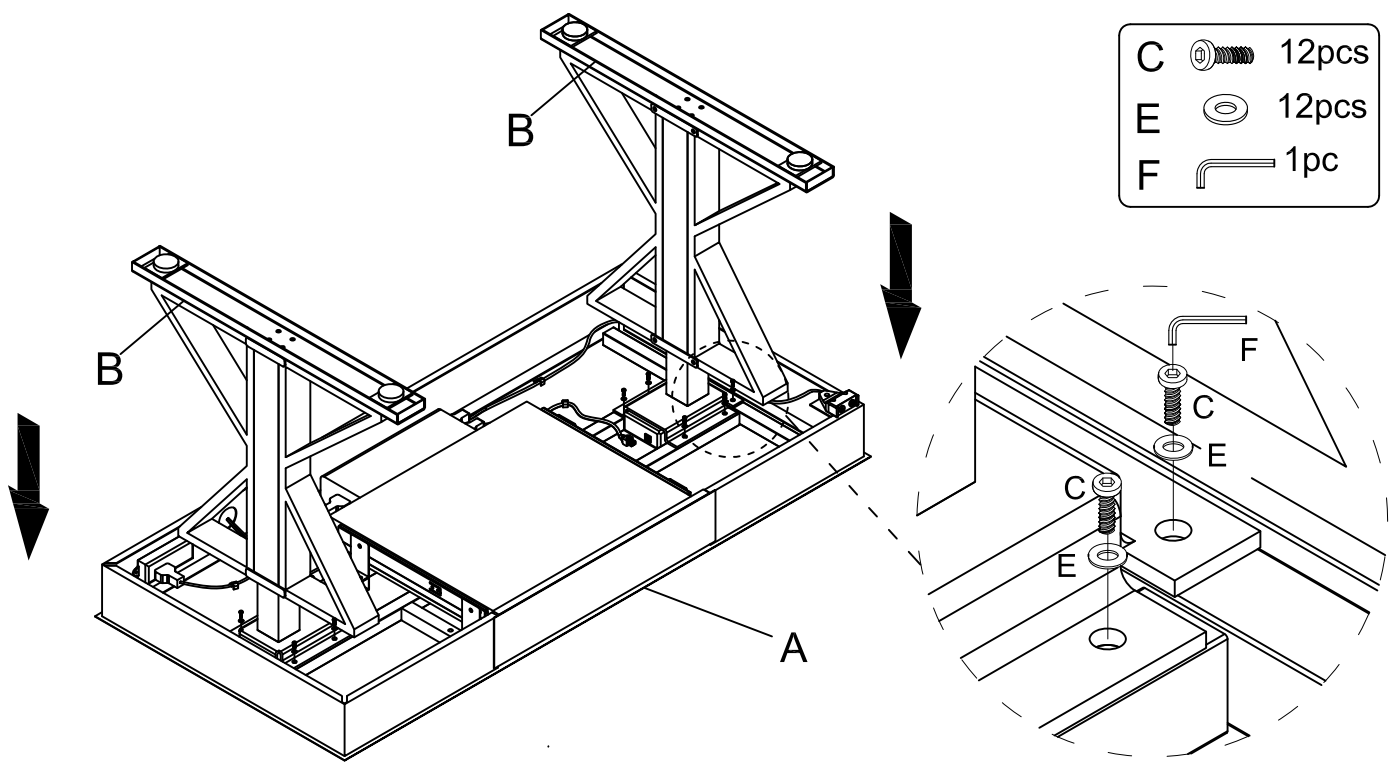
**1** Assemble the button control to the desk (A) with 2pcs bolts (D), then fastened using screwdriver (not provided).

- D  2pcs

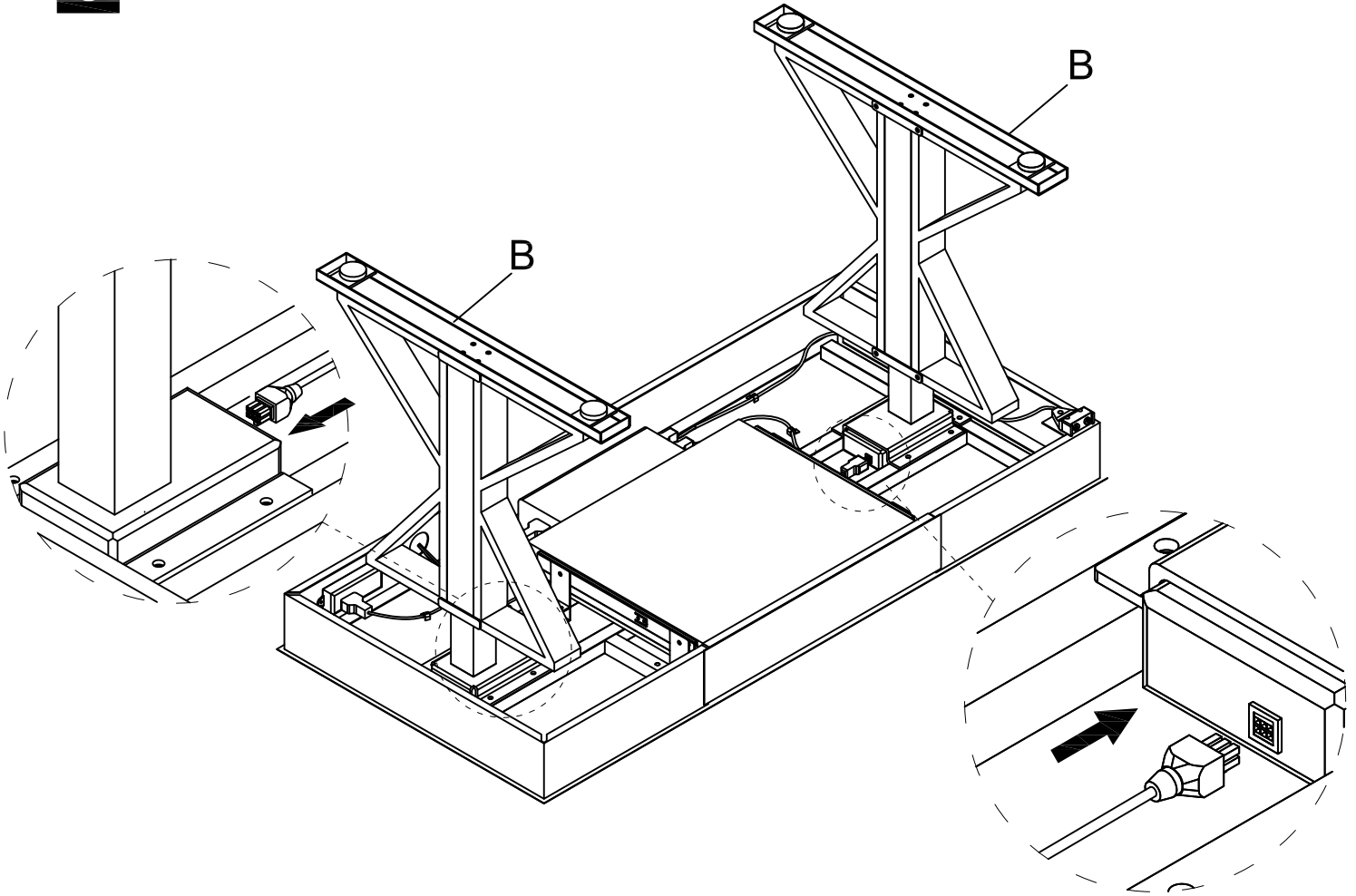


**2** Assemble the metal leg (B) to the desk (A) with 12pcs bolts (C) and 12pcs flat washer (E), then fastened using allen wrench (F).

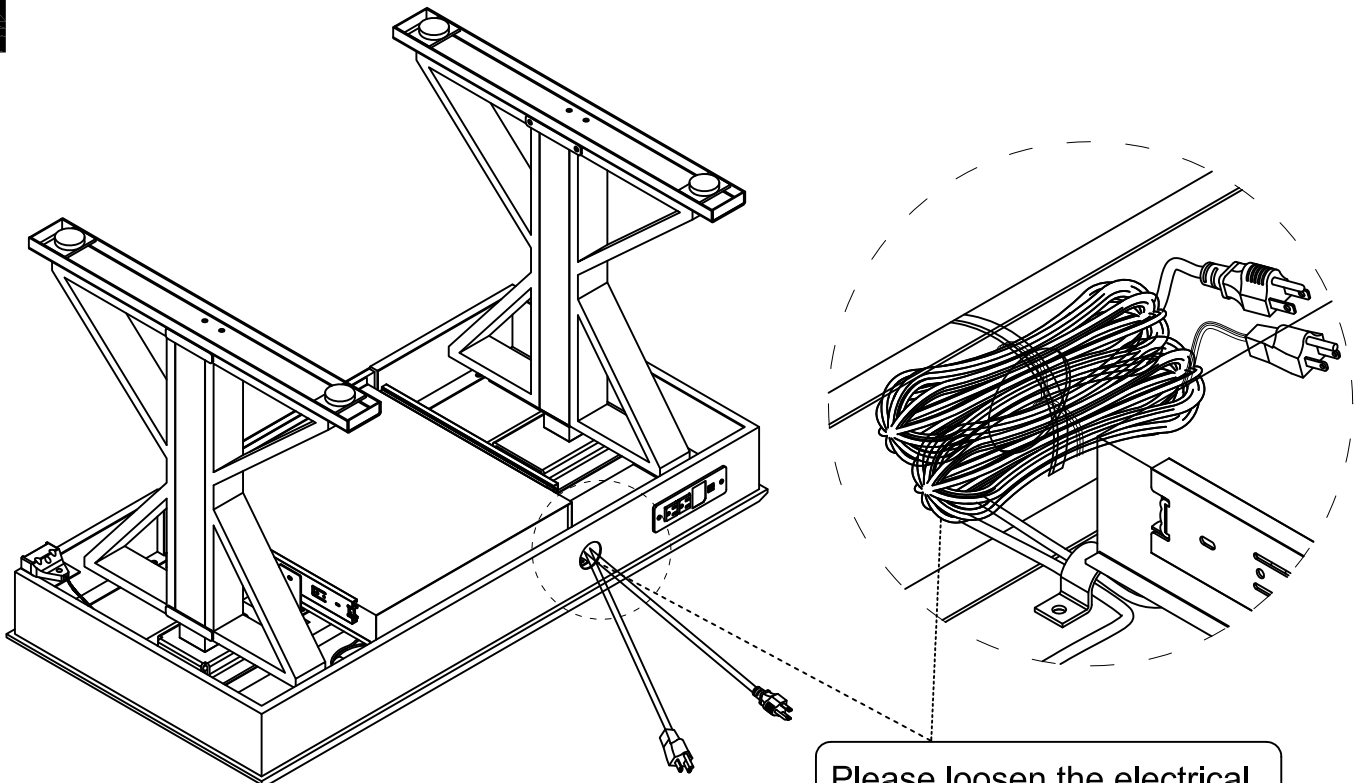
- C  12pcs
- E  12pcs
- F  1pc



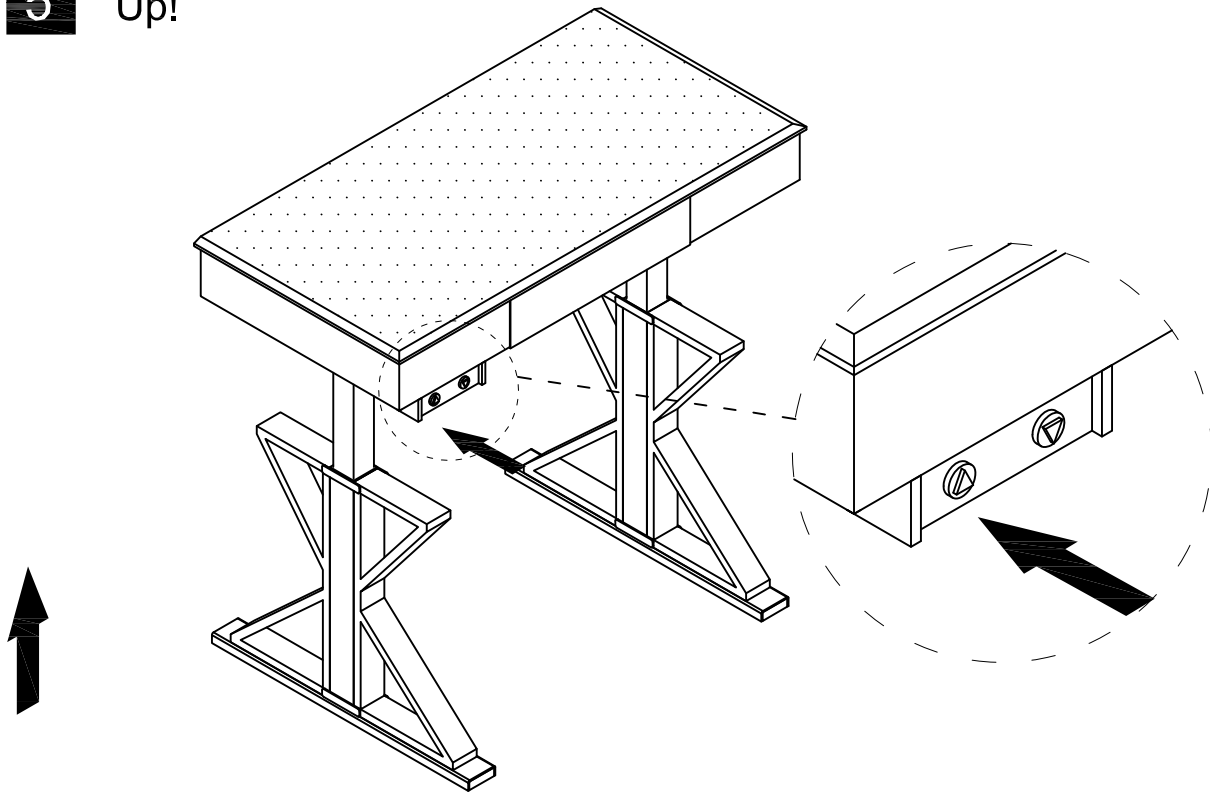
**3** Insert the power supply plug to the metal leg (B).



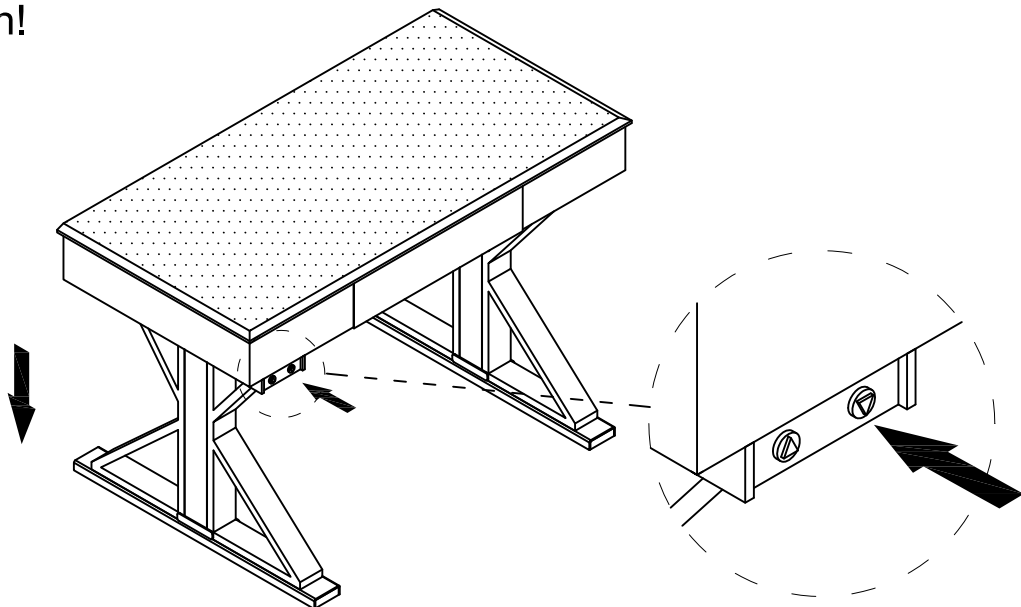
**4**



---

**5** Up!

---

**6** Down!

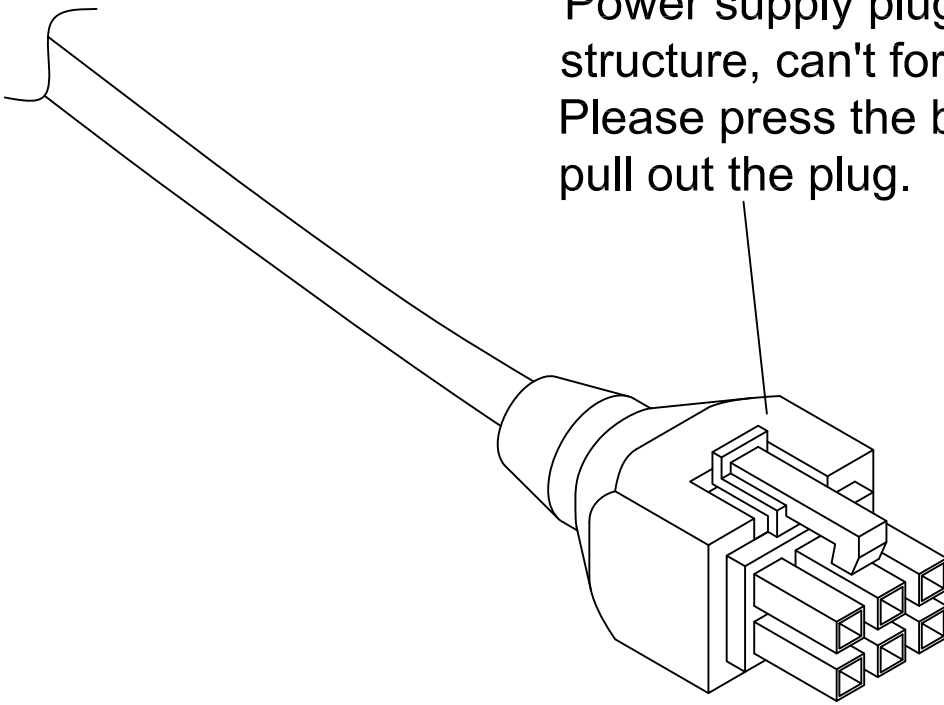
---

**Cleaning & Care**

Treat surface with care. Surface is resistant to scratches but is not scratch resistant. Clean surfaces with a dry or damp soft cloth. Do not use abrasive cleaners. Hardware may loosen over time. Periodically check that all connections are tight.

**NOTE:**

Power supply plug has locking structure, can't forcibly pull out. Please press the button, then pull out the plug.



# GL2 Parameter elucidation

Electrical control system:

■ Input : 100-240V AC 50/60Hz

■ Output : DC 29V

■ Rated working time: S2 /18 2min ON 18min

Technical parameters

■ Drive form : DC Drive.

■ Push force: 850N

■ Stroke : 665mm~1165mm

■ Speed :  $18 \pm 10\%$ mm/s.

## Work environment

★ Temperature : - 25 ~ + 40°.

★ Relative humidity : 20% ~ 80%.

★ Protection grade : IP44.

★ Mode of operation: **Discontinuous working,**  
Work In Intervals of 2 minutes or more.

## Security Warning



**Adult operate only. Children should be carefully supervised by Adult.**