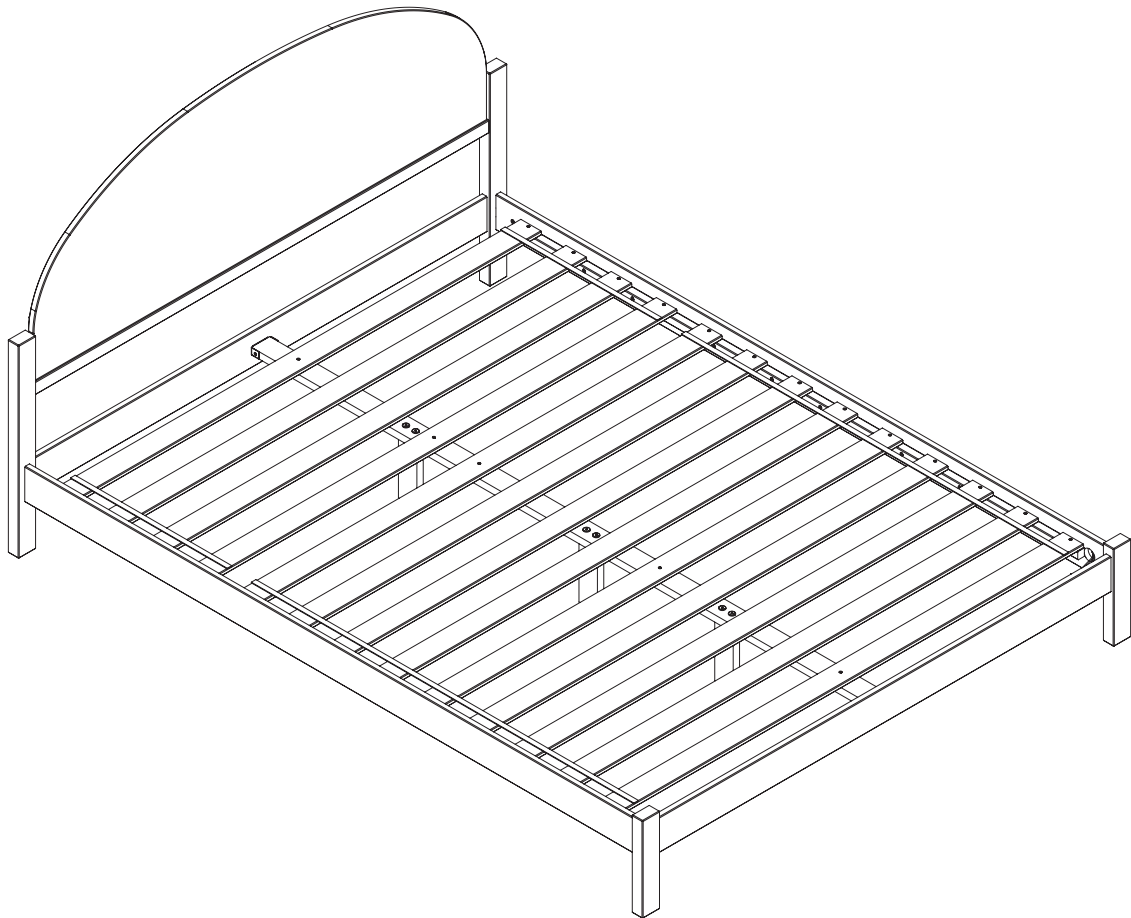


WALKER EDISON

TM

Solid Wood Queen Bed with Arched Headboard

SKU# ELIB5C



For Residential Use Only

Please visit our website for the most current instructions, assembly tips, report damage, or request parts. www.walker-edison.com

WE Time to get started

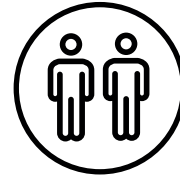
Set up a clean and soft workplace to get started and avoid damage during the assembly. It also helps to double-check you've got all the pieces and parts before diving in to assembly.

Estimated time for assembly



People recommended for assembly

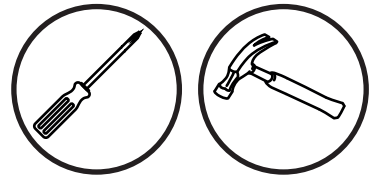
Make it a team effort! Grab a friend for quicker, easier assembly.



2 People Build

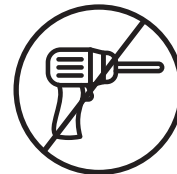
Tools Needed

Grab a Phillips head screwdriver to conquer this assembly. We will also need a hammer to help.



Use power tools with caution

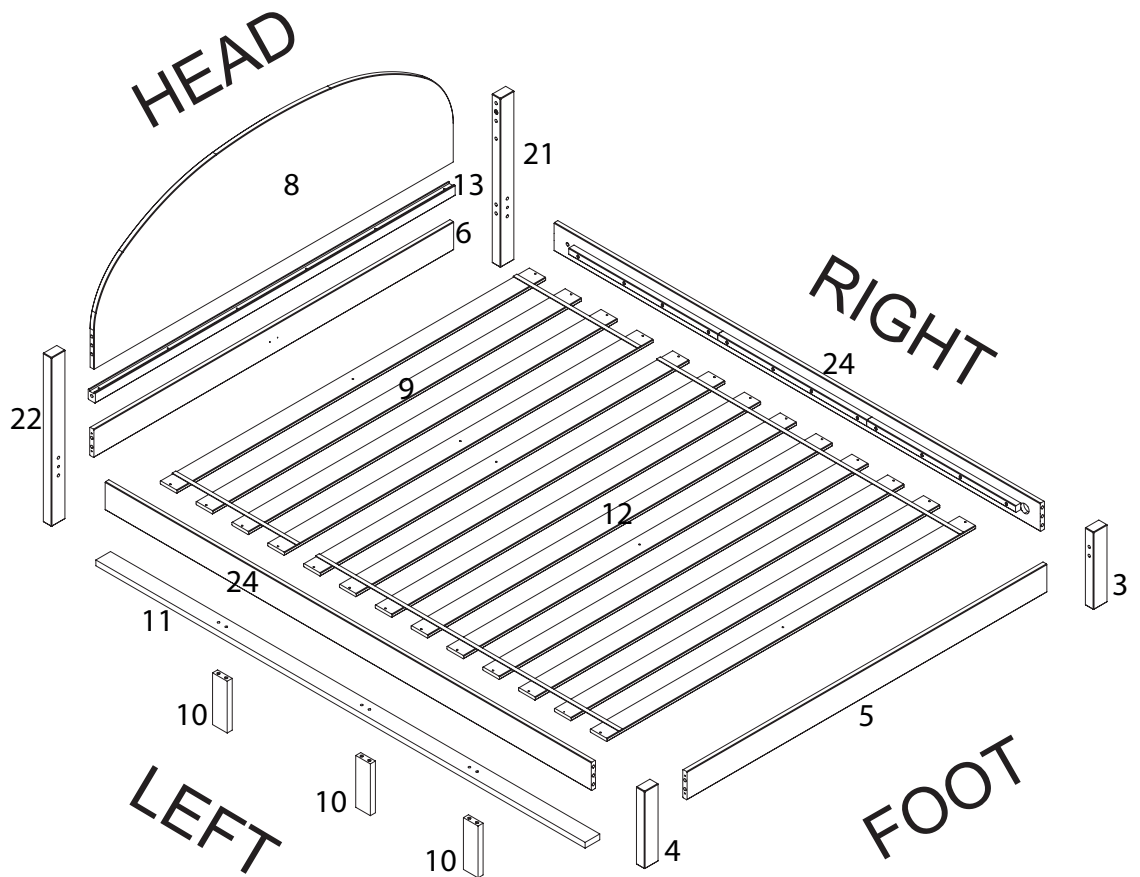
You can cause cracking or damage to the material and easily strip the hardware. If you choose to use a power tool, your product will no longer be covered under Walker Edison's warranty.



Scan to get assembly tips and help!





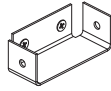


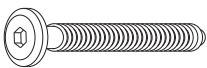
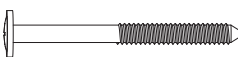

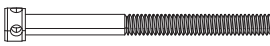

WE Parts List

Part Number	Description	Quantity
3	Footboard Left Leg	1
4	Footboard Right Leg	1
5	Footboard Rail	1
6	Headboard Rail	1
8	Headboard Panel	1
9	Slats	1
10	Center Foot	3
11	Center Slat	1
12	Slats	1
13	Headboard Panel Rail	1
21	Headboard Right Leg	1
22	Headboard Left Leg	1
24	Bed Side Rail	2





Hardware List

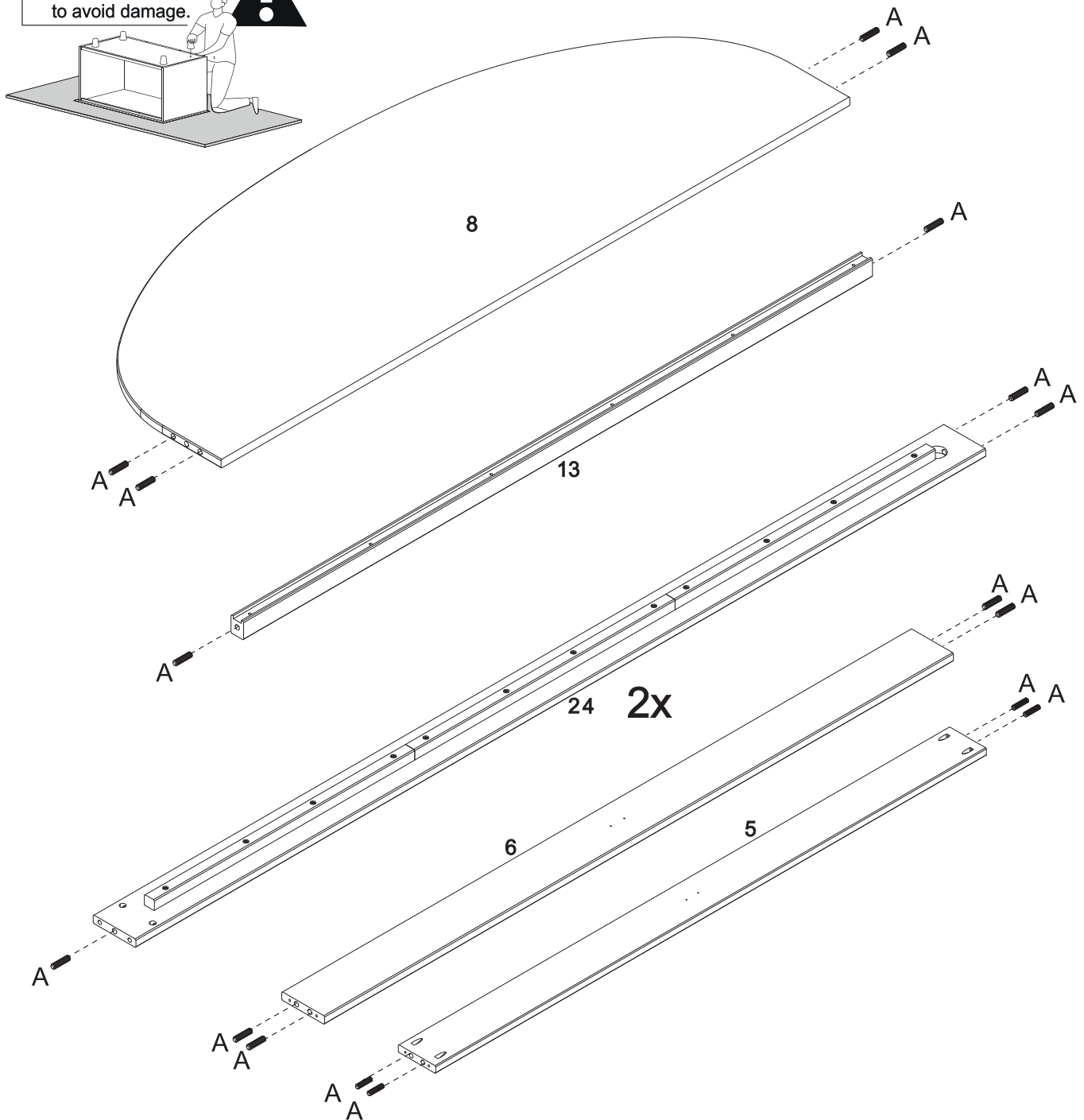
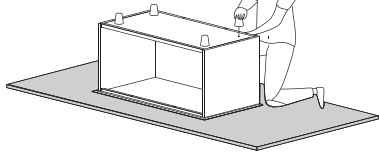
Part	Size	Name	Quantity
A	 10x40mm	Wooden dowel	20
B	 4x30mm	Screw	24
C	 1/4x80mm	Bolt with Nut	4
E		Hex Key	1
F		Support	2
G	 4x16mm	Screw	8
H	 19mm	Plastic foot	3
I	 7x60mm	Bolt	6
J	 3,5x40mm	Screw	8
K		Flat Key	1
L	 1/4x75mm	Perforated Head Bolt	4
M	 ø25x15mm	Fork washer	4

*The hardware quantities listed above are required for proper assembly.
Extra hardware pieces may be included.*

Step 1

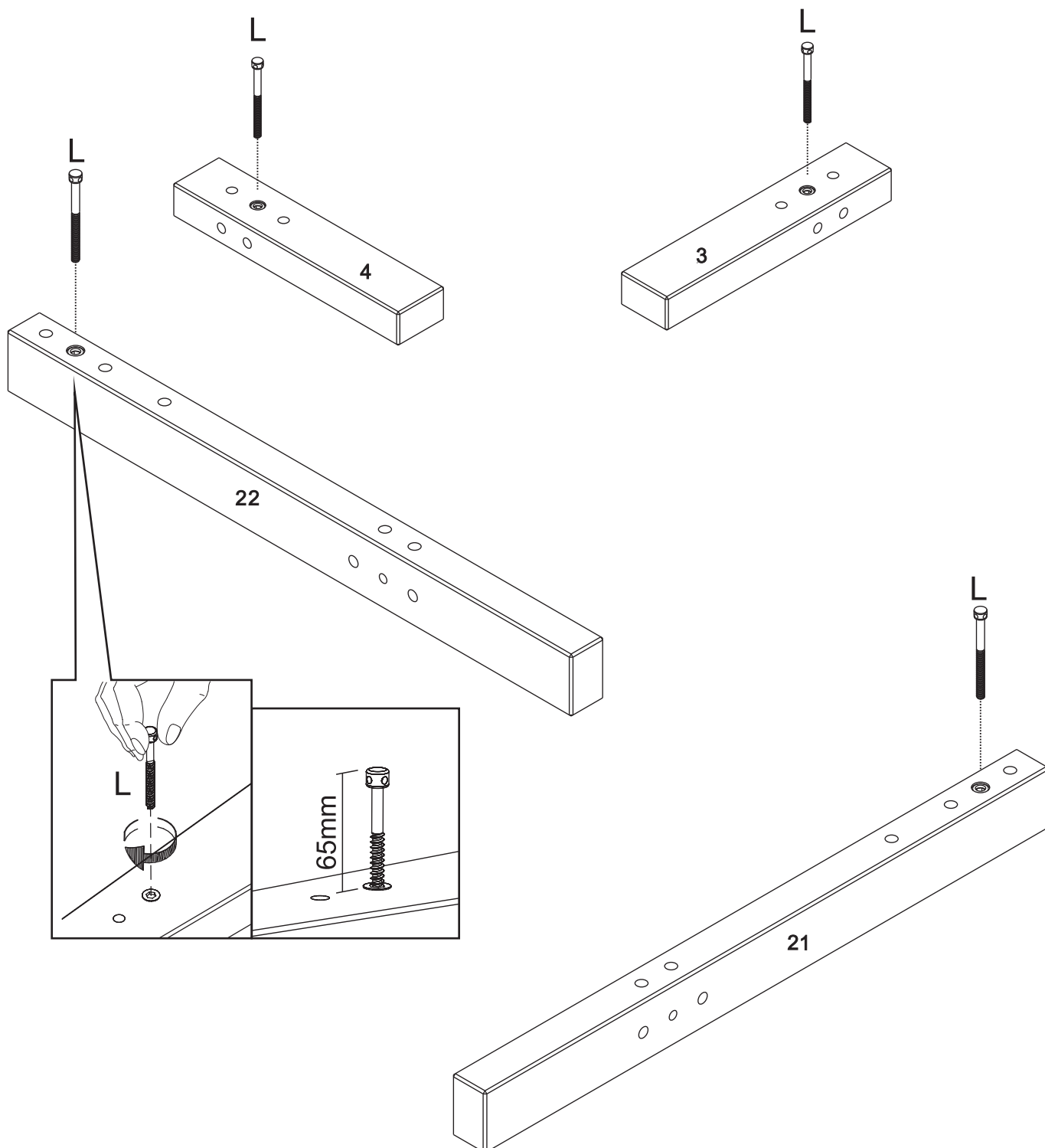
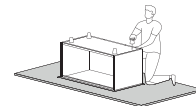
Let's get started. Start by inserting Wooden dowels (A) into the Footboard Rail (5), Headboard Rail (6), Headboard Panel (8), Headboard Panel Rail (13) and Bed Side Rail (24).

Please assemble on a clean soft surface to avoid damage.



Step 2

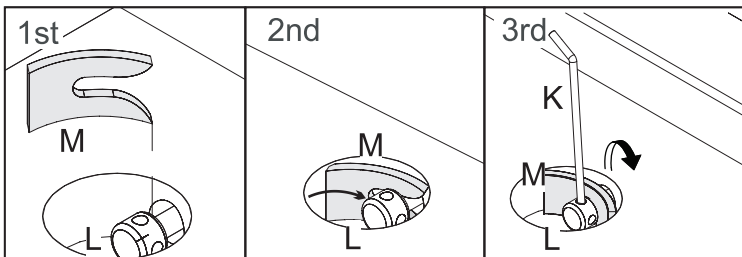
Then insert Perforated Head Bolt (L) into the Footboard Left Leg (3), Footboard Right Leg (4), Headboard Right Leg (21) and Headboard Left Leg (22).



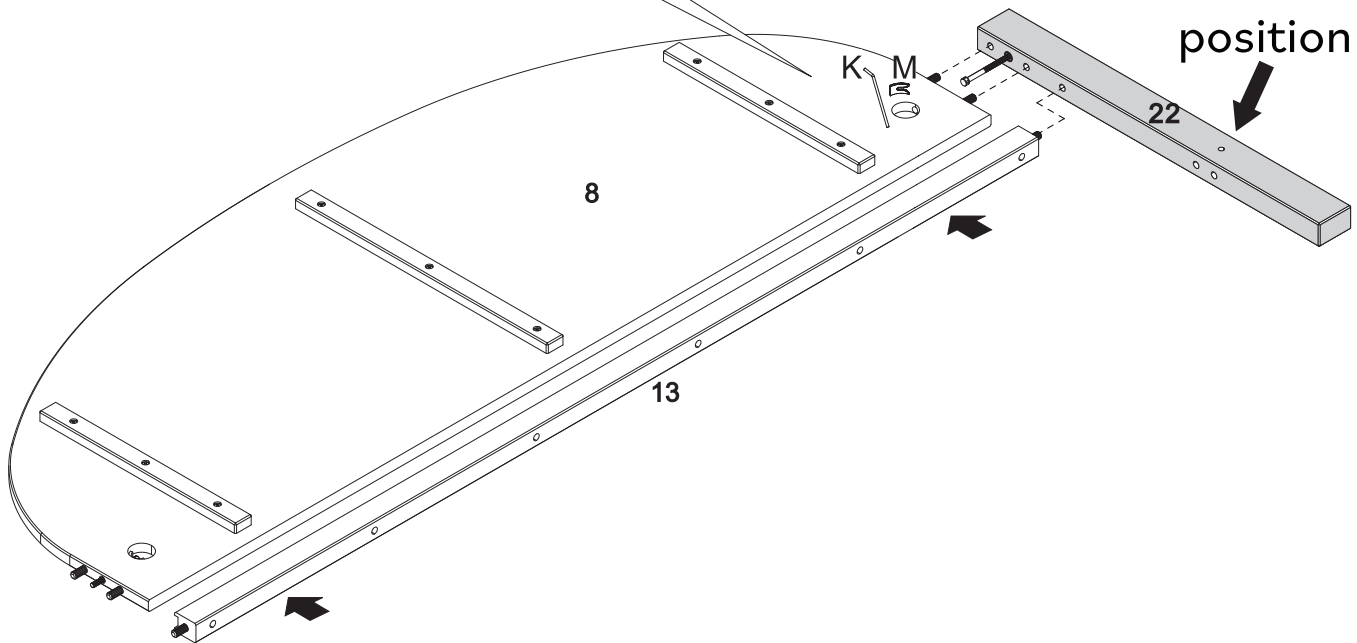
Step 3

Now we will attach the Headboard Left Leg (22) into Headboard Panel (8) and fix the Perforated Head Bolt (L) with Fork Washer (M) and Flat Key (K).

Attach also the Headboard Panel Rail (13) into Headboard Left Leg (22).

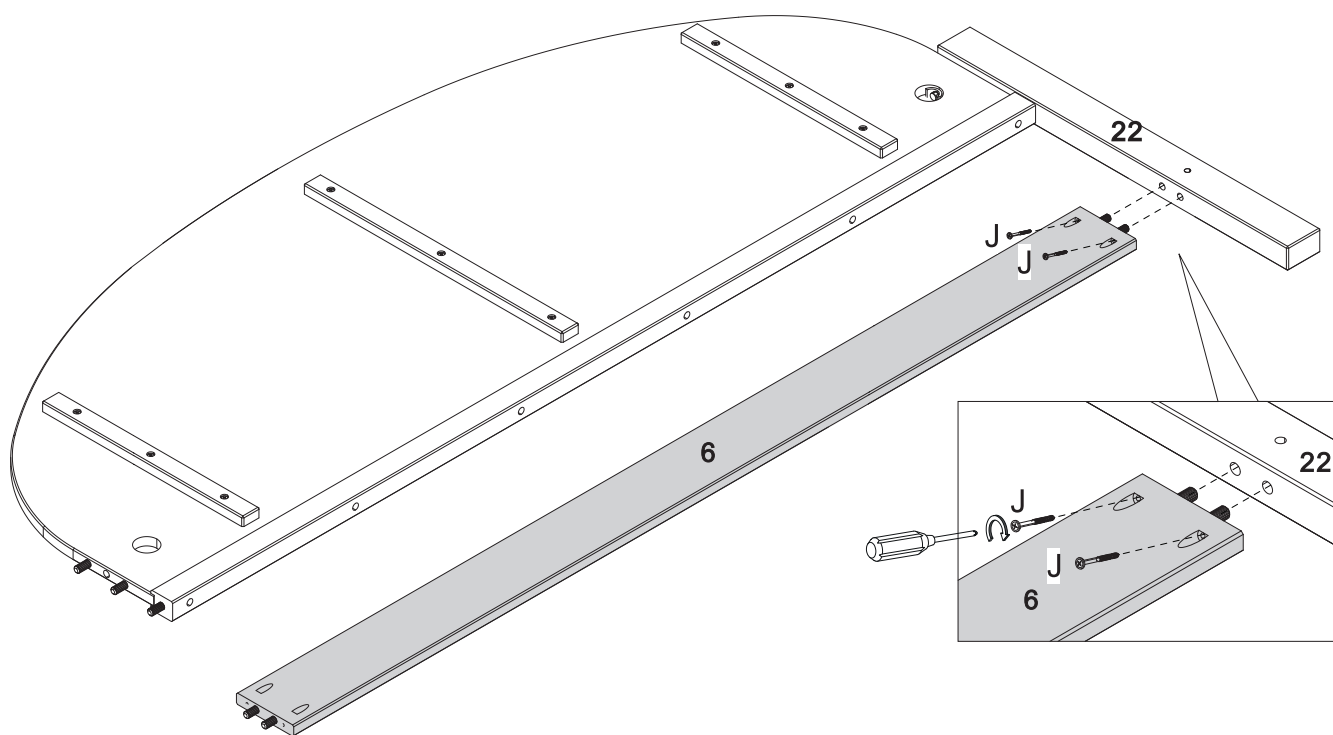
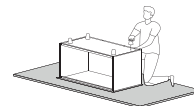



Pay attention
to this hole
position



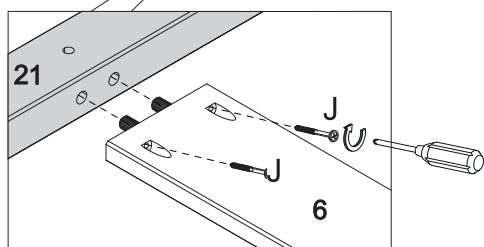
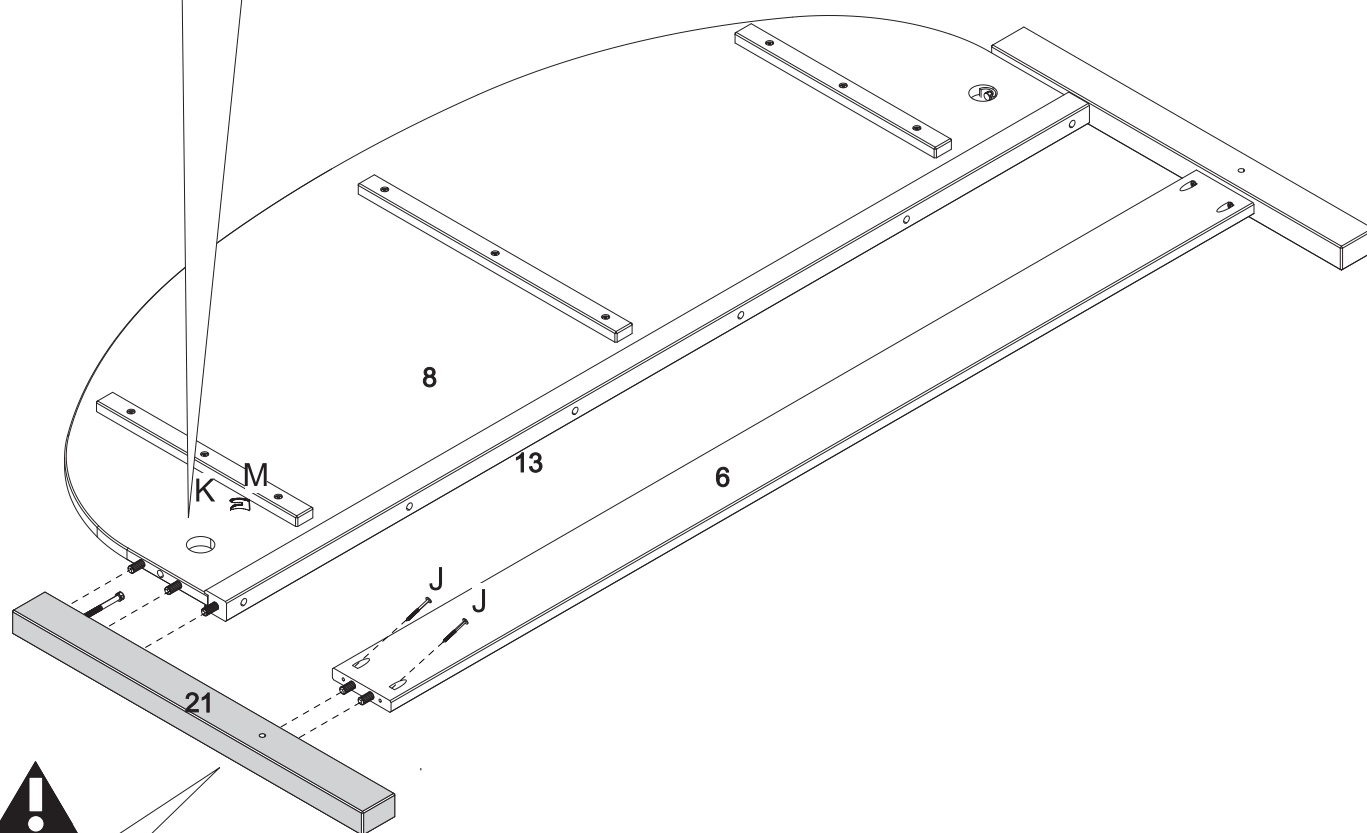
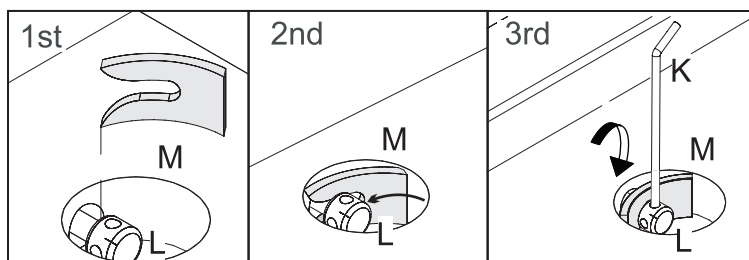
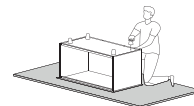
Step 4

Fix the Headboard Rail (6) into Headboard Left Leg (22) with Screws (J) and Phillips head screwdriver.



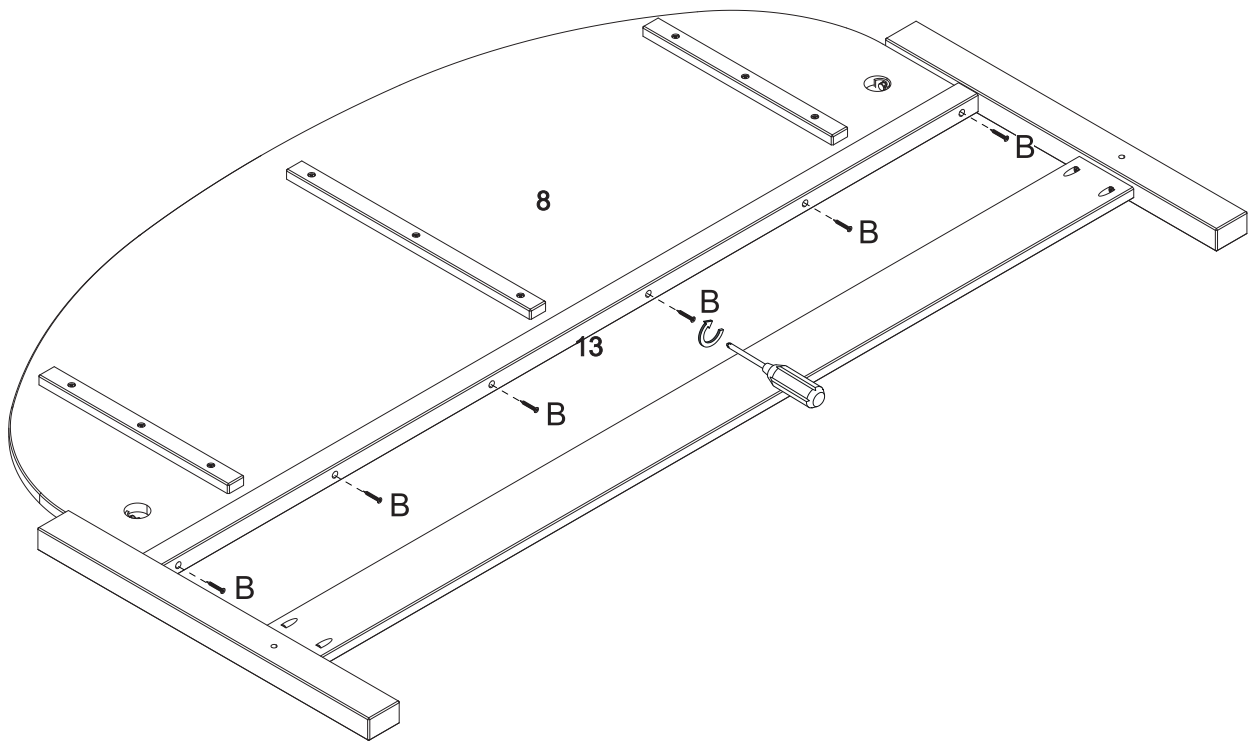
Step 5

Attach now the Headboard Right Leg (21) with previous steps. Use the Flat Key (K) to Perforated Head Screw (M) and Phillips Head Screwdriver to Screws (J).



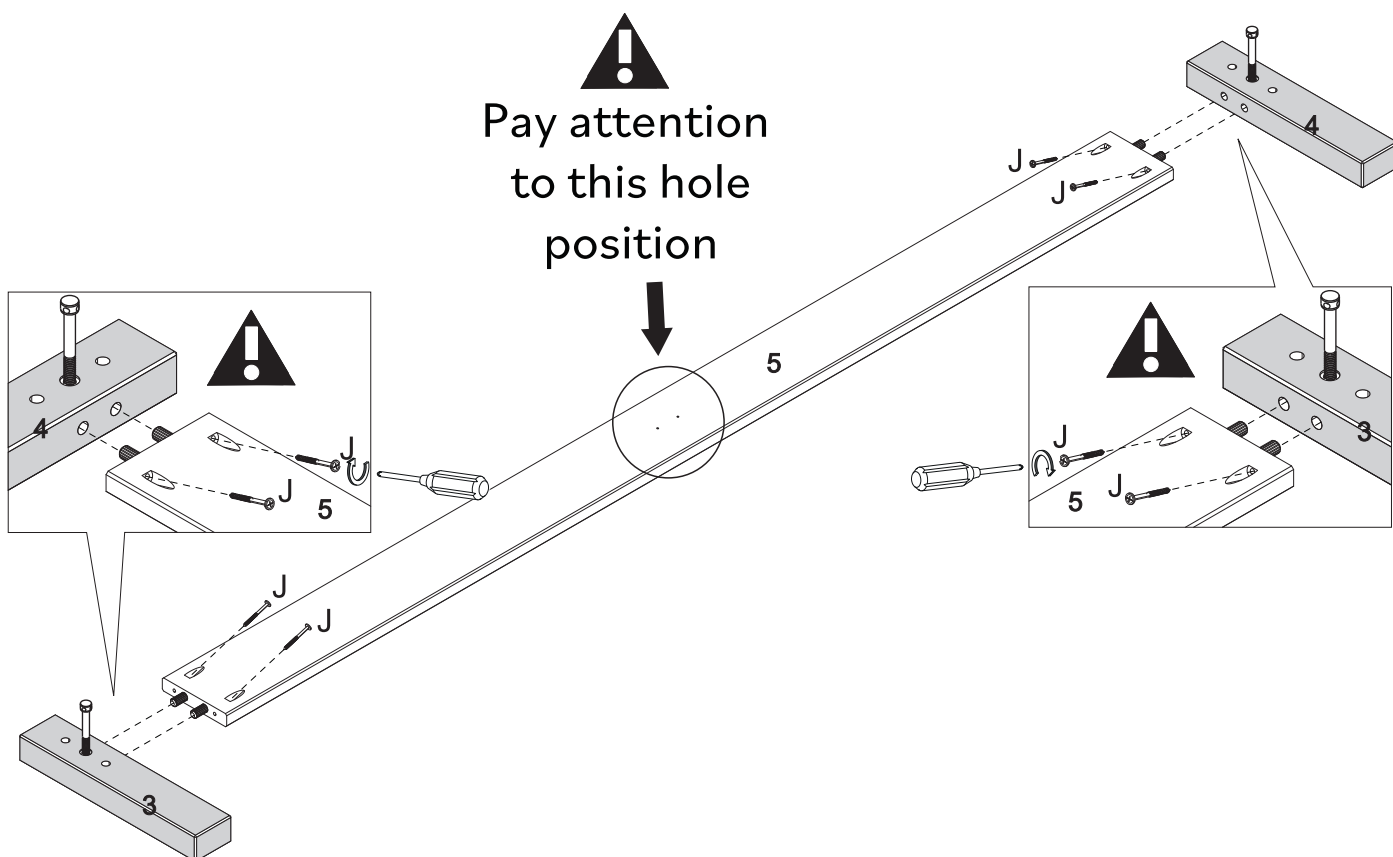
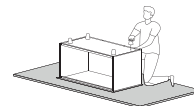
Step 6

Fix the Headboard Panel Rail (13) to Headboard Panel (8) with Screws (B) and Phillips Head Screwdriver.



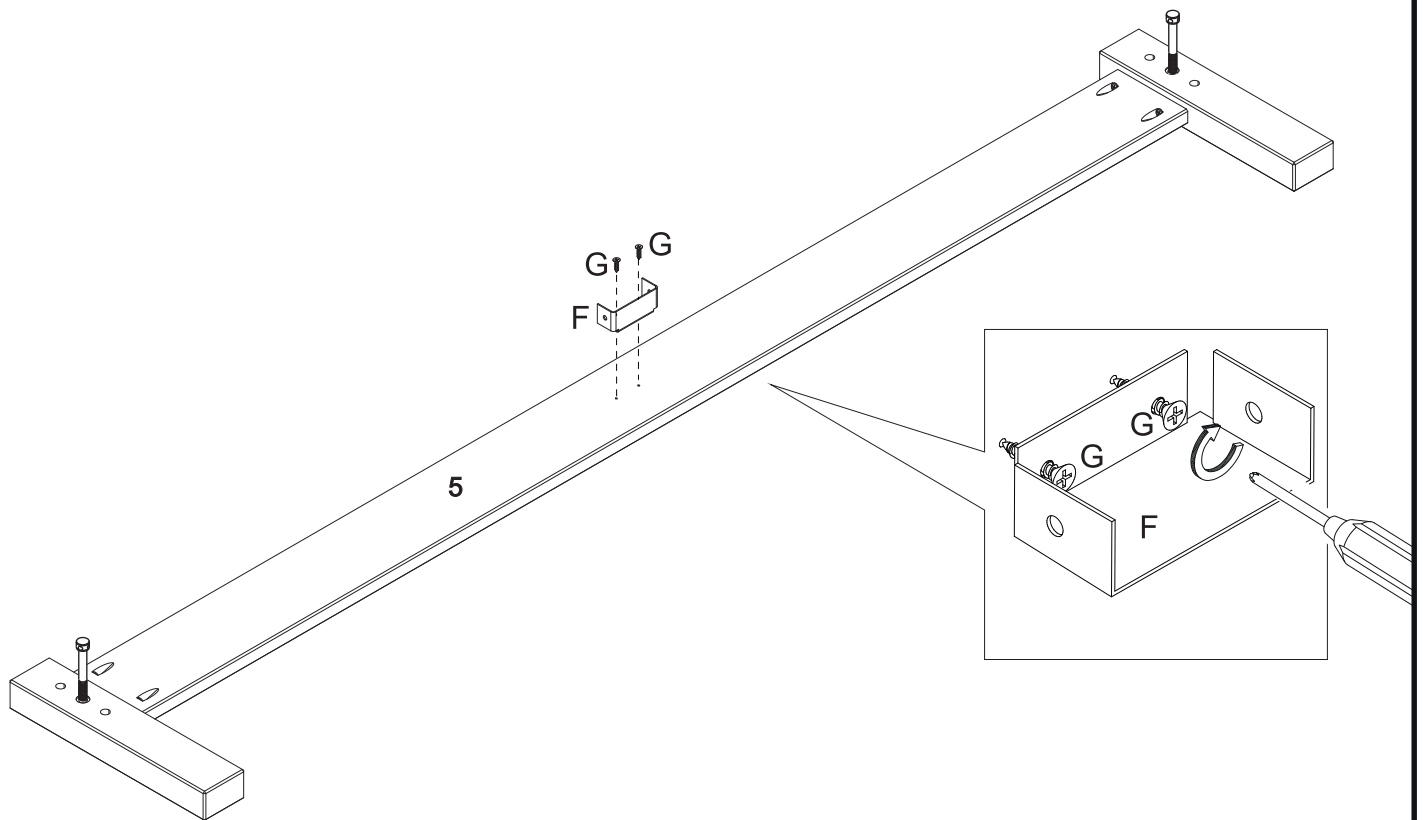
Step 7

Fix the Footboard Rail (13) to Footboard Left Leg (3) and Footboard Right Leg (4) with Screws (J) and Phillips Head Screwdriver.



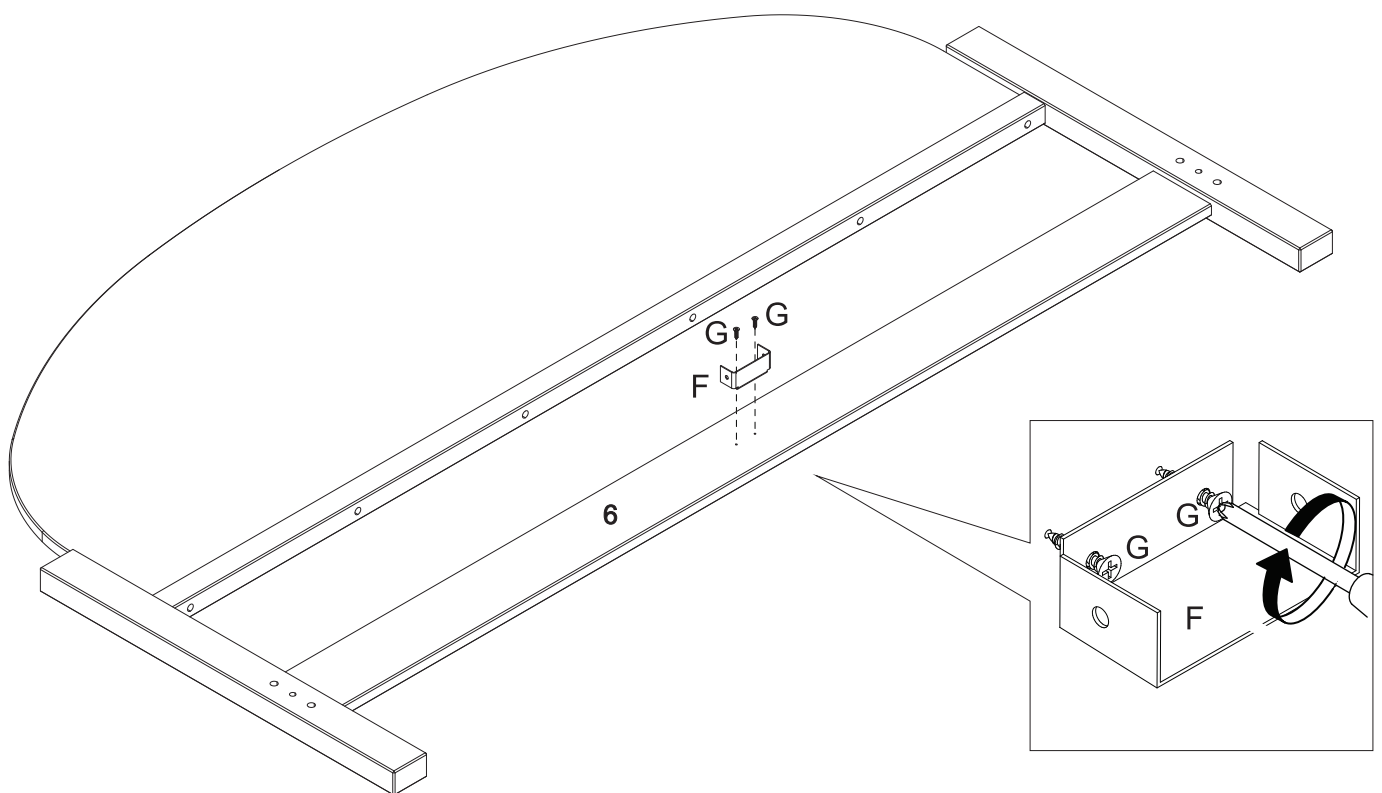
Step 8

Fix the Support (F) to Footboard Rail (5) with Screws (G) and Phillips Head Screwdriver.



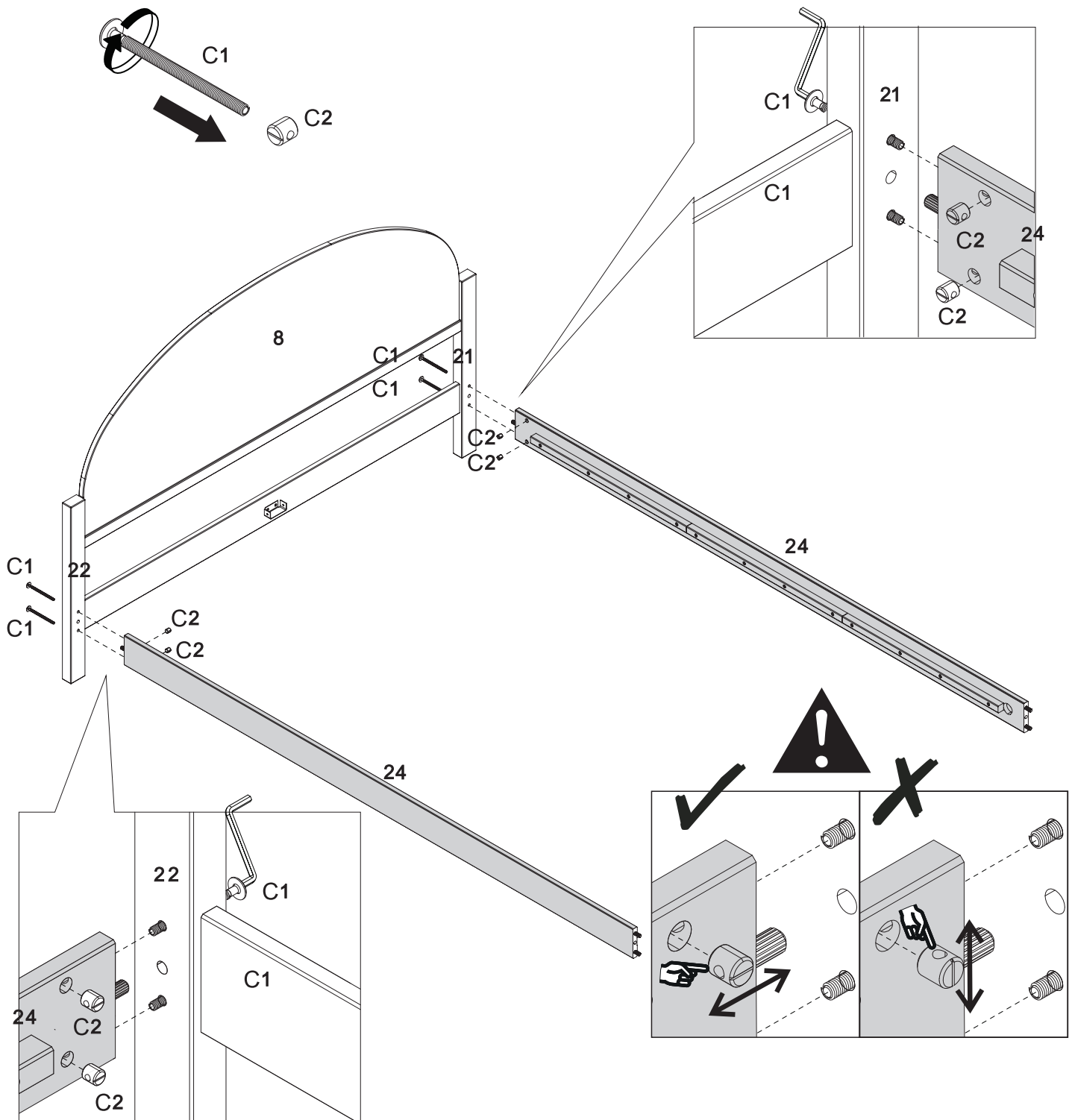
Step 9

Fix the Support (F) to Headboard Rail (6) with Screws (G) and Phillips Head Screwdriver.



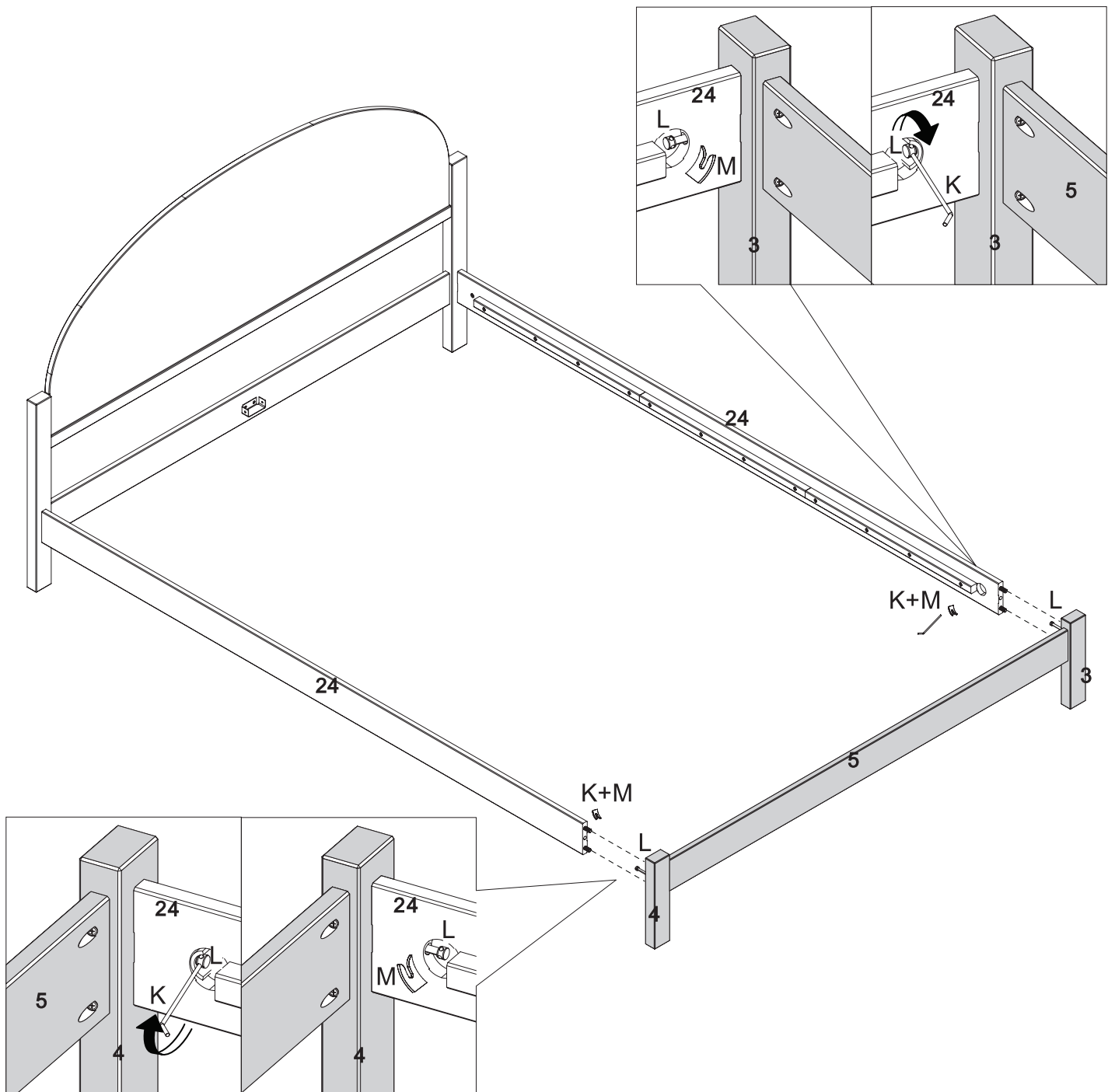
Step 10

First let's unscrew the Nut (C2) from the Screw (C1). Attach the Bed Side Rail (24) into Headboard Left Leg (22) and Headboard Right Leg (21) with Screw (C1) in the Nut (C2), tightening with the Hex Key (E).



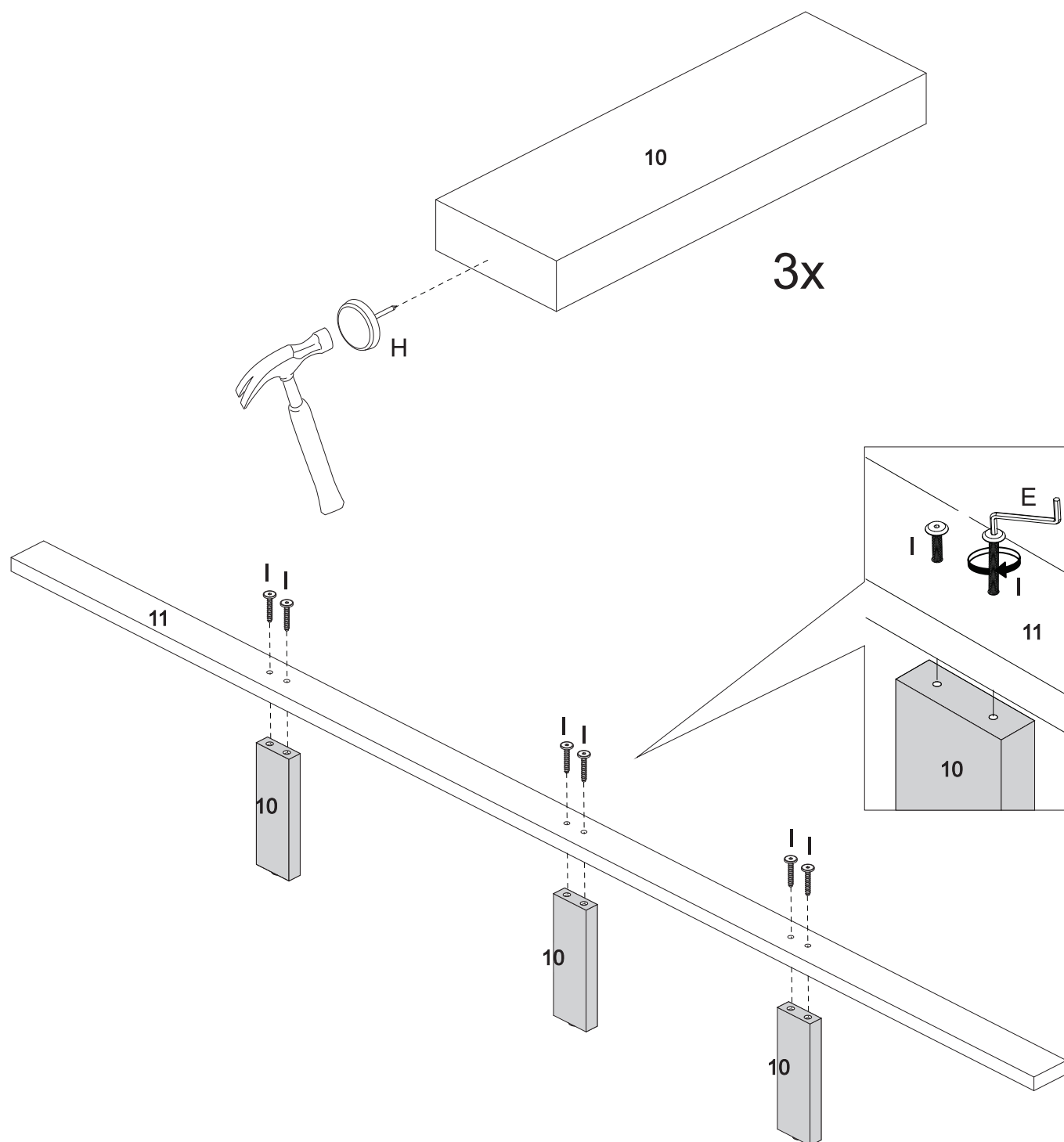
Step 11

Now we will attach the Footboard Left Leg (3) and Footboard Right Leg (4) into Bed Side Rails (24) fixing the Perforated Head Bolt (L) with Fork Washer (M) and Flat Key (K).



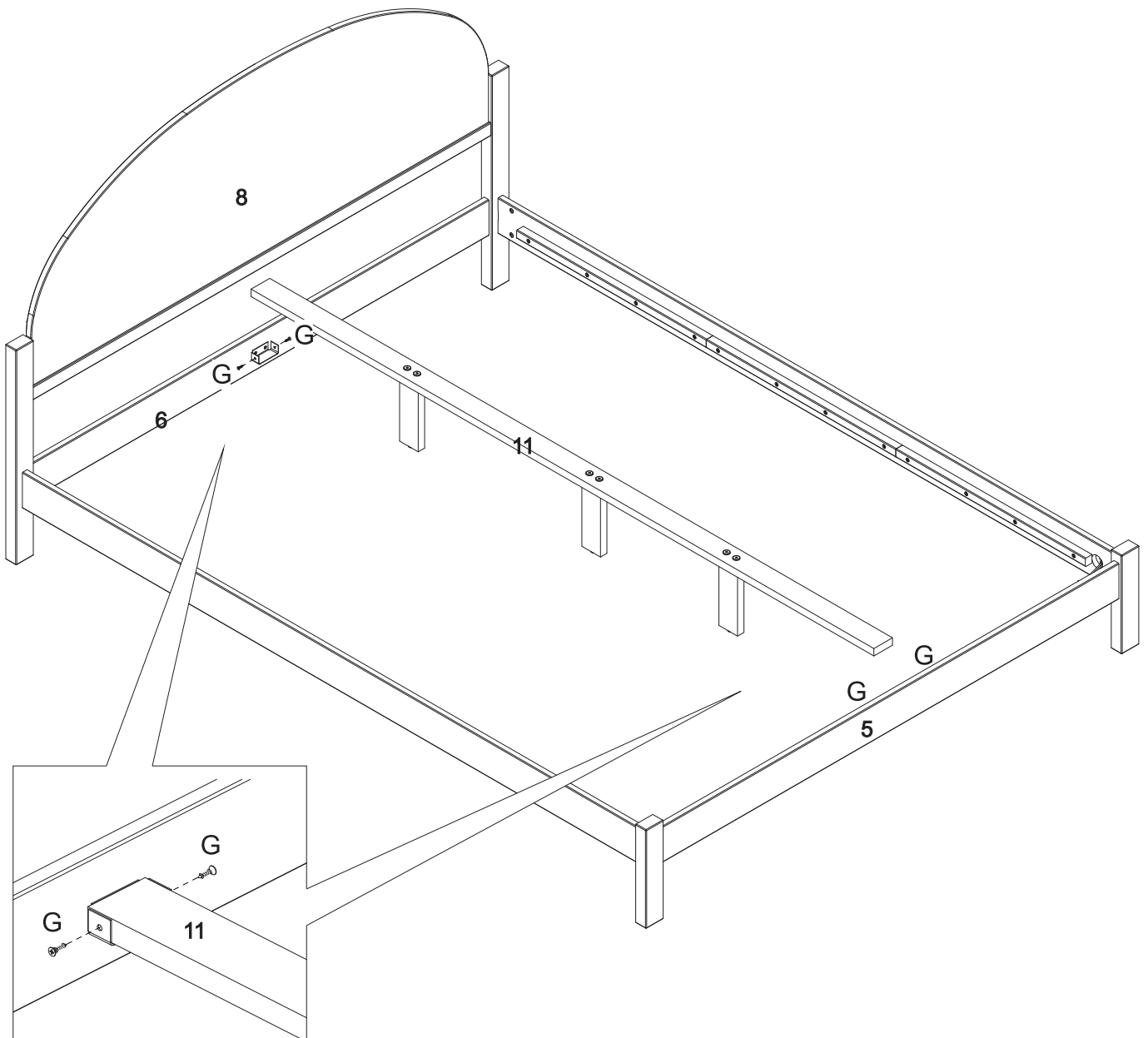
Step 12

With the Hammer, fix the Plastic Feet (H) into the Center Feet (10). Then fix the Center feet (10) into Center Slat (11) with Screw (I) and Hex Key (E).



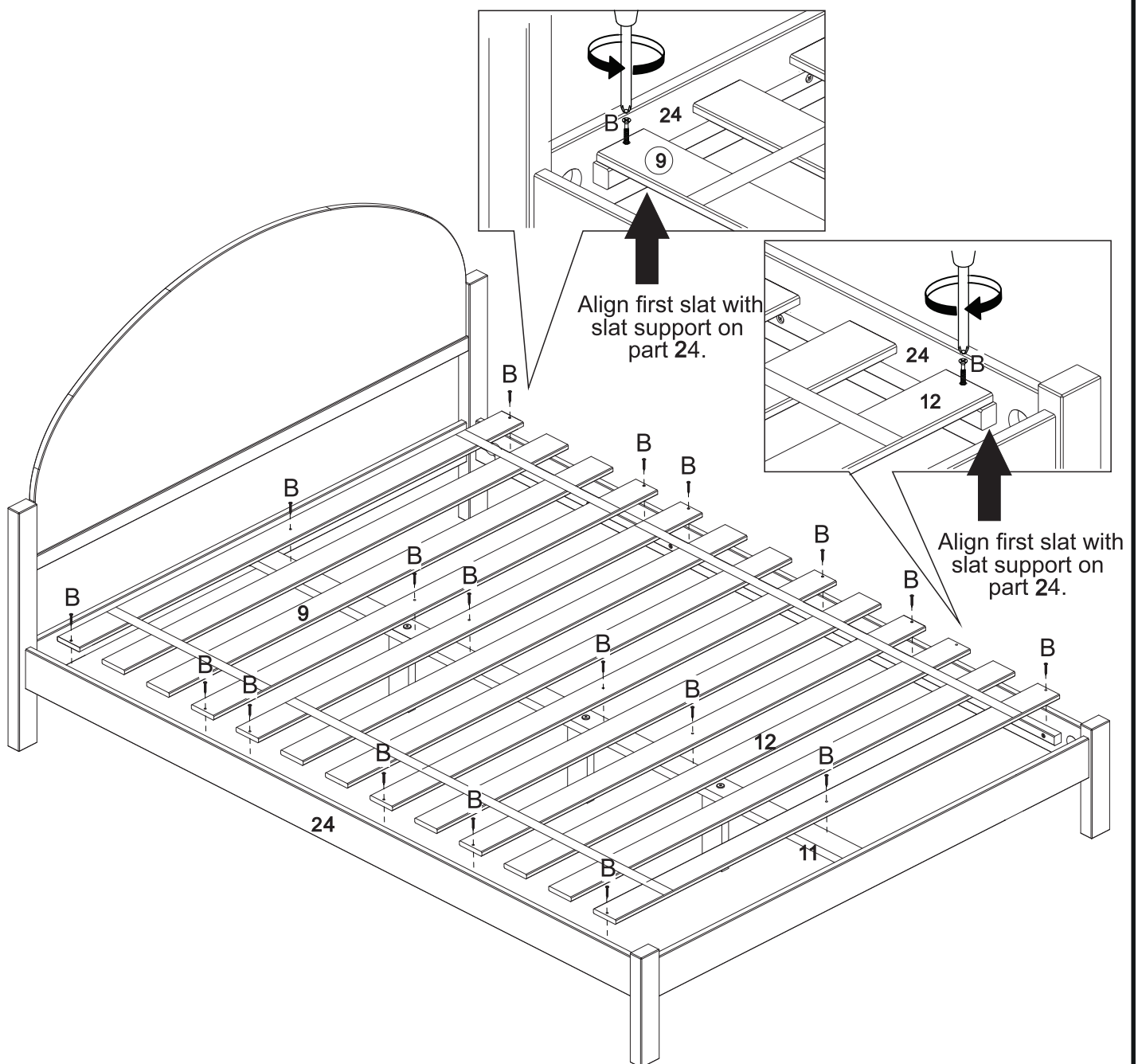
Step 13

Place the Center Slat (11) inside the Support (F) and fix with Screws (G) on the side of the Support. Use a Phillips Head Screwdriver.

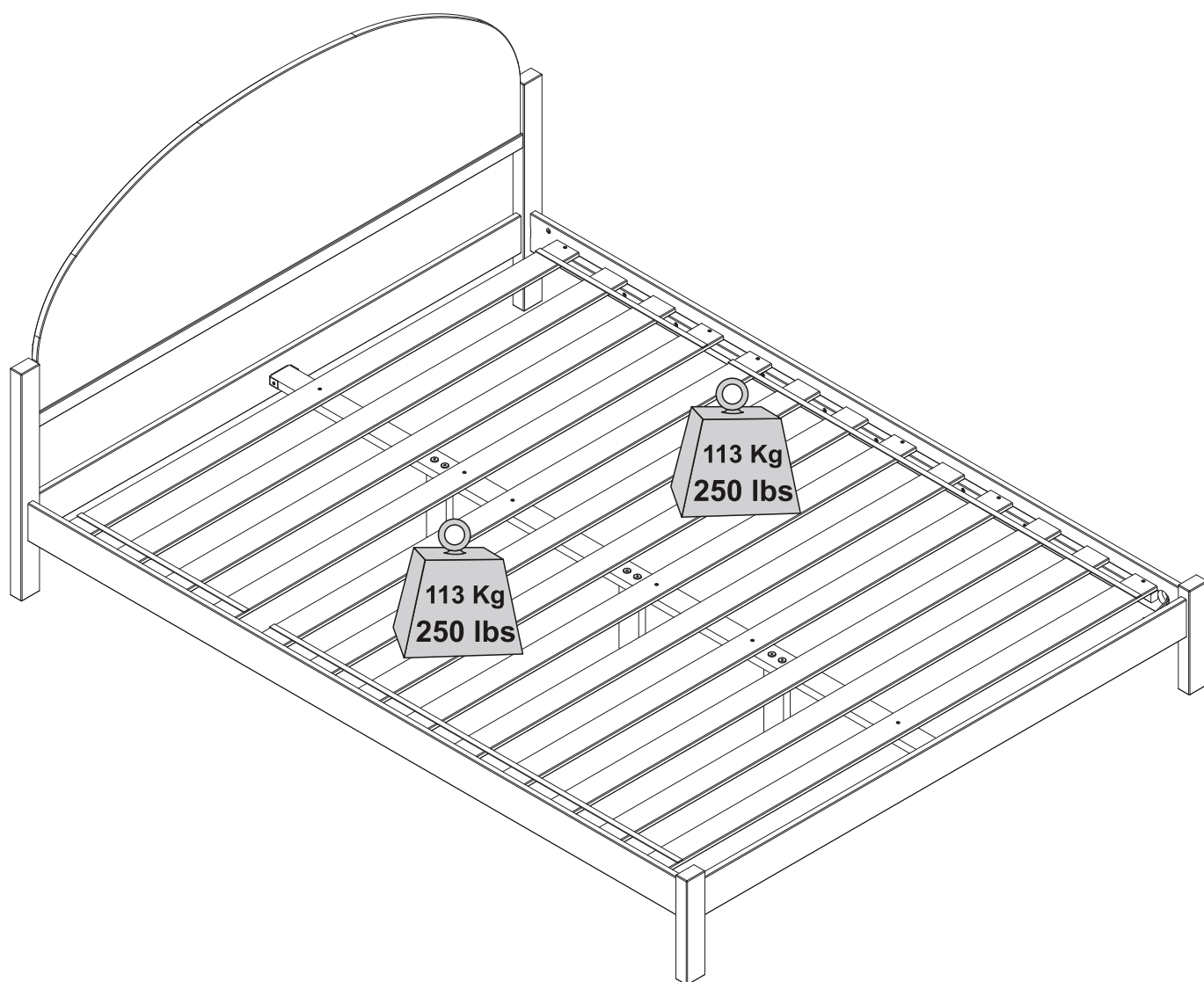


Step 14

Finally, we will fix the Slat (9) and Slat (12) into wood support of Bed Side Rail (24). Align with details and fix with Screws (B) and Phillips Head Screwdriver.



You did it! Enjoy your new Bed!



Congratulations on your new piece of furniture!
We would love to hear about it and see it.
Please leave us a review or post a picture with
[#mywalkerredisonhome](#)

Assembling furniture can be tricky sometimes.

Our customer service team, located in Utah, is here for product information, help assembling a product, or for any other customer support issue

Call us at **801-433-3008**

Email us at service@walkeredison.com

Visit our Customer Service website at walkeredison.com/pages/customer-service

We are available to help Monday -Thursday 8am-5pm, Friday 8am-3pm MST

For details on Assembly Videos, Assembly Instructions, Replacement Parts, and Customer service,

SCAN HERE

