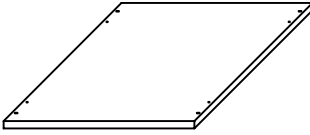
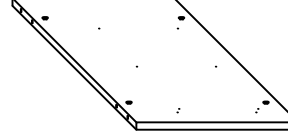
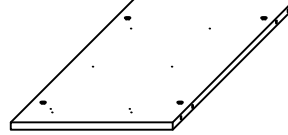

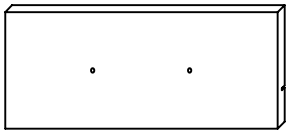

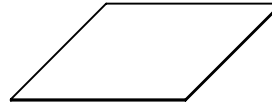
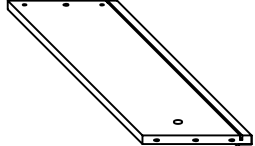
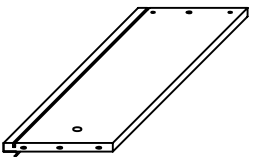

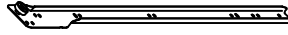



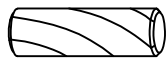


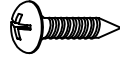
ASSEMBLY INSTRUCTION


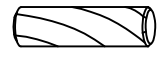
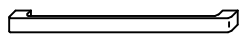
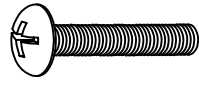
SMALL 2-DRAWER CUBE

A Top and Bottom Panel  2pcs	B Left Side Panel  1pc	C Right Side Panel  1pc	D Back Panel  1pc
--	--	--	---

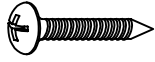
E Drawer Front  2pcs	F Drawer Back Panel  2pcs	G Drawer Bottom Panel  2pcs	H Drawer Left Side Panel  2pcs
--	---	--	--

I Drawer Right Side Panel  2pcs	J Left Drawer Slide 12"  2pcs	K Right Drawer Slide 12"  2pcs	L CSK Screw M3 x 10mm  16pcs
---	---	---	--

M Wood Dowel M8 x 25mm  8pcs	N Minifix Cam Bolt 7mm x 24mm  16pcs	O Minifix Cam Lock 15mm x 9.5mm  16pcs	P Panhead Screw M3.5 x 12mm  12pcs
--	--	--	--

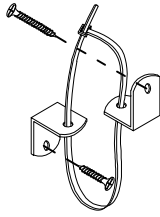
Q Feet Pad  4pcs	R Wood Dowel M6 x 25mm  16pcs	S Handle  2pcs	T Handle Screw 20mm  4pcs
--	---	---	---

U Panhead Screw
M4 x 25mm

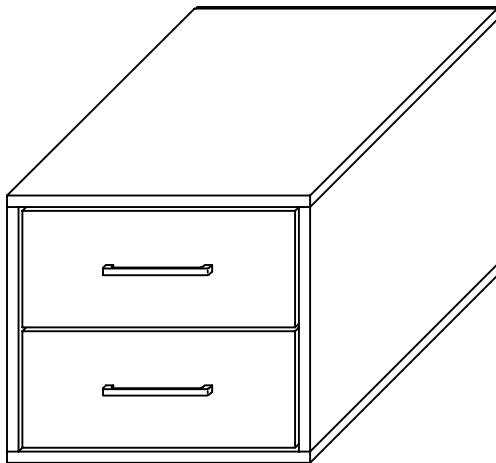


4pcs

V Anti-Tipping Kit



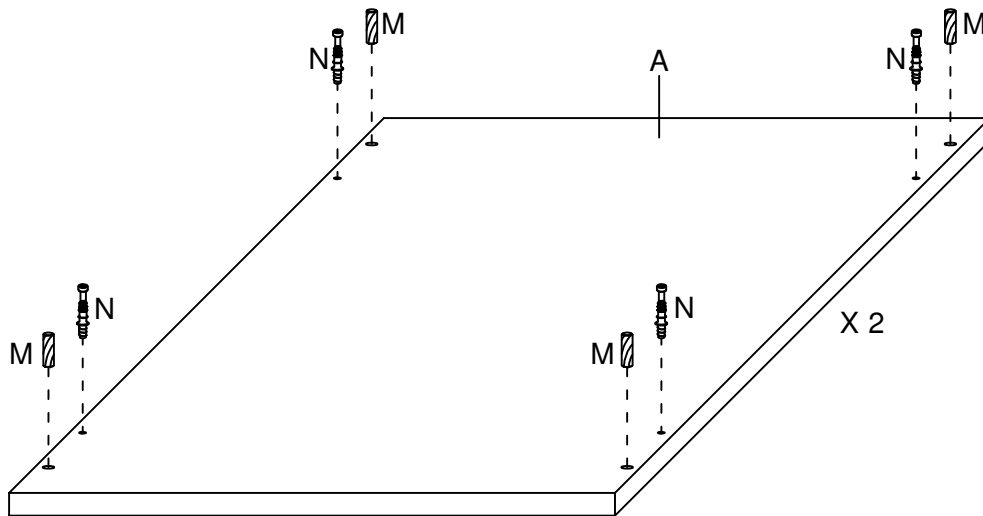
1set



These pages list all the contents included in the box. Please take the time to identify the hardware as well as the individual components to this product. As you unpack and prepare for assembly, place the contents on a carpeted or padded area to protect them from damage.

1

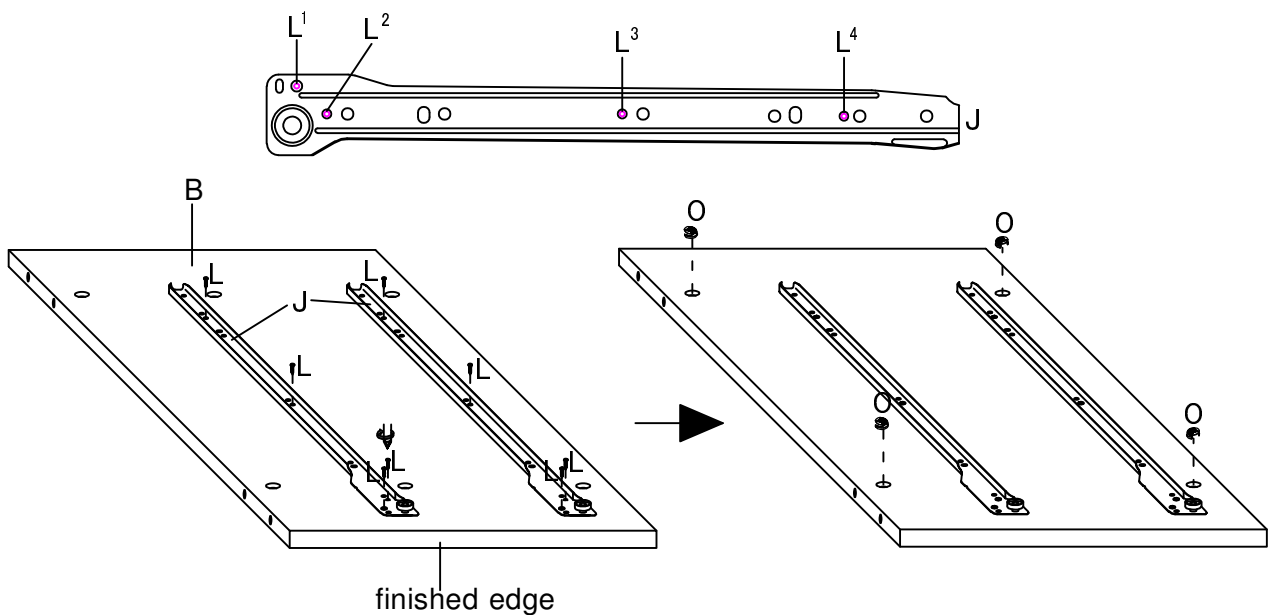
Insert Wood Dowel (M) and Minifix Cam Bolt (N) to Top and Bottom Panel (A).

**2**

Attach Left Drawer Slide (J) to Left Side Panel (B) using CSK Screw (L) with screwdriver (not provided). Then insert Minifix Cam Lock (O) into Left Side Panel (B).

NOTE : - Make sure arrows on each (O) points towards nearest edge with holes.

NOTE : - Screw (L) should be assembled from the front of the runner. Start from L¹, L², L³, L⁴.
- Make sure the screws are installed vertically without slant to ensure screw sits properly in the hole.

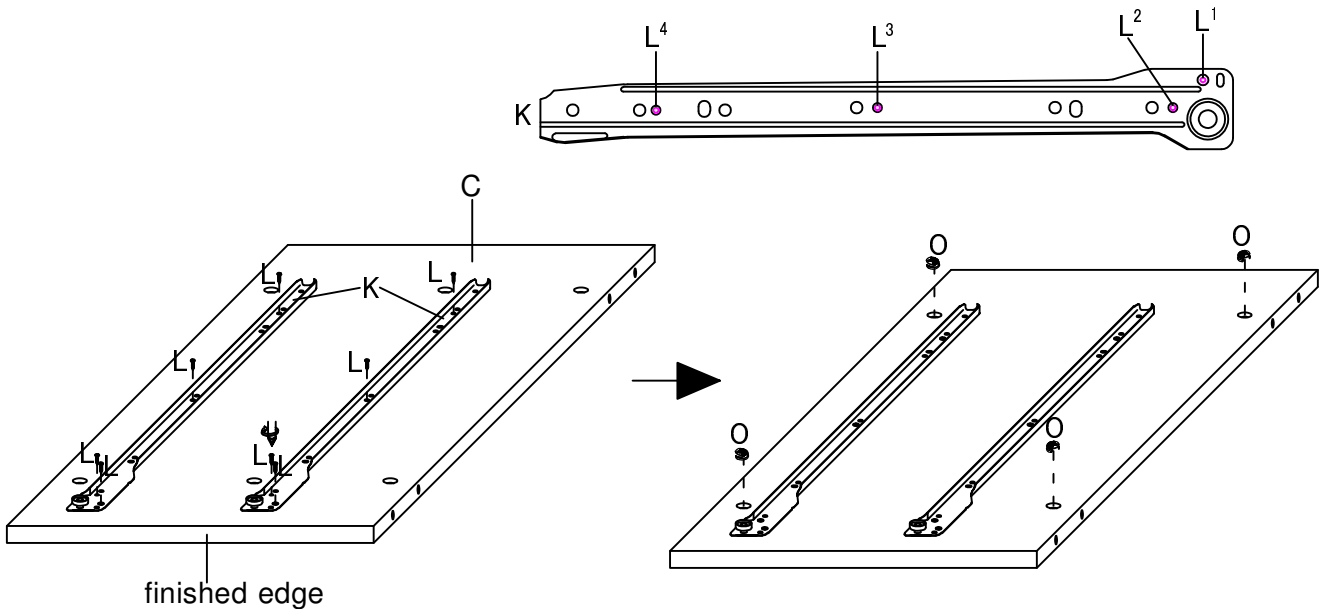
**3**

3

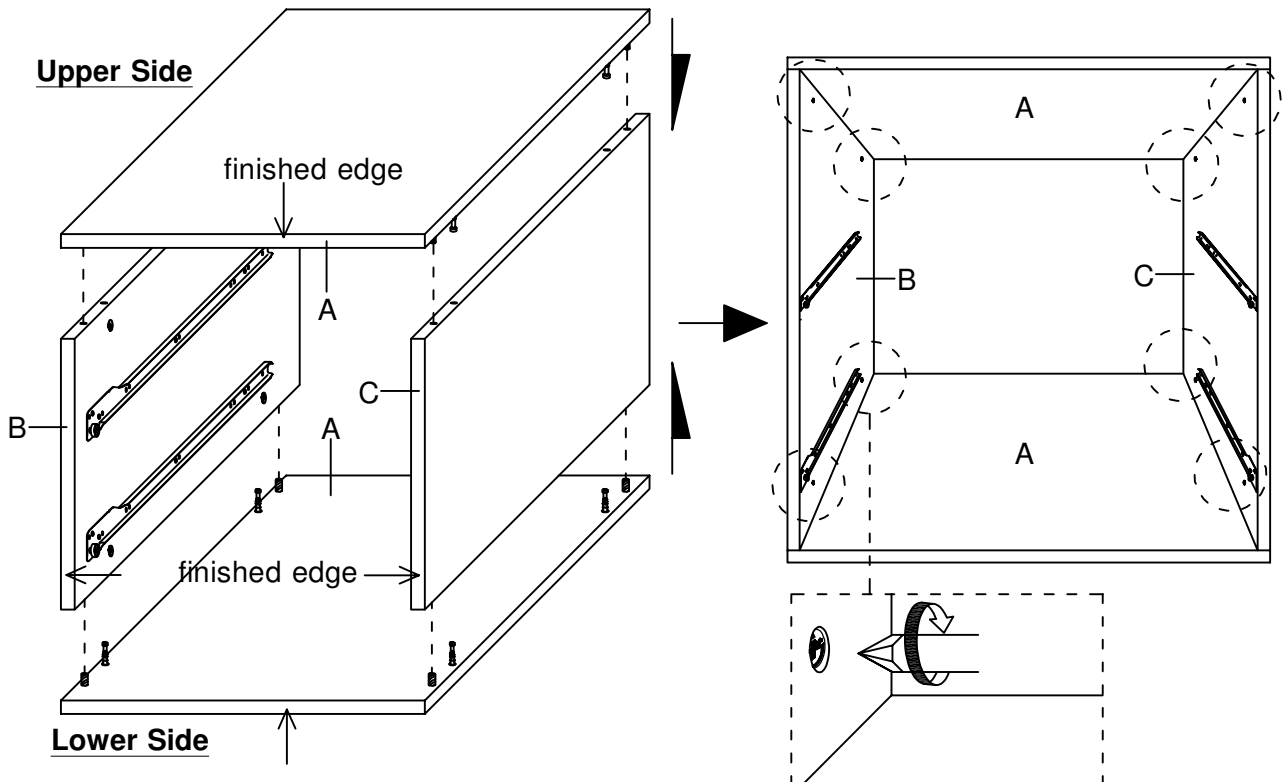
Attach Right Drawer Slide (K) to Right Side Panel (C) using CSK Screw (L) with screwdriver (not provided). Then insert Minifix Cam Lock (O) into Right Side Panel (C).

NOTE : - Make sure arrows on each (O) points towards nearest edge with holes.

NOTE : - Screw (L) should be assembled from the front of the runner. Start from L¹, L², L³, L⁴.
- Make sure the screws are installed vertically without slant to ensure screw sits properly in the hole.

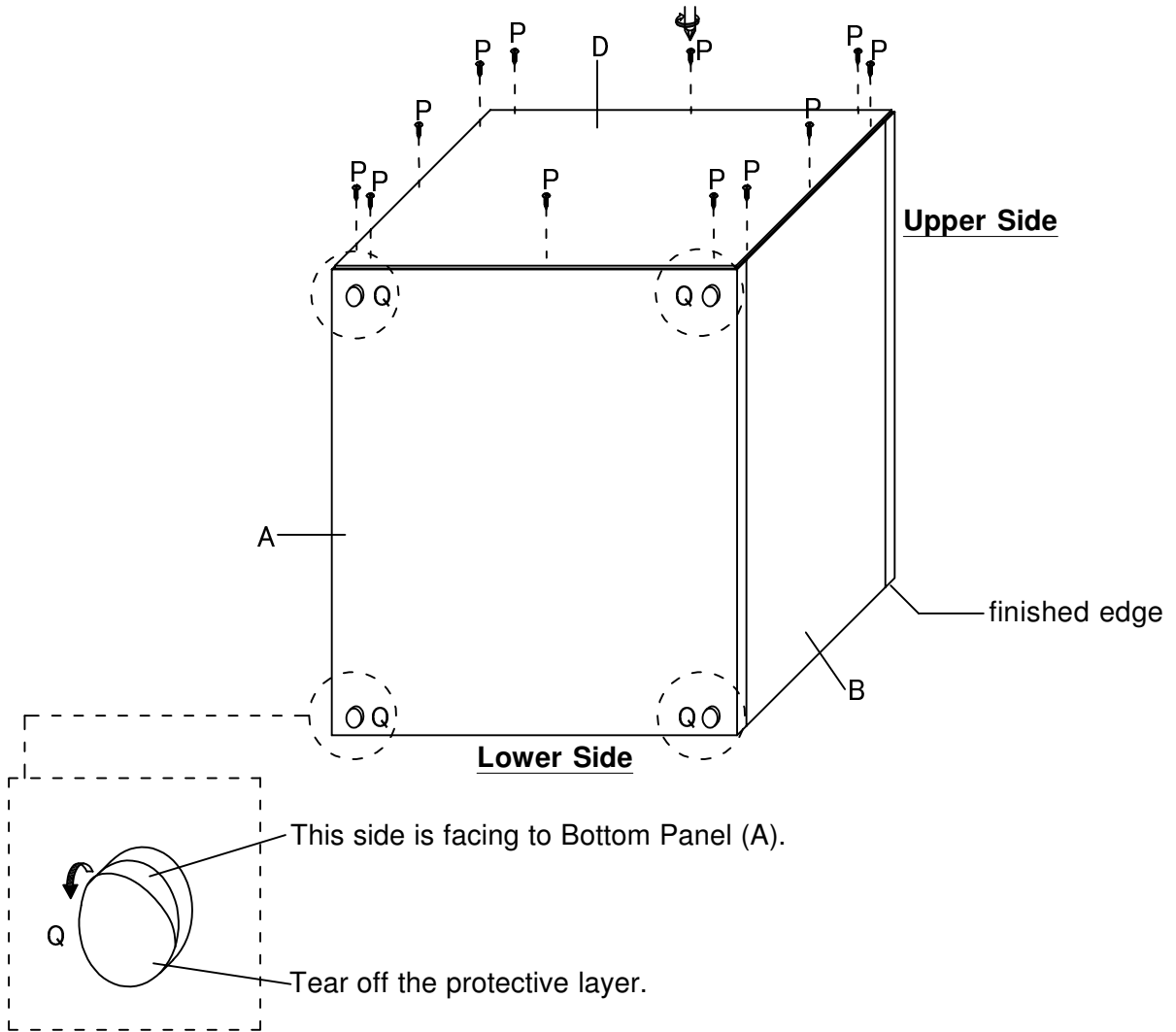
**4**

Attach 2pcs Top and Bottom Panel (A) and Left & Right Side Panel (B & C) then tighten the Minifix Cam Lock (O) with screwdriver (not provided).



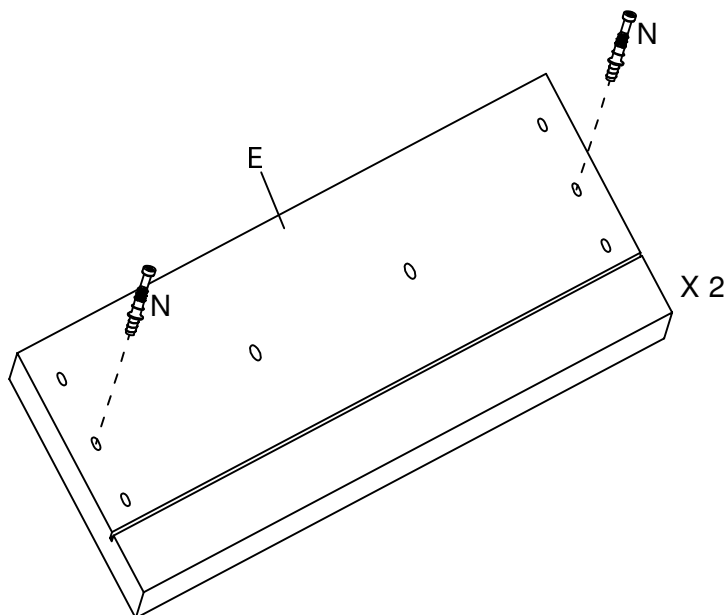
5

Turn the cube and attach Back Panel (D) using Panhead Screw (P) with screwdriver (not provided). Paste Feet Pad (Q) on the 4 corners of the Bottom Panel (A).



6

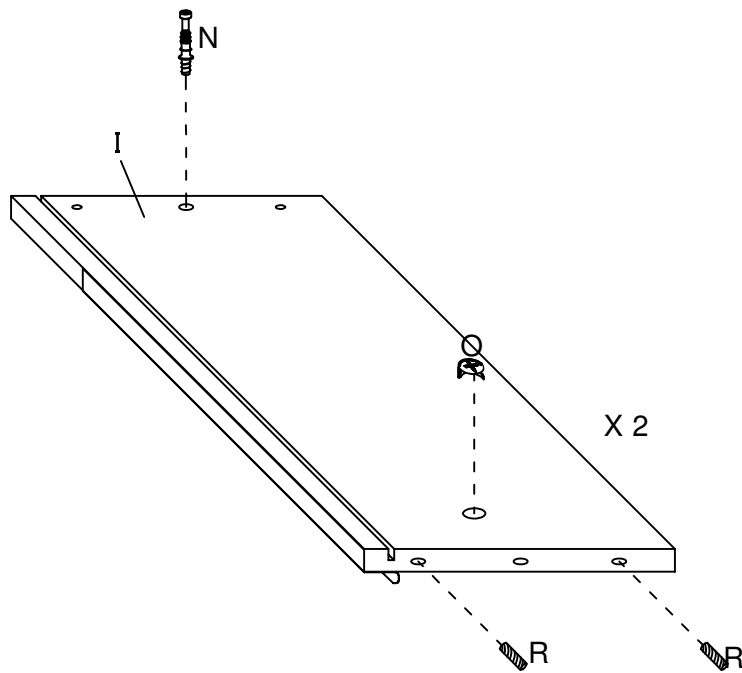
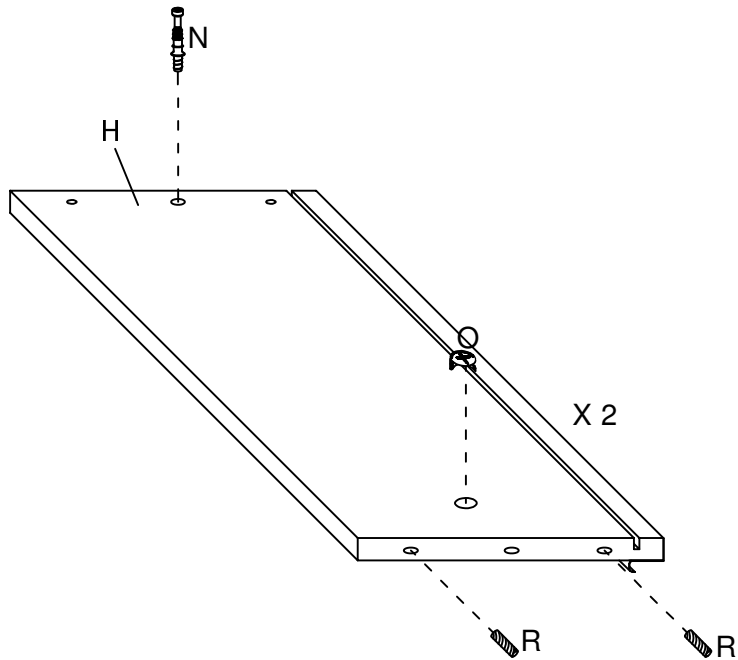
Insert Minifix Cam Bolt (N) into Drawer Front (E).



7

Insert Minifix Cam Bolt (N), Minifix Cam Lock (O) and Wood Dowel (R) into Drawer Left & Right Side Panel (H & I).

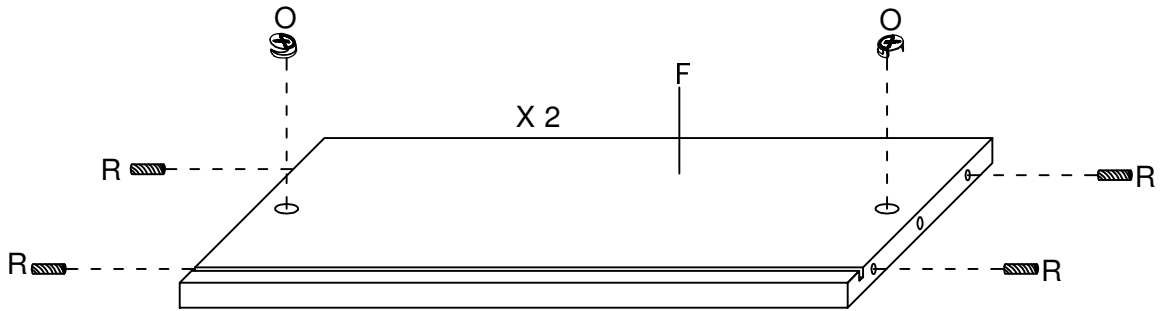
NOTE : - Make sure arrows on each (O) points towards nearest edge with holes.



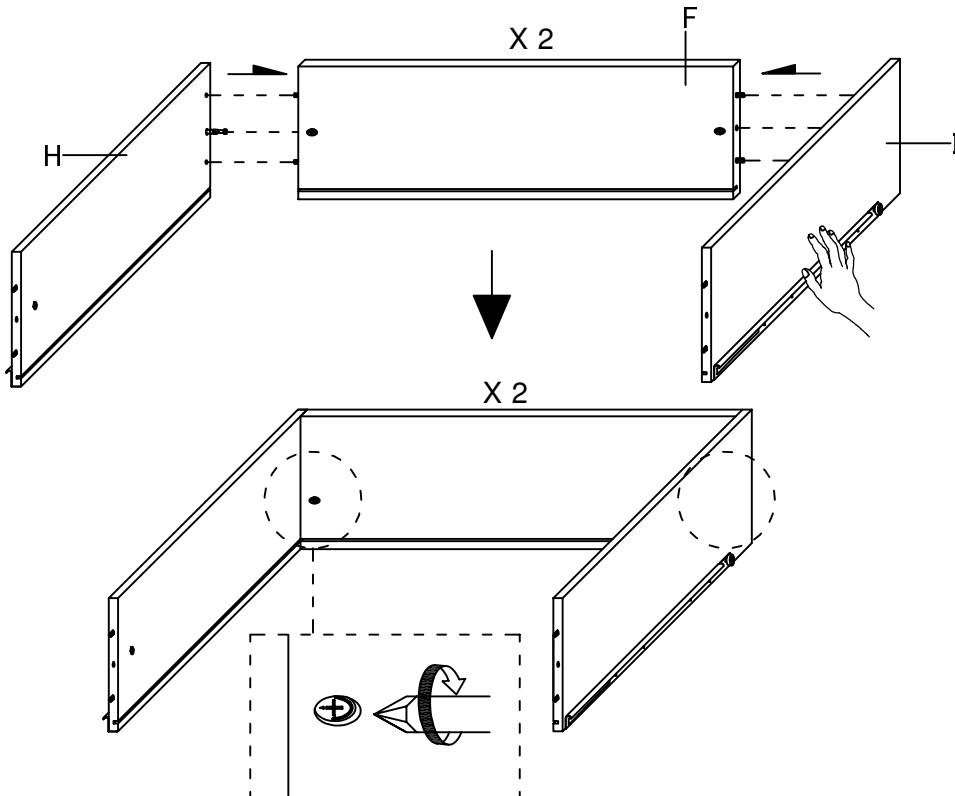
8

Insert Minifix Cam Lock (O) and Wood Dowel (R) into Drawer Back Panel (F).

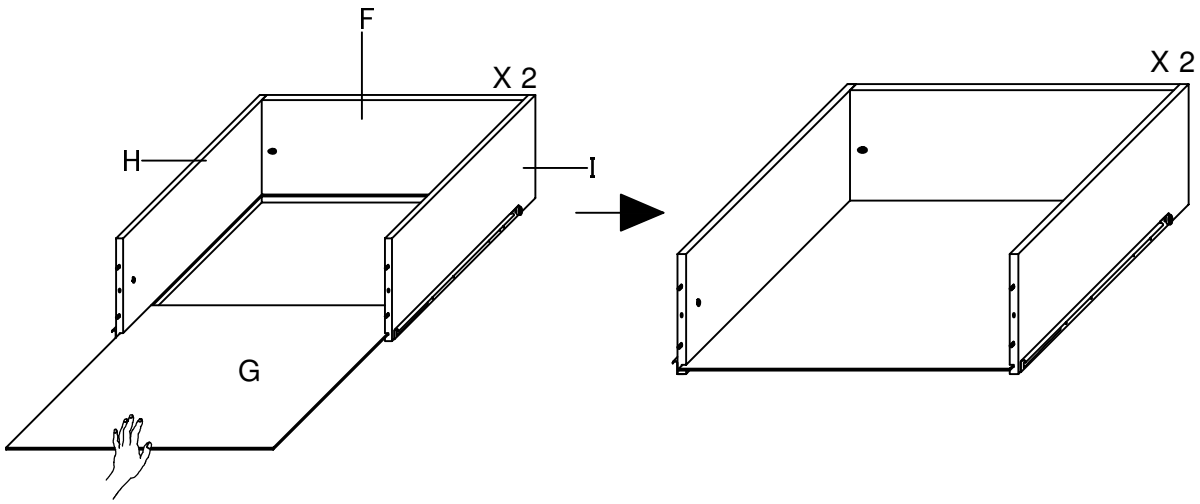
NOTE : - Make sure arrows on each (O) points towards nearest edge with holes.

**9**

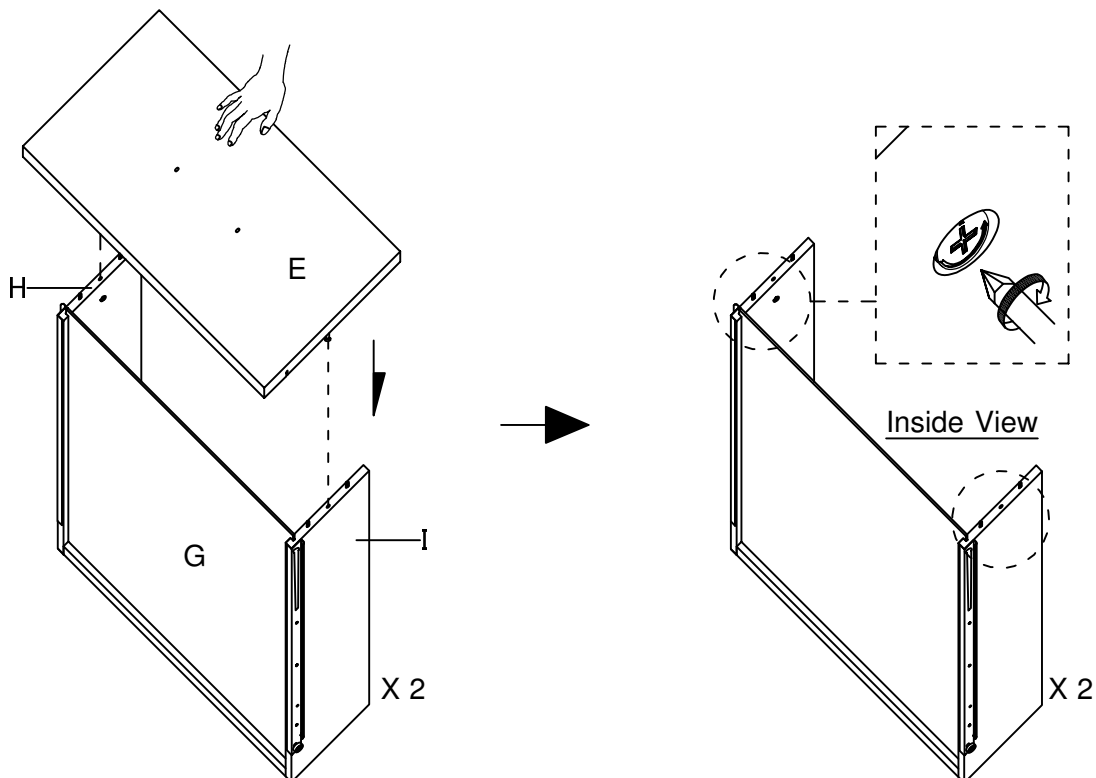
Attach Drawer Left & Right Side Panel (H & I) to Drawer Back Panel (F) and tighten the Minifix Cam Lock (O) with screwdriver (not provided).



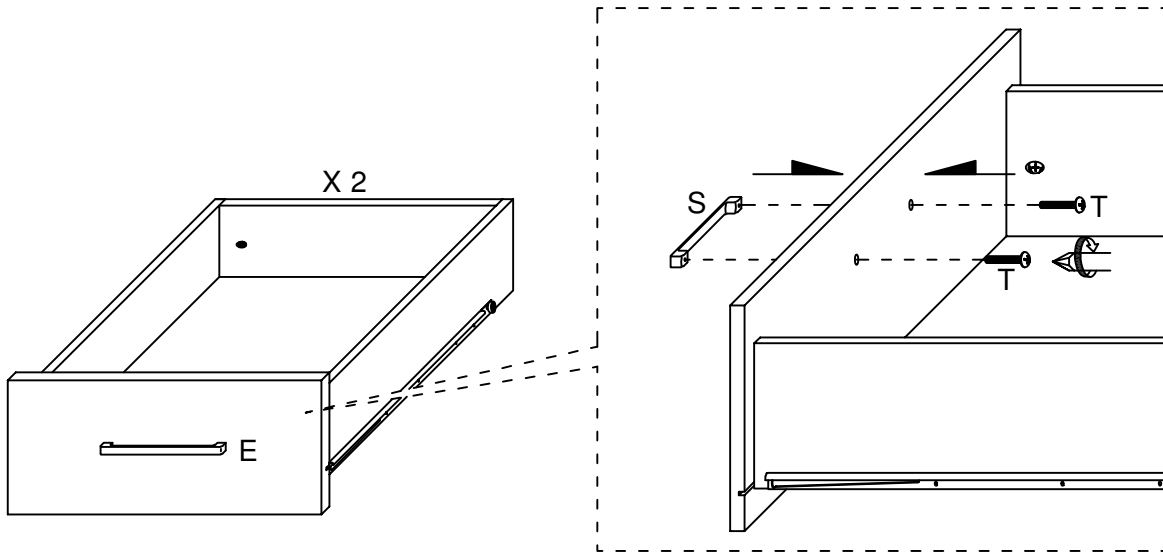
10 Slot Drawer Bottom Panel (G) into corresponding grooves.



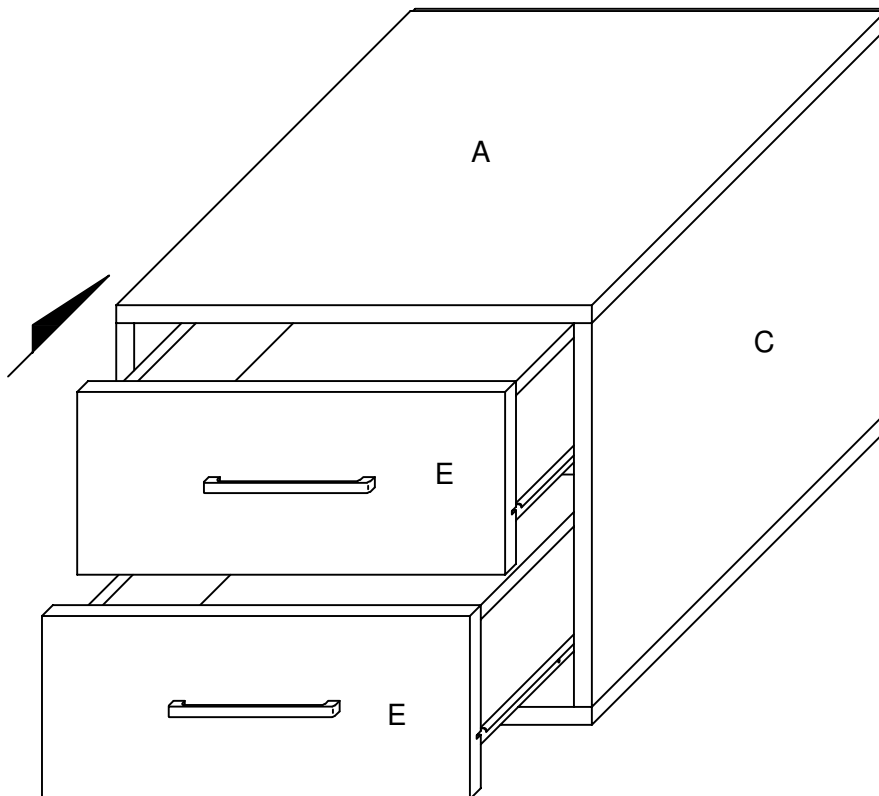
11 Attach Drawer Front (E) to the drawer box and tighten the Minifix Cam Lock (O) with screwdriver (not provided).



12 Attach Handle (S) to Drawer Front (E) using Handle Screw (T) with screwdriver (not provided).

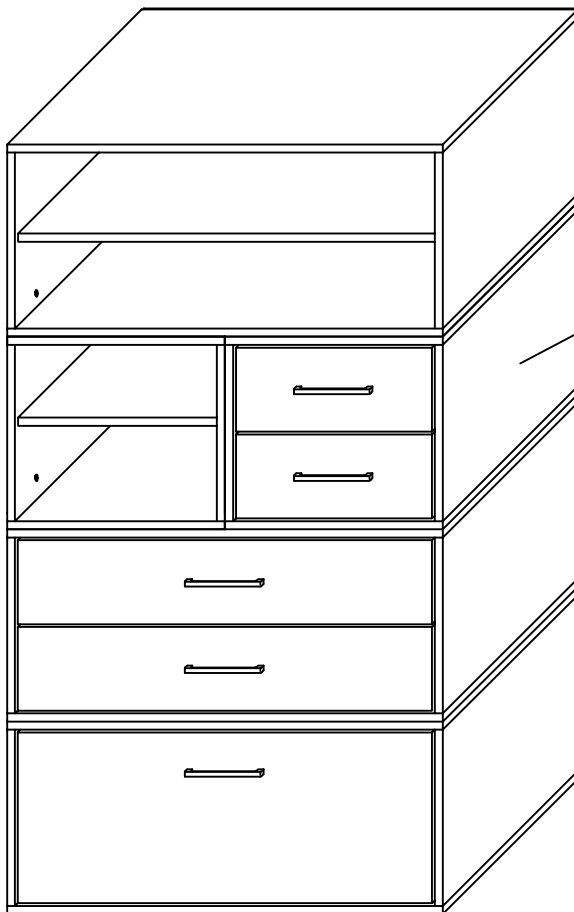
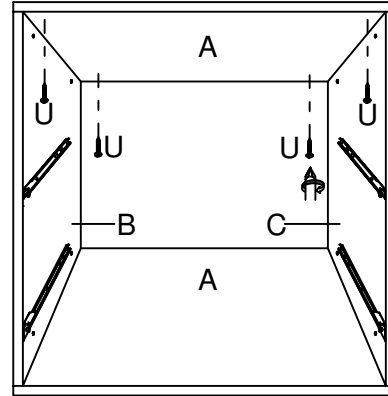
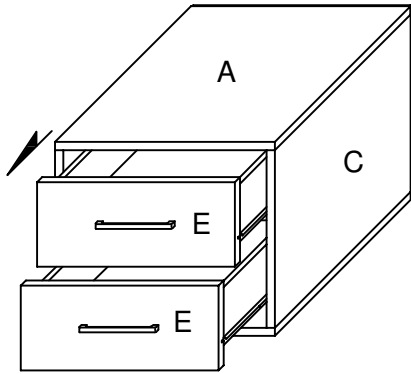


13 Align the position and push the drawer box into the cube.

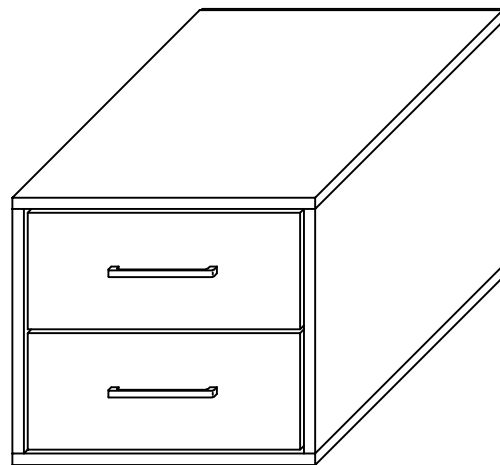


14**More Selection Styles : 141L1 + 141S1 + 141S2 + 141L2 + 141L3**

Take out the drawer box. Attach Top Panel (A) to the other cube using Panhead Screw (U) with screwdriver (not provided). Ignore this step if this cube is placed on the top.

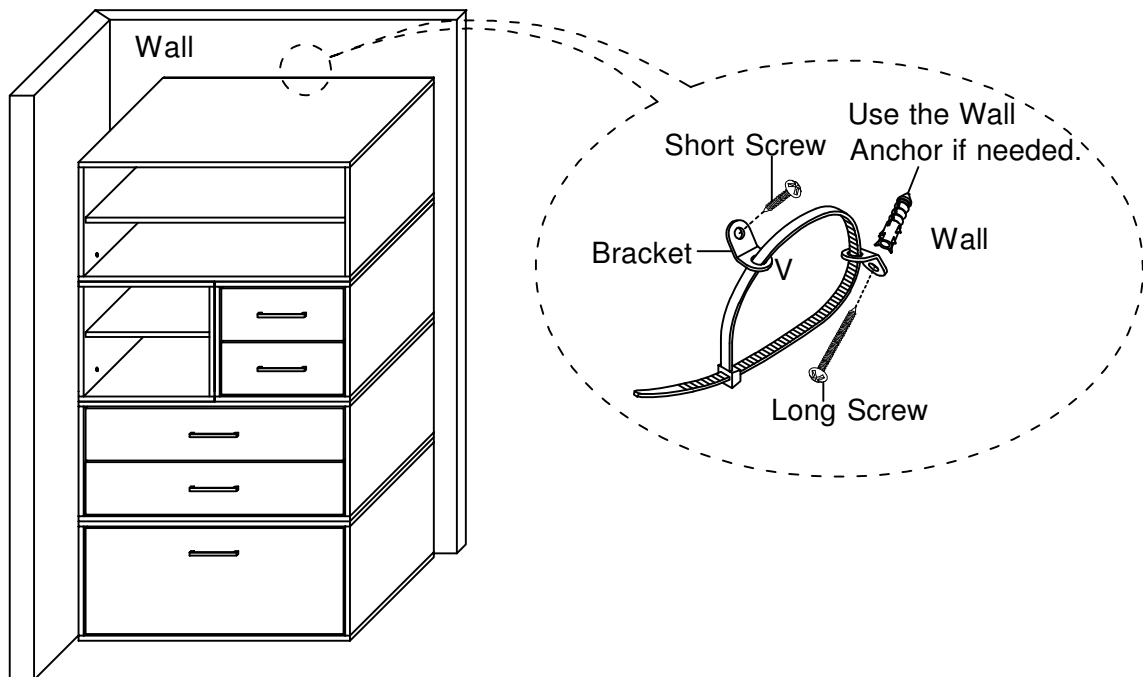


141S2



15

Attach Anti-Tipping Kit (V) to wall. Attach bracket (vertically) to wall using the long screw provided. Attach bracket (vertically) to furniture back (directly below top) with short screw. Place bracket as close to center of furniture back as possible in relation to wall stud and the desired position in the room. Move furniture to its final position. Thread the strap through bracket, and pull it tight.



Cleaning & Care

Treat surfaces with care. Surfaces are resistant to scratches but are not scratch resistant. Clean surfaces with a dry or damp soft cloth. Do not use abrasive cleaners. Hardware may loosen over time. Periodically check that all connections are tight.