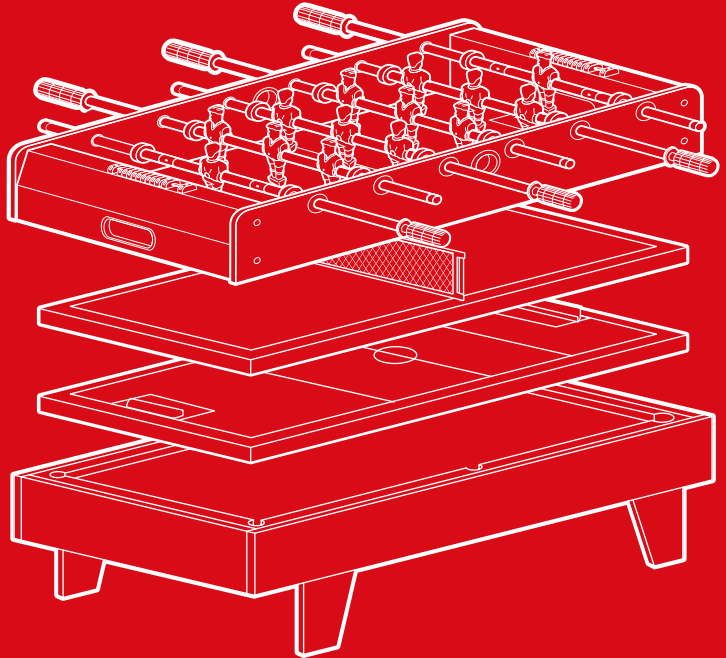




bestchoiceproducts



INSTRUCTION MANUAL

4-in-1 Table Game Set

! NOTICE

Please retain these instructions for future reference.

- Do not stand on or use any part of this set as a step ladder.
- Firmly secure all bolts, screws, and knobs before use.
- Reconfirm that all bolts, screws, and knobs are secure every 90 days.
- Be aware that some parts are heavy and have sharp edges.
- Do not use or store this item in the proximity of open flame or flammable/combustible chemicals.
- If any parts are missing, broken, damaged, or worn, stop using this product until repairs are made and/or factory replacement parts are installed.
- Do not use this item in a way inconsistent with the manufacturer's instructions as this could void the product warranty.

TOOLS REQUIRED



ALLEN WRENCH
(PROVIDED)

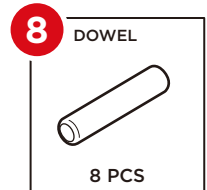
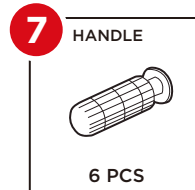
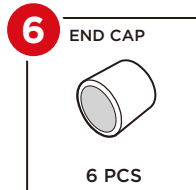
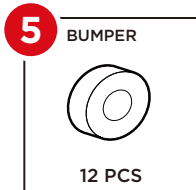
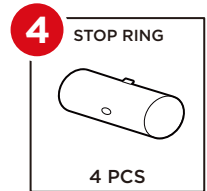
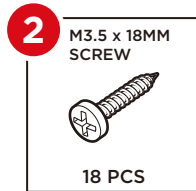
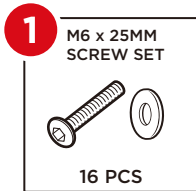


1 PERSON
ASSEMBLY



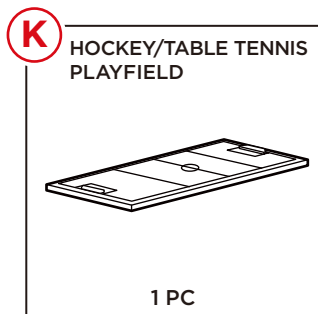
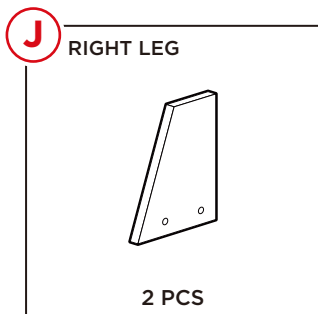
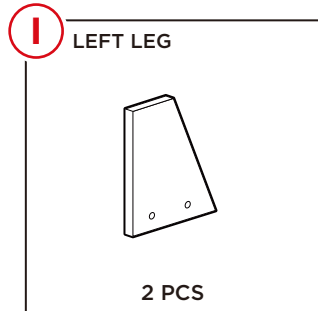
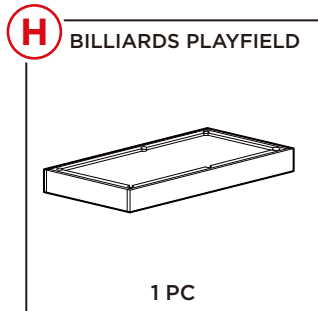
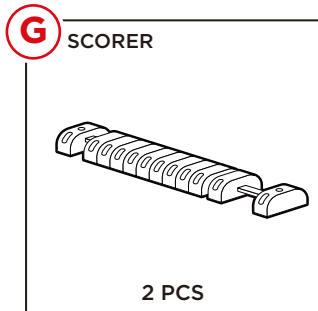
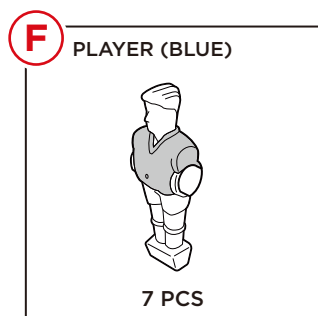
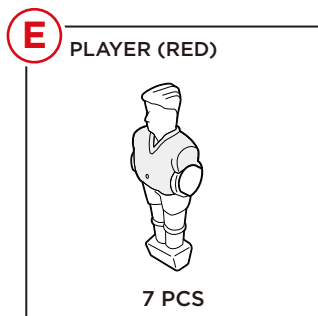
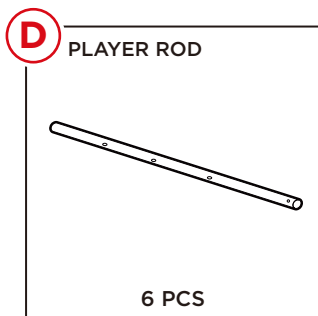
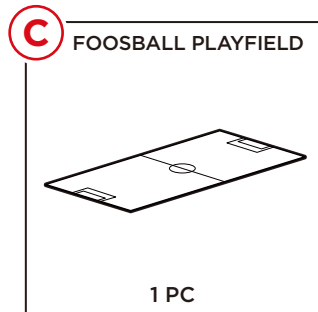
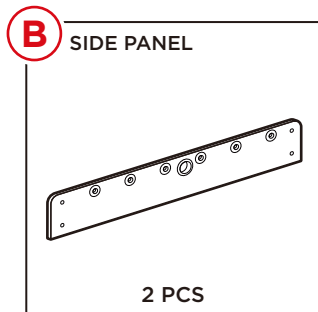
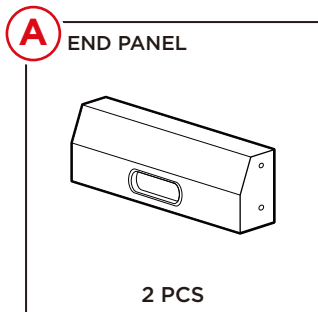
UP TO 60 MIN.
ASSEMBLY

HARDWARE



Fasten screws loosely
during assembly. Do not
firmly tighten screws until
item is fully assembled.

PARTS



ACCESSORIES

CUE STICK



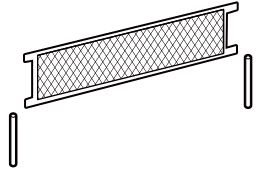
2 PCS

TRIANGLE



1 PC

TABLE TENNIS NET



1 SET

TABLE TENNIS
PADDLE/BALLS



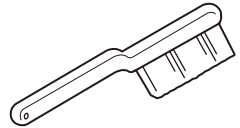
1 SET

SOCCER BALL



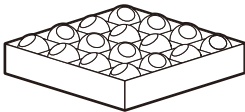
2 PCS

BRUSH



1 PC

BILLIARD BALLS



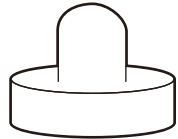
1 SET

HOCKEY PUCK



2 PCS

HOCKEY PUSHER



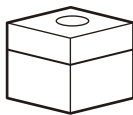
2 PCS

FELT PAD



2 PCS

CHALK



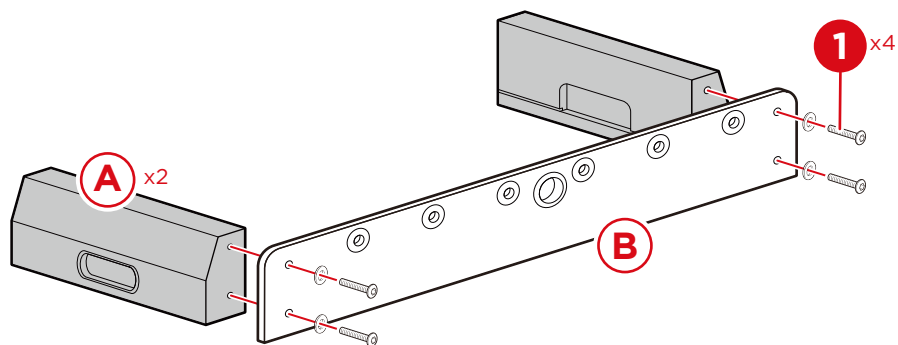
2 PCS

PRODUCT ASSEMBLY

1

Attach a part B side panel to two part A end panels with four part 1 screw sets.

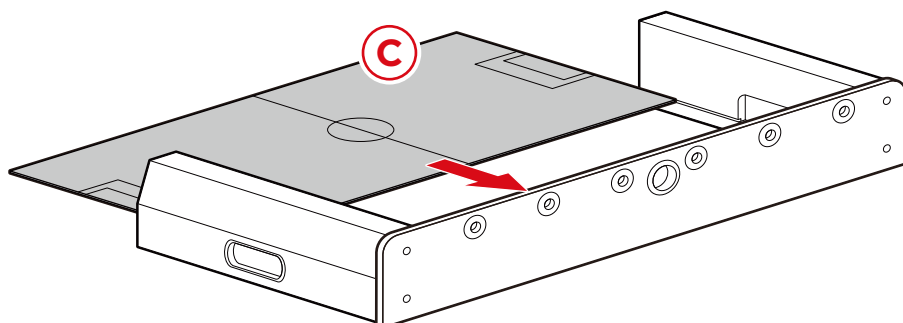
NOTE: Do not fully tighten screws in this step.



2

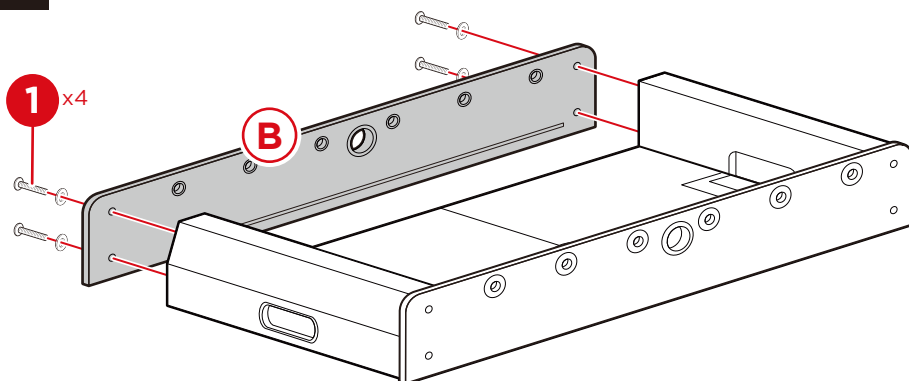
Slide the part C foosball playfield into the designated slots on the end panels.

NOTE: If necessary, adjust the spacing of the end panels so the playfield properly slides in.



3

Attach the other part B side panel with four part 1 screw sets.

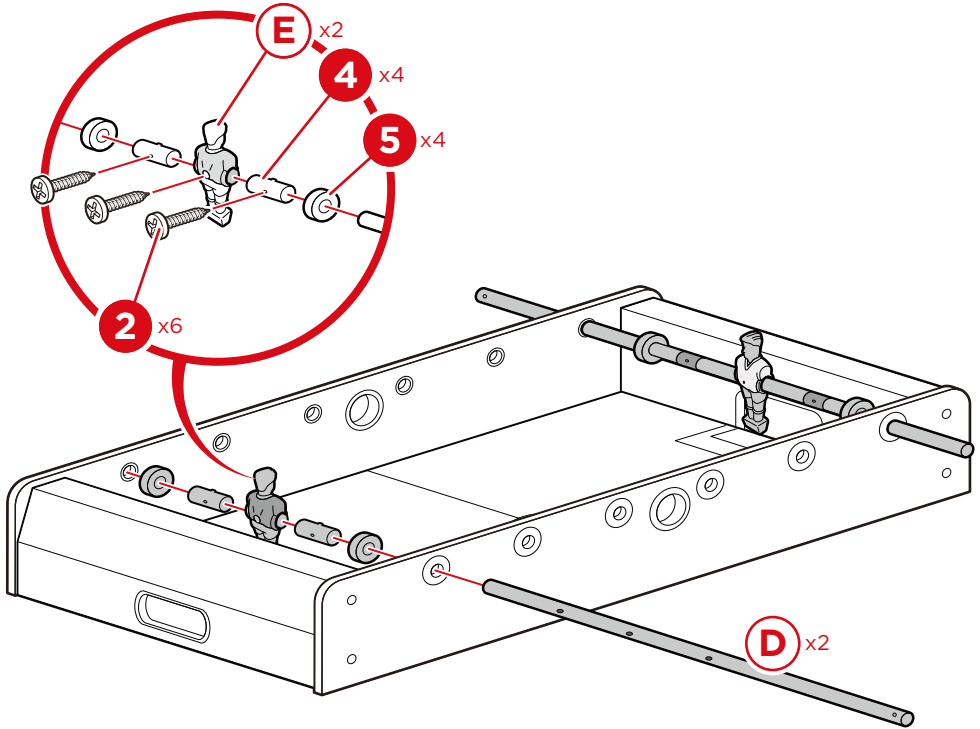


PRODUCT ASSEMBLY

4

Insert a part D player rod into a goalie slot, then slide a part 5 bumper, part 4 stop ring, part E red player, another stop ring, and bumper onto the rod. Attach the parts to the rod with three part 2 screws.

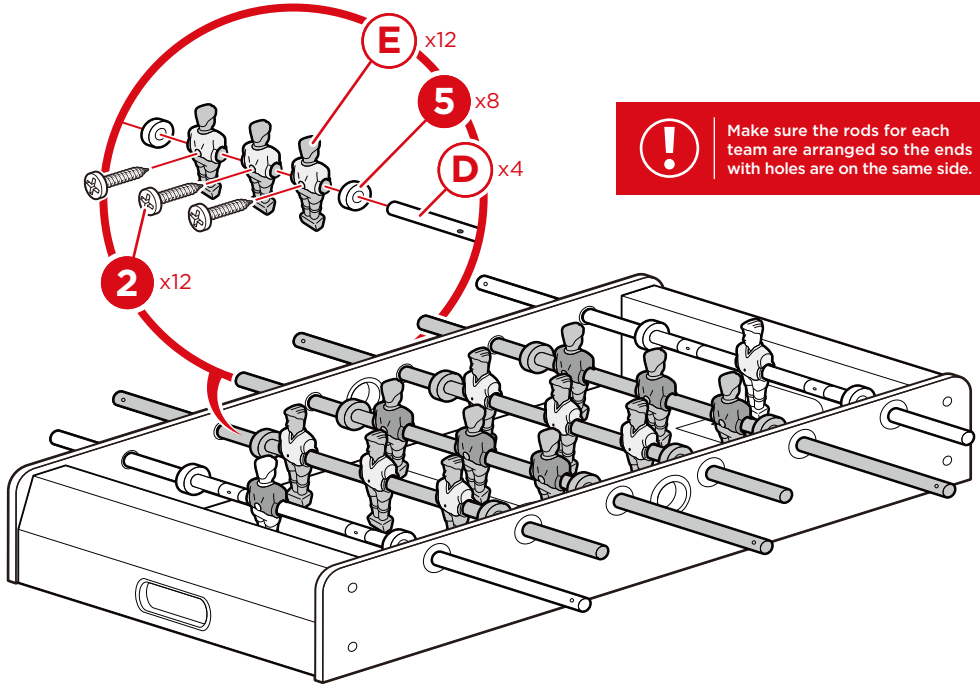
Repeat to assemble the other goalie player rod.



PRODUCT ASSEMBLY

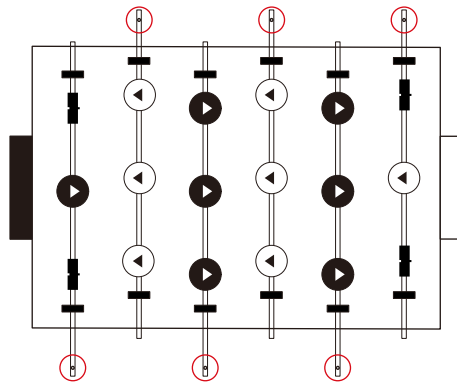
5

Insert a part D player rod into a slot, then slide a part 5 bumper, three part E or part F red/blue players, and another bumper onto the rod. Attach the players to the rod with three part 2 screws. Repeat to assemble three additional player rods.



Make sure the rods for each team are arranged so the ends with holes are on the same side.

Ensure that rods are arranged according to the diagram and players on the same team face the same direction.

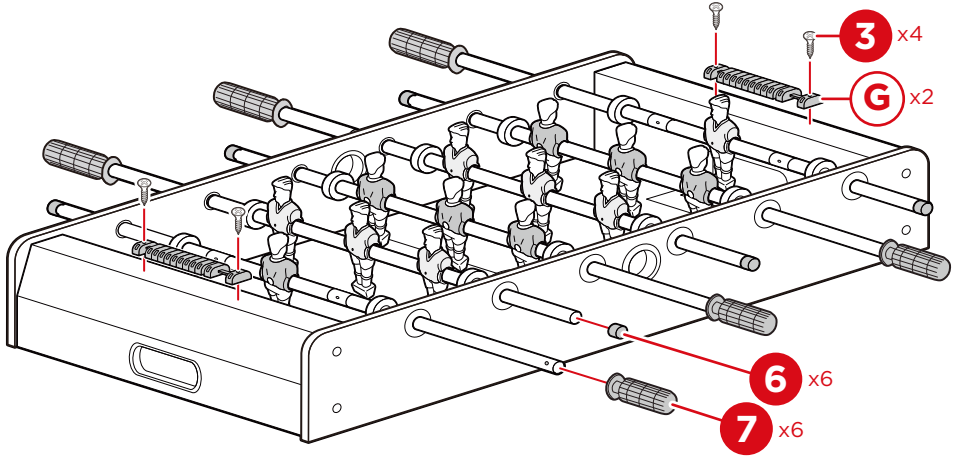


PRODUCT ASSEMBLY

6

Attach two part G scorers with four part 3 screws.

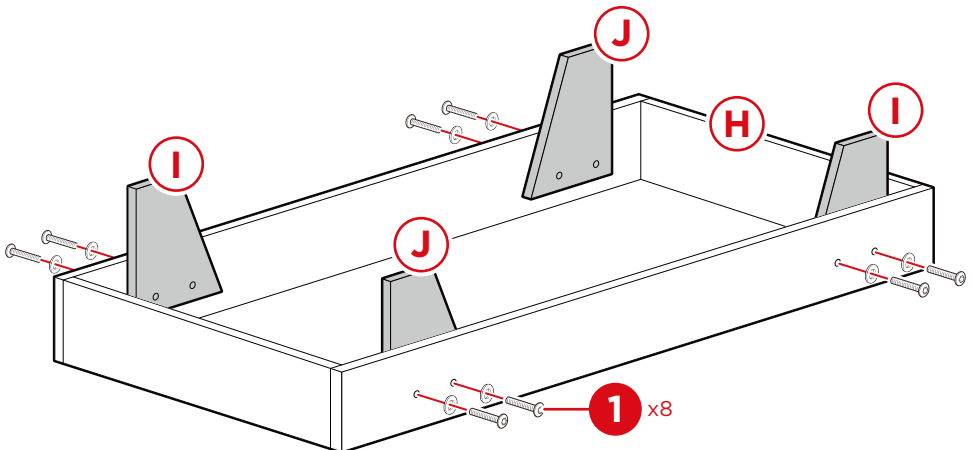
Slide six part 7 handles onto the ends of rods with a hole. Slide six part 6 end caps onto the ends of rods without a hole.



If necessary, use a drop of liquid soap to help handles slide onto the rods.

7

Flip the part H billiards playfield over. Attach two part I left legs and two part J right legs with eight part 1 screw sets.



PLAYING GAMES

Rearrange the game table depending on the game you would like to play.

Billiards:

- Remove all playfields to play billiards.

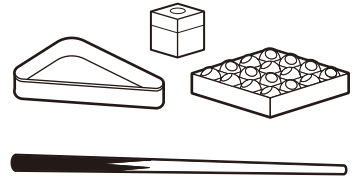
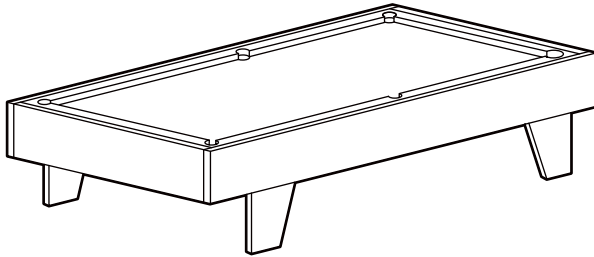
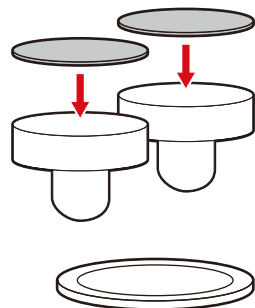
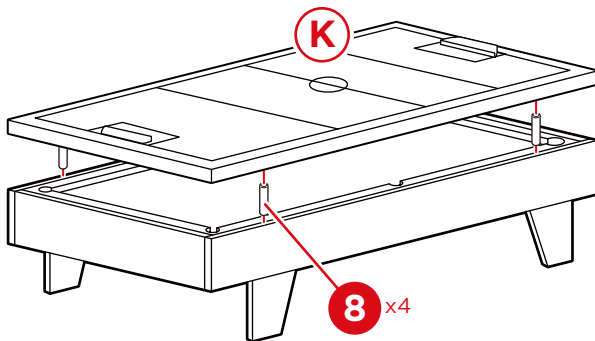


Table Hockey:

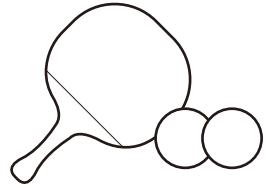
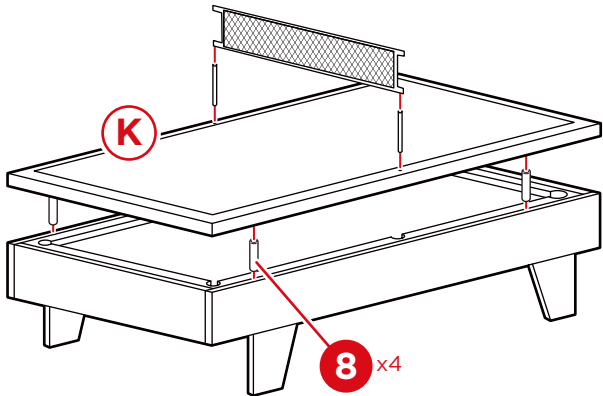
- Place the part K hockey playfield on the billiards table. Use four part 8 dowels to secure the playfield.
- Adhere the felt pads to the hockey pushers.



PLAYING GAMES

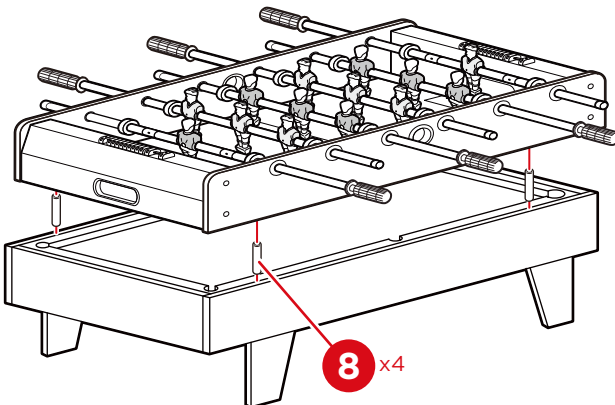
Table Tennis:

- Flip part K to the table tennis playfield and place it on the billiards table. Use four part 8 dowels to secure the playfield.
- Install the table tennis net in the designated holes.



Foosball:

- Place the foosball assembly on the billiards table or hockey/table tennis playfield. Use four part 8 dowels to secure the foosball assembly.



Earn points while you shop. Join today!

bestchoiceproducts
rewards

Join | Earn | Redeem

Give your friends 15% off their first order! For each successful referral you'll receive 100 points.

bestchoiceproducts.com



HELP CENTER



Question about your product? We're here to help. Visit us at:

help.bestchoiceproducts.com



Chat Support



Product Inquiry



Orders FAQ



Product Assembly



Returns & Refunds

PRODUCT WARRANTY INFORMATION

All items can be returned for any reason within 60 days of the receipt and will receive a full refund as long as the item is returned in its original product packaging and all accessories from its original shipment are included. All returned items will receive a full refund back to the original payment method. All returned items will not be charged a re-stocking fee.

All returned items require an RA (Return Authorization) number, which can only be provided by a Best Choice Products Customer Service Representative when the return request is submitted. Items received without an RA may not be accepted or may increase your return processing time. Once an item has been received by Best Choice Products, refunds or replacements will be processed within 5 business days.

All returns must be shipped back to the Best Choice Products Return Center at the customer's expense. If the reason for return is a result of an error by Best Choice Products then Best Choice Products will provide a pre-paid shipping label via email. Boxes for return shipping will not be provided by Best Choice Products, and is the customer's responsibility to either use the original shipping boxes or purchase new boxes.

Pictures may be required for some returns to ensure an item is not damaged prior to its return. Items returned are not considered undamaged until they are received by Best Choice Products and verified as such. All damages to items are the customer's responsibility until the item has been received by and acknowledge by Best Choice Products as undamaged.



WARNING

Manufacturer and seller expressly disclaim any and all liability for personal injury, property damage or loss, whether direct, indirect, or incidental, resulting from the incorrect attachment, improper use, inadequate maintenance, or neglect of this product.