

For Residential and Commercial Applications

Job Name:

Engineer/Architect:

Job Location:

Wholesaler:

Submittal Date:

Contractor:

R04/14/34X Multi-Turn Straight Stop – Sweat x Compression

Use: For use with potable water systems in accessible locations only. Not intended for recirculating water systems that produce continuous use temperatures above 115°F. For those applications, use our KT™ series ball stops.

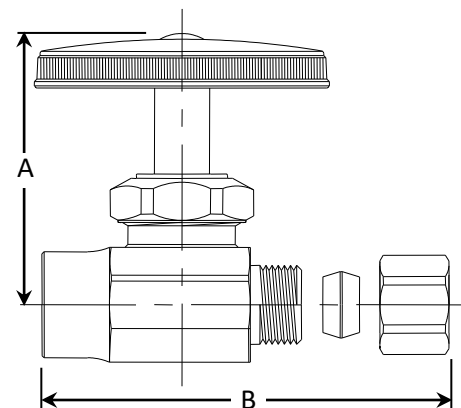
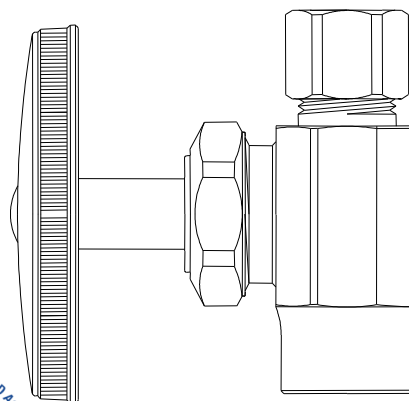
Design Features:

- **Machined one-piece brass body** provides strength, durability and long-lasting performance.
- **Oval knurled handle** provides a secure grip and smooth on/off operation.
- **Easy-to-remove handle** with screw attachment helps protect against accidental stop operation during rough-ins.
- **No-lead brass material** meets compliance for safe drinking.

Operating Specifications:

Temperature: 40° - 160°F

Pressure: 125 PSI maximum



STOP MATERIAL SPECIFICATIONS

Body	Brass or brass, plated
Stem	Brass or brass, plated
Bib & Packing Washers	Rubber
Packing Nut	Brass or brass, plated
Handle	Zinc, die cast plated
Handle Screw	Steel, zinc plated
Compression Sleeve	Brass
Compression Nut	Brass or brass, plated

Part Listing:

- R04X C 1/2" Nom Sweat x 1/4" OD Compression, Chrome Plated
- R04X R 1/2" Nom Sweat x 1/4" OD Compression, Rough Brass
- R04X R1 1/2" Nom Sweat x 1/4" OD Compression, Rough Brass, Window Tray
- R14X C 1/2" Nom Sweat x 3/8" OD Compression, Chrome
- R14X C1 1/2" Nom Sweat x 3/8" OD Compression, Chrome, Window Tray
- R14X CD 1/2" Nom Sweat x 3/8" OD Compression, Chrome, Carded
- R14X R 1/2" Nom Sweat x 3/8" OD Compression, Rough Brass
- R14X R1 1/2" Nom Sweat x 3/8" OD Compression, Rough Brass, Window Tray
- R34X C 1/2" Nom Sweat x 1/2" OD Compression, Chrome
- R34X R 1/2" Nom Sweat x 1/2" OD Compression, Rough Brass

PART DIMENSIONS (Inches)

Model	DIM. A	DIM. B
R04X	1.56	1.95
R14X	1.56	2.00
R34X	1.56	2.06

Listings & Certifications:

- IAPMO listed to ASME A112.18.1 / CSA B125.1 (includes NSF/ANSI 372 and NSF/ANSI/CAN 61)



This specification and all information contained herein is the confidential and exclusive property of BrassCraft Manufacturing Company and shall not be disclosed to others without the written consent of BrassCraft. This specification must be returned to BrassCraft if requested.

**Products shown may differ from those available in the Canadian market.*