

# Kräus®

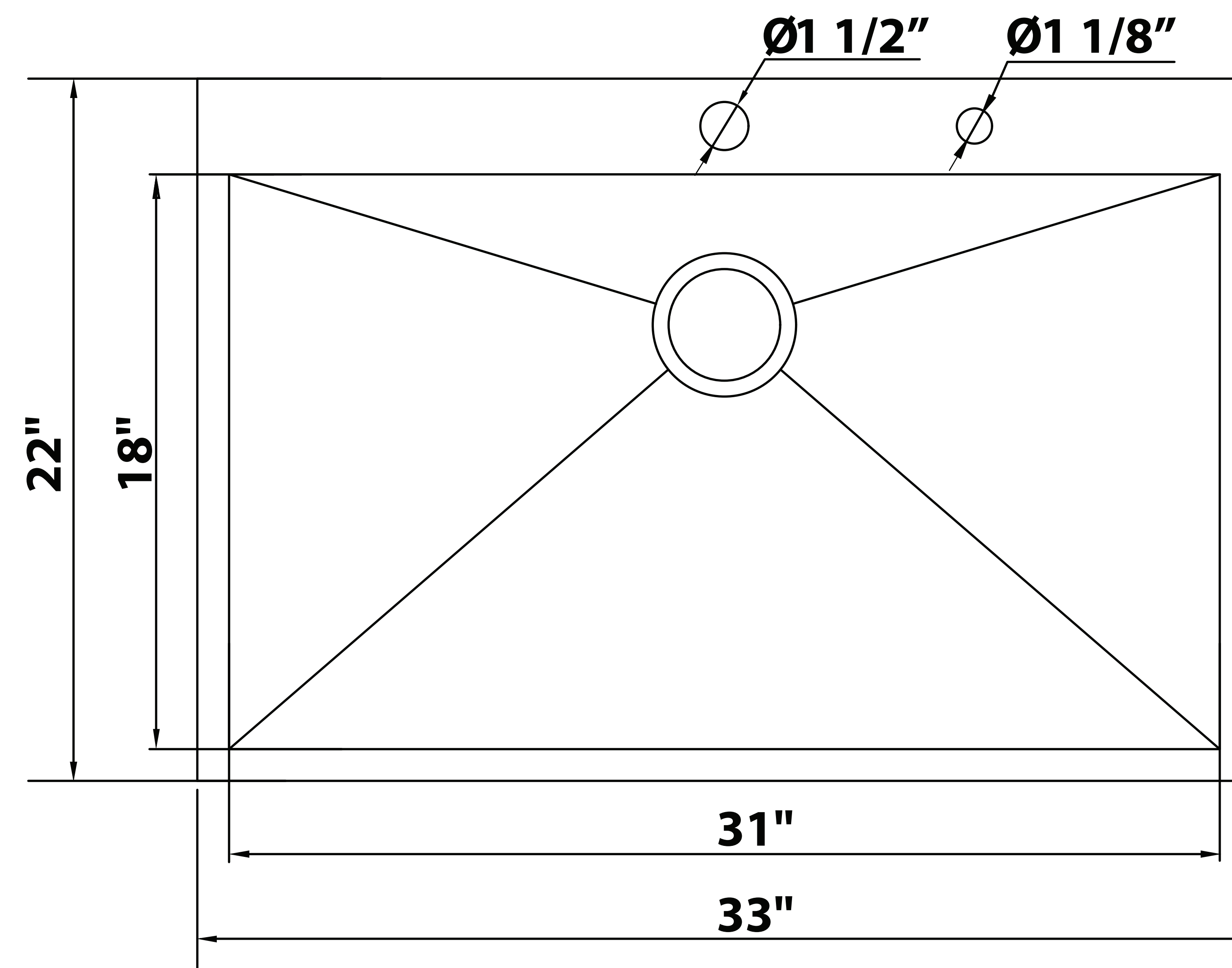
www.kraususa.com

**Model No. KP1TS33S-2**

**Topmount Template**

Pro Hotline: 516.801.8955

Customer Service: 800.775.0703



**NOTE:** Cutout template is provided as a guide **ONLY** and must be checked against actual sink to verify correct fit.