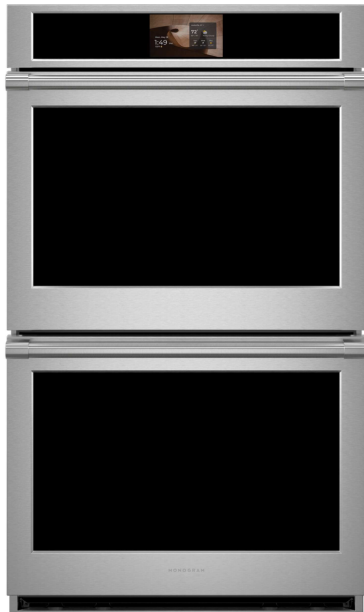


MONOGRAM 30" BUILT-IN DOUBLE OVEN WITH IN-OVEN CAMERA

ZTDX1DPSZSS



TWIN CONVECTION WITH DIRECT AIR

Achieve beautifully cooked, delicious meals every time with an expertly engineered third heating element and fan system for even heat and consistent results.

IN-OVEN CAMERA

Stay connected to your culinary creations wherever you are. The built-in camera, accessible through the SmartHQ™ app, lets you monitor cooking progress remotely and can recognize select foods and recommend ideal Precision Cooking modes.

BRILLIANT 7" LCD DISPLAY

Easily adjust oven settings on a vibrant, customizable display that allows you to personalize your wallpaper, check weather updates, manage multiple timers, maintain a shared shopping list and connect your phone via Bluetooth to play music right from your oven.

INTEGRATED COOKING CONTENT

Discover recipe inspiration, guided cooking experiences and expert culinary tips from trusted partners like King Arthur Baking — helping you build confidence and get more from your oven.

DIGITAL RECIPE BOX

Elevate your culinary creativity with the digital recipe box, allowing you to save your favorite recipes directly to the oven screen or the SmartHQ™ app. Store recipes from popular food websites or upload photos of your handwritten recipes for effortless access and organization.

PRECISION COOKING MODES

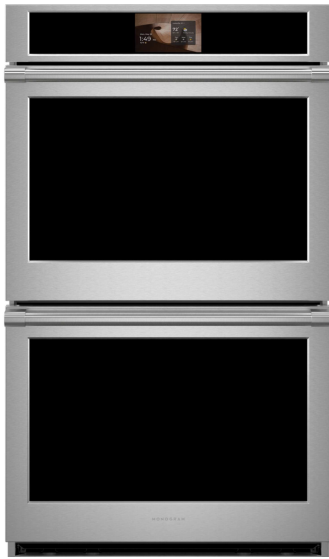
Master new recipes and perfect favorite dishes from prime rib to salmon using this ultra-smart system that automatically tracks cooking progress, modifies temperatures and adjusts cook times.

MORE WAYS TO MASTER EVERY MEAL

A full suite of premium cooking modes— from Slow Roast to No-Preheat Air Fry — delivers more capability in one beautifully integrated appliance.

EFFORTLESS SMART CONTROL

Enhance your wall oven with seamless remote access through the SmartHQ™ app, along with real-time alerts and over-the-air updates designed to help your oven continue improving over time. Plus, voice control through Alexa or Google Home adds hands-free convenience to everyday cooking.



SPECIFICATIONS

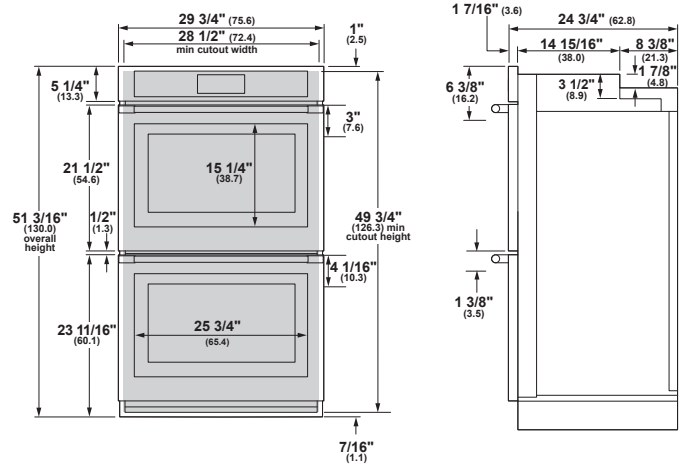
Overall Width	29 3/4" (75.6 cm)
Overall Height	51 3/16" (130.0 cm)
Overall Depth Including Handle	27 5/16" (70.6 cm)
Oven Door Clearance	20 9/16" (52.3 cm)
Overall Oven Interior Capacity	10.0 cu. ft. (283.2 liters)
Oven Interior Dimensions (W x H x D) each oven	25" x 17 3/8" x 20 1/4" (63.5 x 44.1 x 51.4 cm)
Minimum Cabinet Width*	30" (76.2 cm)
Minimum Cabinet Depth*	24" (61.0 cm)
Minimum Base Support	400 lbs. (181 kg)
Cutout Width*	28 1/2" (72.4 cm) Min 28 5/8" (72.7 cm) Max
Cutout Height*	49 3/4" (126.3 cm) Min 51 15/16" (131.9 cm) Max
Cutout Depth*	23 1/2" (59.7 cm) Min
Volts/Hertz/Amps	240/208 V AC, 60 Hz, 40A
Conduit Length	48" (72" available special order: WB18T10398)
Electrical Rating	6.8 kW at 208V 9.0 kW at 240V
Shipping Weight	390 lbs. (178 kg)

* Additional space will be needed for flush installation.

ATTENTION ELECTRICIAN:

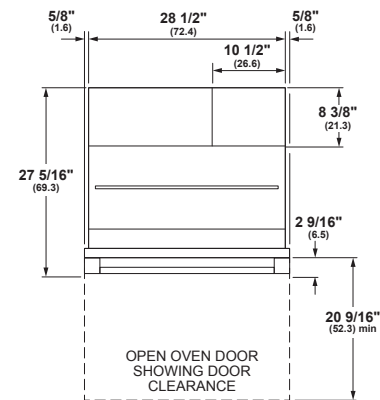
A 240/208V, 60Hz, 40 Amp circuit is required. An individual properly grounded branch circuit or circuit breaker is required. Hardware junction box is required for built-in product.

OVERALL DIMENSIONS



FRONT VIEW (SHOWING CUTOUT OVERLAP)

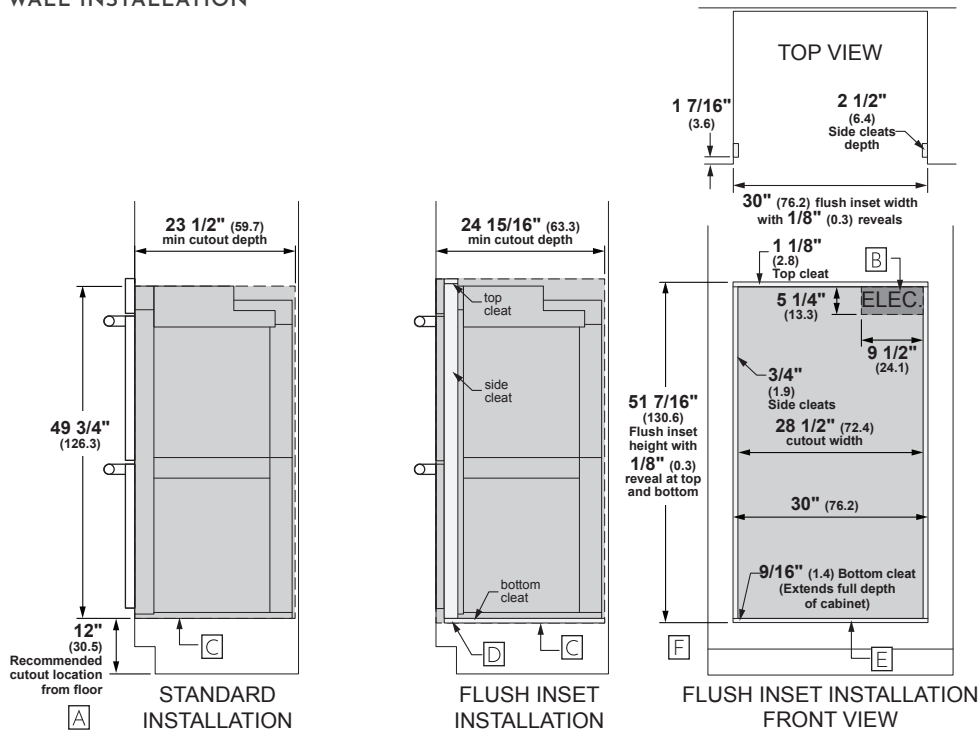
SIDE VIEW



TOP VIEW

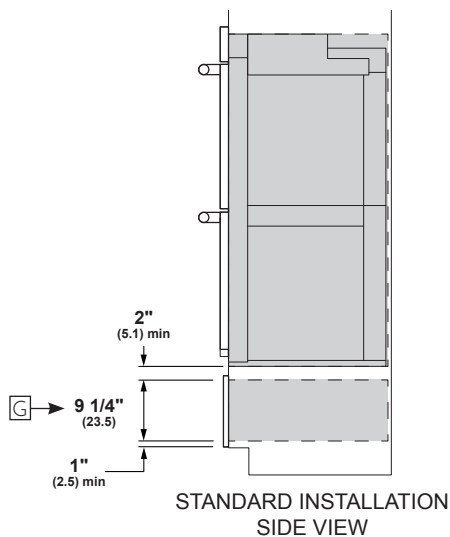
Dimensions in parentheses are in centimeters unless otherwise noted. Actual product dimensions may vary due to manufacturing tolerances.

WALL INSTALLATION



Allow 1/8" (0.3) clearances from side edges of oven door.

INSTALLATION OVER WARMING DRAWER



For more details, refer to the installation instructions for this product on Monogram.com. Dimensions in parentheses are in centimeters unless otherwise noted.

For questions about your appliance, please call 1-800-626-2000.

HELPFUL TIPS

- A Based on a user height of 5' 6" to 5' 10"
- B Junction box location (May also be located in adjacent cabinet.)
- C Platform must be able to support 400 lbs (181 kg)
- D Cabinet surface must be an appearance finished surface for flush installation
- E Cleats may be visible and should be finished to match cabinetry
- F If optional flush install vent trim accessory ZX30VT2 is ordered, please adjust cutout height to 51-1/8" and bottom cleat height to 1/4"
- G Dimension per Warming Drawer requirement